



US00D812293S

(12) **United States Design Patent**
Fischer

(10) **Patent No.:** **US D812,293 S**
(45) **Date of Patent:** **** Mar. 6, 2018**

- (54) **CIGAR CUTTER INCORPORATING A BOTTLE OPENER**
- (71) Applicant: **Brett William Fischer**, Lee's Summit, MO (US)
- (72) Inventor: **Brett William Fischer**, Lee's Summit, MO (US)
- (**) Term: **15 Years**
- (21) Appl. No.: **29/596,069**
- (22) Filed: **Mar. 4, 2017**
- (51) **LOC (11) Cl.** **27-99**
- (52) **U.S. Cl.**
USPC **D27/195**
- (58) **Field of Classification Search**
USPC D27/100, 101, 162-170, 172-195; D8/18
CPC A24F 1/30; A24F 13/26
See application file for complete search history.

(56) **References Cited**

U.S. PATENT DOCUMENTS

D270,485 S *	9/1983	Cervantes	D27/195
D314,639 S *	2/1991	Rousseau	D27/195
D375,576 S *	11/1996	Mesco	D27/195
D386,814 S *	11/1997	Mesco	D27/195
D396,125 S *	7/1998	Chen	D27/195
D397,827 S *	9/1998	Reveley	D27/195
D398,072 S *	9/1998	Singletary	D27/195
D398,713 S *	9/1998	Poosikian	D21/793
D409,794 S *	5/1999	Mesco	D27/195
D409,795 S *	5/1999	White	D27/195
D410,109 S *	5/1999	Van Keppel	D27/195
D413,408 S *	8/1999	White	D27/195
D414,894 S *	10/1999	Chen	D27/195
D426,344 S *	6/2000	Baldesberger	D27/195
D455,521 S *	4/2002	Park	D27/195
D458,409 S *	6/2002	Najar	D27/143
D493,012 S *	7/2004	Rich	D27/183

D546,000 S *	7/2007	Kan	D27/195
D569,548 S *	5/2008	Smith	D27/195
D597,251 S *	7/2009	Smith	D27/195
D600,084 S *	9/2009	Hbaidu	D27/195
D602,632 S *	10/2009	Smith	D27/195
D605,351 S *	12/2009	Smith	D27/195
D616,604 S *	5/2010	Chuan	D27/195
D617,496 S *	6/2010	Wong	D27/195
D623,352 S *	9/2010	Melgaard	D21/793
D630,794 S *	1/2011	Cohen Harel	D27/195
D715,610 S *	10/2014	Almsberger	D8/18
9,055,769 B2 *	6/2015	Liao	A24F 13/26
D743,236 S *	11/2015	Fischer	D8/99
D751,360 S *	3/2016	Oakley	D8/18
D753,877 S *	4/2016	Fischer	D27/195
D757,359 S *	5/2016	Van Keppel	D27/195
D782,892 S *	4/2017	Fischer	D8/99

(Continued)

Primary Examiner — Brandon M Rosati
Assistant Examiner — Marissa J Cash

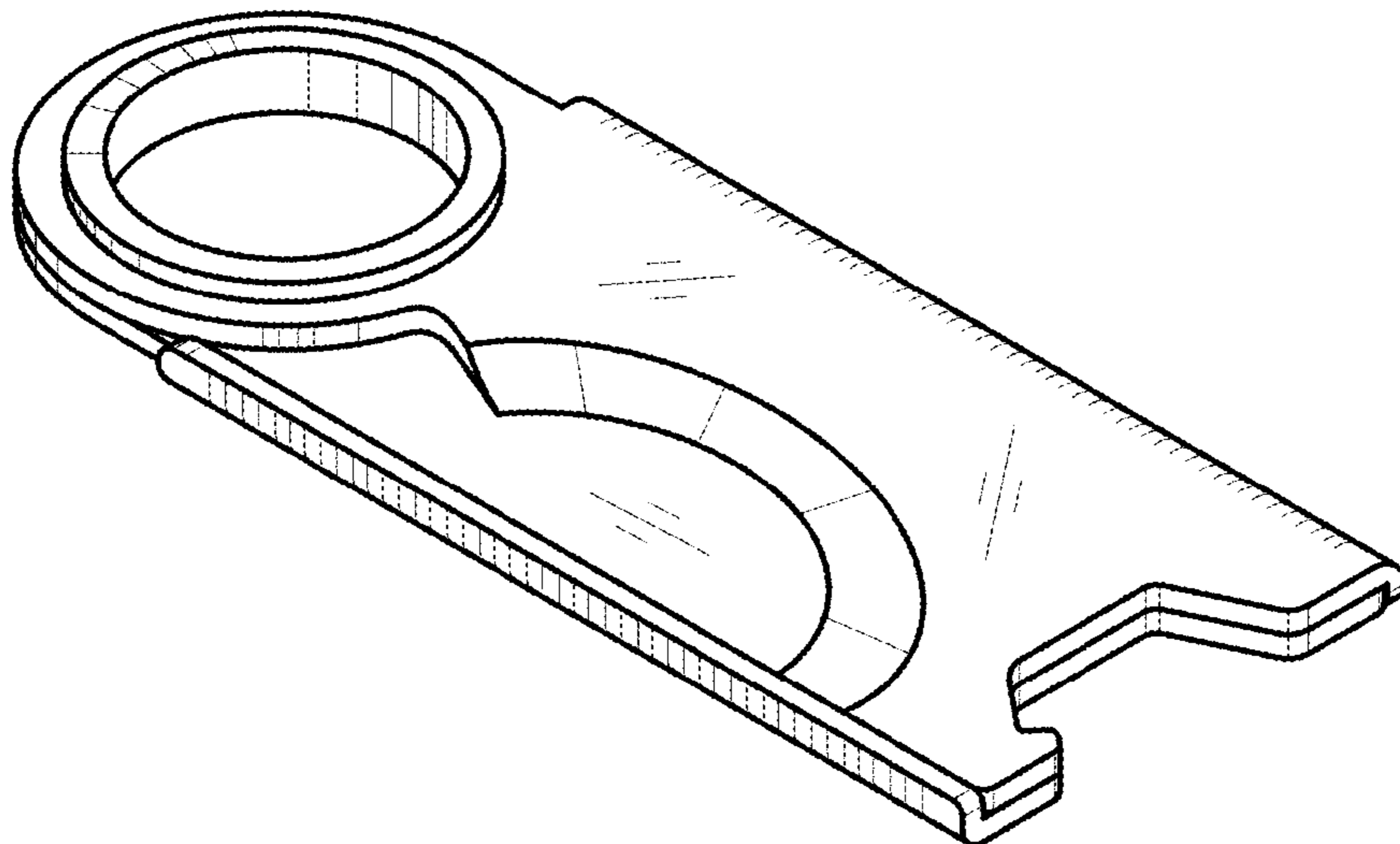
(57) **CLAIM**

The ornamental design for a cigar cutter incorporating a bottle opener, as shown and described.

DESCRIPTION

FIG. 1 is a top perspective view of a cigar cutter incorporating a bottle opener;
 FIG. 2 is a top plan view thereof;
 FIG. 3 is a bottom plan view thereof;
 FIG. 4 is a front elevation view thereof;
 FIG. 5 is a back elevation view thereof;
 FIG. 6 is a left elevation view thereof;
 FIG. 7 is a right elevation view thereof; and,
 FIG. 8 is an environmental drawing showing the cigar cutter opening a bottle.
 The broken lines showing a bottle and bottle cap depict environmental subject matter only and form no part of the claimed design.

1 Claim, 3 Drawing Sheets



(56)

References Cited

U.S. PATENT DOCUMENTS

2006/0272156 A1* 12/2006 Kan A24F 13/26
30/109
2007/0000133 A1* 1/2007 Kasuli A45F 5/02
30/113
2007/0089299 A1* 4/2007 Belaubre A24F 13/26
30/112
2009/0113718 A1* 5/2009 Smith A24F 13/26
30/113
2011/0302785 A1* 12/2011 Chuan A24F 13/26
30/113

* cited by examiner

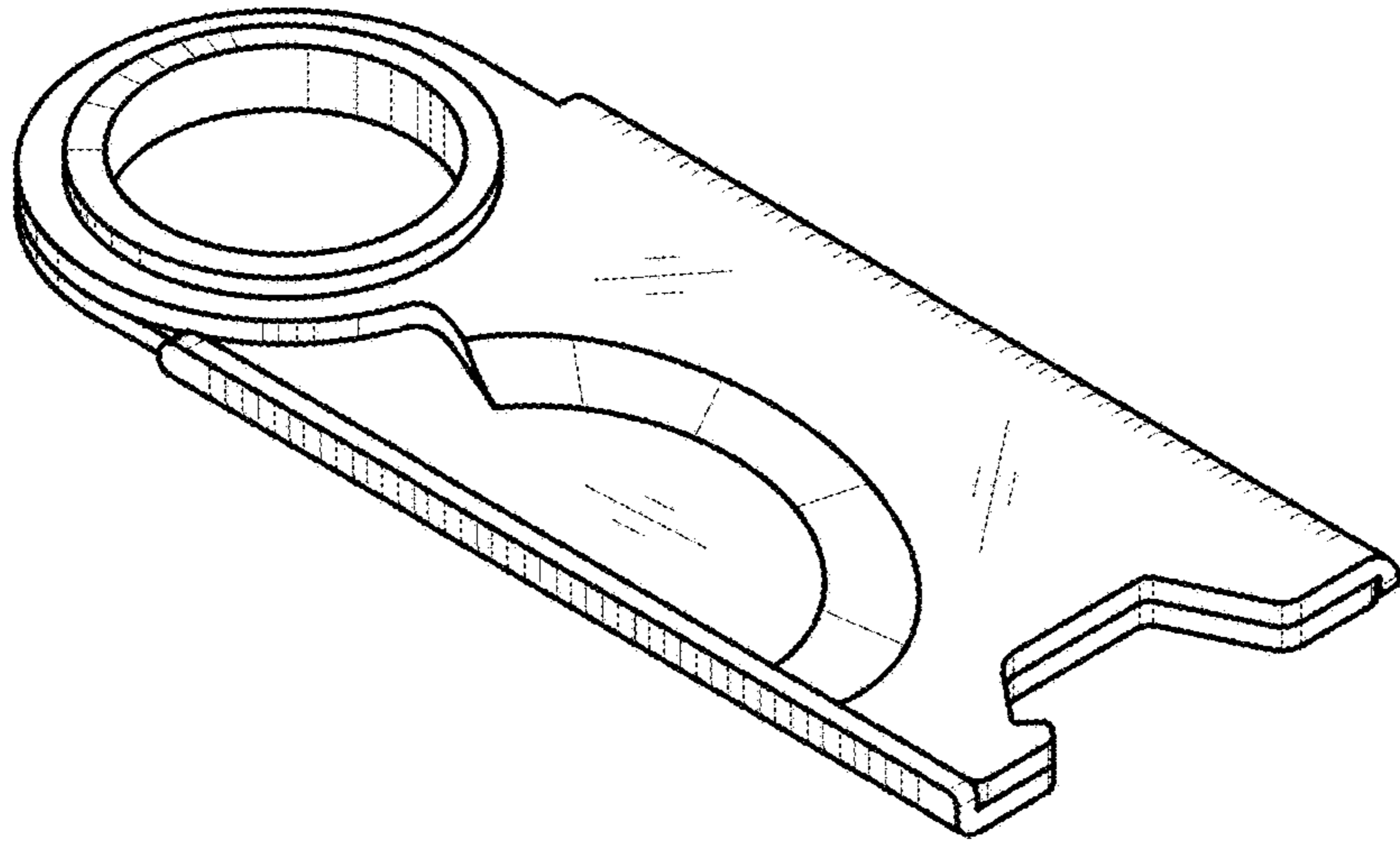


Fig. 1

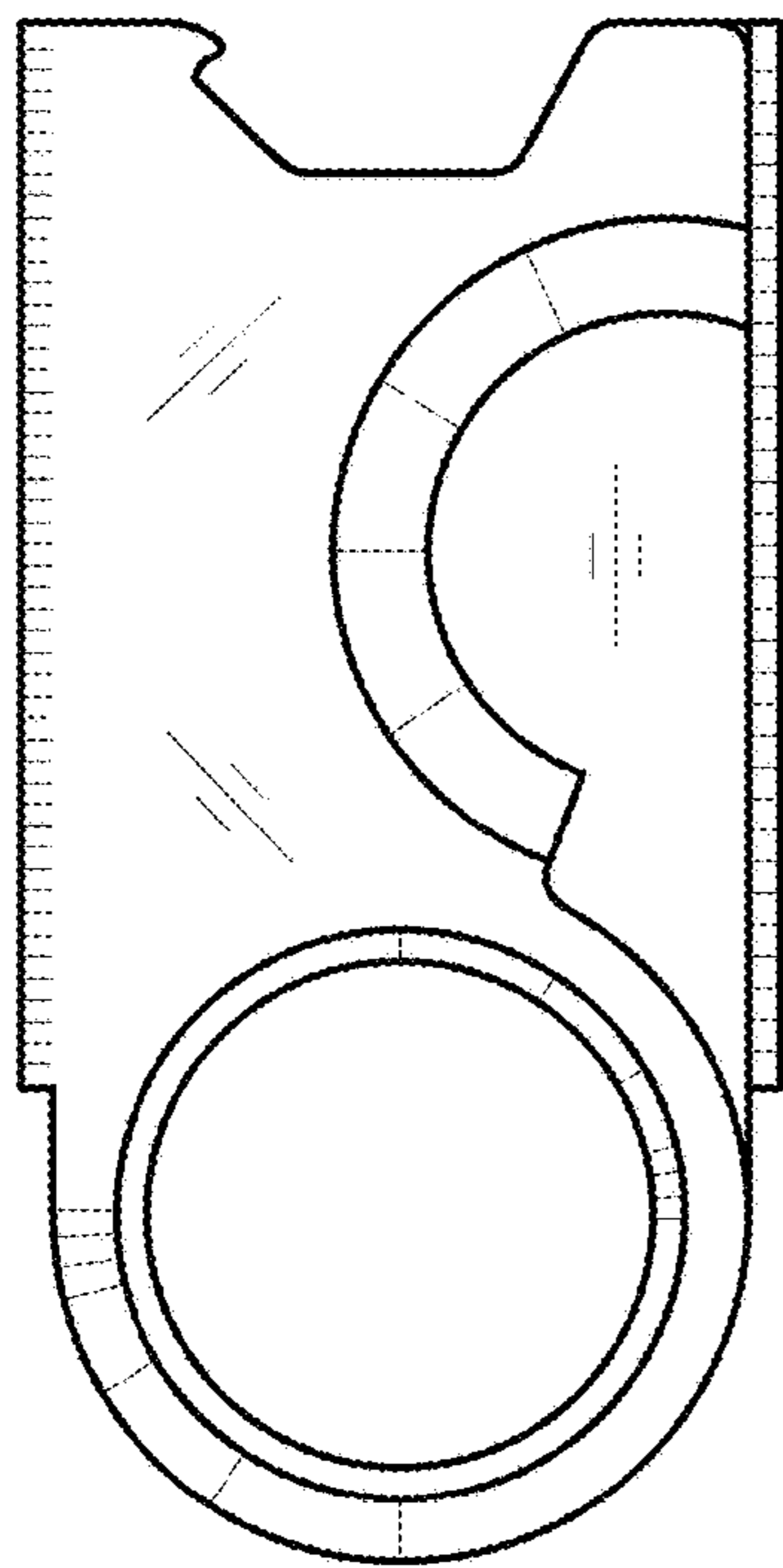


Fig. 2

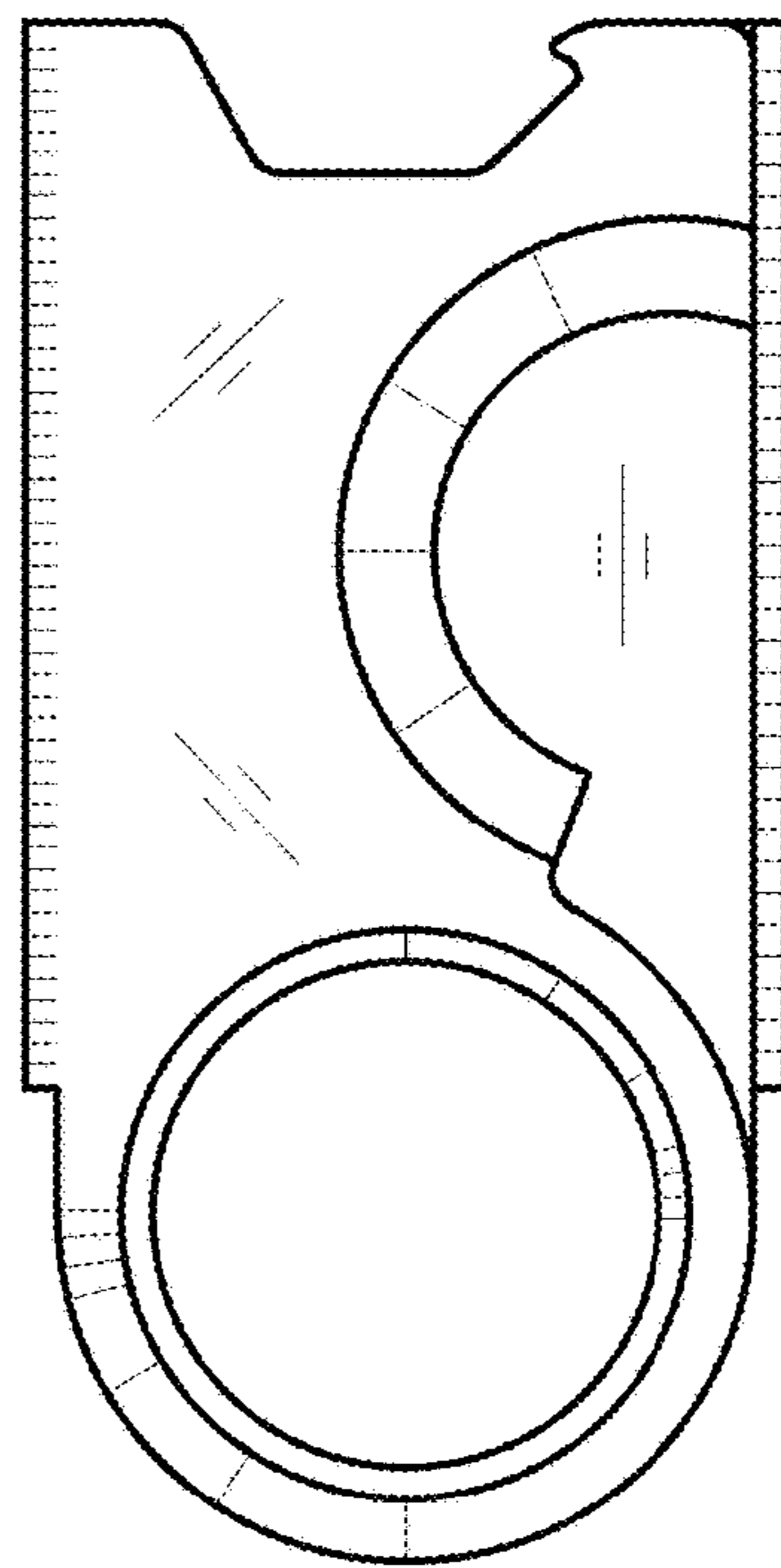


Fig. 3



Fig. 4



Fig. 5

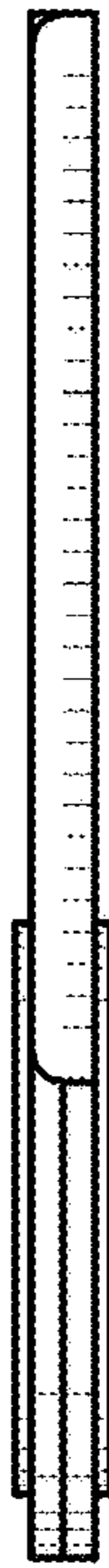


Fig. 6



Fig. 7

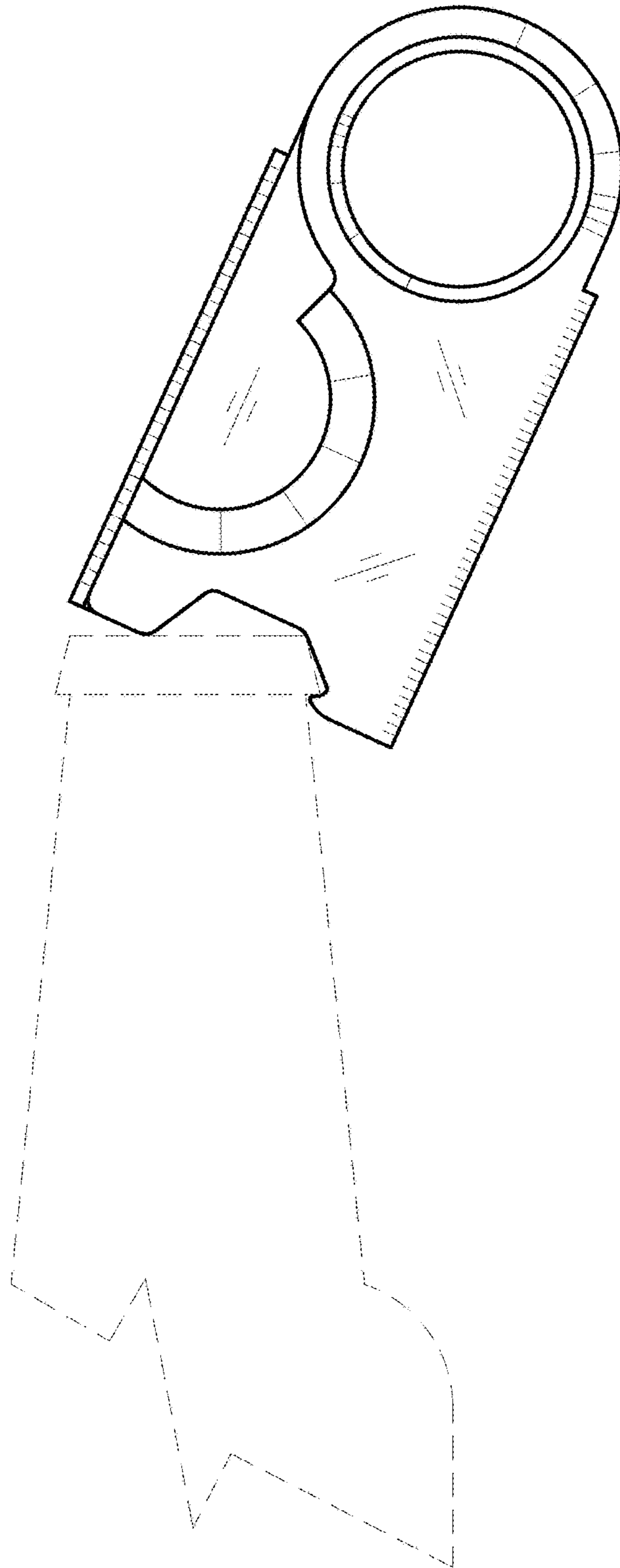


Fig. 8