



US00D812292S

(12) **United States Design Patent**  
**Moore**

(10) **Patent No.:** **US D812,292 S**  
(45) **Date of Patent:** **\*\* Mar. 6, 2018**

(54) **CIGARETTE HOLDER**  
(71) Applicant: **Emmett Moore**, Coral Gable, FL (US)  
(72) Inventor: **Emmett Moore**, Coral Gable, FL (US)  
(\*\*) Term: **15 Years**  
(21) Appl. No.: **35/001,117**  
(22) Filed: **Nov. 24, 2015**

4,904,108 A \* 2/1990 Wendel ..... E04B 1/1912  
403/170  
5,956,917 A \* 9/1999 Reynolds ..... E04B 1/3211  
403/174  
6,491,563 B1 \* 12/2002 Bailey ..... A63H 33/062  
446/120  
D613,905 S \* 4/2010 Sheffield ..... D27/187  
D738,039 S \* 9/2015 Chen ..... D27/183  
D790,128 S \* 6/2017 Khoury ..... D27/183

\* cited by examiner

(80) **Hague Agreement Data**  
Int. Filing Date: **Nov. 24, 2015**  
Int. Reg. No.: **DM/091964**  
Int. Reg. Date: **Nov. 24, 2015**  
Int. Reg. Pub. Date: **Aug. 19, 2016**

*Primary Examiner* — Richard E Chilcot  
(74) *Attorney, Agent, or Firm* — Lott & Fischer, PL

(51) **LOC (11) Cl.** ..... **27-06**  
(52) **U.S. Cl.**  
USPC ..... **D27/183**  
CPC ..... **A24F 13/02 (2013.01)**

(57) **CLAIM**

The ornamental design for cigarette holder, as shown and described.

(58) **Field of Classification Search**  
USPC ..... D7/102–110, 125–138, 172–183, 189;  
131/231–242, 242.5, 243; 403/170–174;  
52/81.1–81.5  
CPC . A24F 13/02; A24F 7/00; A24F 29/00; A24D  
3/00; A24C 5/56  
See application file for complete search history.

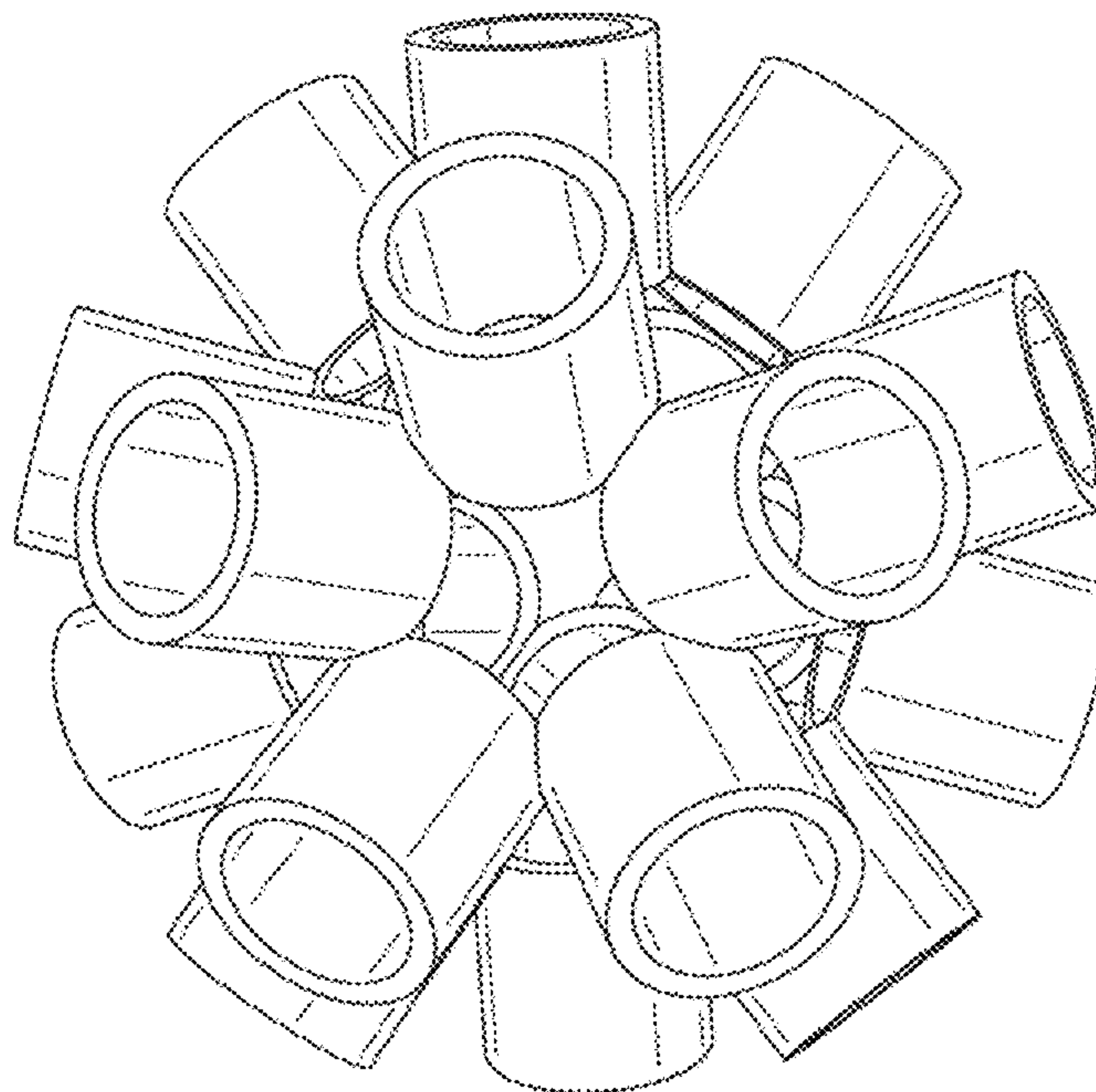
**DESCRIPTION**

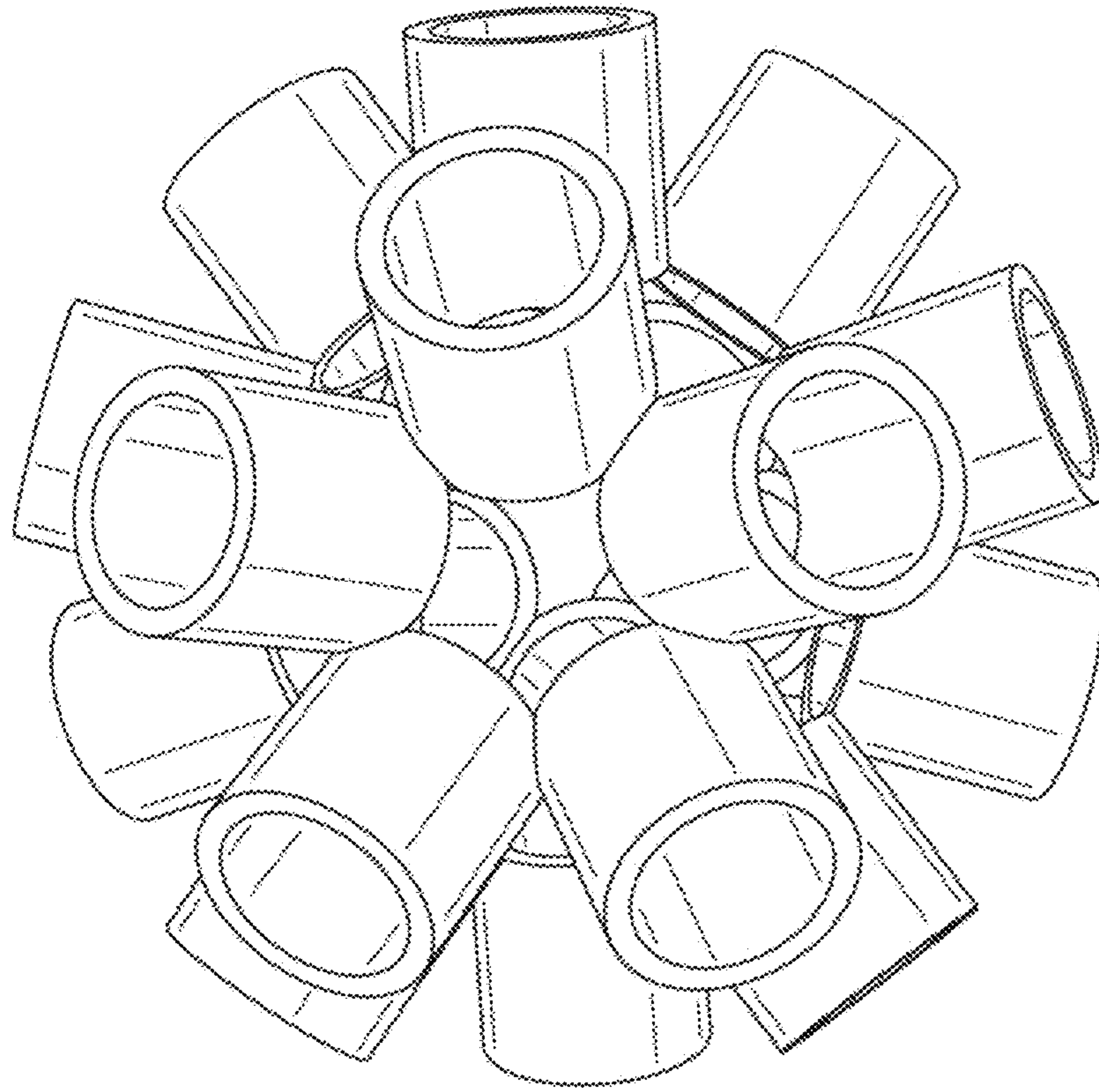
- 1. Cigarette holder
- 1.1 : Perspective
- 1.2 : Front
- 1.3 : Back
- 1.4 : Left
- 1.5 : Right
- 1.6 : Top
- 1.7 : Bottom

(56) **References Cited**  
U.S. PATENT DOCUMENTS

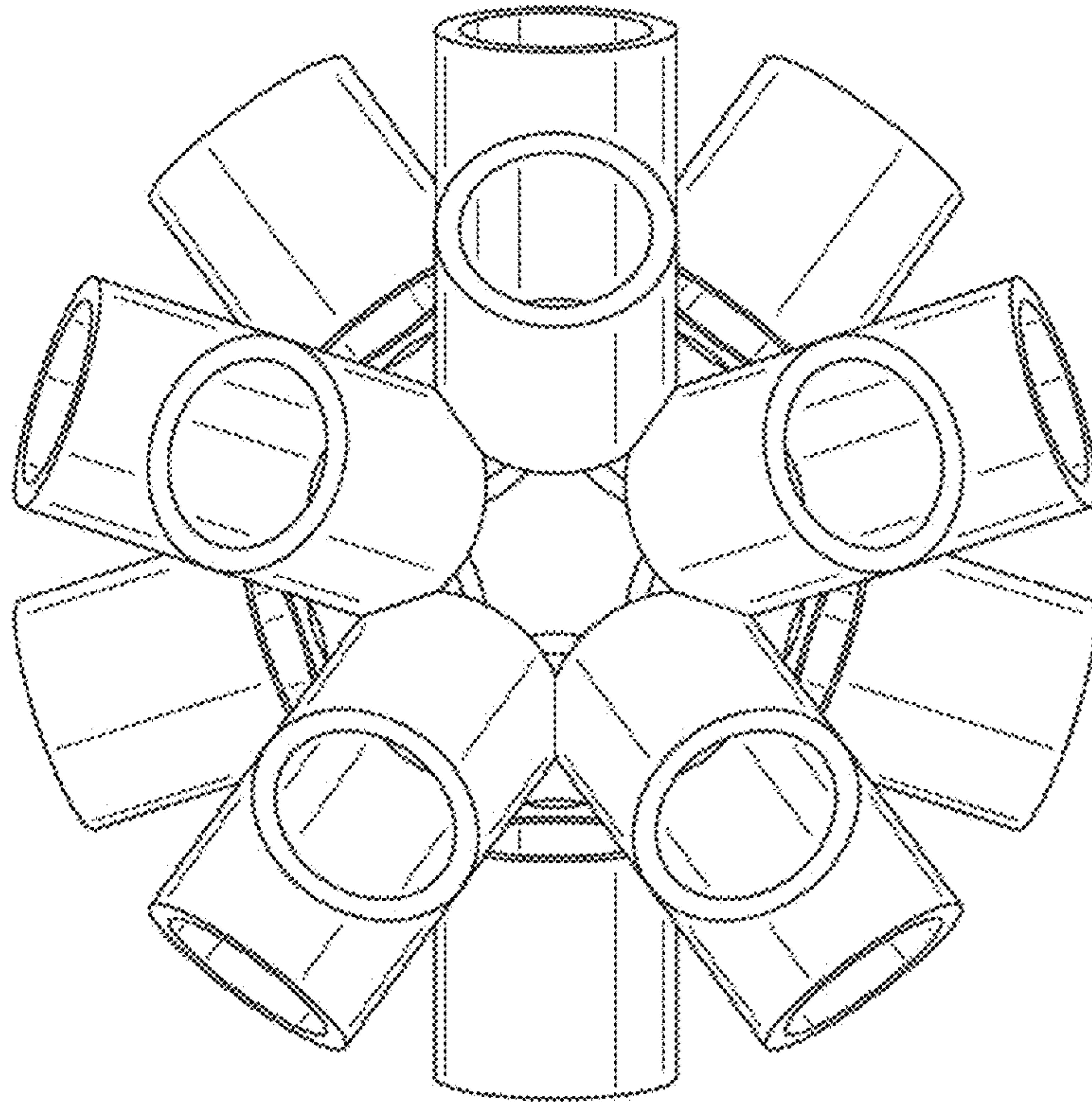
3,882,650 A \* 5/1975 Gugliotta ..... E04B 1/1906  
403/176  
D247,049 S \* 1/1978 Alves ..... D27/104

**1 Claim, 7 Drawing Sheets**

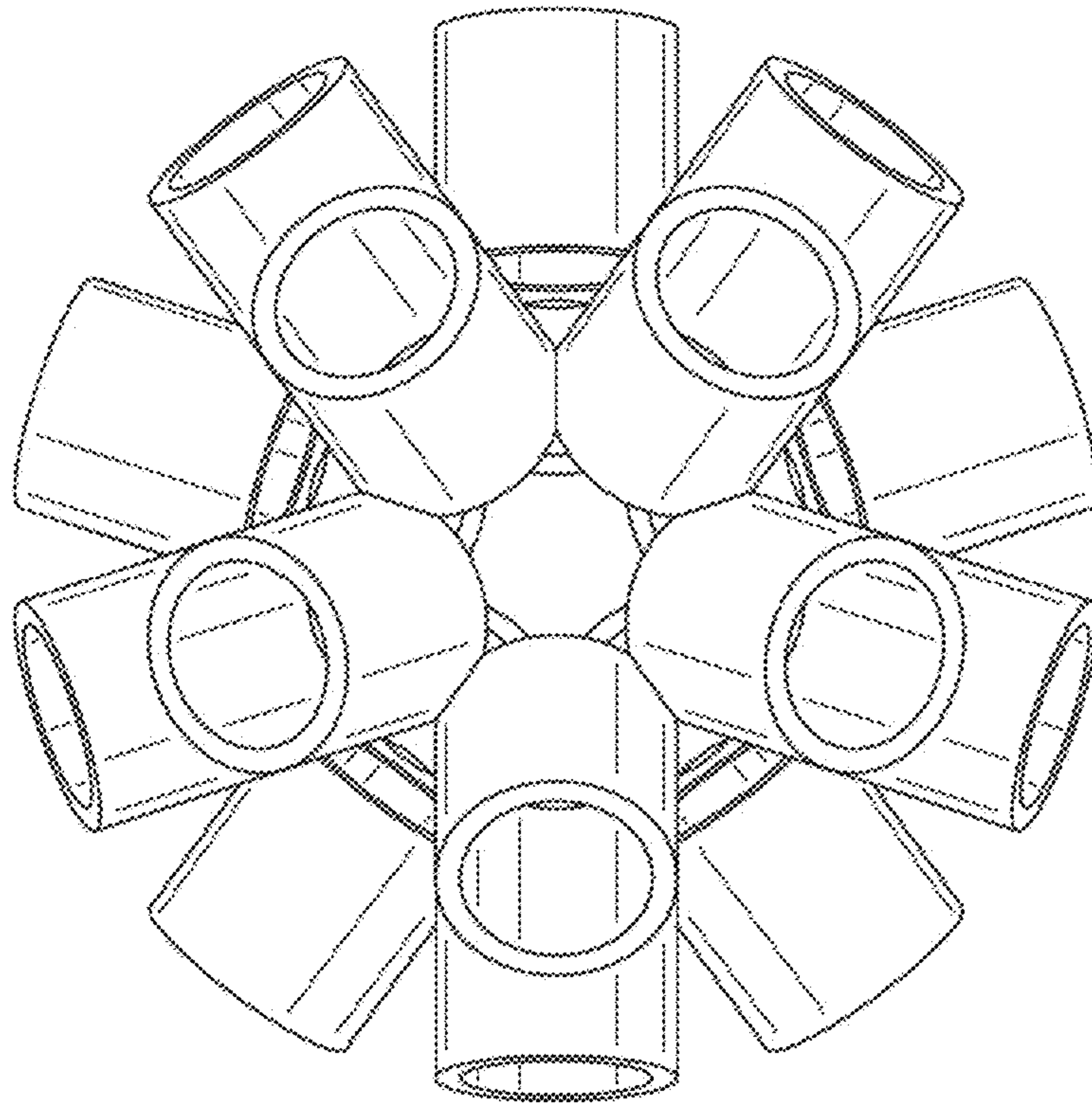




**1.1**

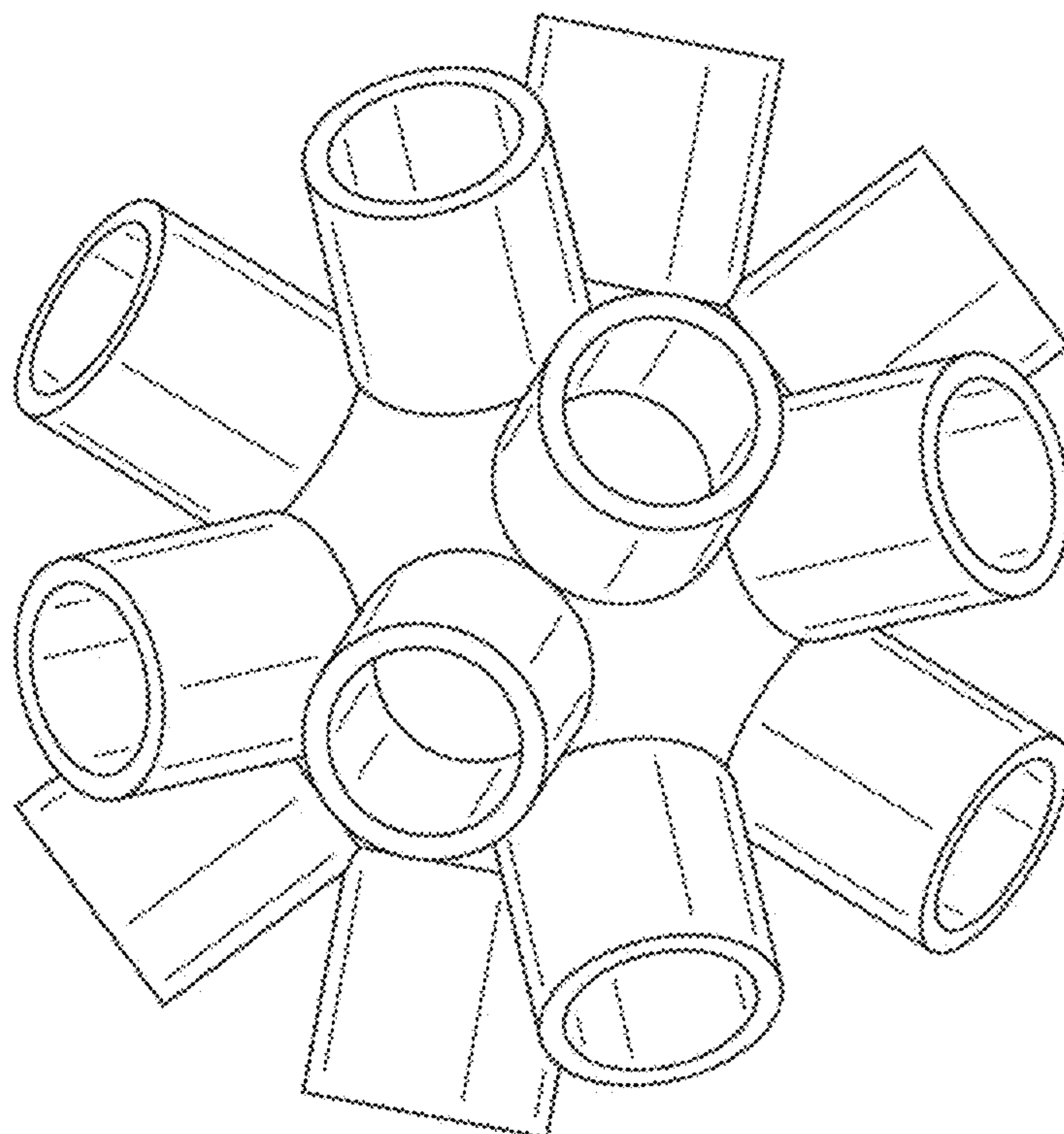


**1.2**

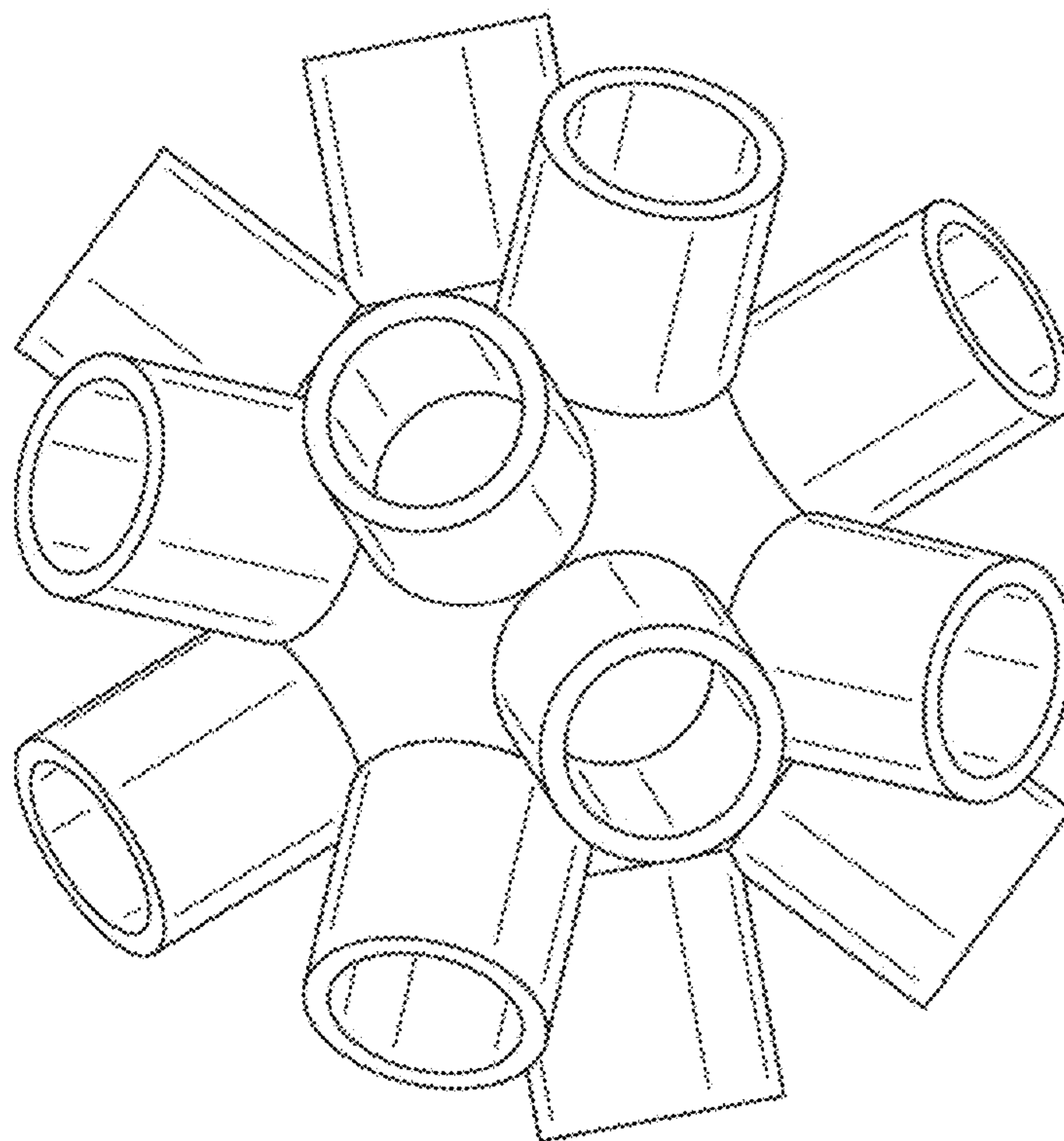


**1.3**

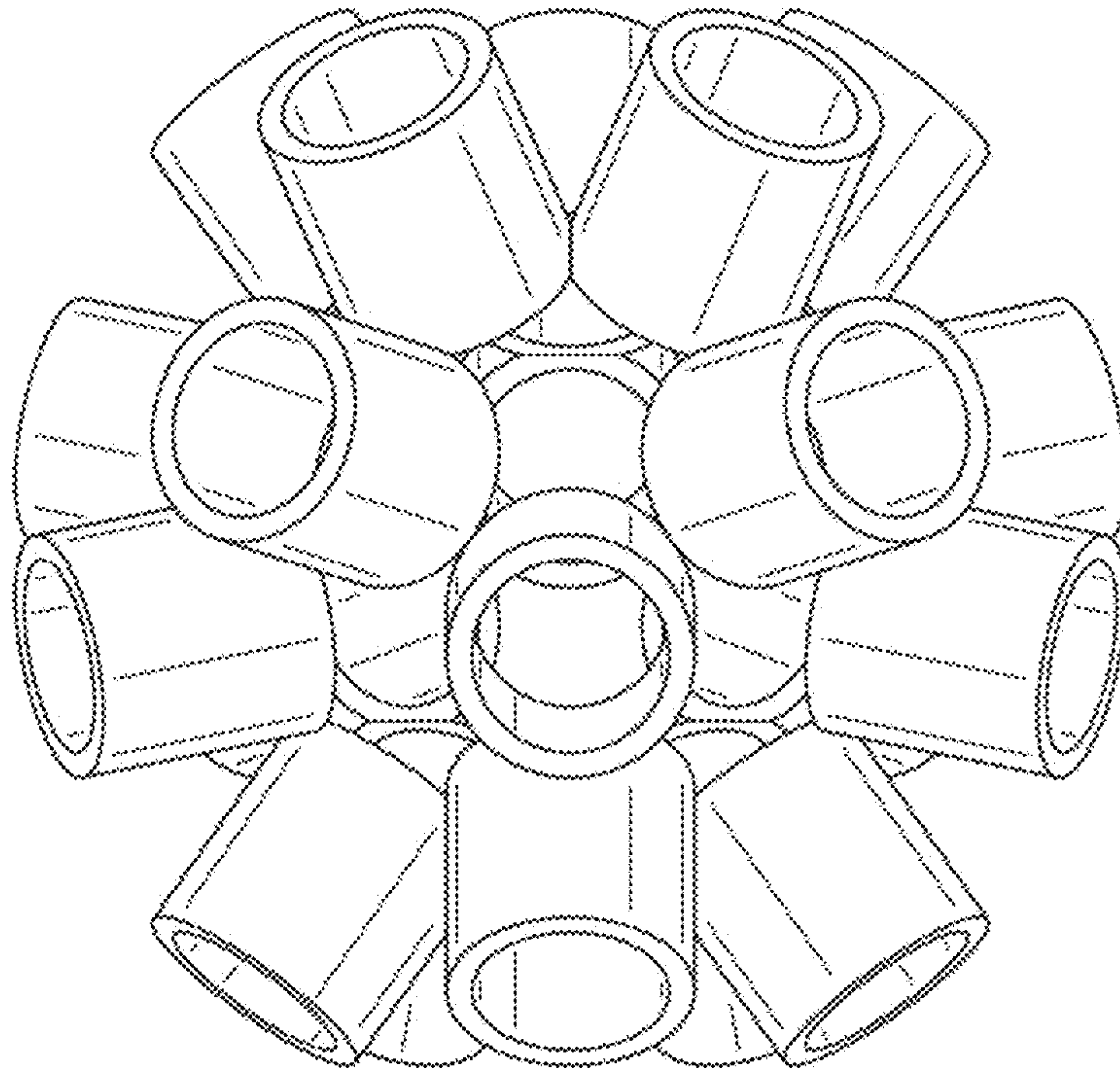




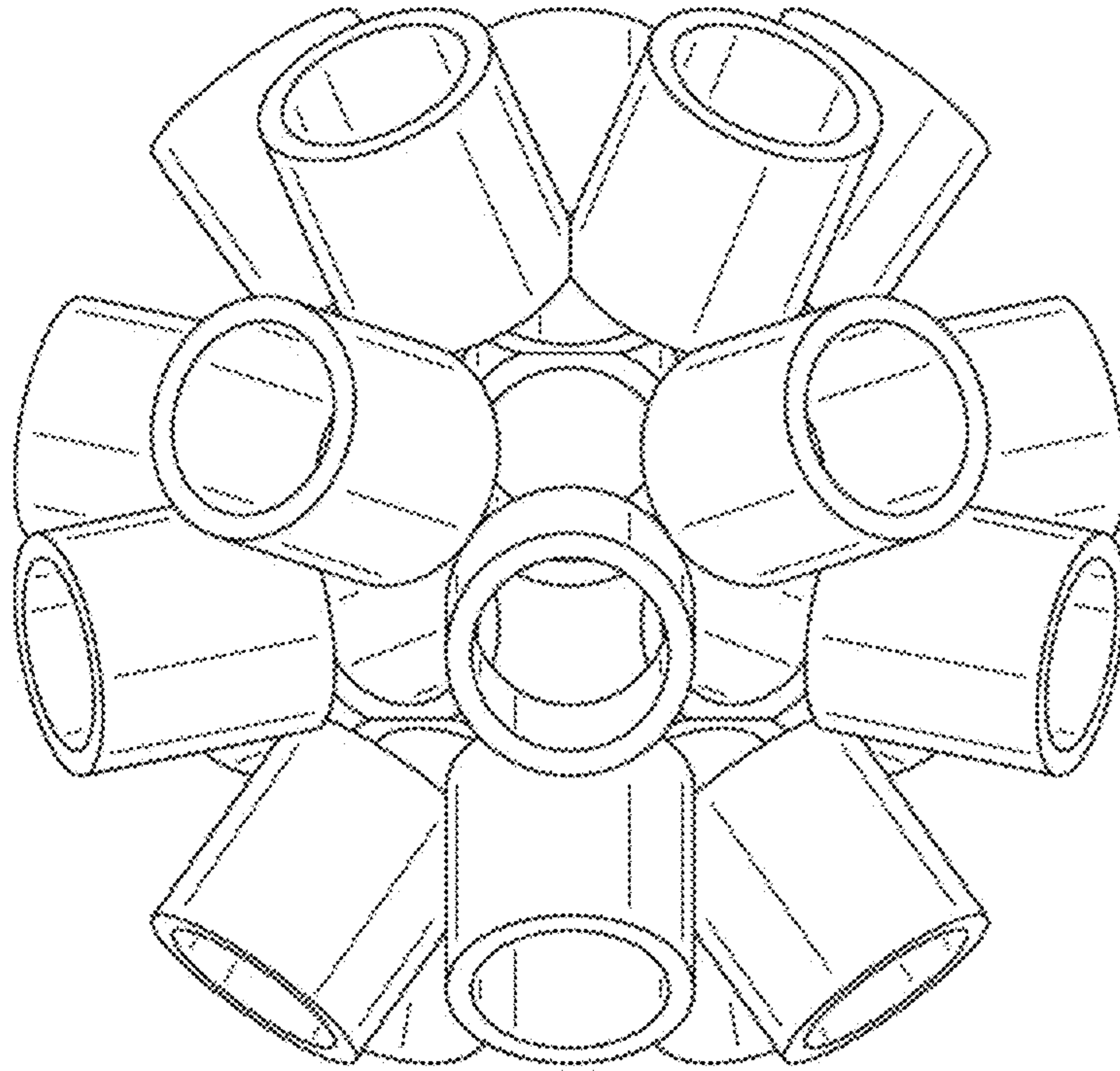
**1.4**



**1.5**



**1.6**



**1.7**