



US00D812288S

(12) **United States Design Patent** (10) **Patent No.:** **US D812,288 S**
Acker (45) **Date of Patent:** **** Mar. 6, 2018**

(54) **FLASHLIGHT LATCH**

(71) Applicant: **RMA Design LLC**, Delafield, WI (US)

(72) Inventor: **Richard M. Acker**, Delafield, WI (US)

(73) Assignee: **RMA Design LLC**, Delafield, WI (US)

(**) Term: **15 Years**

(21) Appl. No.: **29/560,382**

(22) Filed: **Apr. 6, 2016**

(51) **LOC (11) Cl.** **26-05**

(52) **U.S. Cl.**
USPC **D26/138**

(58) **Field of Classification Search**

USPC D26/76, 78, 79, 80, 81, 82, 83, 85, 86,
D26/88, 90, 113, 118, 119, 120, 121, 122,
D26/138, 139, 140, 141, 142, 152, 154

(Continued)

(56) **References Cited**

U.S. PATENT DOCUMENTS

3,612,853 A 10/1971 Aoki
4,528,622 A 7/1985 Bacevius

(Continued)

Primary Examiner — George D. Kirschbaum

Assistant Examiner — Natasha Vujcic

(74) *Attorney, Agent, or Firm* — Ryan Kromholz & Manion, S.C.

(57) **CLAIM**

The ornamental design for a flashlight latch, as shown and described.

DESCRIPTION

FIG. 1 is an uncoupled perspective view of a first embodiment of my invention;

FIG. 2 is a coupled perspective view of a first embodiment of my invention;

FIG. 3 is a front elevation view of a first embodiment of my invention;

FIG. 4 is a rear elevation view of a first embodiment of my invention;

FIG. 5 is a left side elevation view of a first embodiment of my invention;

FIG. 6 is a right side elevation view of a first embodiment of my invention;

FIG. 7 is a top plan view of a first embodiment of my invention;

FIG. 8 is a bottom plan view of a first embodiment of my invention;

FIG. 9 is an uncoupled perspective view of a second embodiment of my invention;

FIG. 10 is a coupled perspective view of a second embodiment of my invention;

FIG. 11 is a front elevation view of a second embodiment of my invention;

FIG. 12 is a rear elevation view of a second embodiment of my invention;

FIG. 13 is a left side elevation view of a second embodiment of my invention;

FIG. 14 is a right side elevation view of a second embodiment of my invention;

FIG. 15 is a top plan view of a second embodiment of my invention;

FIG. 16 is a bottom plan view of a second embodiment of my invention;

FIG. 17 is an uncoupled perspective view of a third embodiment of my invention;

FIG. 18 is a coupled perspective view of a third embodiment of my invention;

FIG. 19 is a front elevation view of a third embodiment of my invention;

FIG. 20 is a rear elevation view of a third embodiment of my invention;

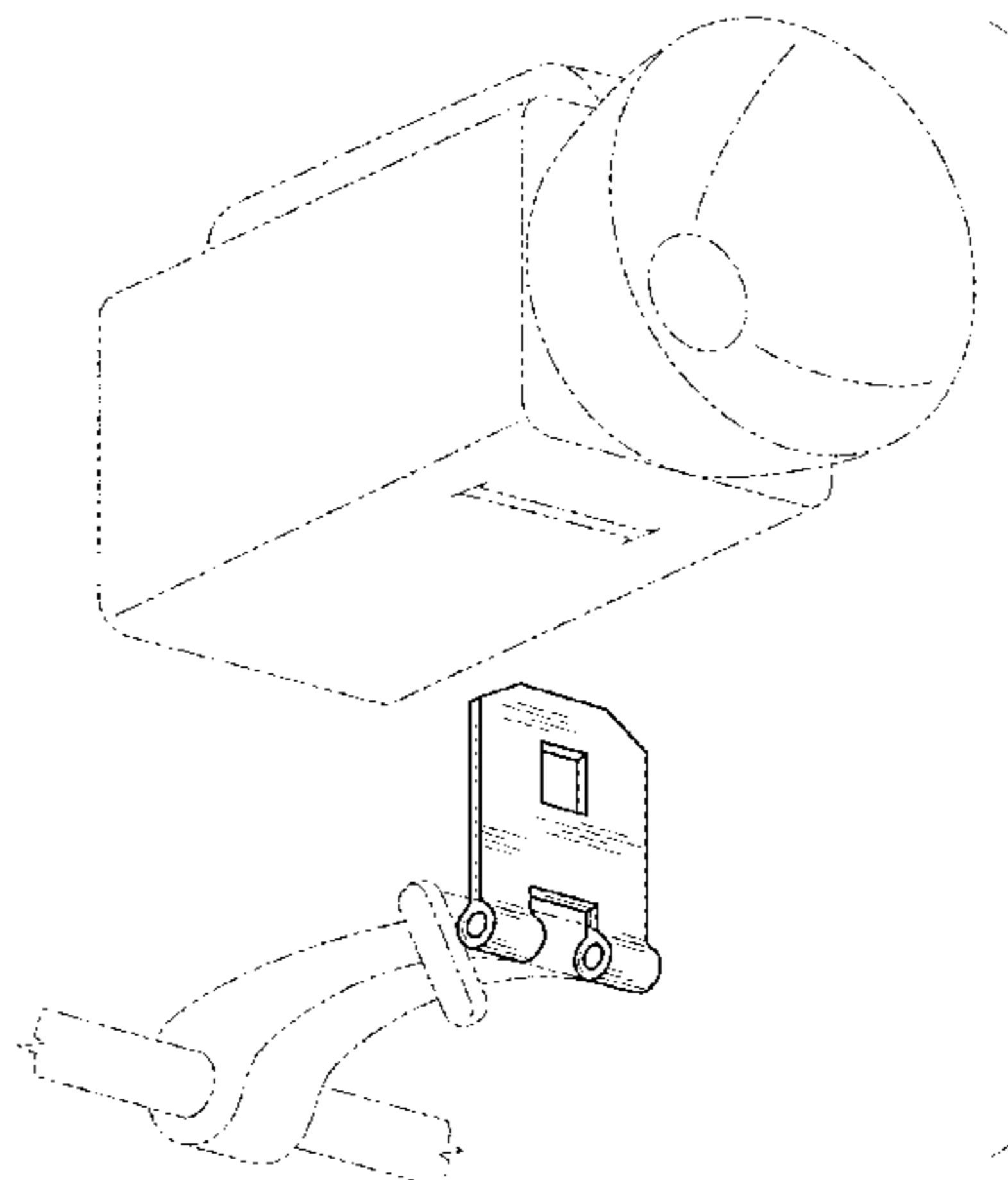
FIG. 21 is a left side elevation view of a third embodiment of my invention;

FIG. 22 is a right side elevation view of a third embodiment of my invention;

FIG. 23 is a top plan view of a third embodiment of my invention; and,

FIG. 24 is a bottom plan view of a third embodiment of my invention.

(Continued)



The broken line showing of a flashlight, portion of a flashlight or mounting structure in the figures forms no part of the claimed invention.

1 Claim, 9 Drawing Sheets

(58) **Field of Classification Search**

CPC F21S 2/00; F21S 4/00; F21S 4/003; F21S 4/005; F21S 4/006; F21S 4/007; F21S 4/008; F21S 6/00; F21S 8/00; F21S 8/024; F21S 8/026; F21S 8/031; F21S 8/033; F21S 8/035-8/037; F21S 8/04; F21S 8/043; F21S 8/063

See application file for complete search history.

(56) **References Cited**

U.S. PATENT DOCUMENTS

4,617,561 A 10/1986 Brown
 4,711,107 A 12/1987 Drone
 D306,553 S * 3/1990 Rumpel D8/395
 D321,124 S * 10/1991 Gary D8/373
 D321,125 S * 10/1991 Gary D8/373
 D322,211 S * 12/1991 Gary D8/373
 D327,214 S * 6/1992 Stuart D8/373

5,249,108 A * 9/1993 Gary F21V 21/14
 248/231.9
 5,460,346 A 10/1995 Hirsch
 D369,957 S * 5/1996 Blanton D26/138
 D375,453 S * 11/1996 Fleck D8/395
 D393,098 S * 3/1998 Adams D26/138
 5,884,992 A 3/1999 Taylor et al.
 5,911,497 A 6/1999 Mele
 6,190,200 B1 2/2001 Burwell
 6,206,543 B1 3/2001 Henry
 6,669,353 B2 12/2003 Kung
 6,837,599 B2 1/2005 Liaw et al.
 6,857,756 B2 2/2005 Reiff et al.
 7,217,003 B2 5/2007 Parsons
 7,434,969 B2 10/2008 Ford et al.
 7,651,063 B2 * 1/2010 Jensen F16L 345/00
 248/205.5
 D621,977 S * 8/2010 Lusi D26/23
 D625,441 S * 10/2010 Lusi D26/23
 8,113,475 B2 2/2012 Whittemore et al.
 8,132,764 B2 3/2012 Kuipers
 8,226,281 B2 7/2012 Wei
 D668,379 S * 10/2012 Storey D26/138
 8,328,384 B2 12/2012 Wang
 8,616,722 B2 12/2013 Duerr et al.
 D705,040 S * 5/2014 Konrad D8/354
 D711,041 S * 8/2014 Cortez-Rucker D26/138
 D771,863 S * 11/2016 Ellis D26/142

* cited by examiner

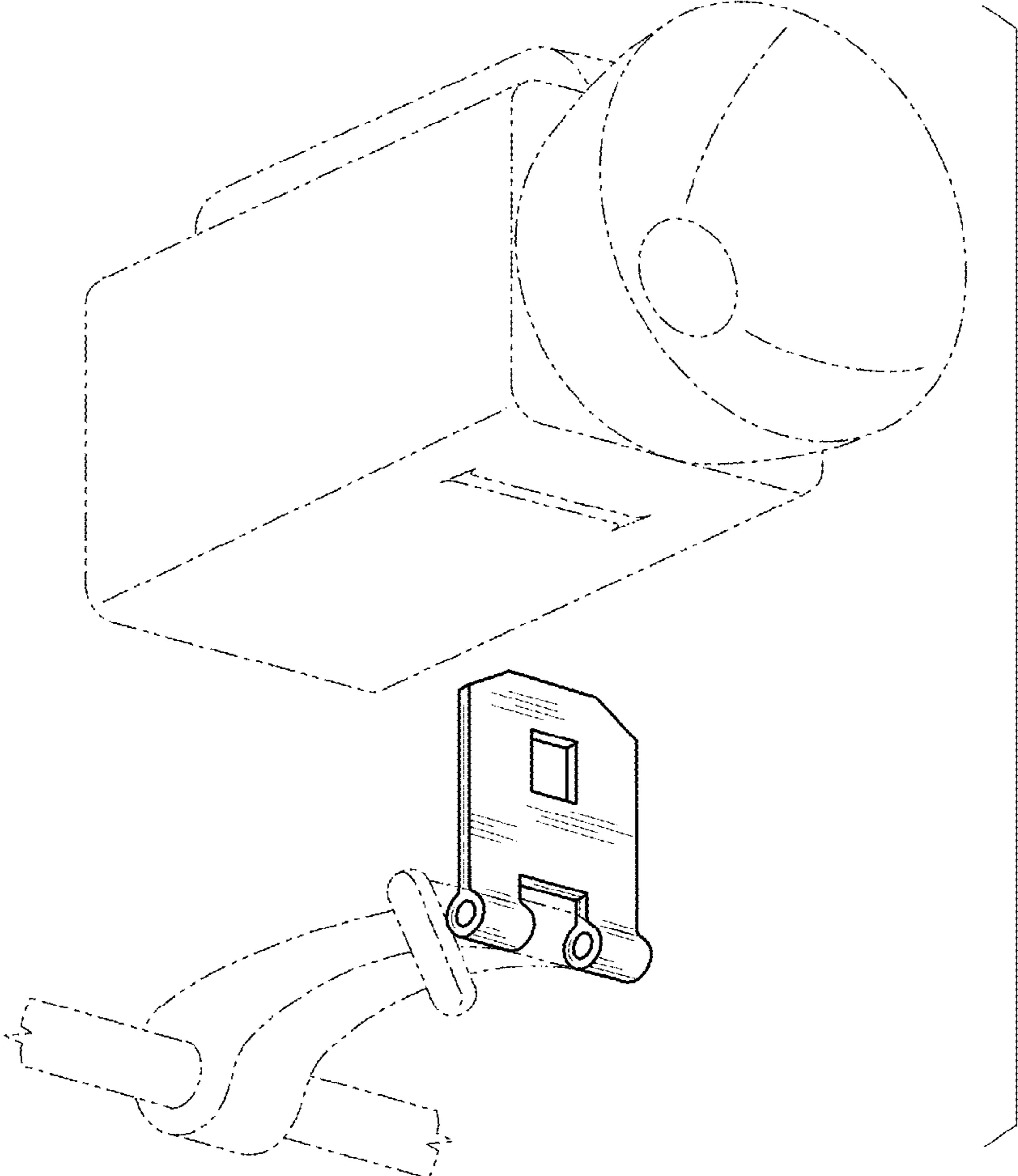


Fig. 1

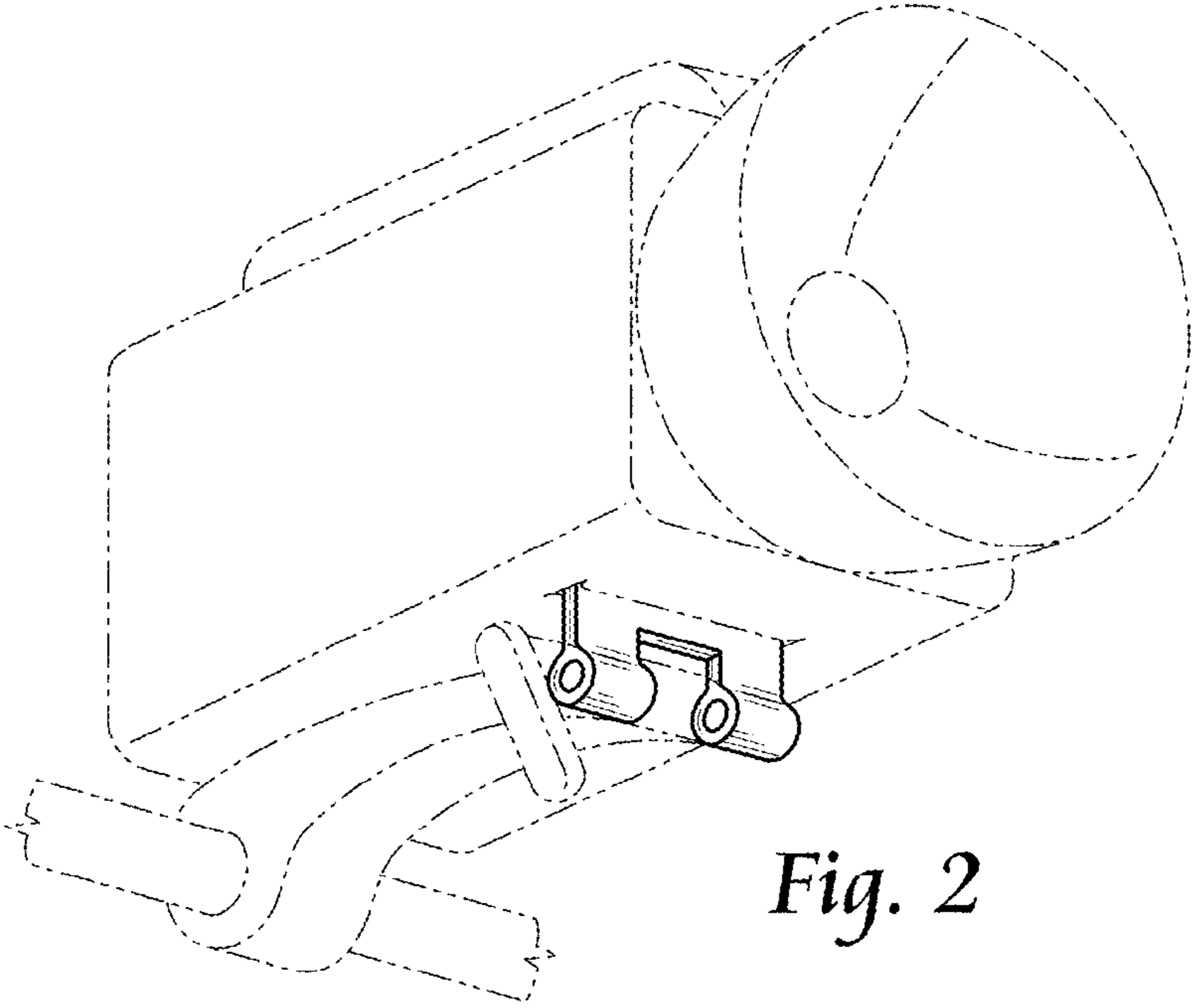


Fig. 2

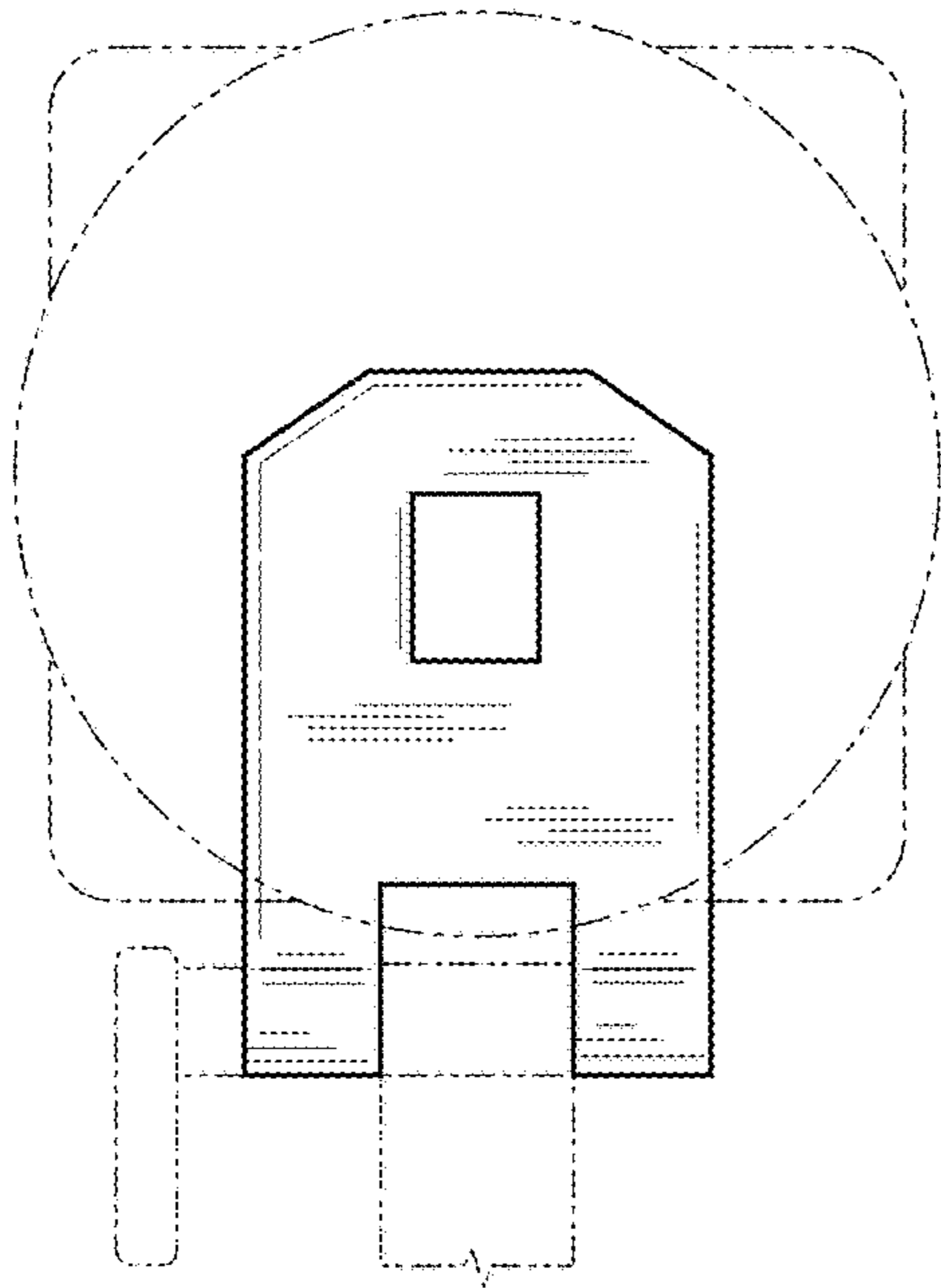


Fig. 3

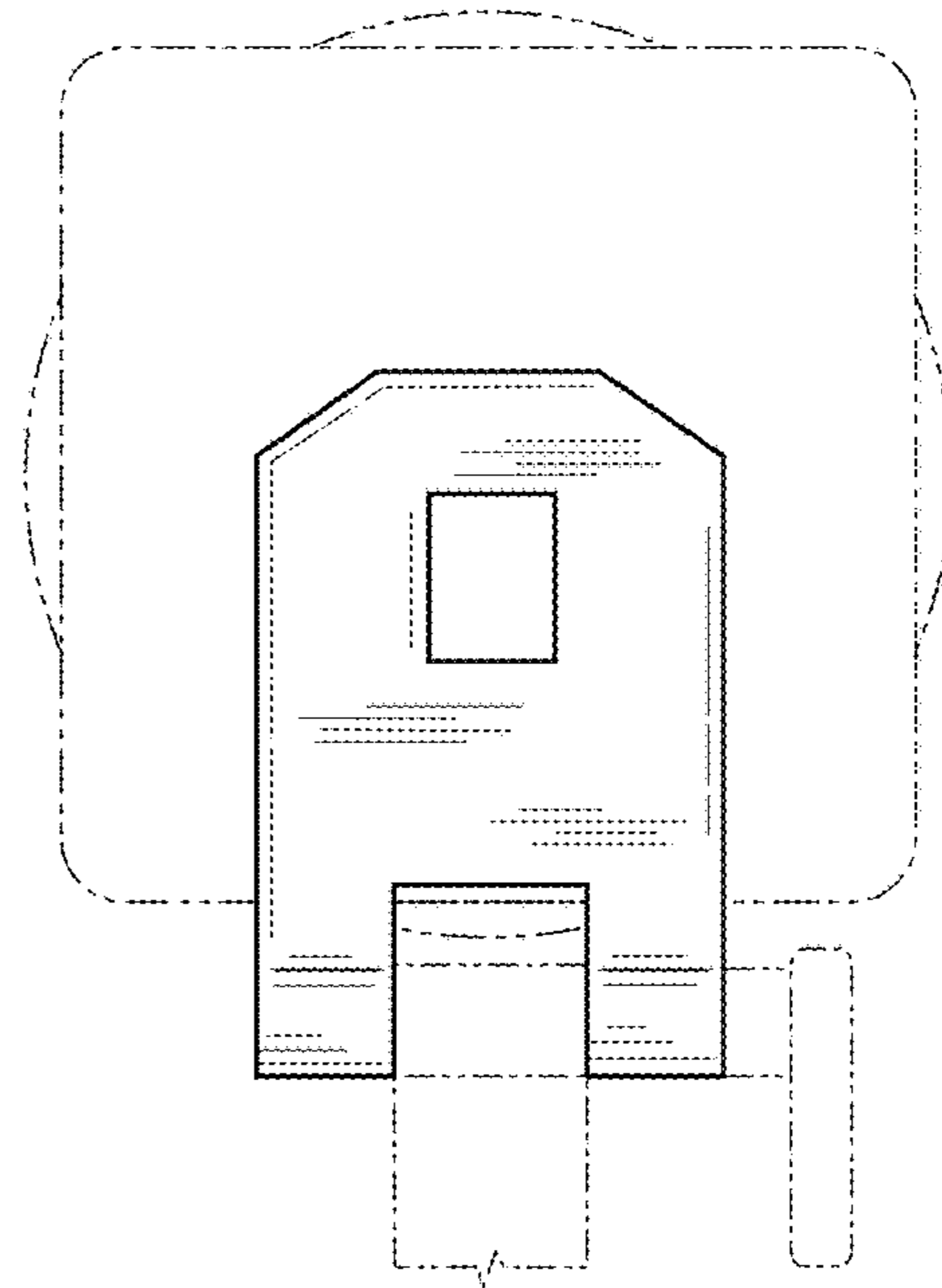


Fig. 4

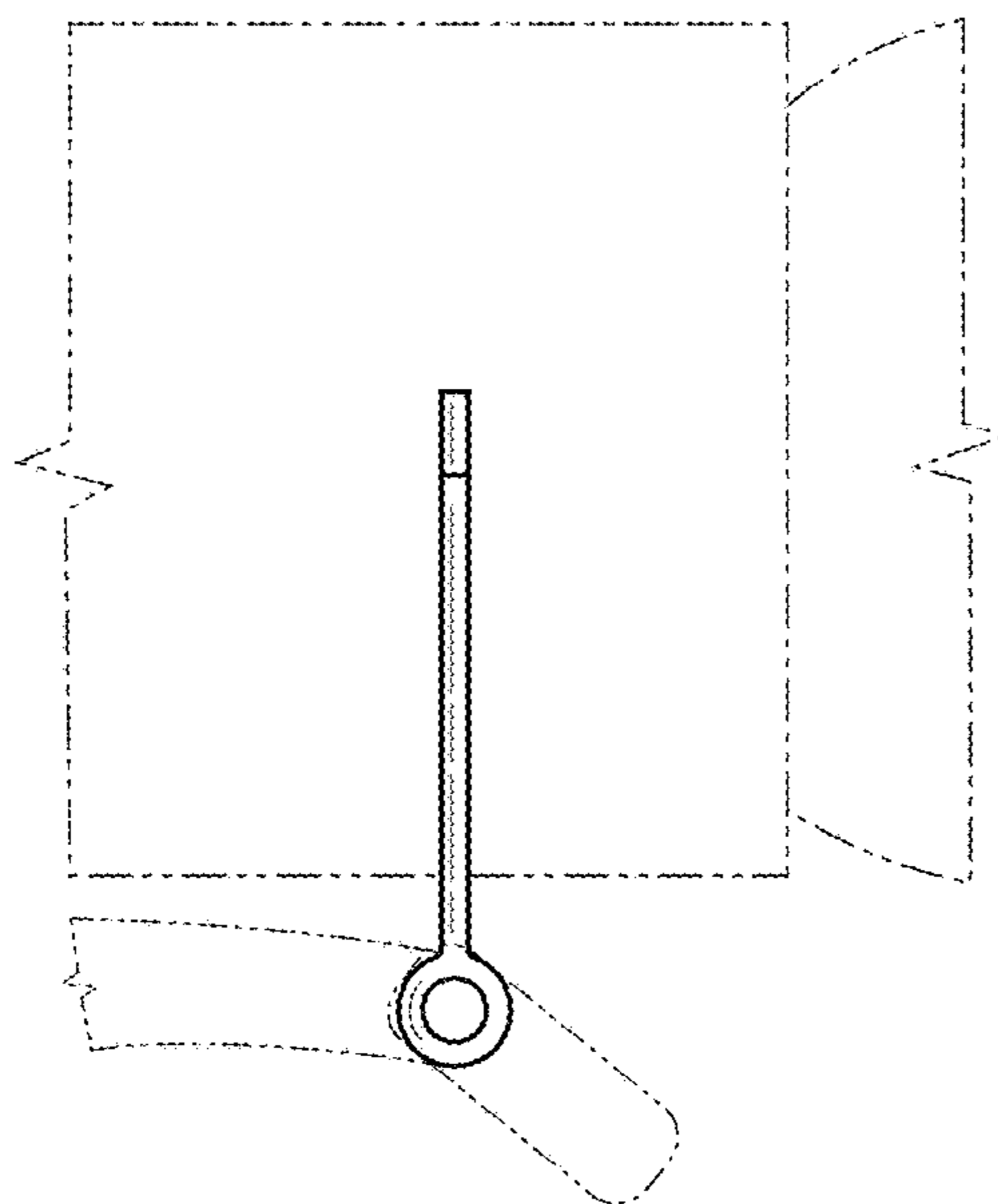


Fig. 5

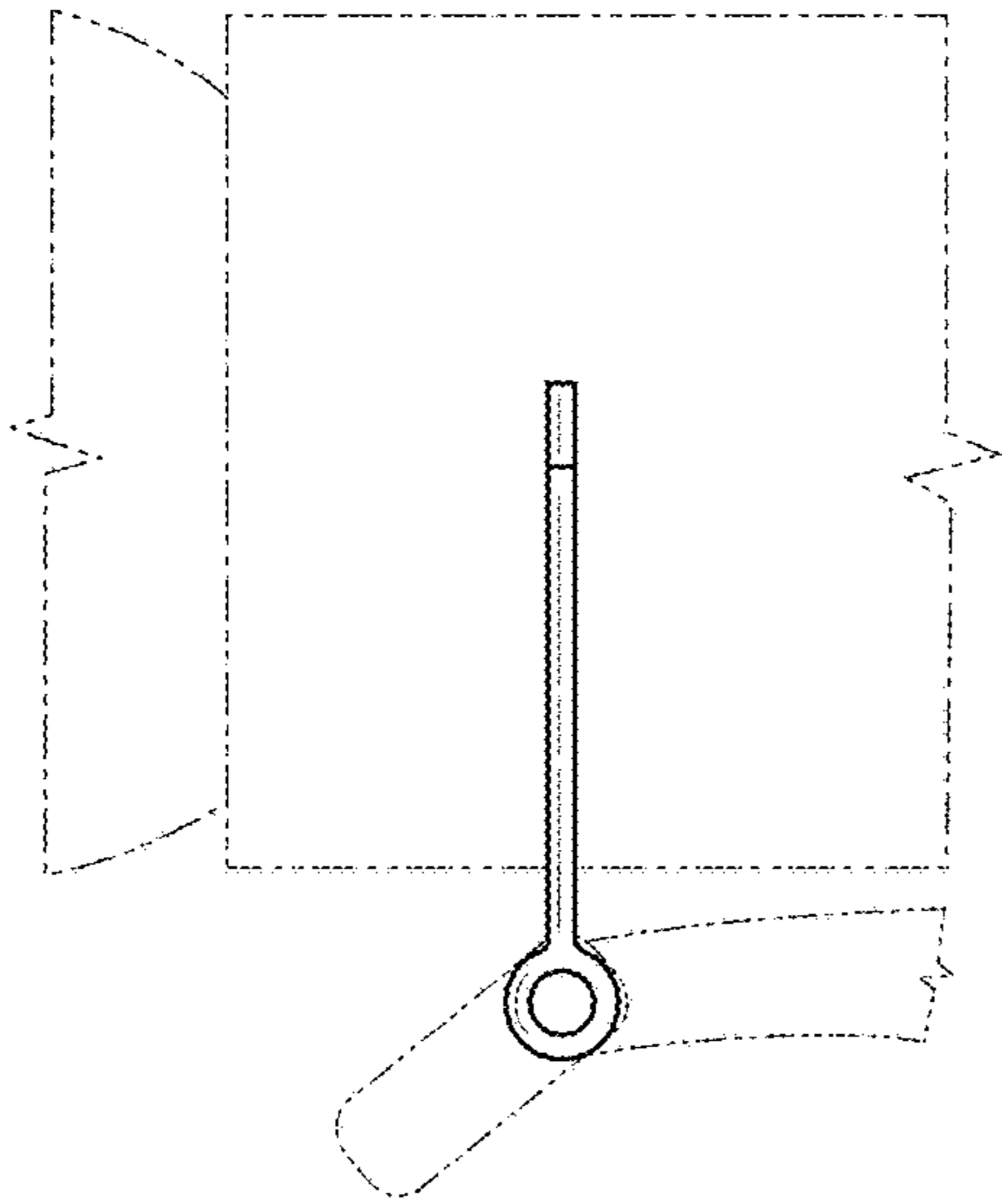


Fig. 6

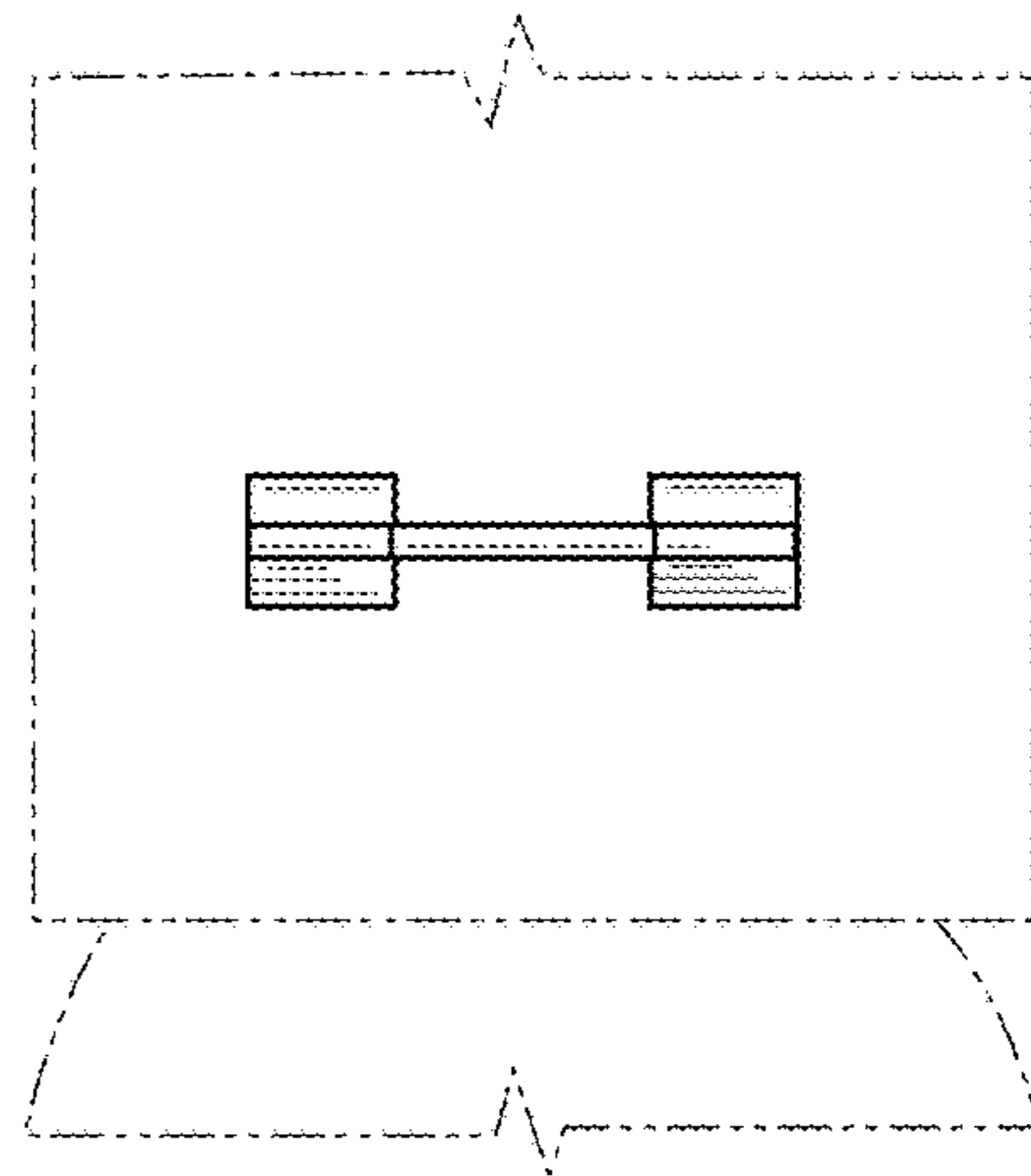


Fig. 7

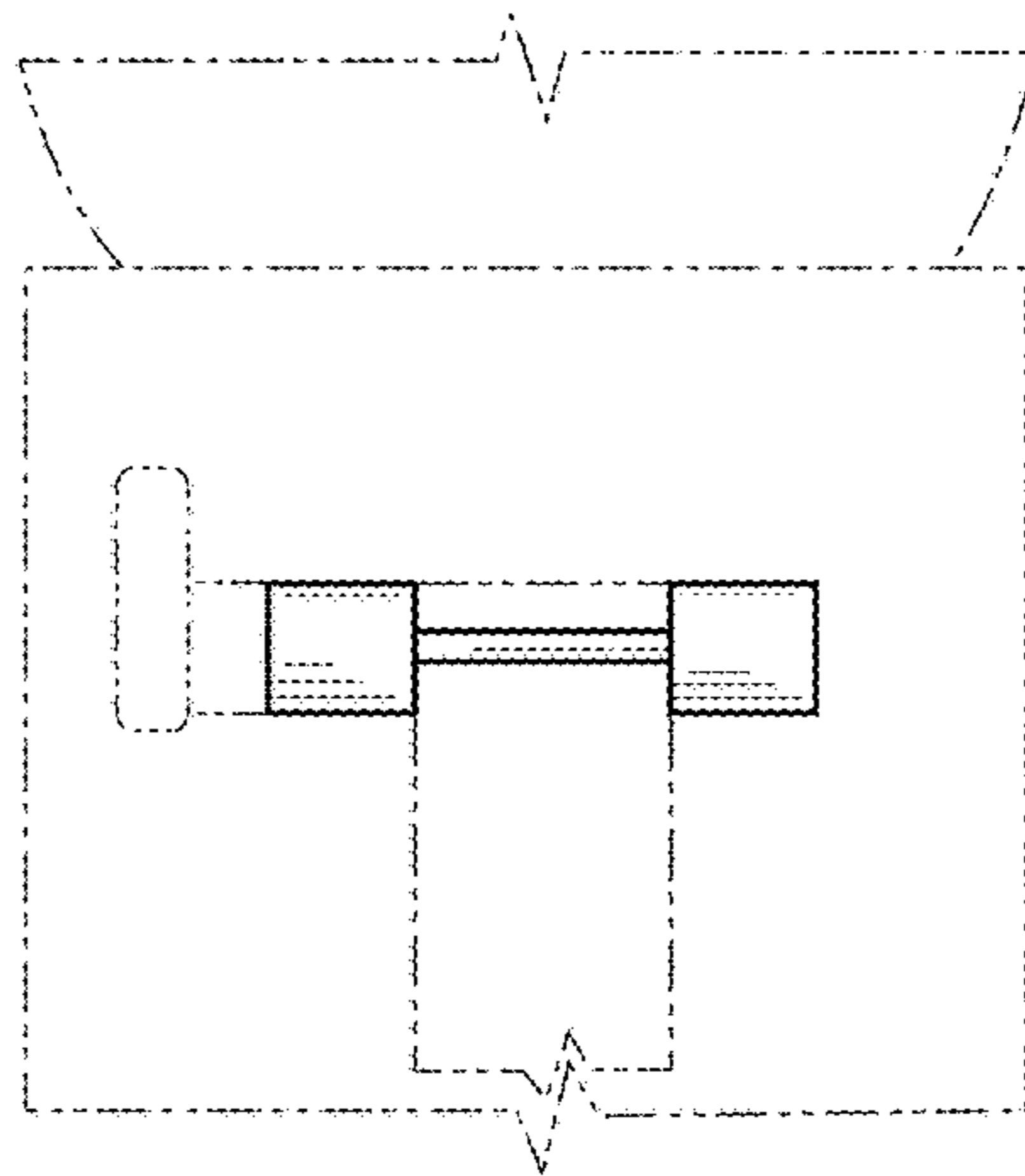


Fig. 8

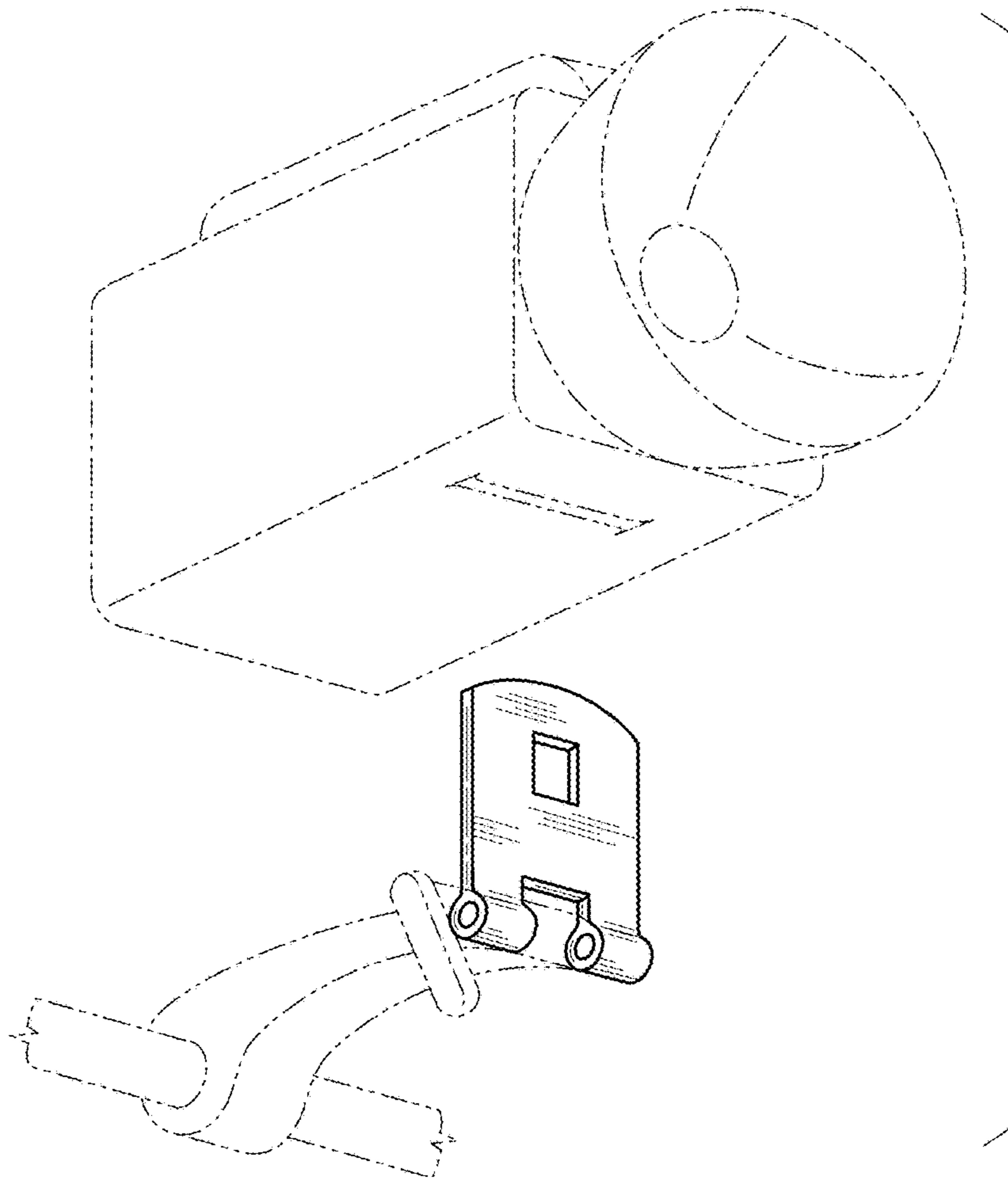


Fig. 9

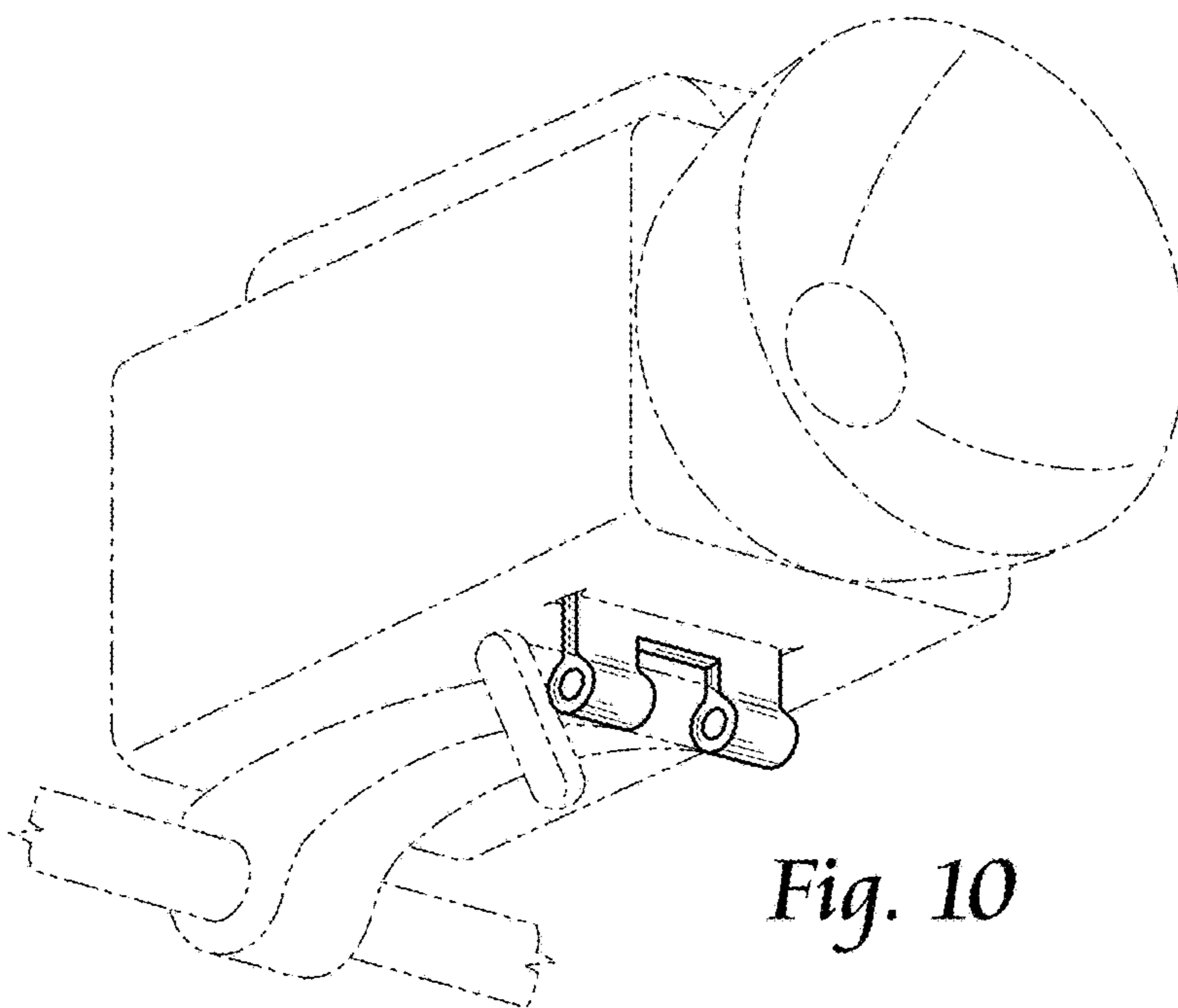


Fig. 10

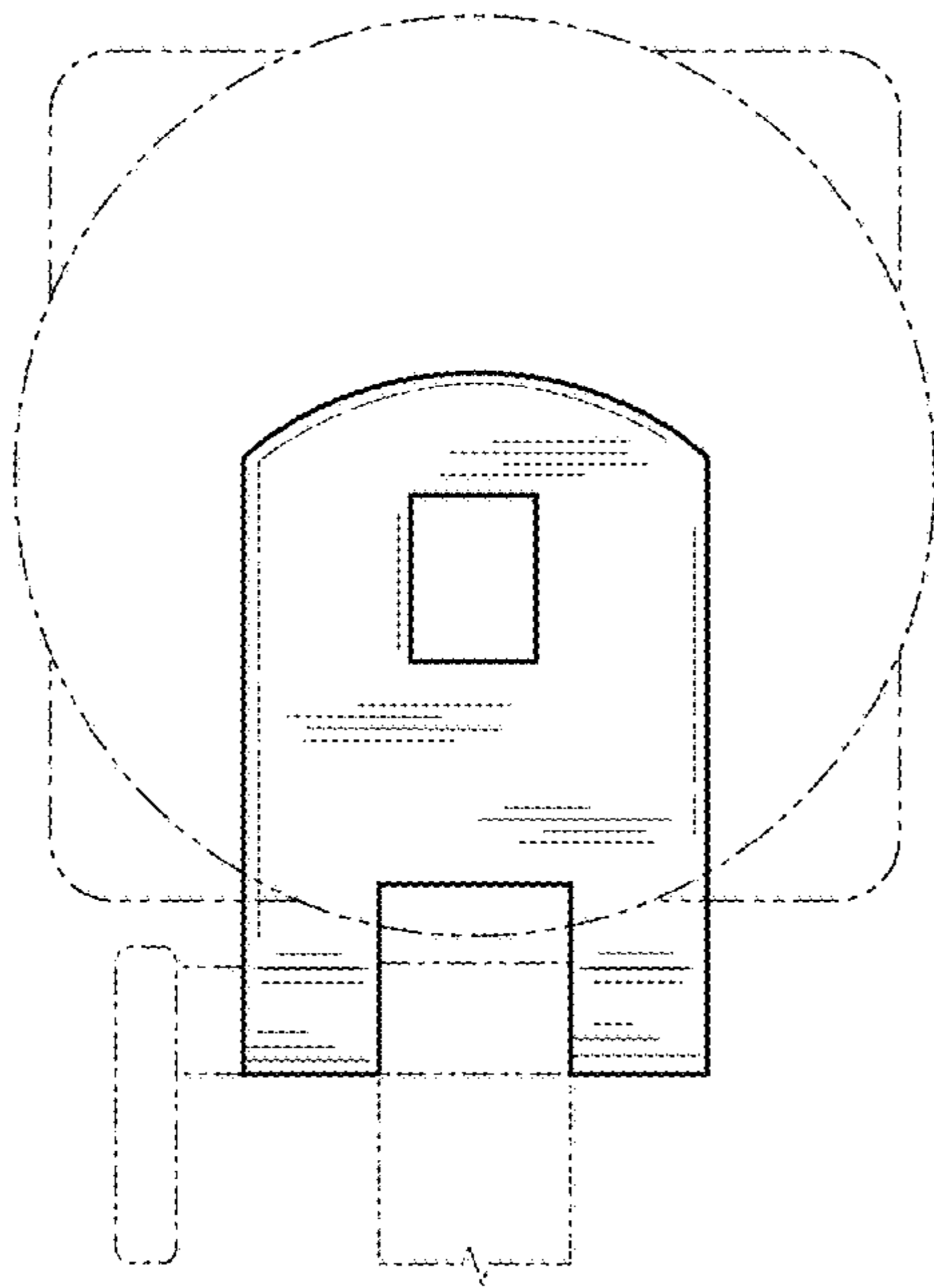


Fig. 11

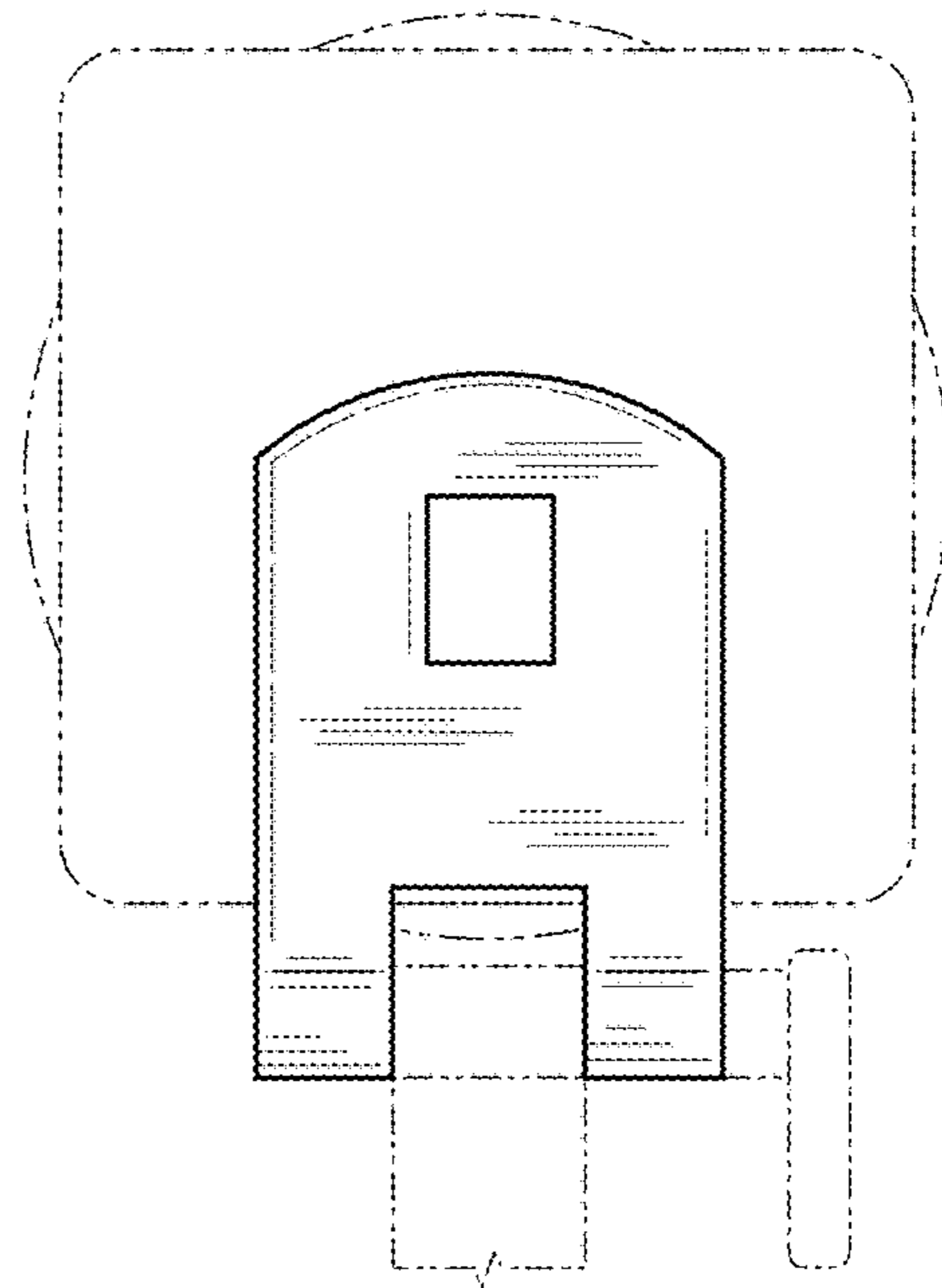


Fig. 12

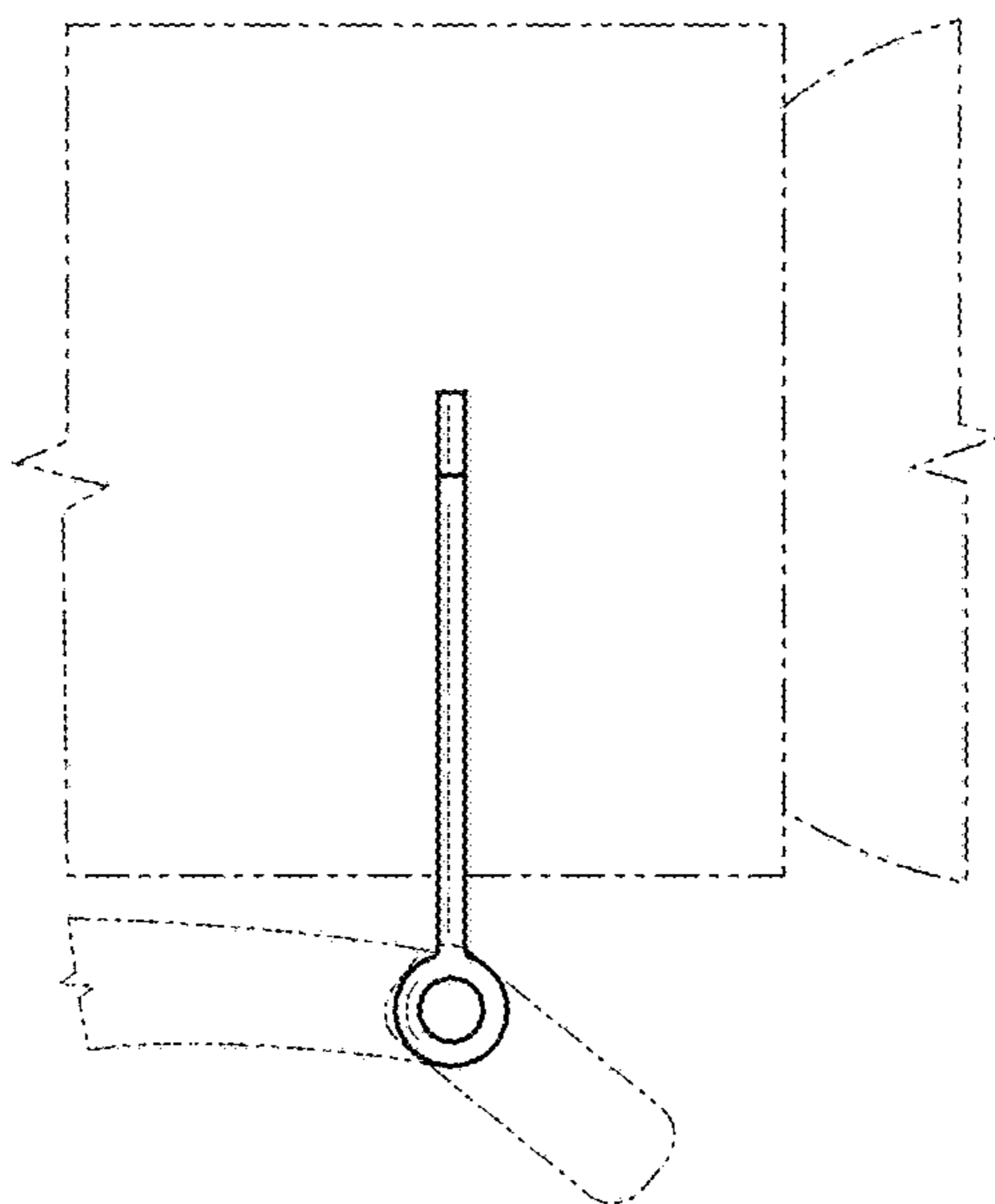


Fig. 13

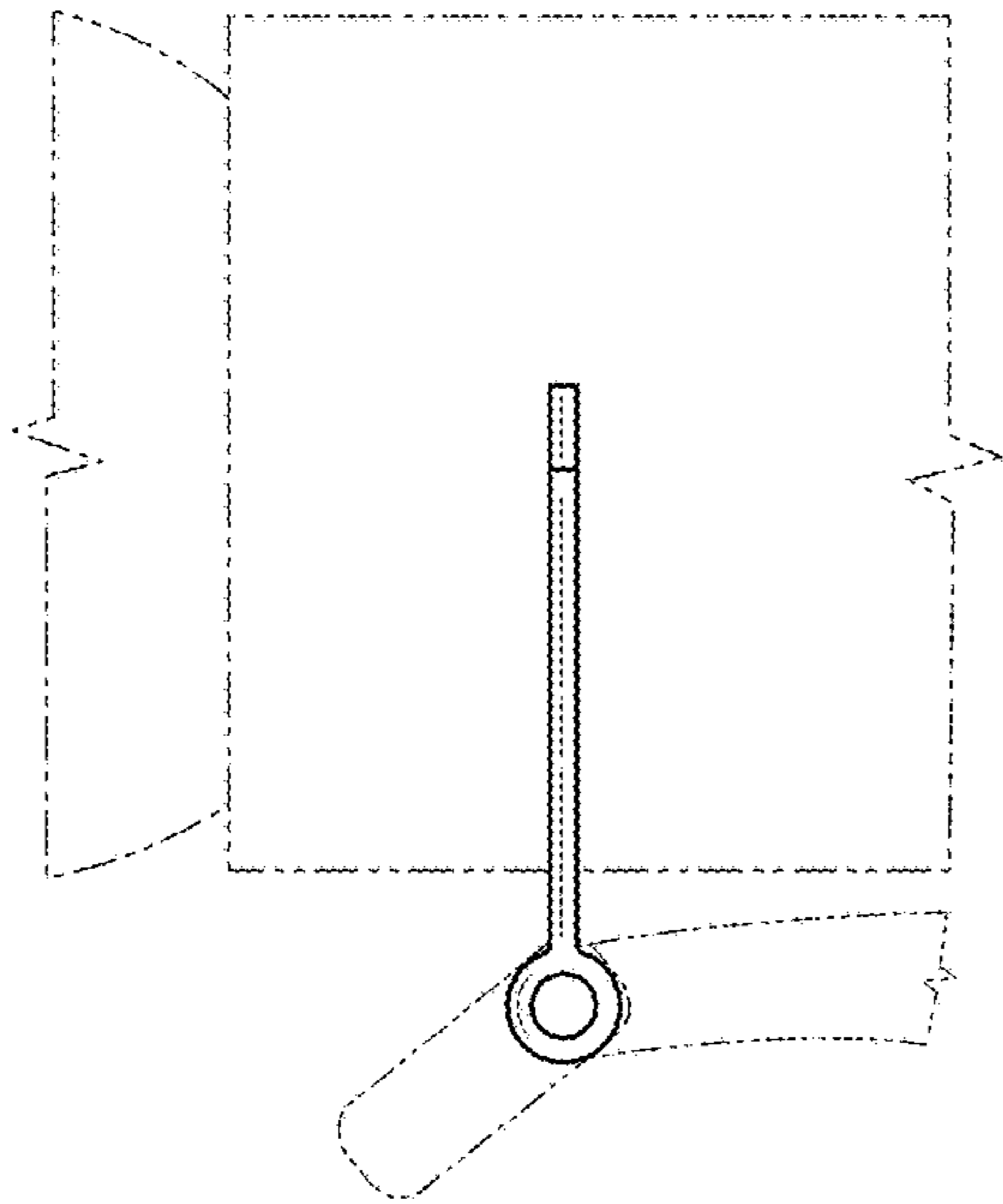


Fig. 14

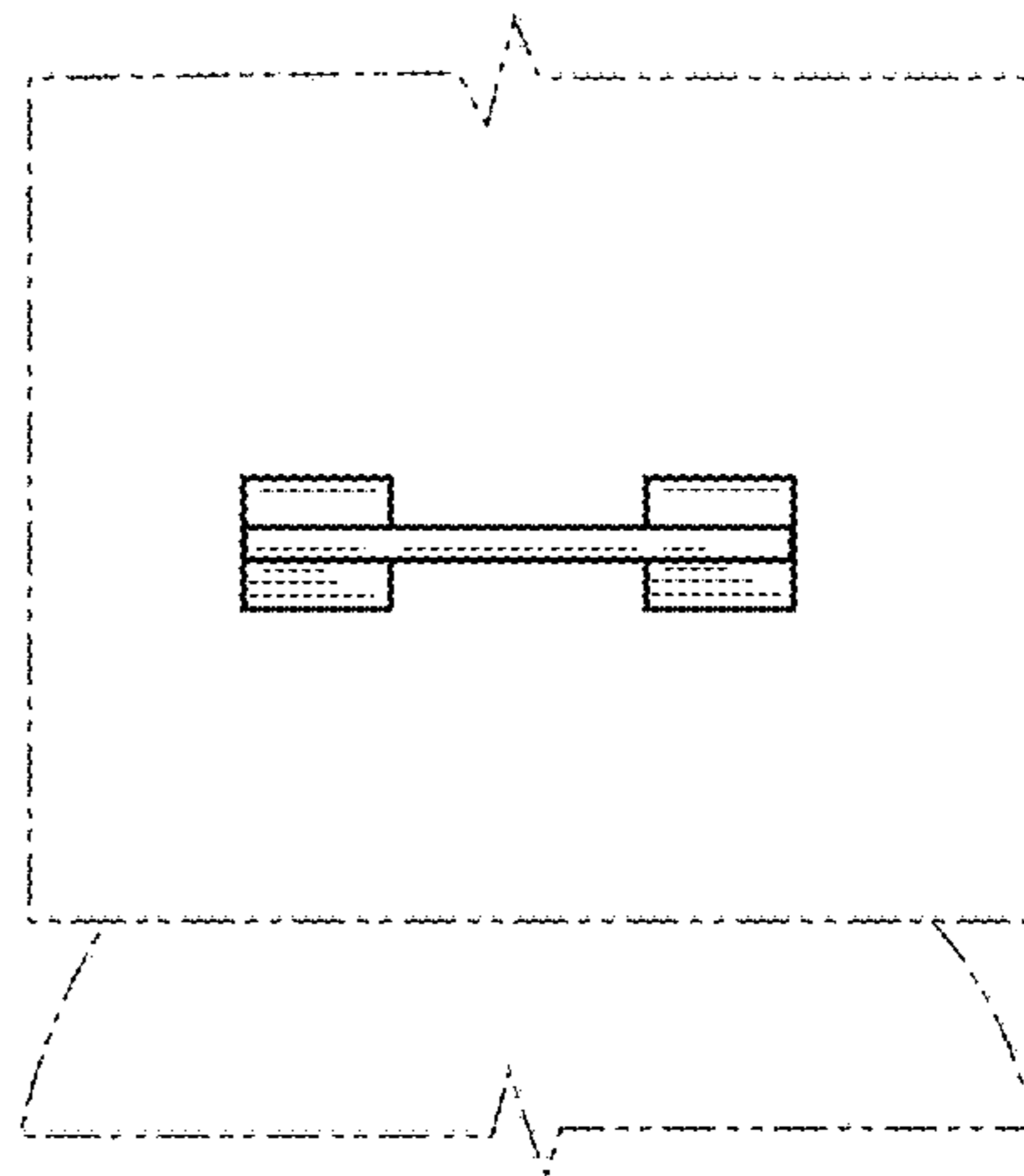


Fig. 15

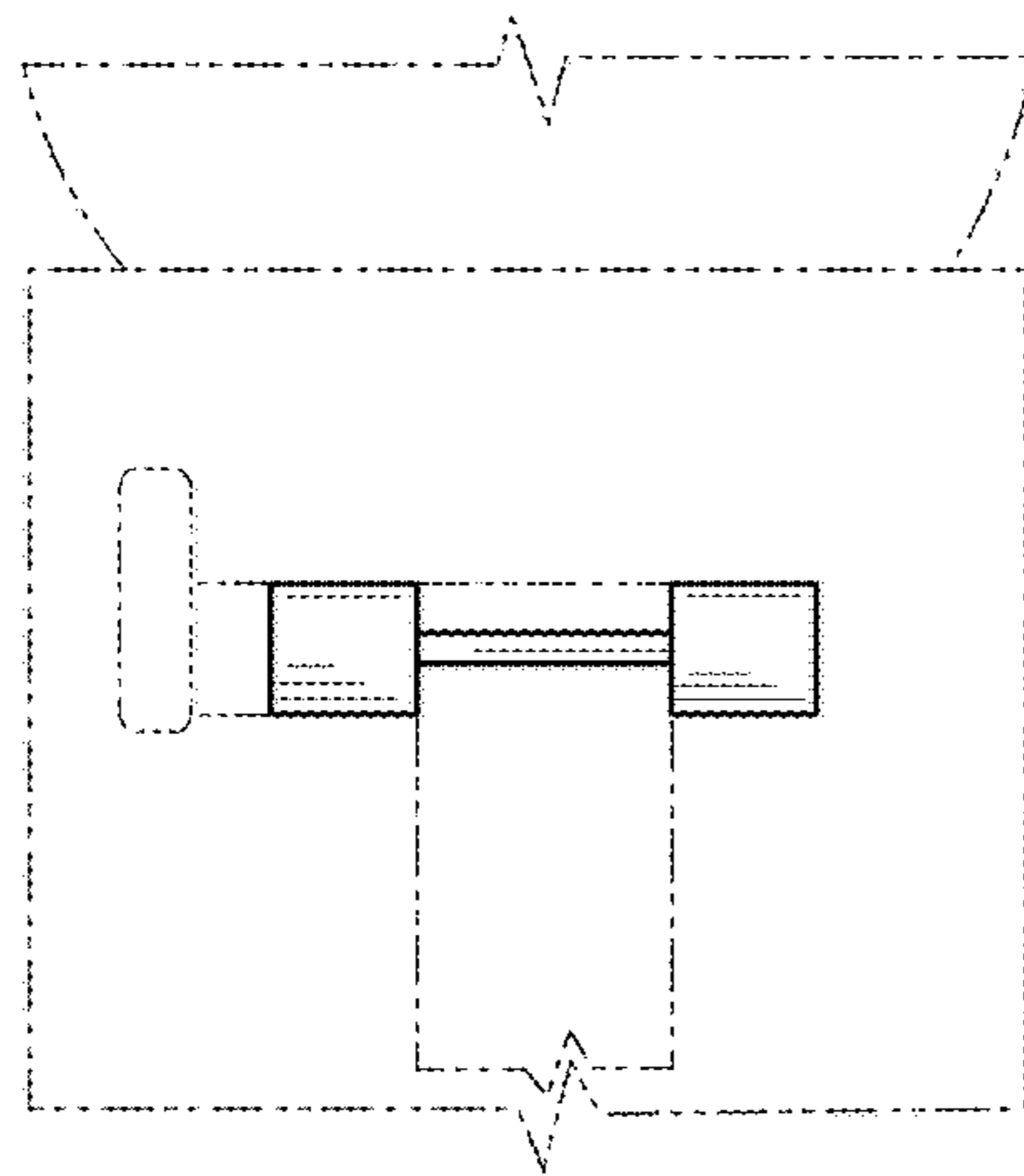


Fig. 16

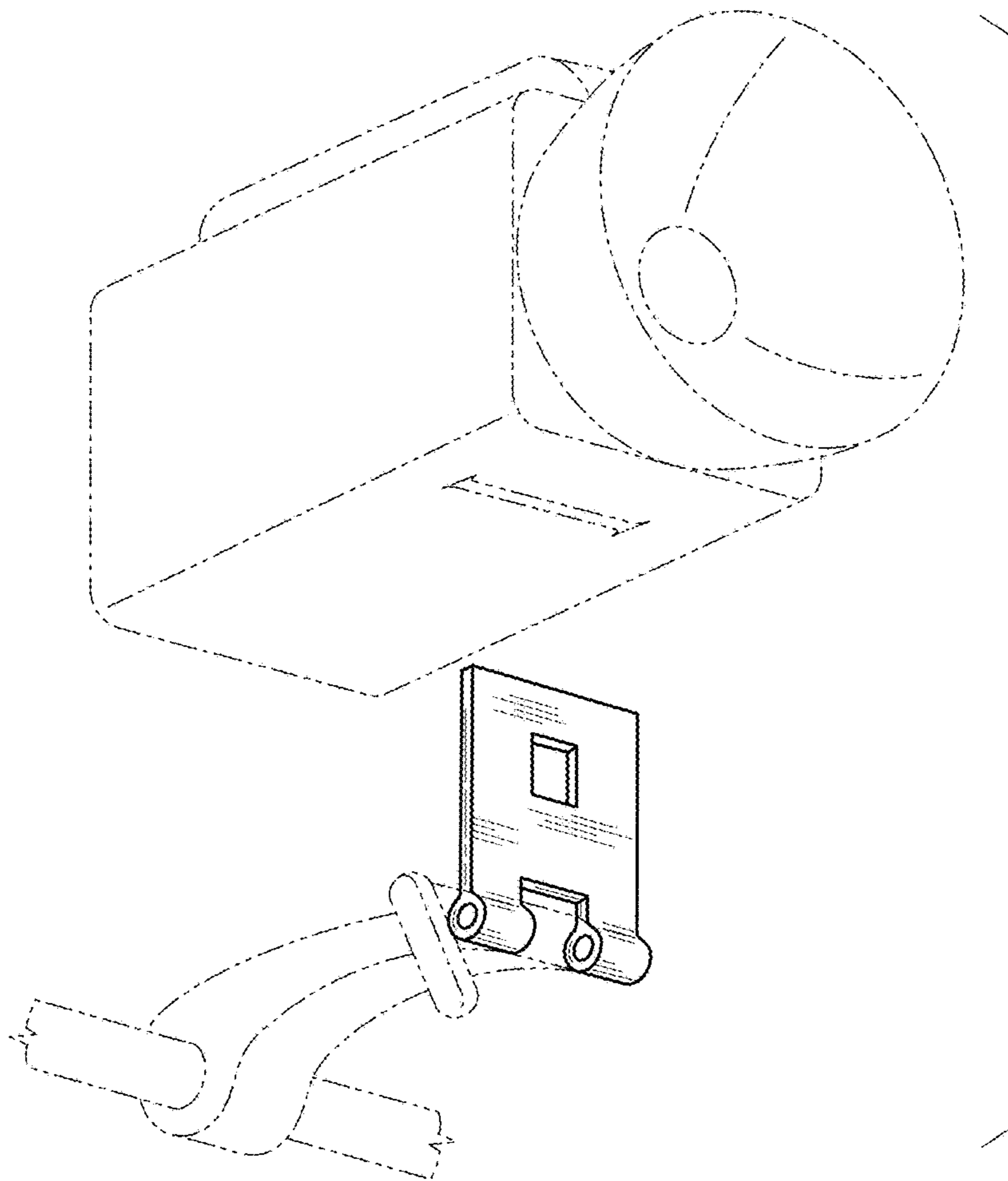


Fig. 17

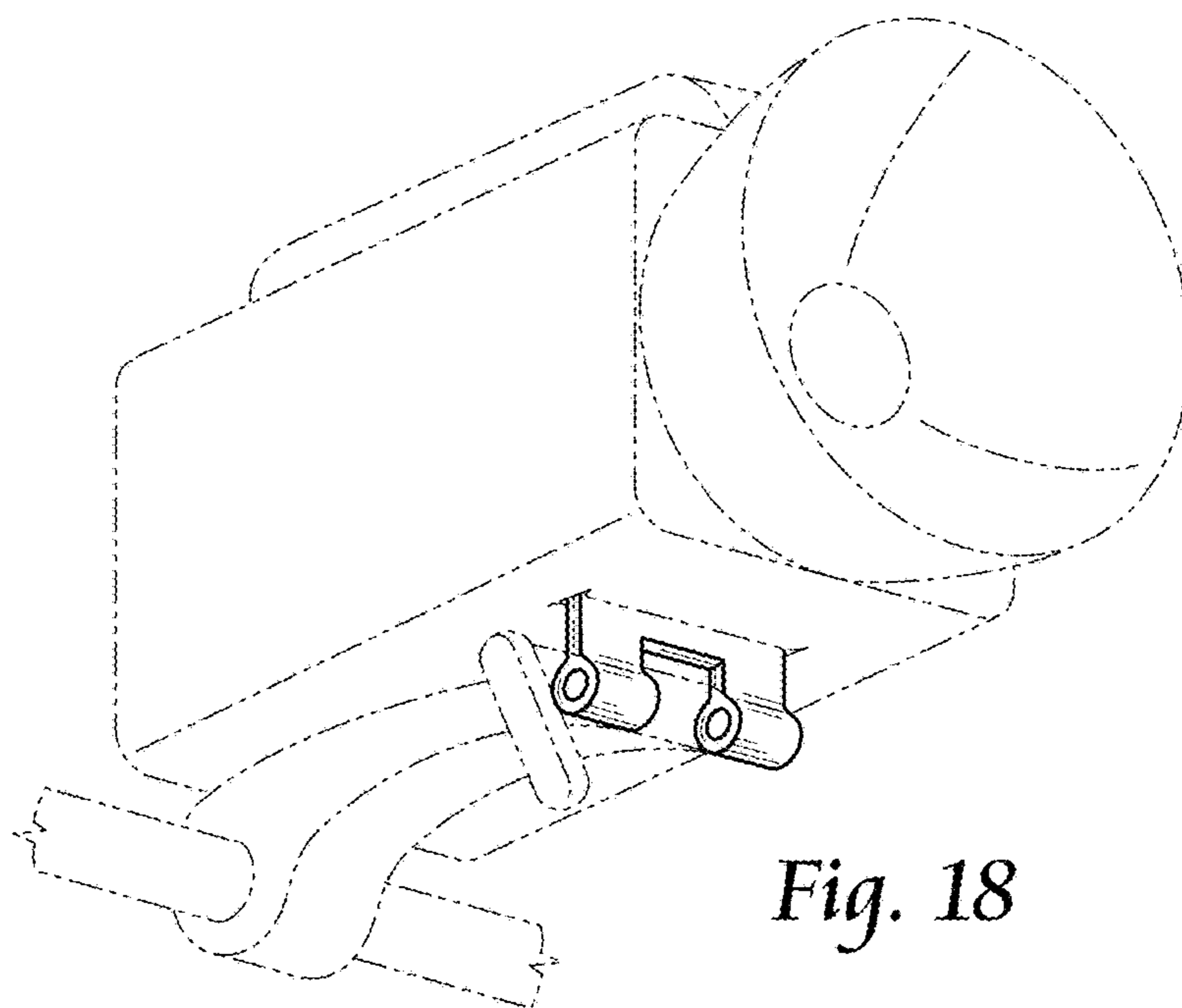


Fig. 18

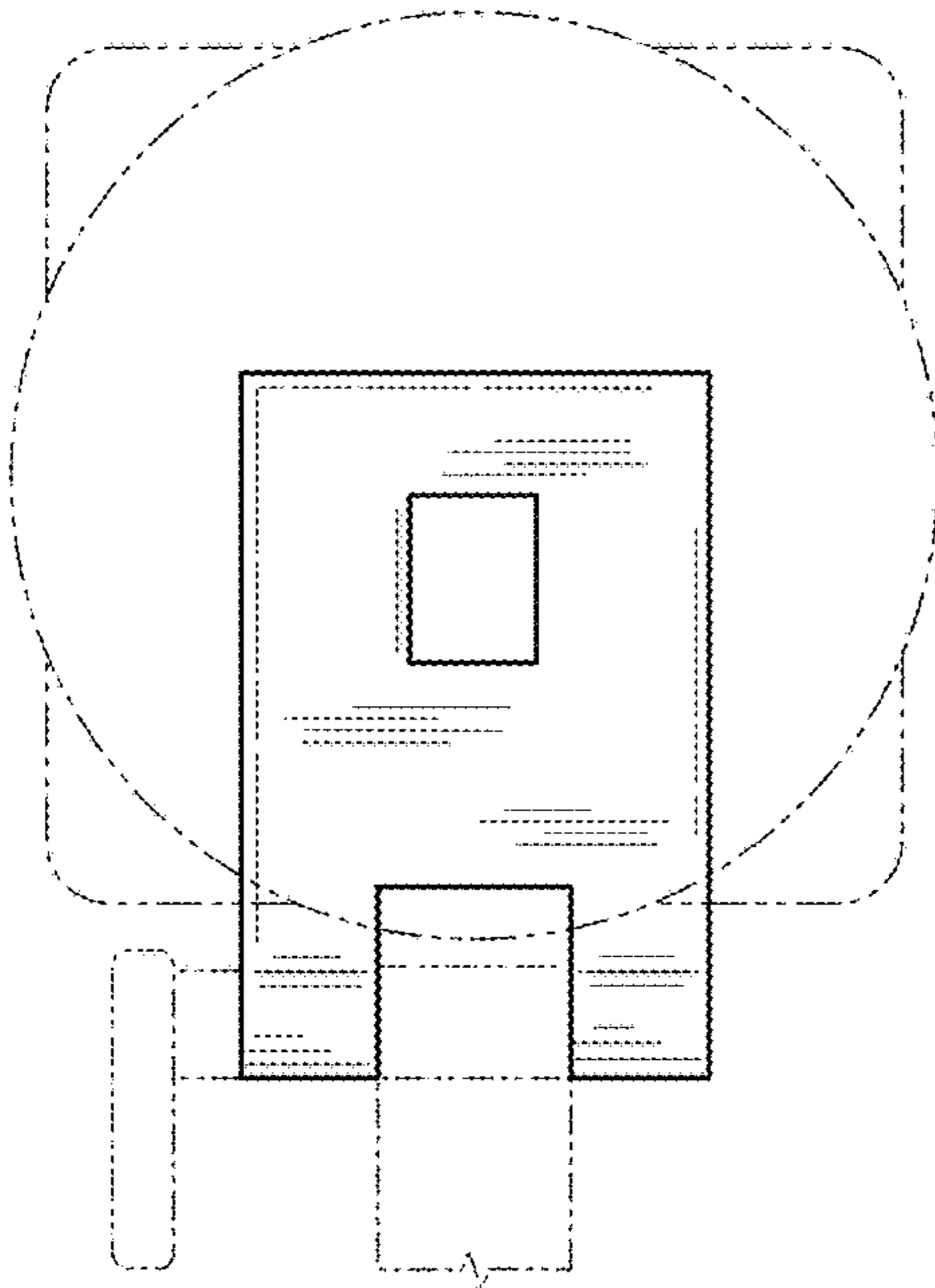


Fig. 19

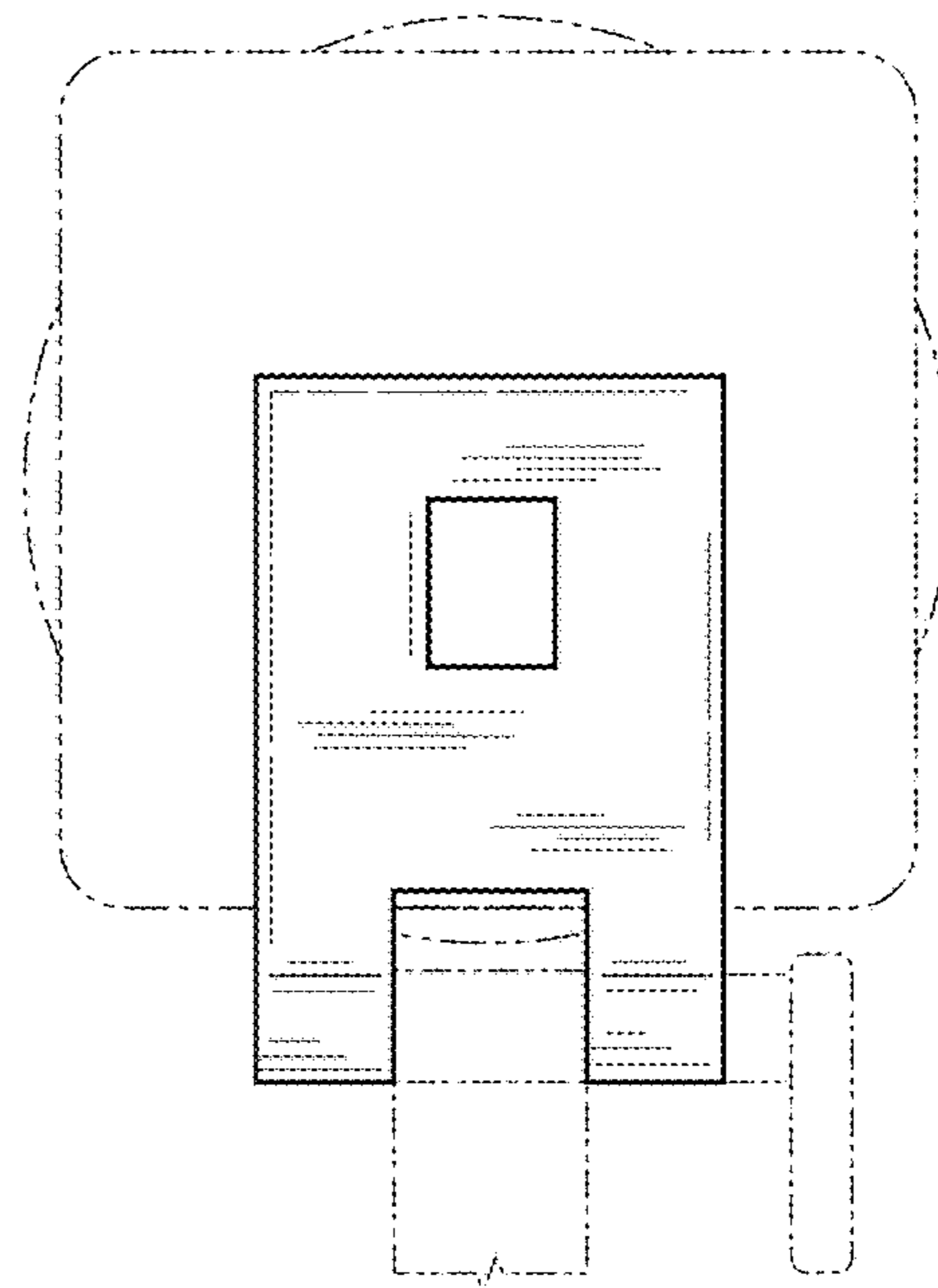


Fig. 20

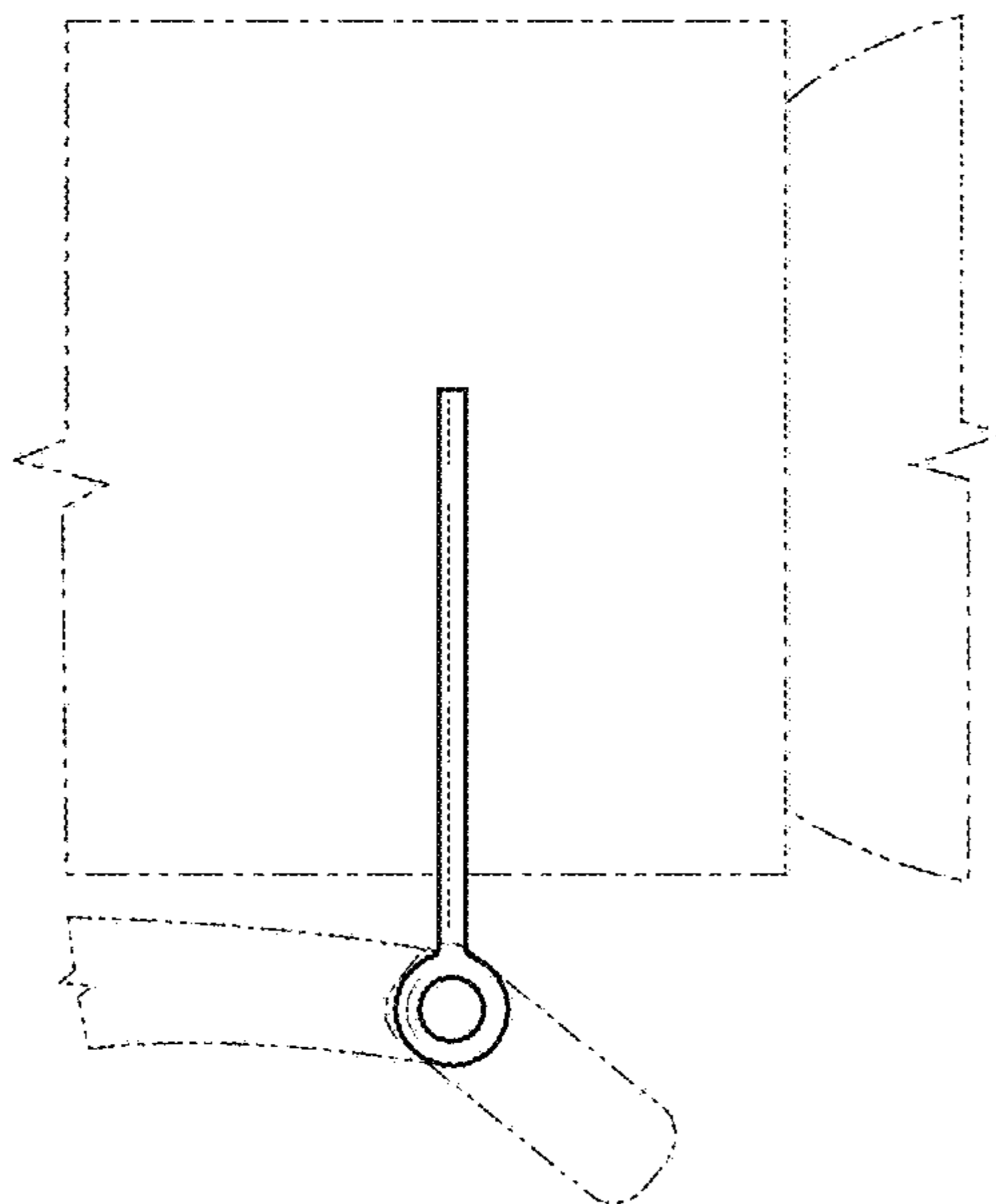


Fig. 21

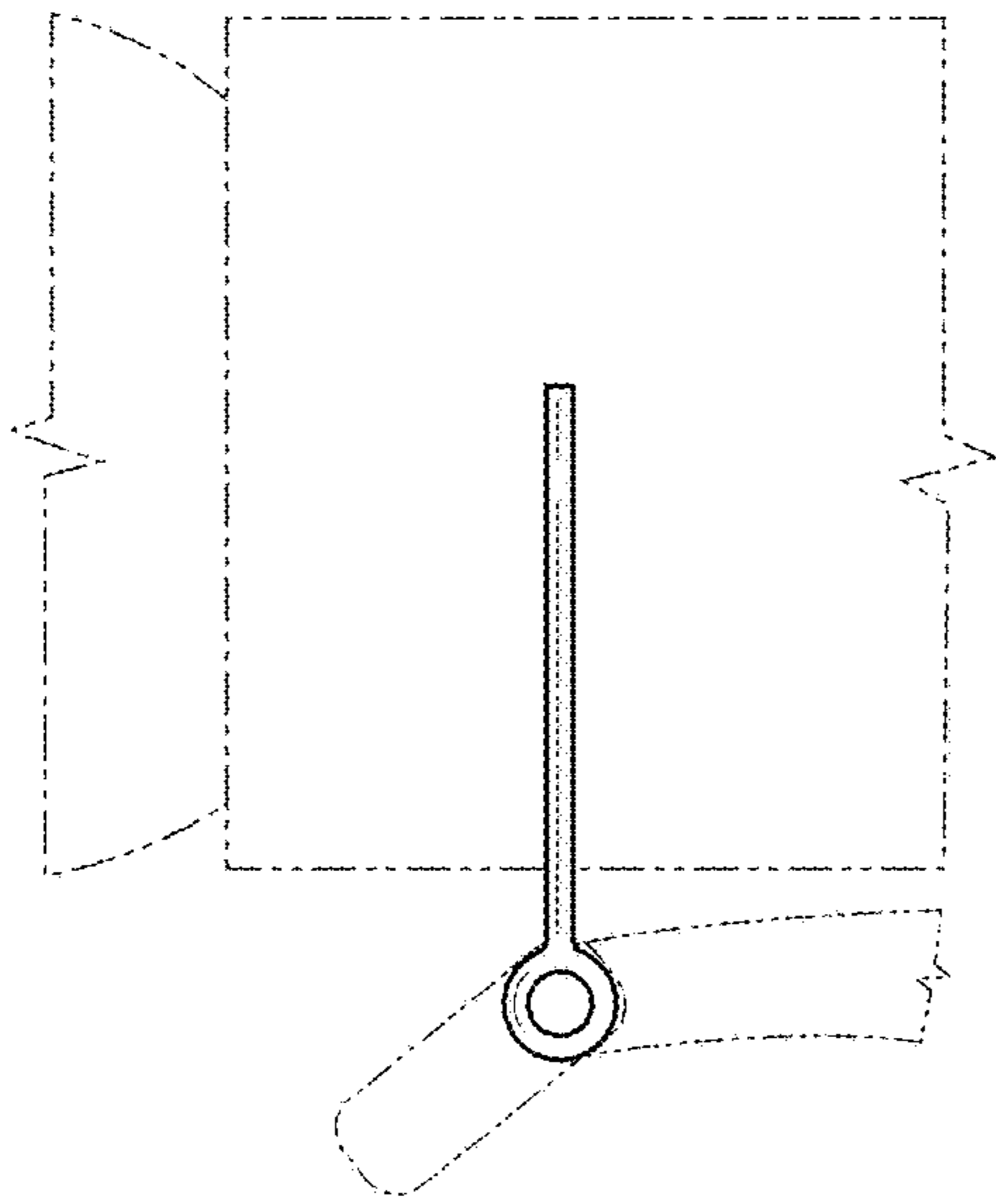


Fig. 22

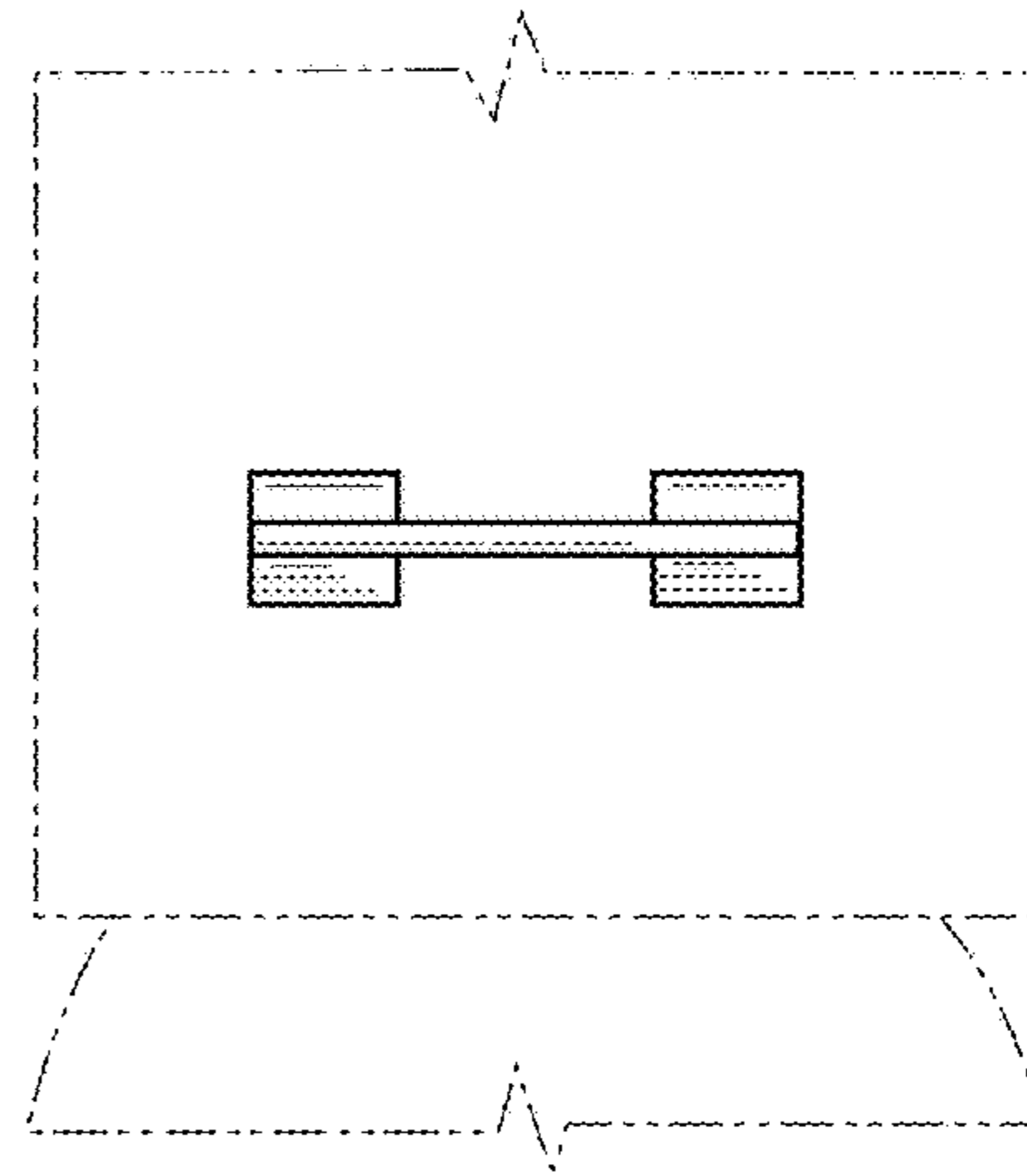


Fig. 23

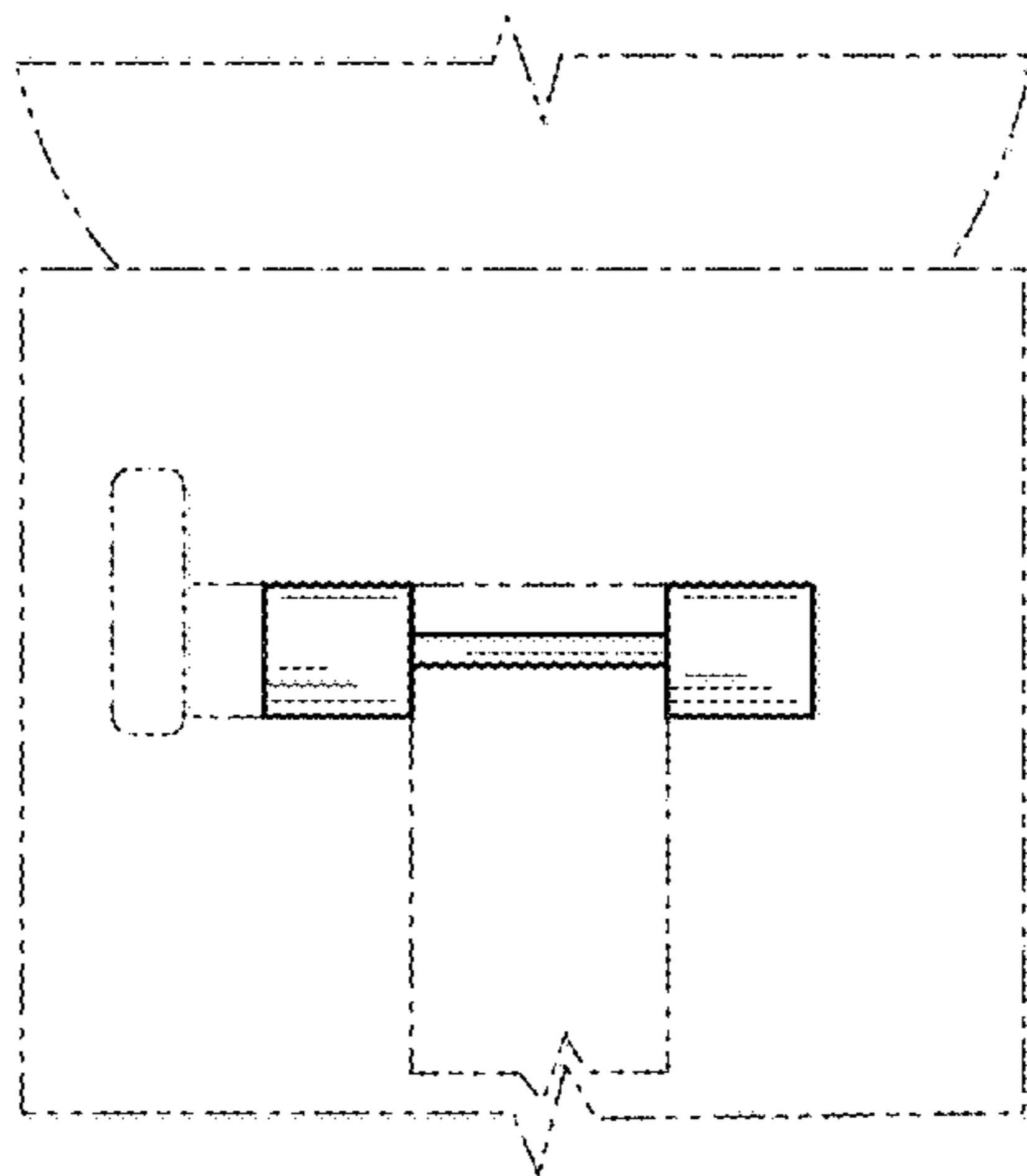


Fig. 24