



US00D812287S

(12) **United States Design Patent**
Wu

(10) **Patent No.:** **US D812,287 S**
(45) **Date of Patent:** **** Mar. 6, 2018**

- (54) **LIGHTHEAD**
- (71) Applicant: **Juluen Enterprise Co., Ltd.**, Shulin District, New Taipei (TW)
- (72) Inventor: **Han Chieh Wu**, New Taipei (TW)
- (73) Assignee: **Juluen Enterprise Co., Ltd.**, New Taipei (TW)
- (**) Term: **15 Years**
- (21) Appl. No.: **29/557,894**
- (22) Filed: **Mar. 14, 2016**
- (51) **LOC (11) Cl.** **26-05**
- (52) **U.S. Cl.**
USPC **D26/138**
- (58) **Field of Classification Search**
USPC D26/76, 78, 79, 80, 81, 82, 83, 85, 86, D26/88, 90, 113, 118, 119, 120, 121, 122, D26/138, 139, 140, 141, 142, 152, 154
CPC F21S 2/00; F21S 4/00; F21S 4/003; F21S 4/005; F21S 4/006; F21S 4/007; F21S 4/008; F21S 6/00; F21S 8/00; F21S 8/024; F21S 8/026; F21S 8/031; F21S 8/033; F21S 8/035–8/037; F21S 8/04; F21S 8/043; F21S 8/063
See application file for complete search history.

- D584,843 S * 1/2009 Kosche D26/66
- D604,896 S * 11/2009 Chen D26/142
- D634,885 S * 3/2011 Kim D26/138
- D665,527 S * 8/2012 Harper D26/136
- D676,190 S * 2/2013 Guercio D26/128
- D696,452 S * 12/2013 Gordin D26/118
- D756,027 S * 5/2016 Hamasaki D26/138

* cited by examiner

Primary Examiner — George D. Kirschbaum

Assistant Examiner — Natasha Vujcic

(74) *Attorney, Agent, or Firm* — Winston Hsu

- (56) **References Cited**
U.S. PATENT DOCUMENTS
D315,964 S * 4/1991 Joosten D26/24
D442,717 S * 5/2001 Binsukor D26/63

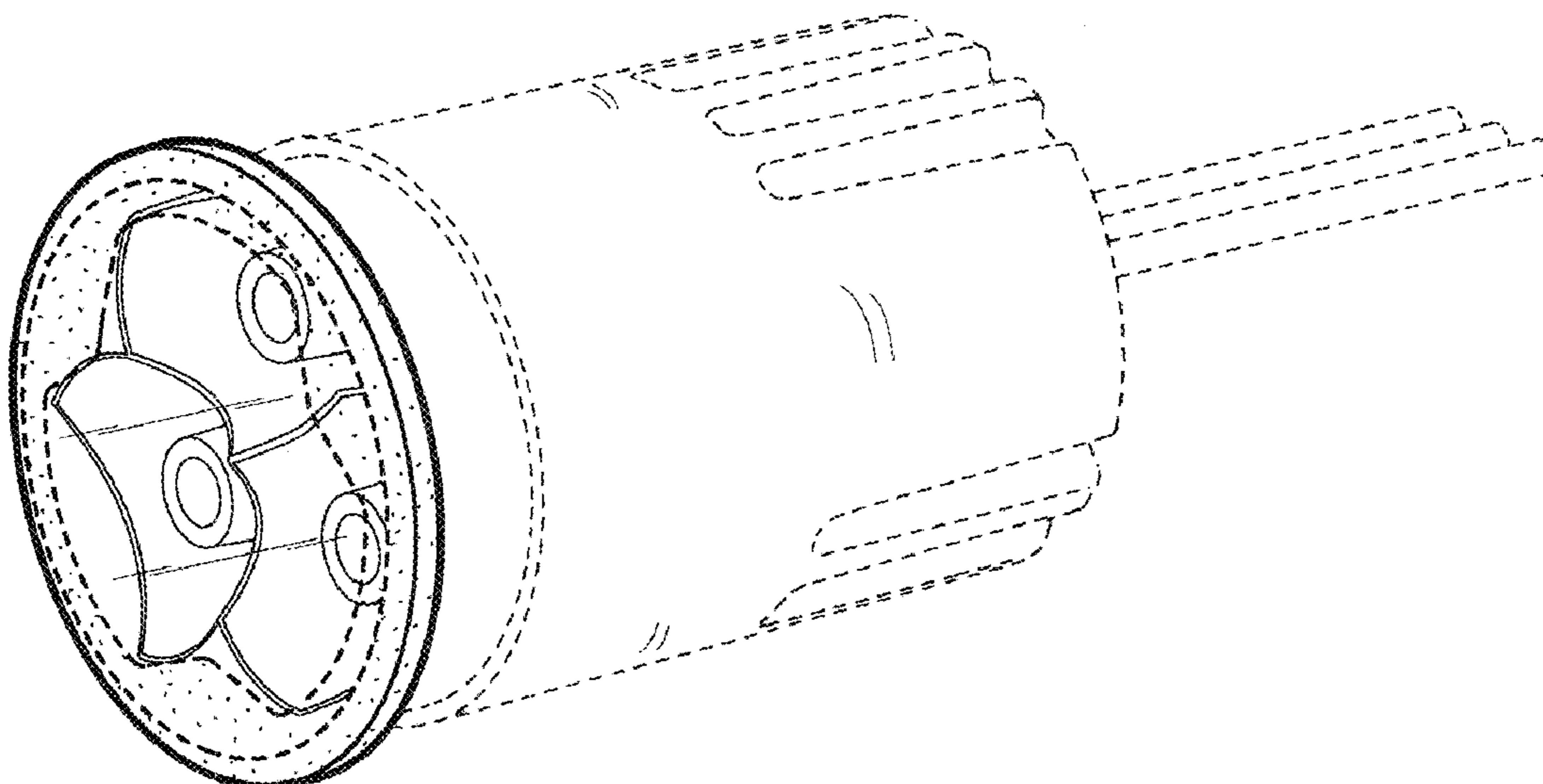
(57) **CLAIM**

The ornamental design for a lighthouse, as shown and described.

DESCRIPTION

FIG. 1 is a front perspective view of a lighthouse;
 FIG. 2 is a rear perspective view of the lighthouse;
 FIG. 3 is a front view of the lighthouse;
 FIG. 4 is a top plan view of the lighthouse;
 FIG. 5 is a right side view of the lighthouse, wherein the left side view is a mirror image thereof; and,
 FIG. 6 is a rear view of the lighthouse.
 The broken lines shown in the figures represent portions of the lighthouse that form no part of the claimed design.

1 Claim, 6 Drawing Sheets



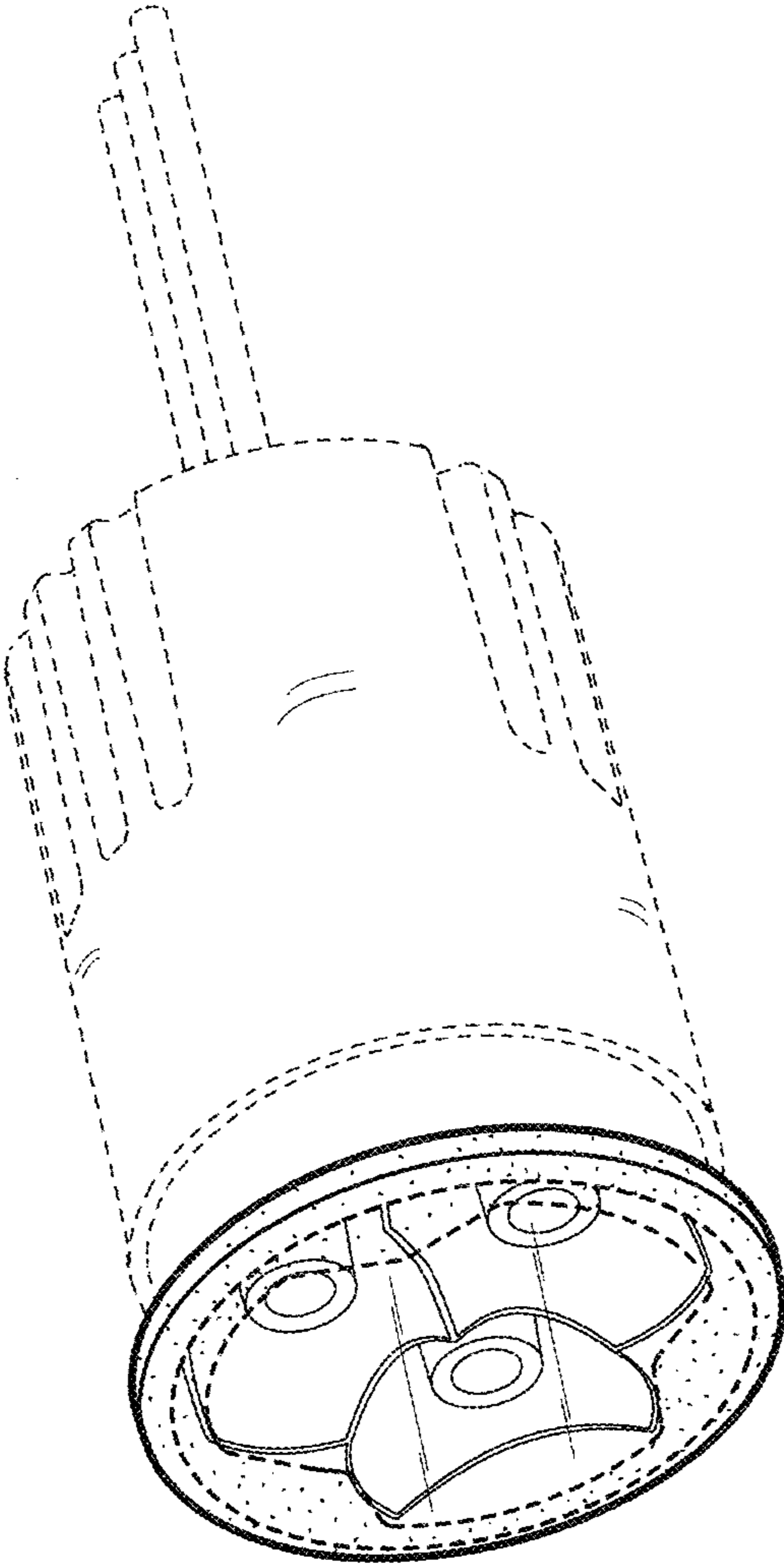


FIG. 1

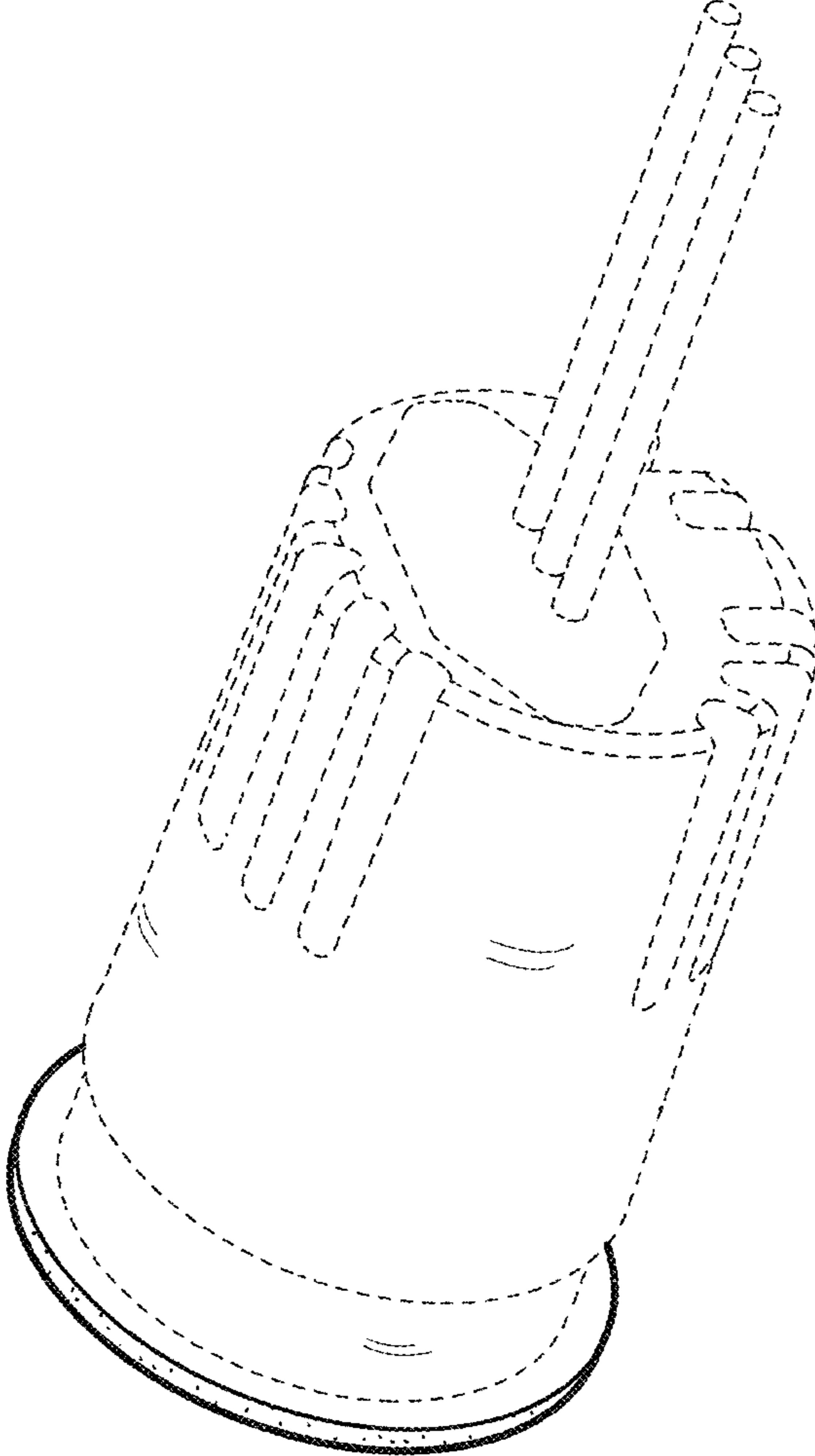


FIG. 2

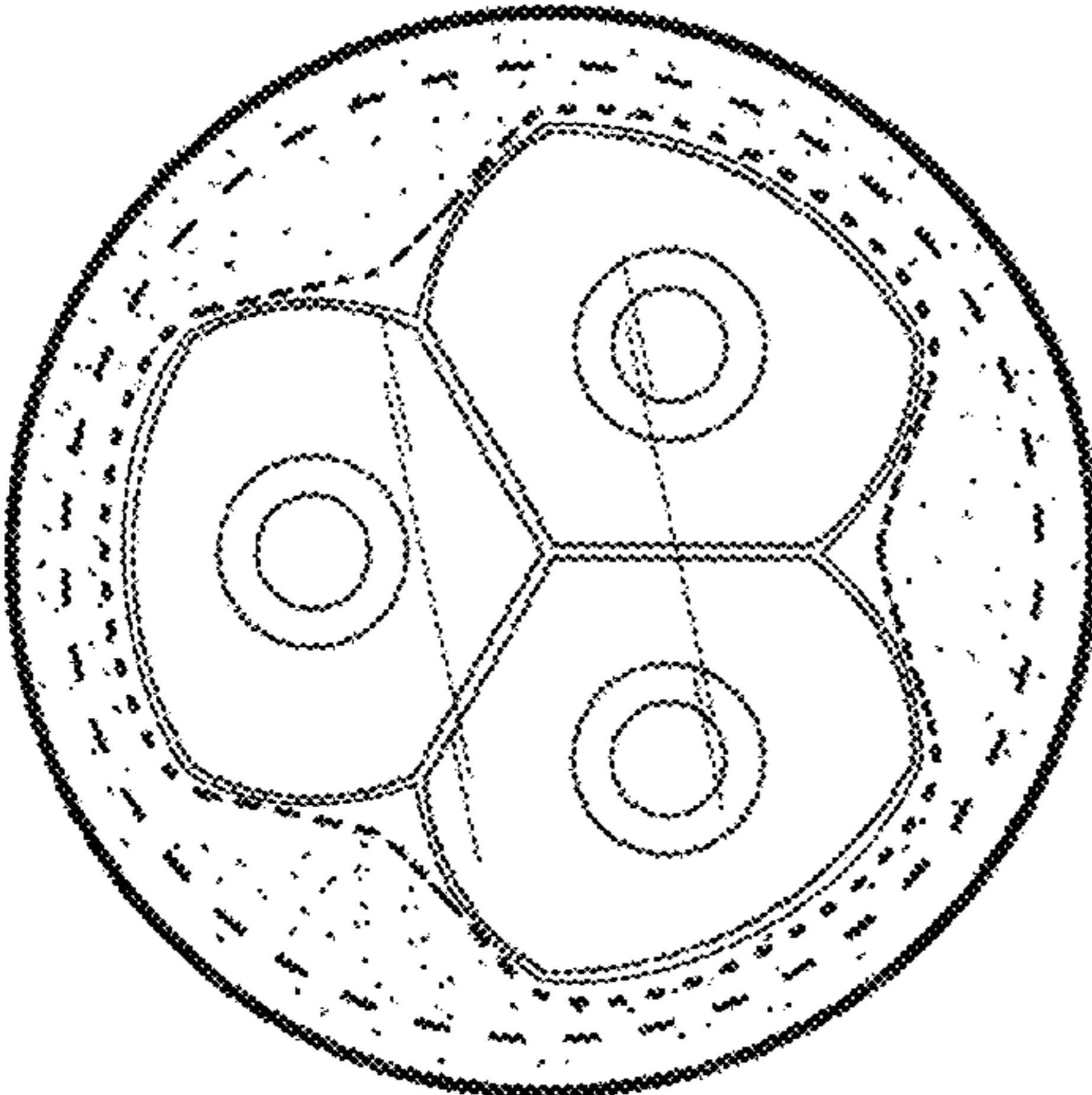


FIG. 3

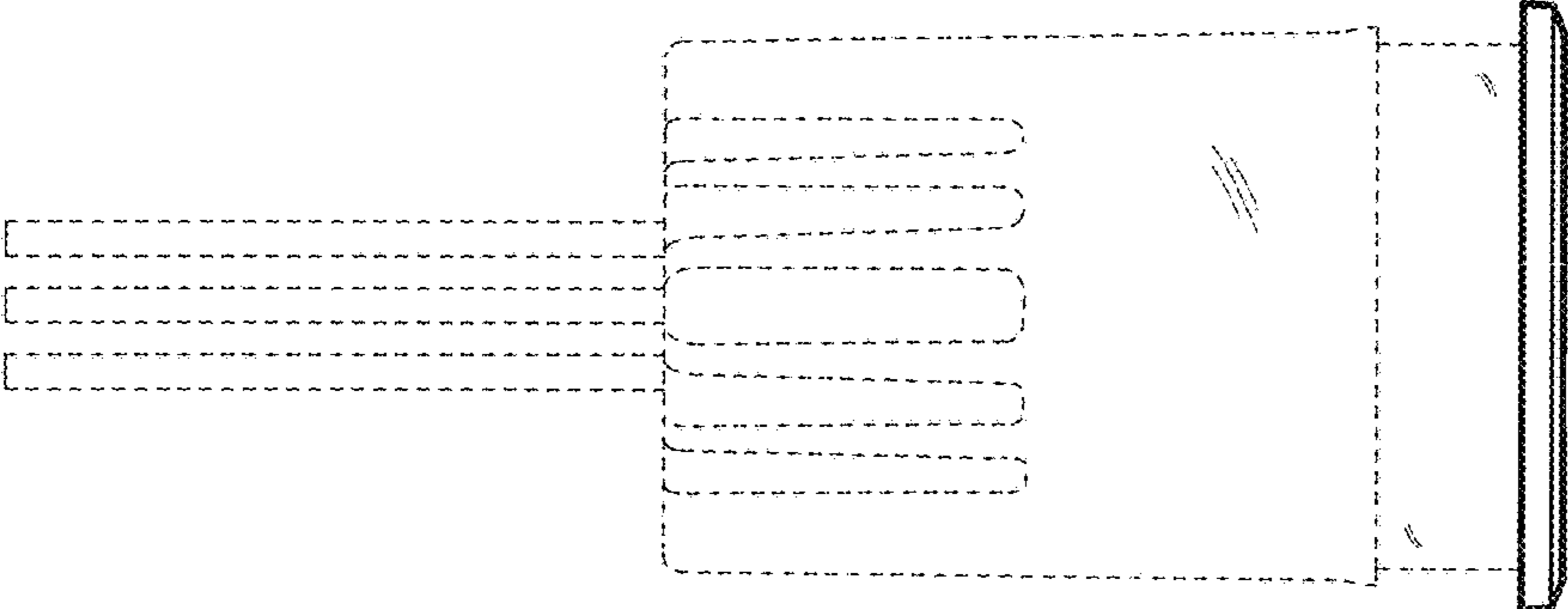


FIG. 4

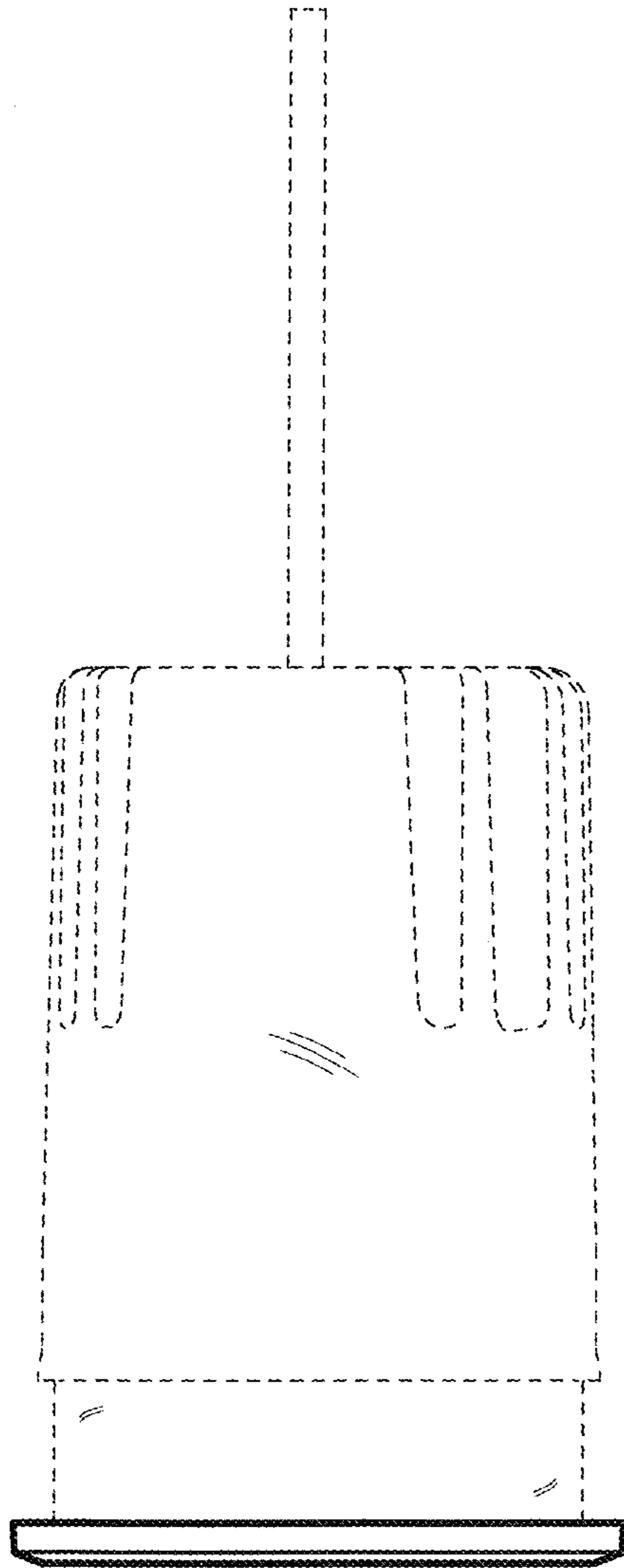


FIG. 5

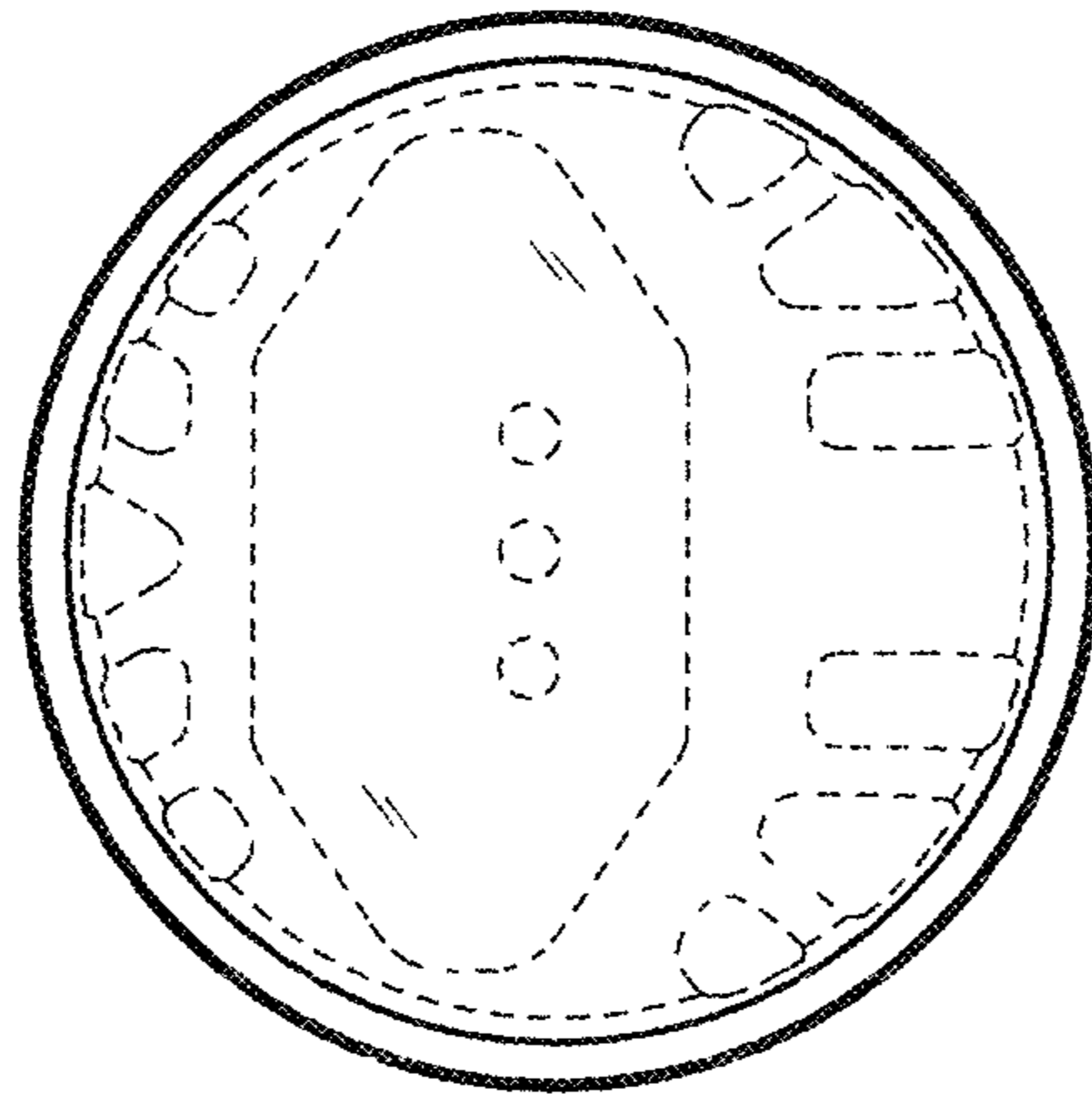


FIG. 6