



US00D812283S

(12) **United States Design Patent**  
**Arndt et al.**

(10) **Patent No.:** **US D812,283 S**  
(45) **Date of Patent:** **\*\* Mar. 6, 2018**

(54) **LUMINAIRE**

(71) Applicant: **Oldenburg Group Incorporated,**  
Milwaukee, WI (US)

(72) Inventors: **Michael A. Arndt,** Franklin, WI (US);  
**Scott Louis Nejedlo,** Random Lake, WI  
(US); **Jay M. Eissner,** Sheboygan, WI  
(US)

(73) Assignee: **Oldenburg Group Incorporated,**  
Milwaukee, WI (US)

(\*\*) Term: **15 Years**

(21) Appl. No.: **29/596,488**

(22) Filed: **Mar. 8, 2017**

**Related U.S. Application Data**

(63) Continuation of application No. 29/559,642, filed on  
Mar. 30, 2016, now Pat. No. Des. 783,196.

(51) **LOC (11) Cl.** ..... **26-03**

(52) **U.S. Cl.**  
USPC ..... **D26/88; D26/90**

(58) **Field of Classification Search**  
USPC ..... D26/72, 80, 81, 84, 85, 86, 88, 90, 91,  
D26/118, 138, 142

(Continued)

(56) **References Cited**

**U.S. PATENT DOCUMENTS**

D45,313 S 2/1914 Schoenhardt  
D45,539 S \* 3/1914 Meyers ..... D26/90  
(Continued)

**OTHER PUBLICATIONS**

“Meridian Round” pendant found at visalighting.com visited Sep.  
27, 2017. (4 pages).\*

(Continued)

*Primary Examiner* — Clare E Heflin

(74) *Attorney, Agent, or Firm* — Michael Best &  
Friedrich LLP

(57) **CLAIM**

We claim the ornamental design for a luminaire, as shown  
and described.

**DESCRIPTION**

FIG. 1 is a perspective view of a luminaire showing a first  
embodiment of the new design;

FIG. 2 is a front view of the luminaire shown in FIG. 1.

FIG. 3 is a rear view of the luminaire shown in FIG. 1.

FIG. 4 is a right side view of the luminaire shown in FIG.  
1.

FIG. 5 is a left side view of the luminaire shown in FIG. 1.

FIG. 6 is a top view of the luminaire shown in FIG. 1.

FIG. 7 is a bottom view of the luminaire shown in FIG. 1.

FIG. 8 is a perspective view of a luminaire showing a second  
embodiment of the new design;

FIG. 9 is a front view of the luminaire shown in FIG. 8.

FIG. 10 is a rear view of the luminaire shown in FIG. 8.

FIG. 11 is a right side view of the luminaire shown in FIG.  
8.

FIG. 12 is a left side view of the luminaire shown in FIG. 8.

FIG. 13 is a top view of the luminaire shown in FIG. 8.

FIG. 14 is a bottom view of the luminaire shown in FIG. 8.

FIG. 15 is a perspective view of a luminaire showing a third  
embodiment of the new design;

FIG. 16 is a front view of the luminaire shown in FIG. 15.

FIG. 17 is a rear view of the luminaire shown in FIG. 15.

FIG. 18 is a right side view of the luminaire shown in FIG.  
15.

FIG. 19 is a left side view of the luminaire shown in FIG. 15.

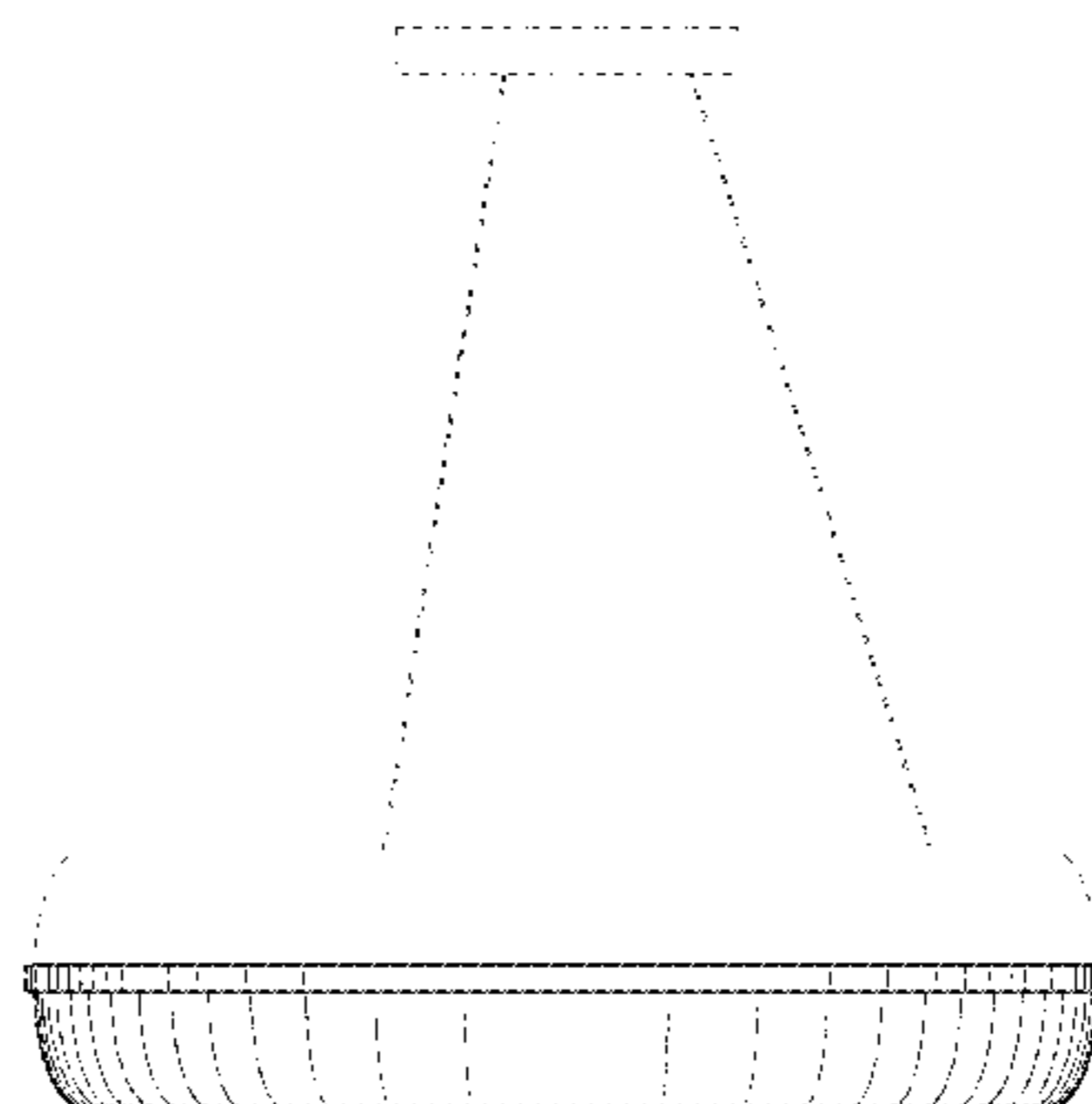
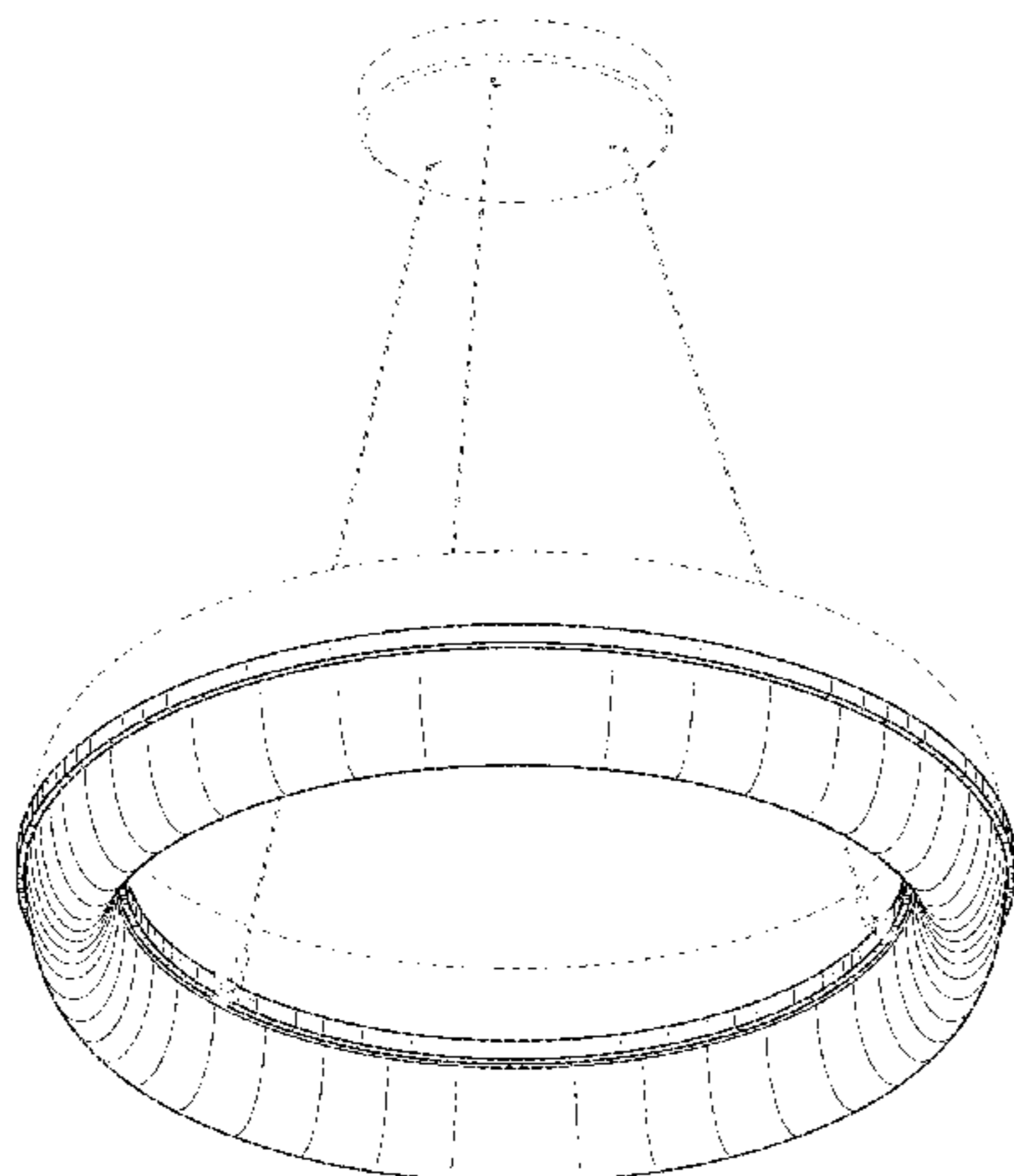
FIG. 20 is a top view of the luminaire shown in FIG. 15; and,

FIG. 21 is a bottom view of the luminaire shown in FIG. 15.

The broken lines shown represent unclaimed subject matter  
and form no part of the claimed design.

Any line in a drawing may provide a boundary line of a  
claimed design element. Broken lines having unequal length  
segments may be used to illustrate the boundary of the  
claimed design and form no part of the claimed design. A  
boundary line of a claimed design element may also be

(Continued)



defined in an area between lines in a drawing. An element or a subset of any combination of elements in a drawing may form a claimed design.

**1 Claim, 15 Drawing Sheets**

(58) **Field of Classification Search**

CPC .... F21S 8/043; F21S 8/046; F21S 8/06; F21S 8/061; F21S 8/063; F21S 8/065; F21S 8/066; F21S 8/068; F21V 21/008; F21V 21/02; F21V 21/03; F21V 21/112; F21V 21/38

See application file for complete search history.

(56) **References Cited**

U.S. PATENT DOCUMENTS

1,090,795	A *	3/1914	Schoenhardt .....	F21V 3/00 362/355
D90,938	S	10/1933	Beck	
D90,939	S *	10/1933	Beck .....	D26/88
D100,677	S *	8/1936	Sibbert .....	D26/88
D128,478	S	7/1941	Carter, Jr.	
D129,362	S *	9/1941	Pieper .....	D26/88
D315,612	S	3/1991	Hughes	
D321,408	S	11/1991	Hughes	
D321,933	S	11/1991	Markwardt	
D477,104	S	7/2003	Wang	
D482,484	S	11/2003	Benghozi	

D482,485	S	11/2003	Benghozi	
D593,704	S	6/2009	Lovegrove	
D596,338	S	7/2009	Sabernig	
D618,843	S *	6/2010	Sabernig .....	D26/88
D672,493	S	12/2012	Lee	
D698,983	S	2/2014	Rampolla	
D728,842	S *	5/2015	Arola Ferrer .....	D26/88
D762,910	S *	8/2016	Park .....	D26/88
D768,905	S	10/2016	Sonneman	
D768,906	S	10/2016	Sonneman	
D783,196	S *	4/2017	Arndt .....	D26/90
D783,197	S *	4/2017	Arndt .....	D26/90
2013/0329424	A1 *	12/2013	Clark .....	F21S 8/061 362/235
2015/0285451	A1	10/2015	Luo et al.	
2015/0338038	A1	11/2015	Felt et al.	

OTHER PUBLICATIONS

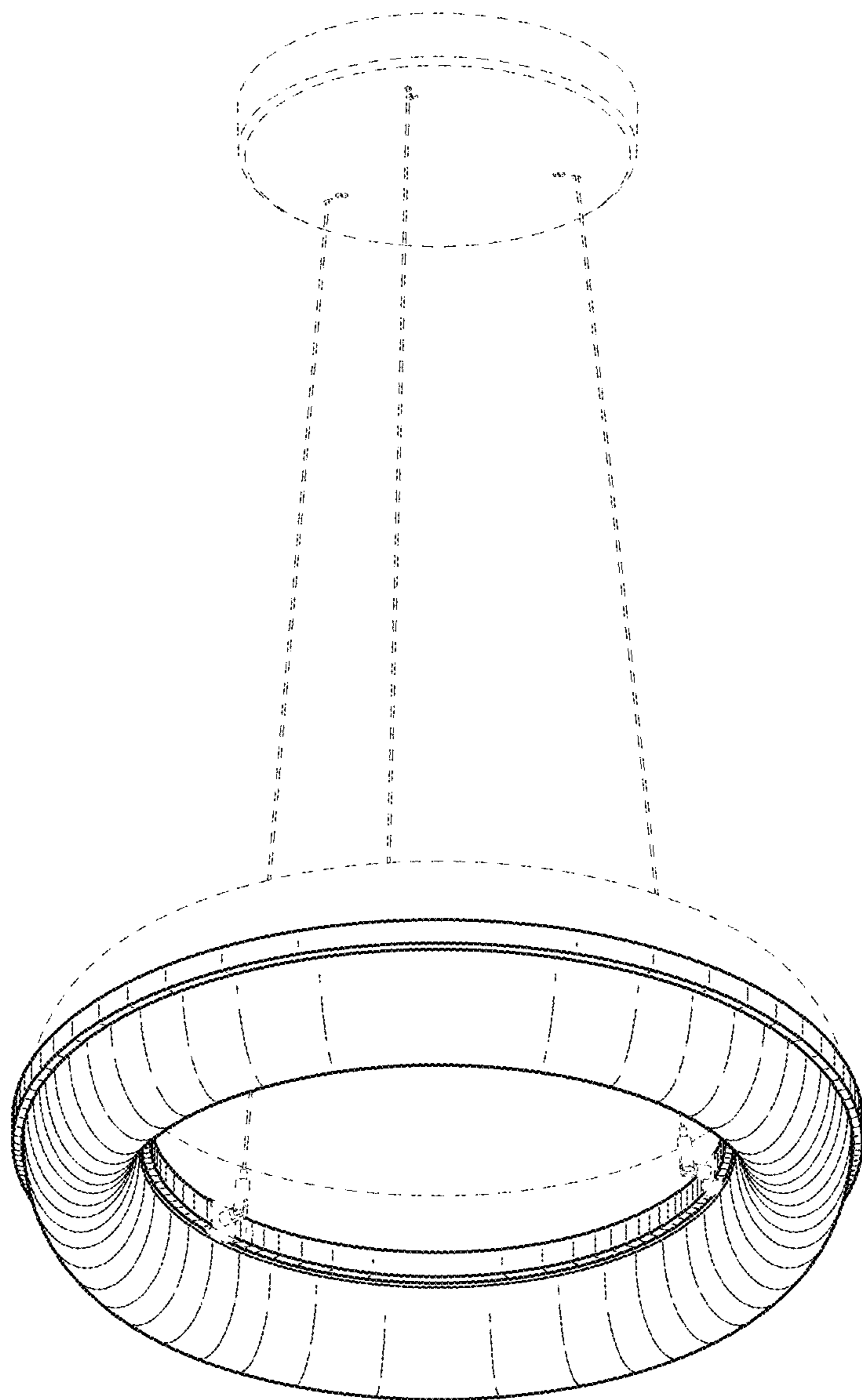
“P2432 Pendant”, Cammonlighting.com, 2016, <http://cammanlighting.com/fixtures/pendants/p2432-details>, 2 pages, Cammon Lighting, Derry, Pennsylvania.

“Zenith Series”, Prulite.com, <http://www.prulite.com/series/zenith/>, 2 pages, Prudential LTG., Los Angeles, California.

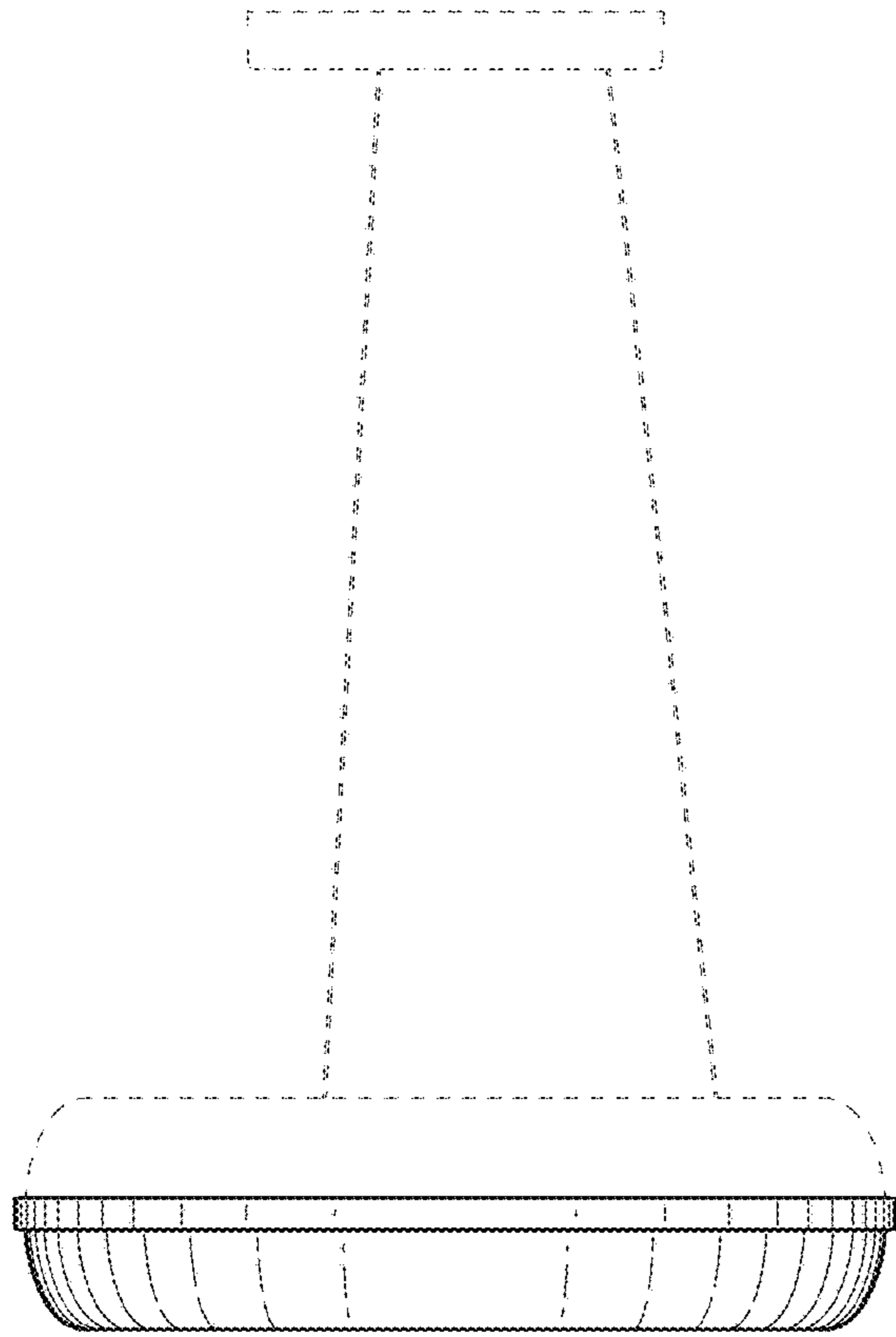
“Cylindro II Lux White LED with Opal Acrylic Diffuser”, delraylighting.com, [http://www.delraylighting.com/spec\\_pg\\_pdfs/cylindro2\\_lux.pdf](http://www.delraylighting.com/spec_pg_pdfs/cylindro2_lux.pdf), Feb. 2016, 2 pages, Delray Lighting Inc., Burbank, California.

“Cylindro III Lux White LED with Opal Acrylic Diffuser”, [http://www.delraylighting.com/spec\\_pg\\_pdfs/cylindro3\\_lux.pdf](http://www.delraylighting.com/spec_pg_pdfs/cylindro3_lux.pdf), Feb. 2016, 2 pages, Delray Lighting Inc., Burbank, California.

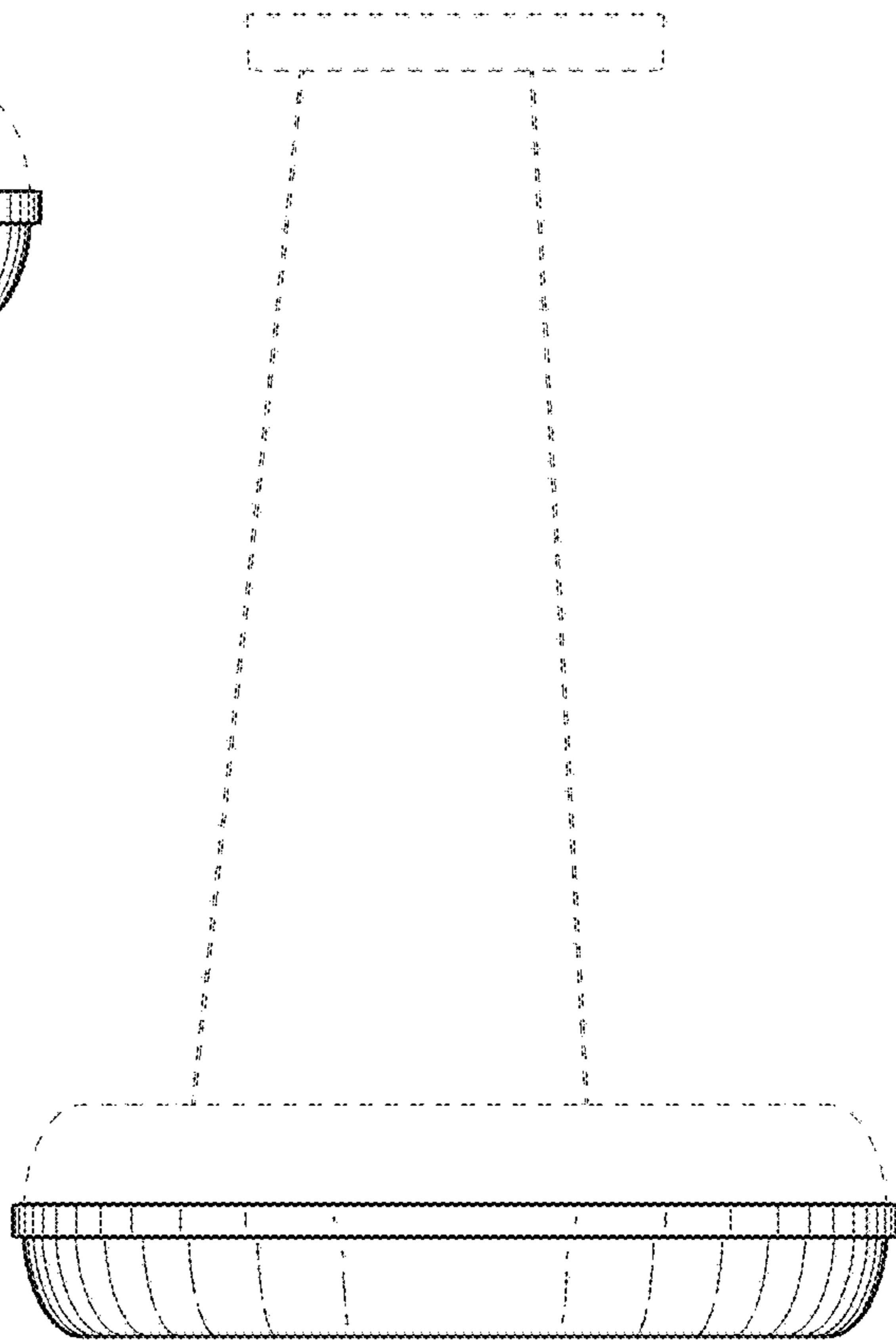
\* cited by examiner



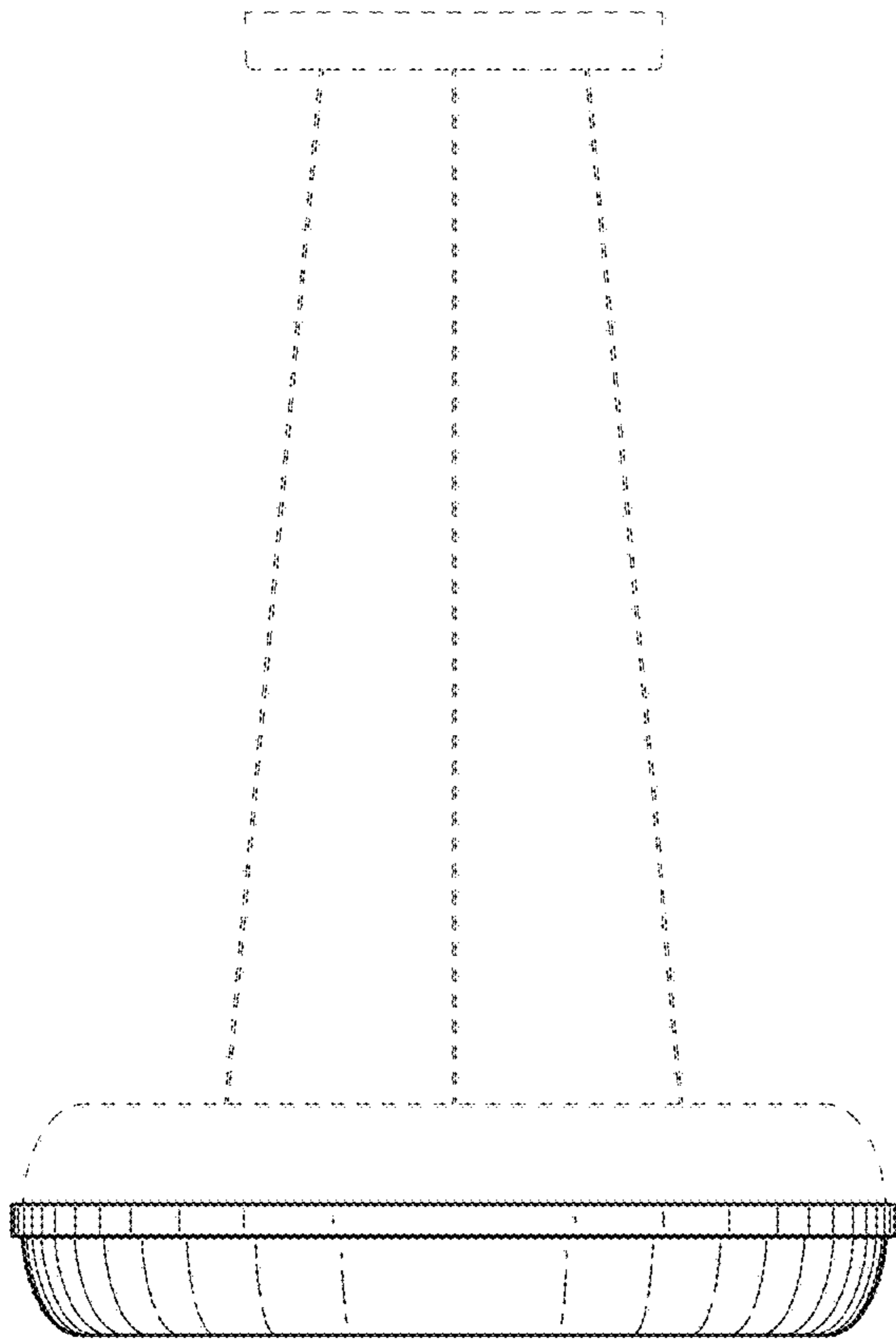
**FIG. 1**



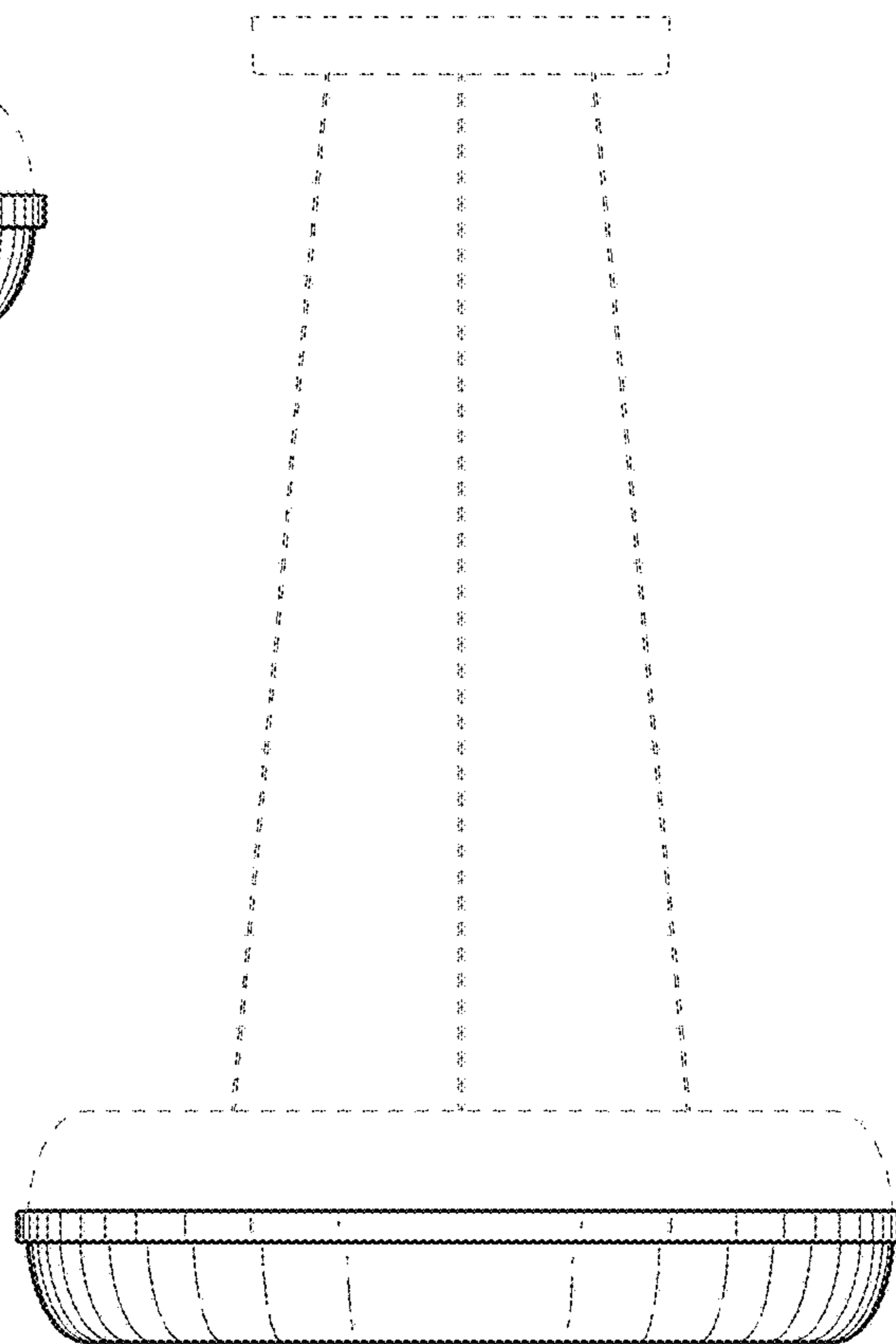
**FIG. 2**



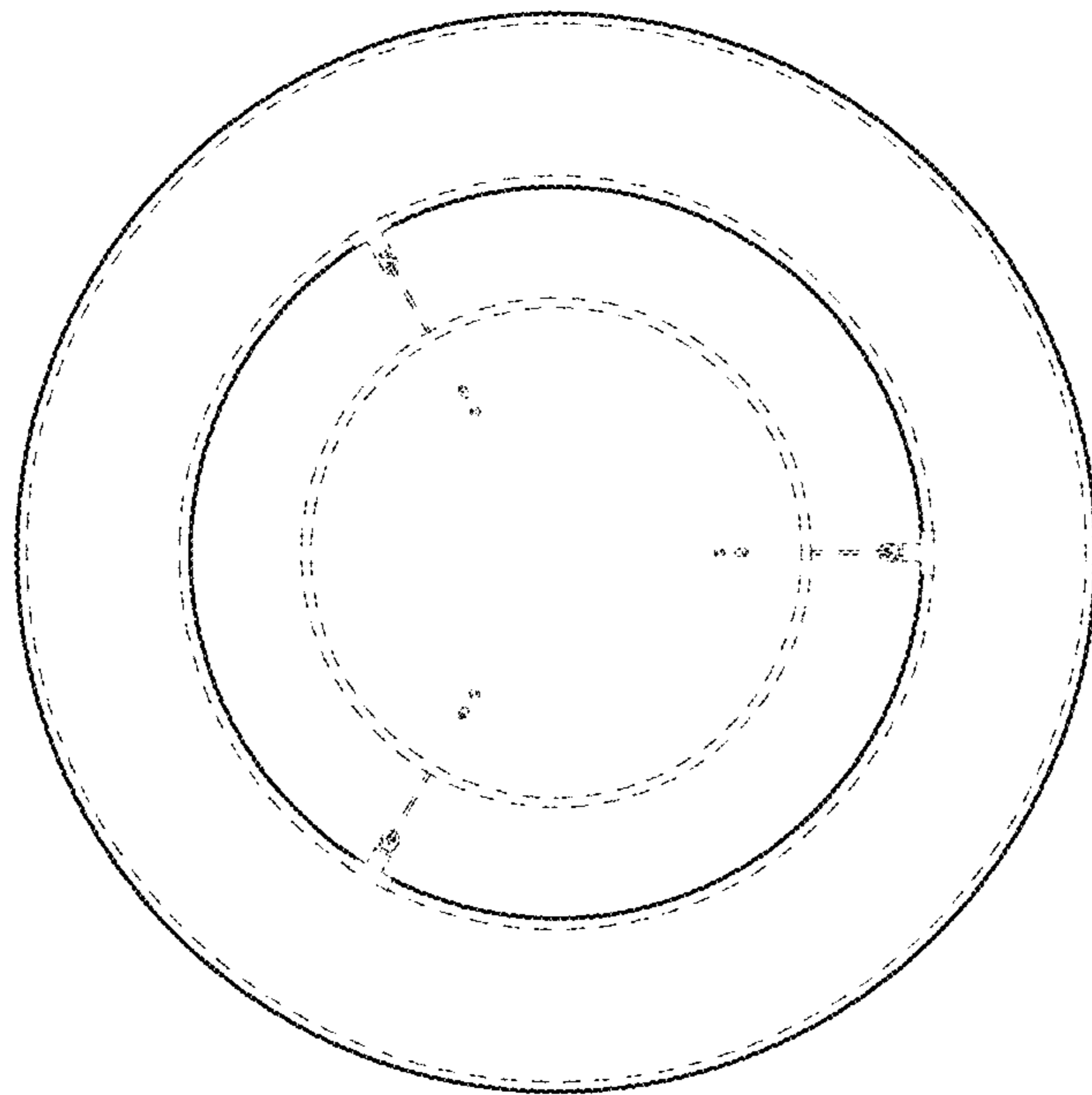
**FIG. 3**



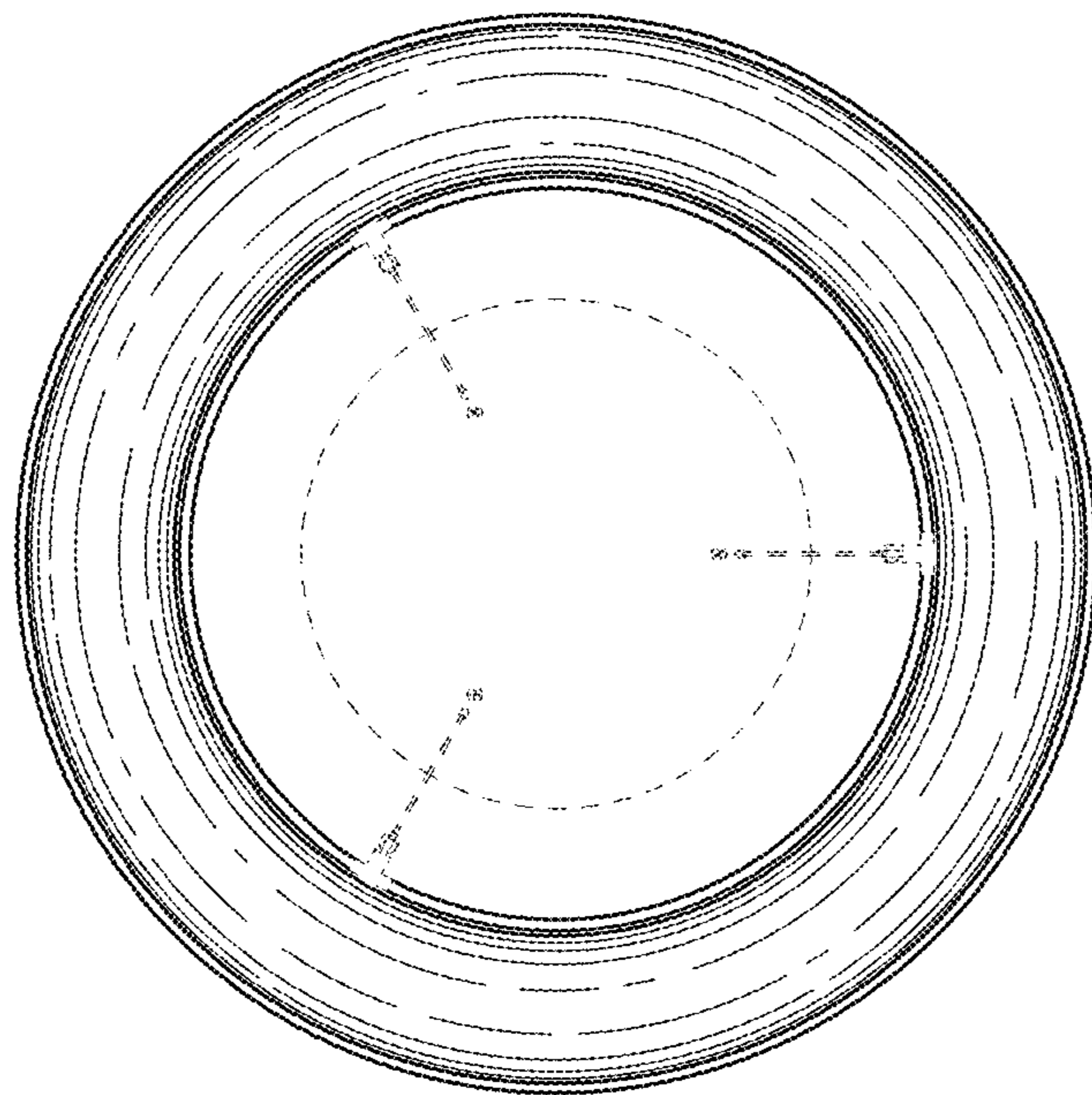
**FIG. 4**



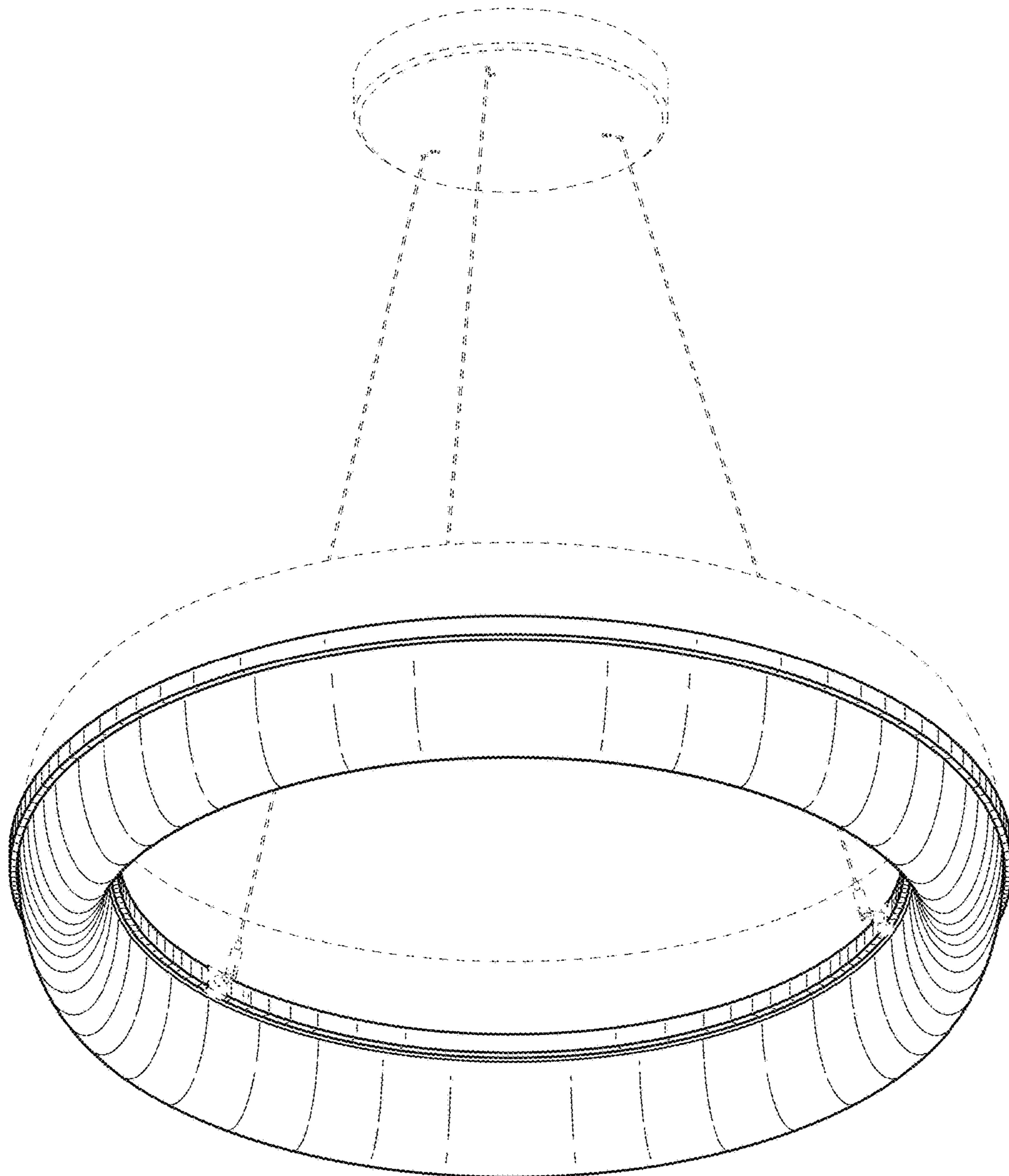
**FIG. 5**



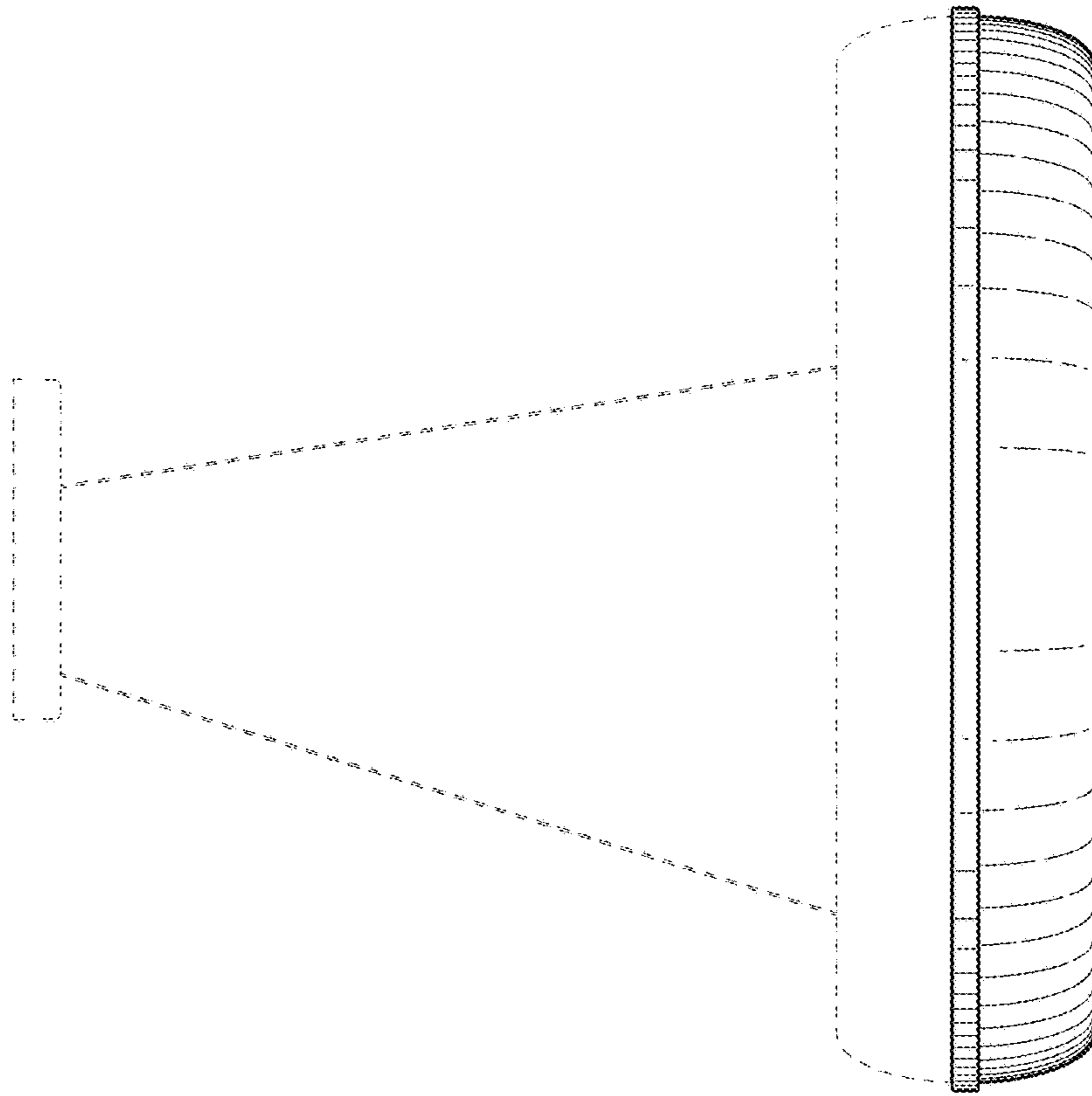
**FIG. 6**



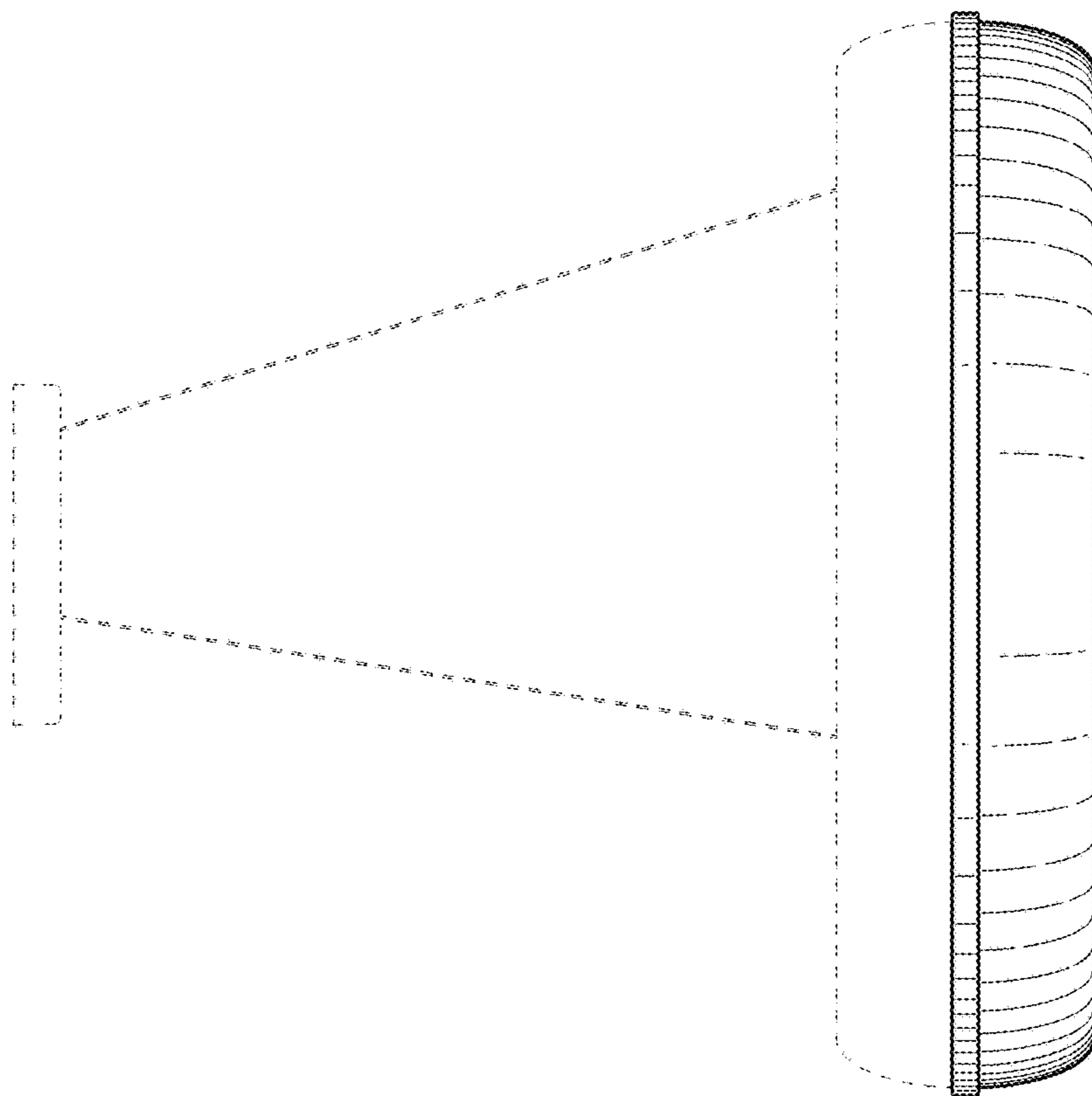
**FIG. 7**



**FIG. 8**



**FIG. 9**



**FIG. 10**



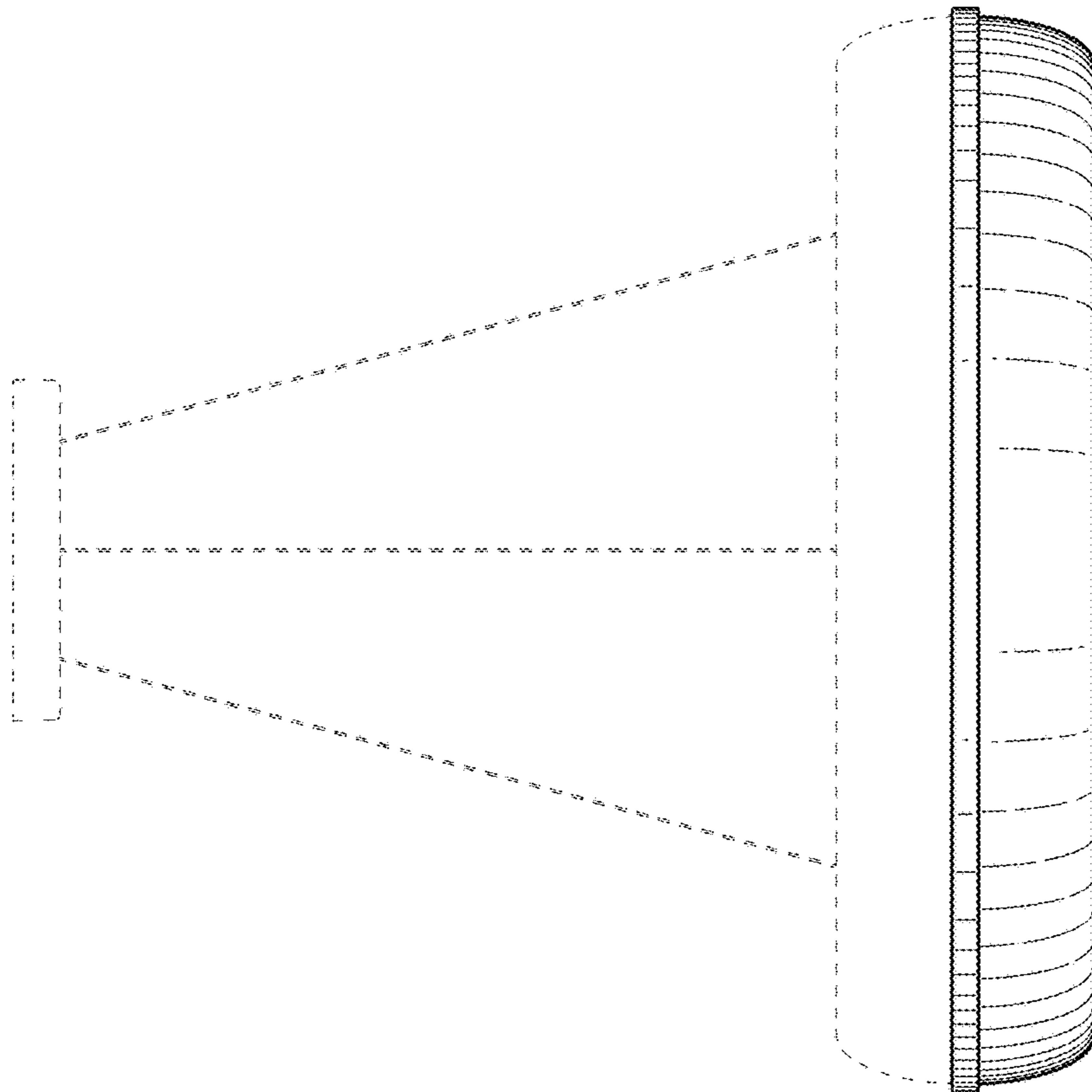


FIG. 11

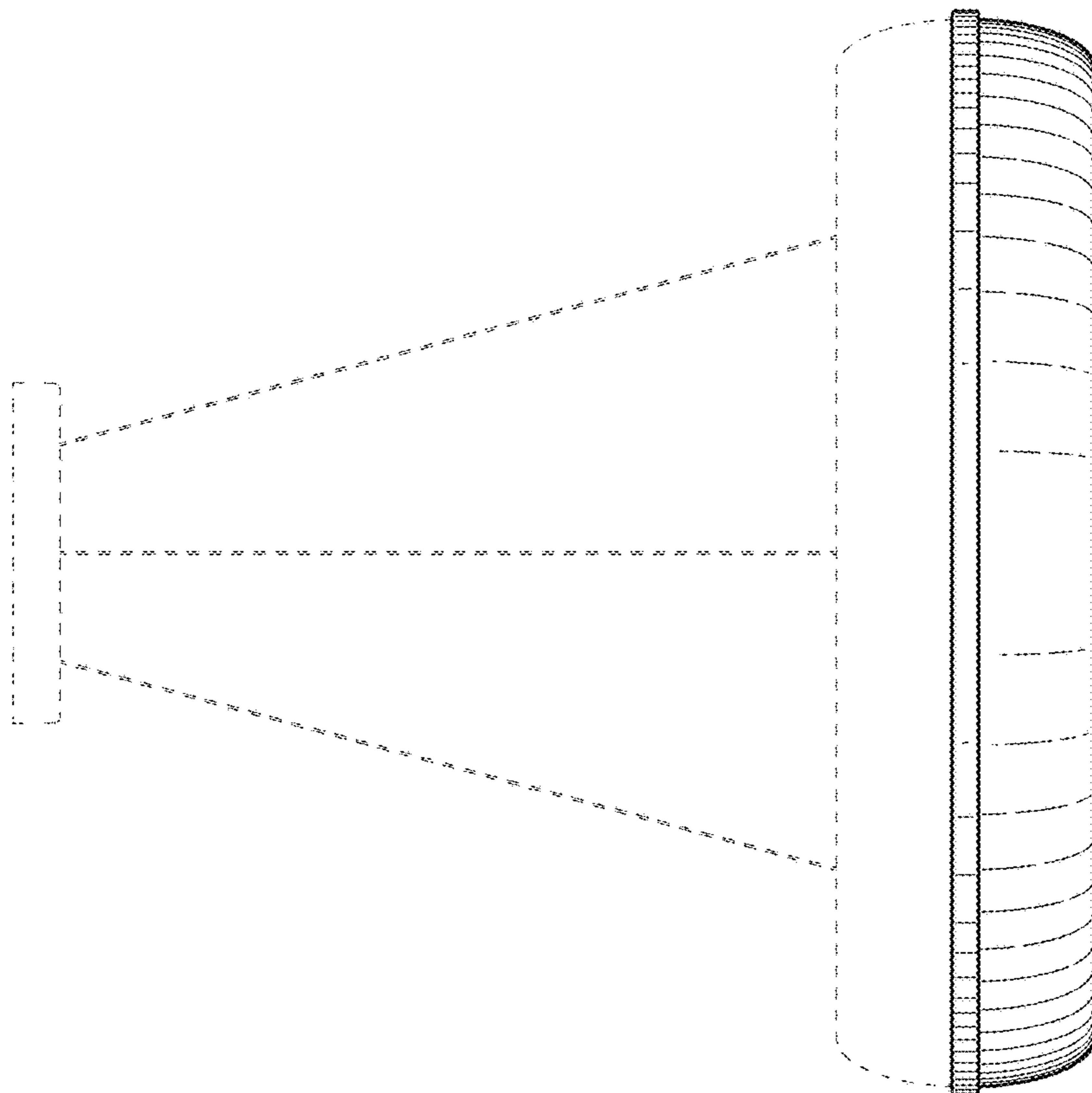
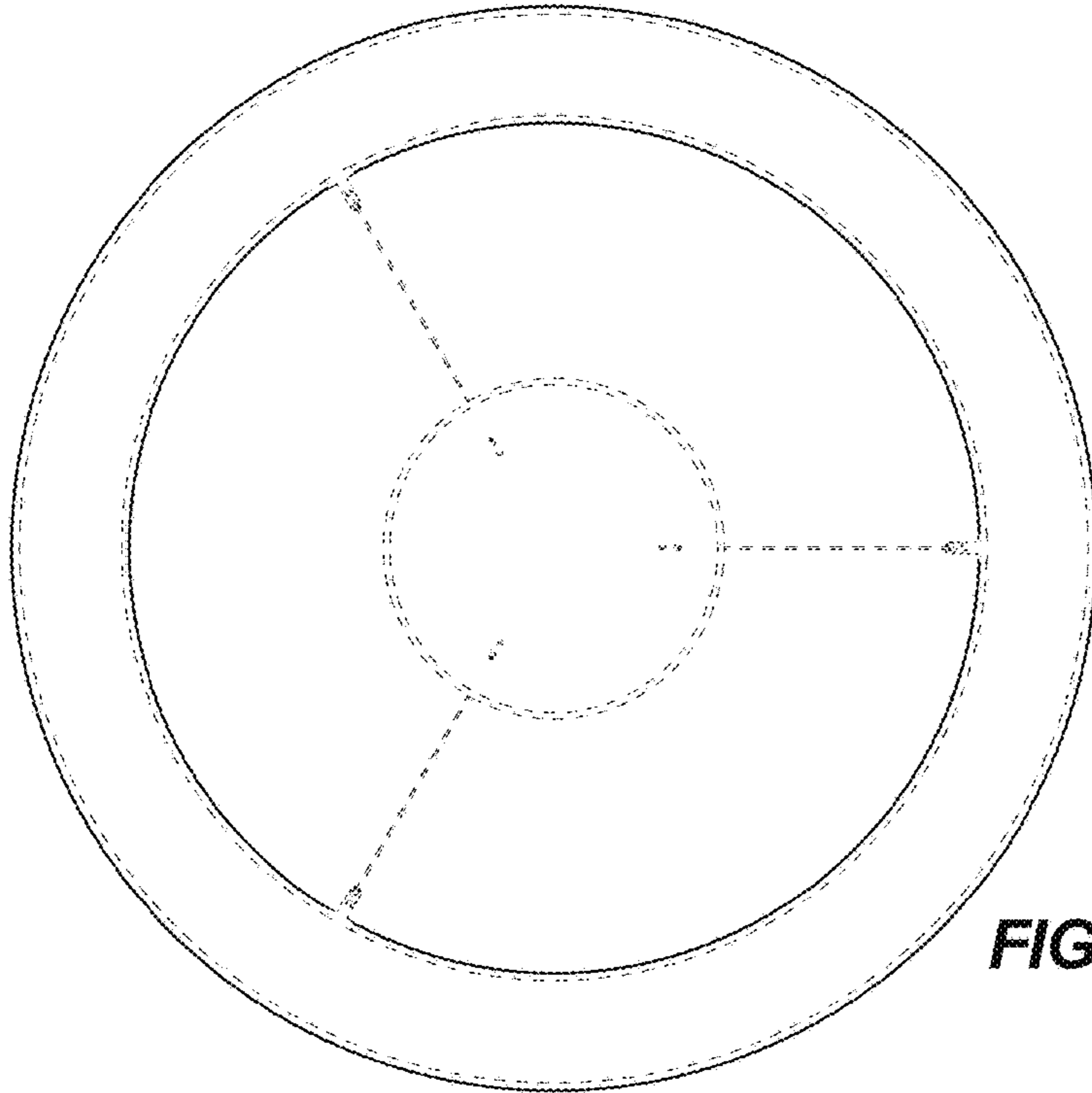
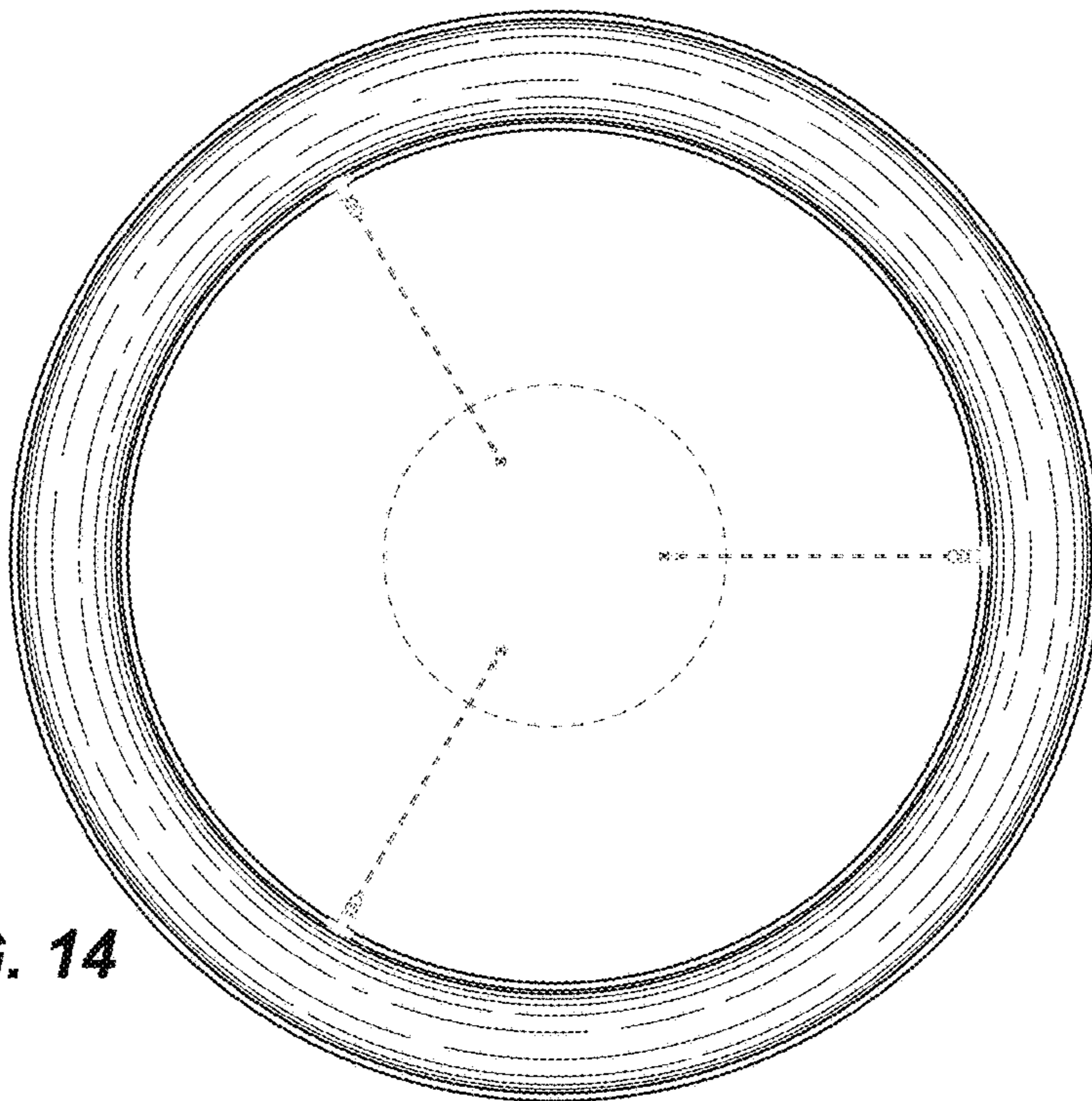


FIG. 12



**FIG. 13**



**FIG. 14**

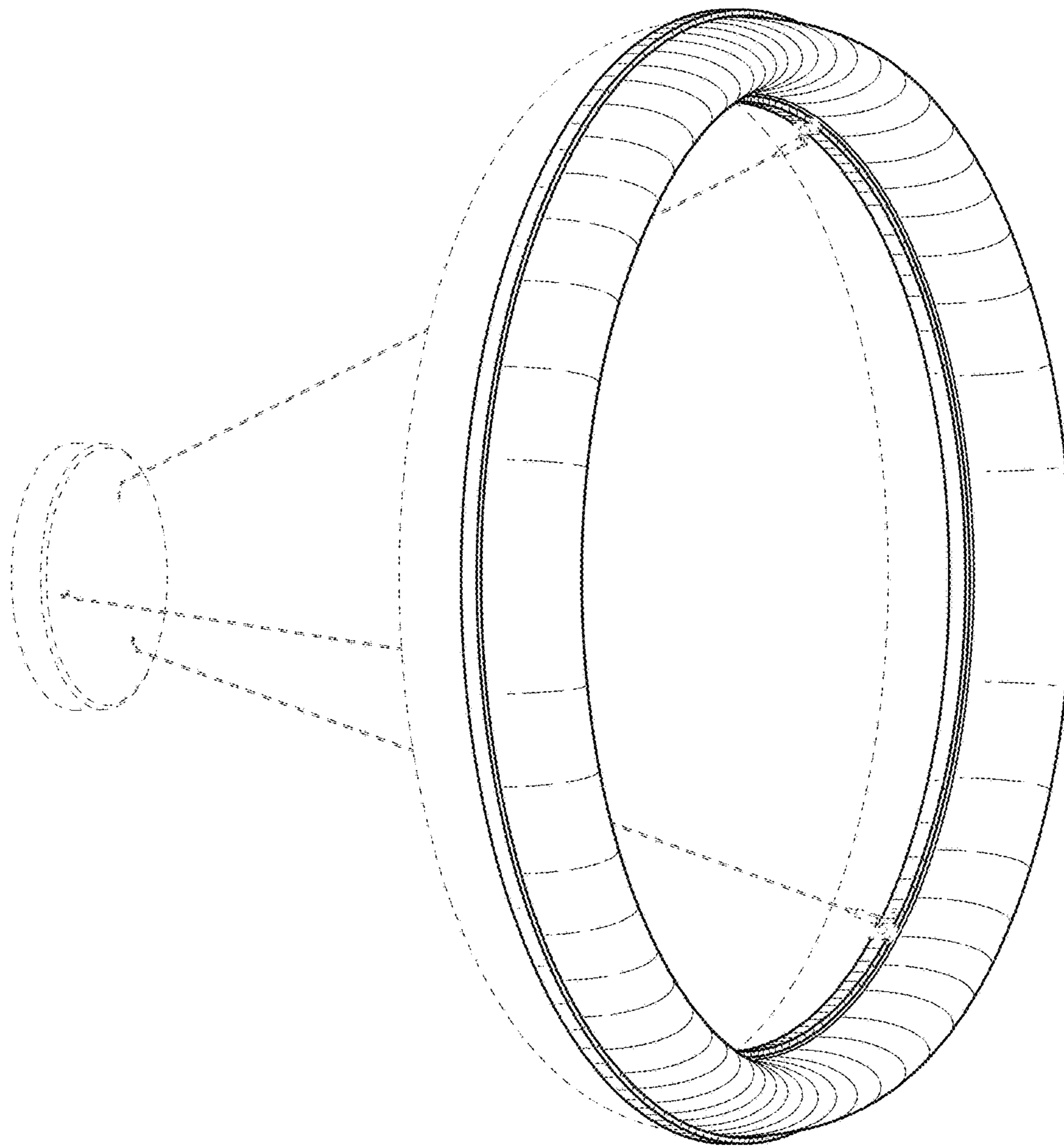
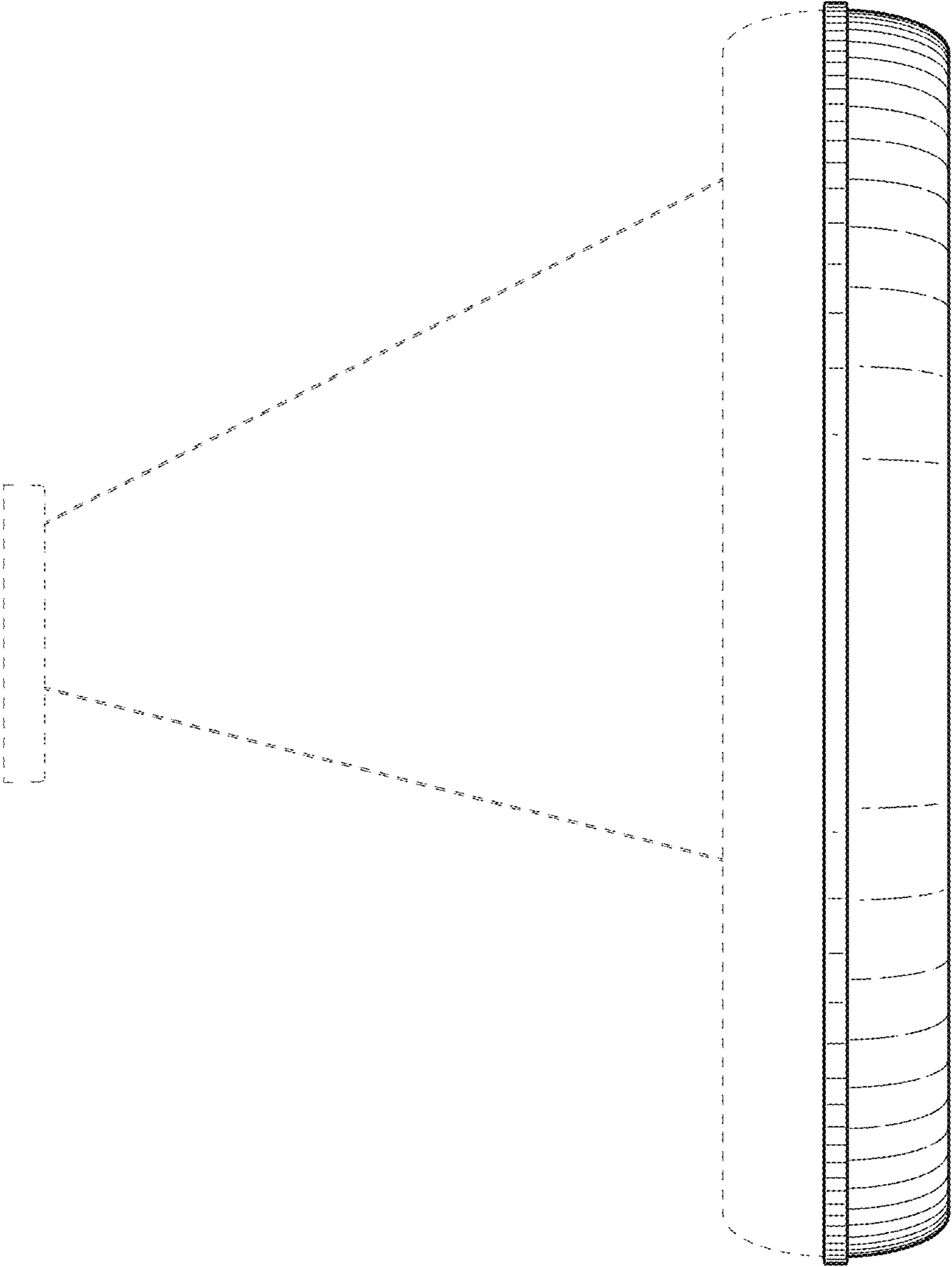
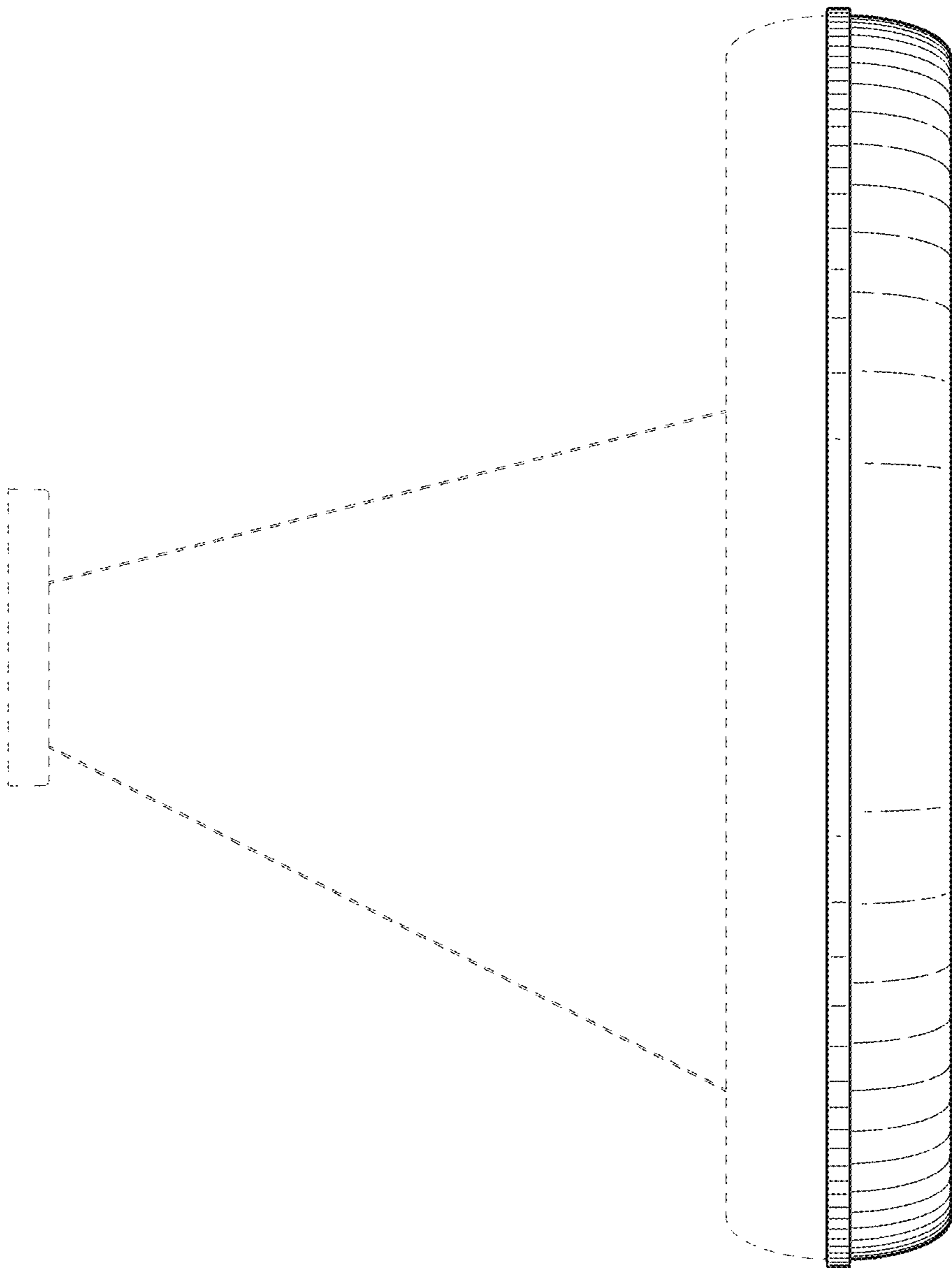


FIG. 15



**FIG. 16**



**FIG. 17**

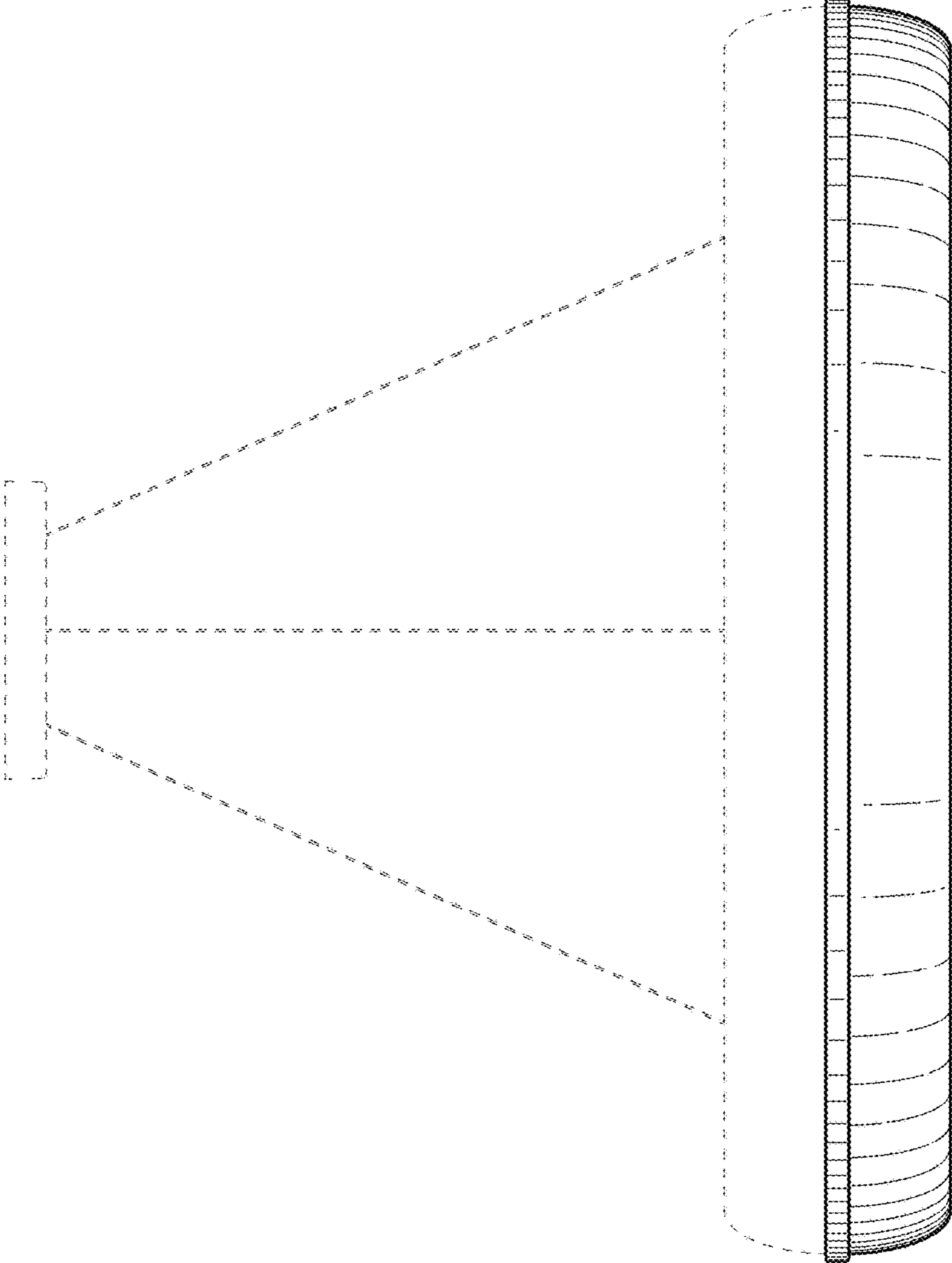


FIG. 18

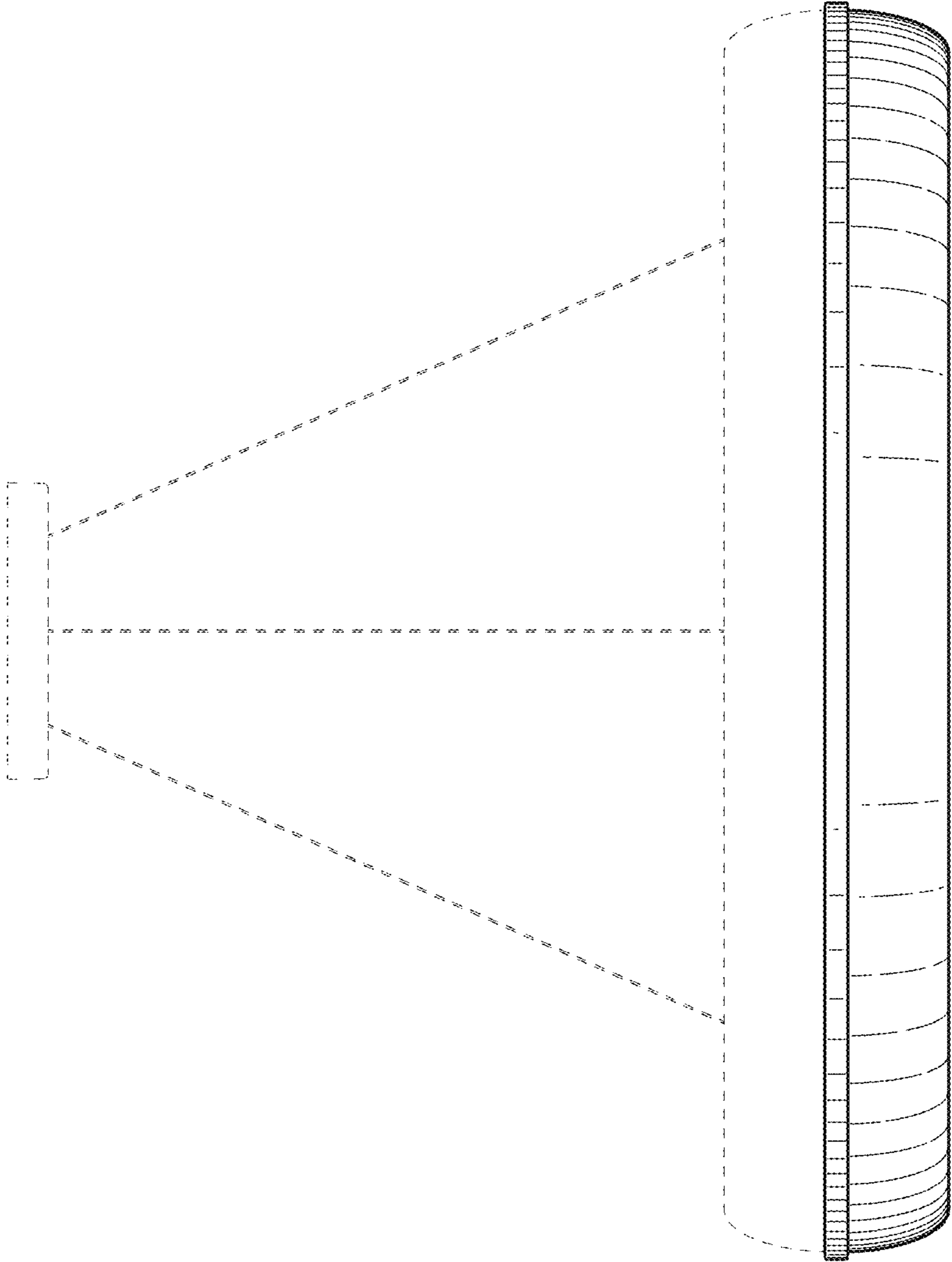
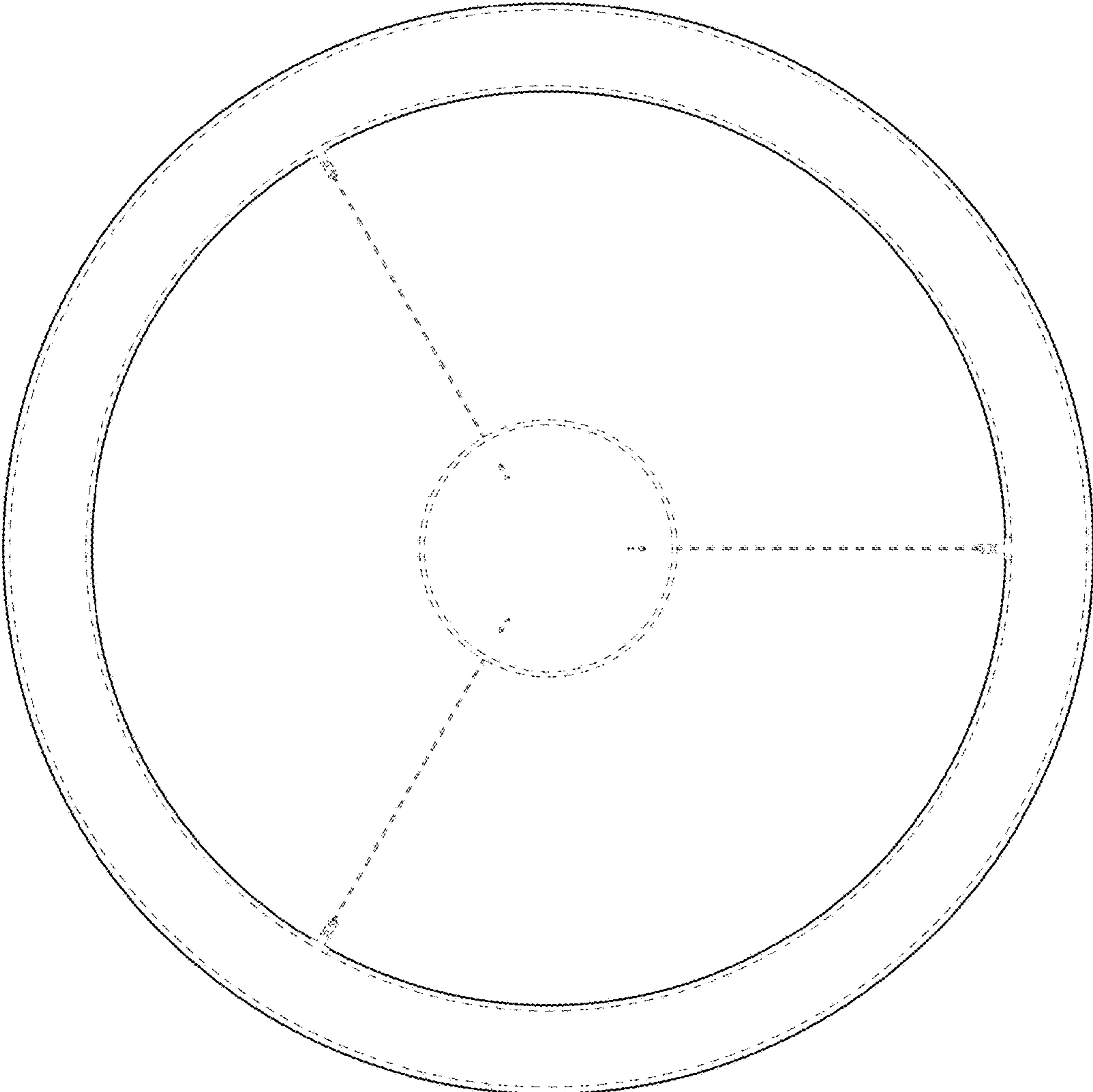
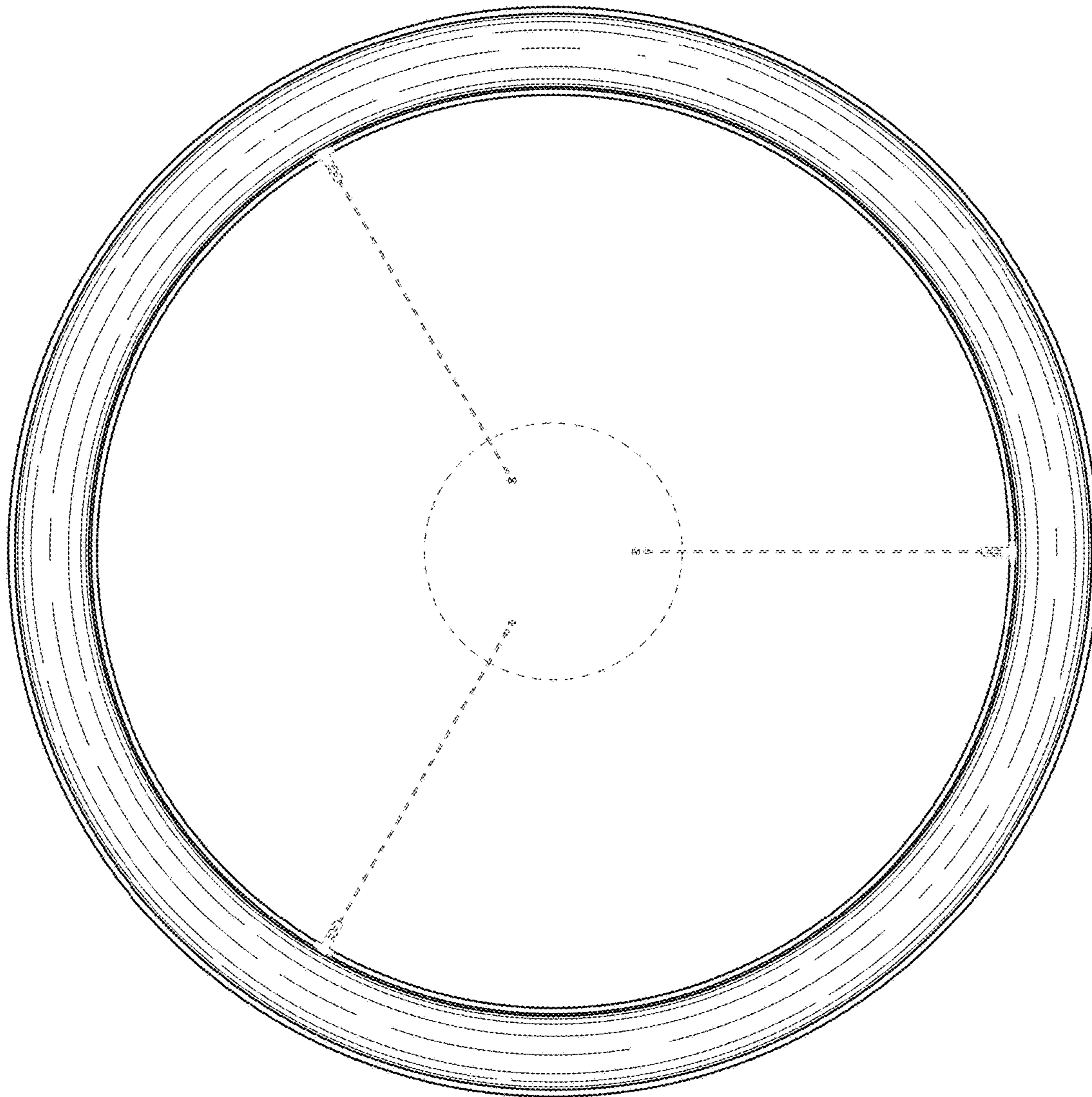


FIG. 19



**FIG. 20**





**FIG. 21**