



US00D812281S

(12) **United States Design Patent** (10) **Patent No.:** **US D812,281 S**  
**Boissevain et al.** (45) **Date of Patent:** **\*\* Mar. 6, 2018**

(54) **PUBLIC LIGHTING FIXTURE**

(56) **References Cited**

(71) Applicant: **PHILIPS LIGHTING HOLDING B.V.**, Eindhoven (NL)

U.S. PATENT DOCUMENTS

(72) Inventors: **Christopher Boissevain**, San Marcos, TX (US); **David Navickas**, York, PA (US); **Dylan Akinrele**, Westtown, NY (US); **Frank Locascio**, Howell, NJ (US); **Mason James Morton**, Wimberley, TX (US)

D765,298 S *	8/2016	Frisee .....	D26/71
D769,500 S *	10/2016	Dal Ponte .....	D26/71
D770,074 S *	10/2016	Romano .....	D26/63
D770,659 S *	11/2016	Zhu .....	D26/71
D770,660 S *	11/2016	Yang .....	D26/71
D771,857 S *	11/2016	Novak .....	D26/71
D783,875 S *	4/2017	Kaoh .....	D26/71
2015/0362172 A1 *	12/2015	Gabriel .....	G08B 15/001 348/151

(73) Assignee: **PHILIPS LIGHTING HOLDING B.V.**, Eindhoven (NL)

\* cited by examiner

(\*\*) Term: **15 Years**

*Primary Examiner* — George D Kirschbaum  
*Assistant Examiner* — Jennifer Watkins

(21) Appl. No.: **35/501,306**

(22) Filed: **Apr. 11, 2016**

(57) **CLAIM**

(80) **Hague Agreement Data**

Int. Filing Date: **Apr. 11, 2016**  
Int. Reg. No.: **DM/091654**  
Int. Reg. Date: **Apr. 11, 2016**  
Int. Reg. Pub. Date: **Jul. 29, 2016**

The ornamental design for a public lighting fixture, as shown and described.

(30) **Foreign Application Priority Data**

Oct. 15, 2015 (EM) ..... 002823674-0001

(51) **LOC (11) Cl.** ..... **26-05**

(52) **U.S. Cl.**  
USPC ..... **D26/71**

(58) **Field of Classification Search**  
USPC ..... D26/61-67, 71, 72, 85, 87, 118, 128,  
D26/131, 135

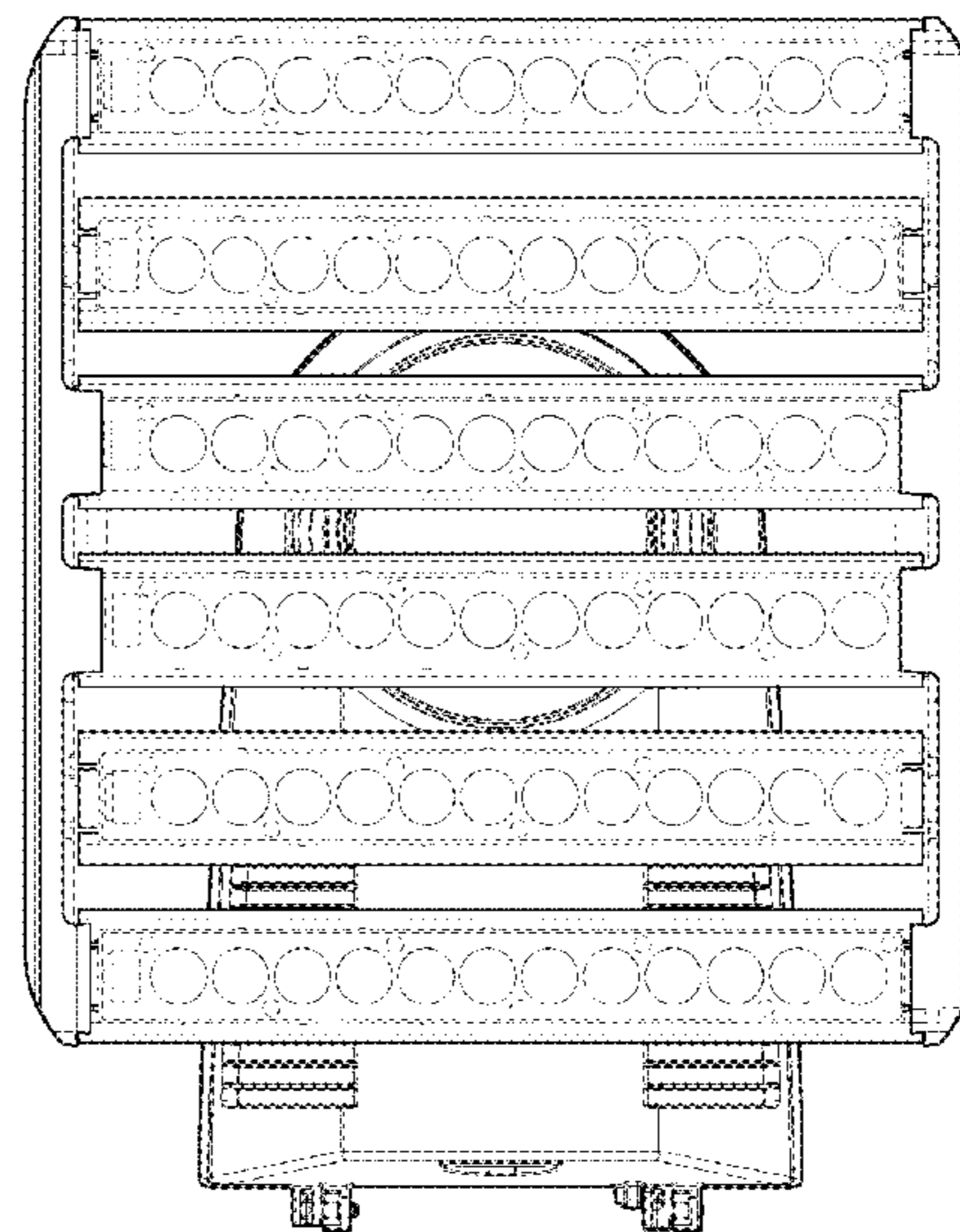
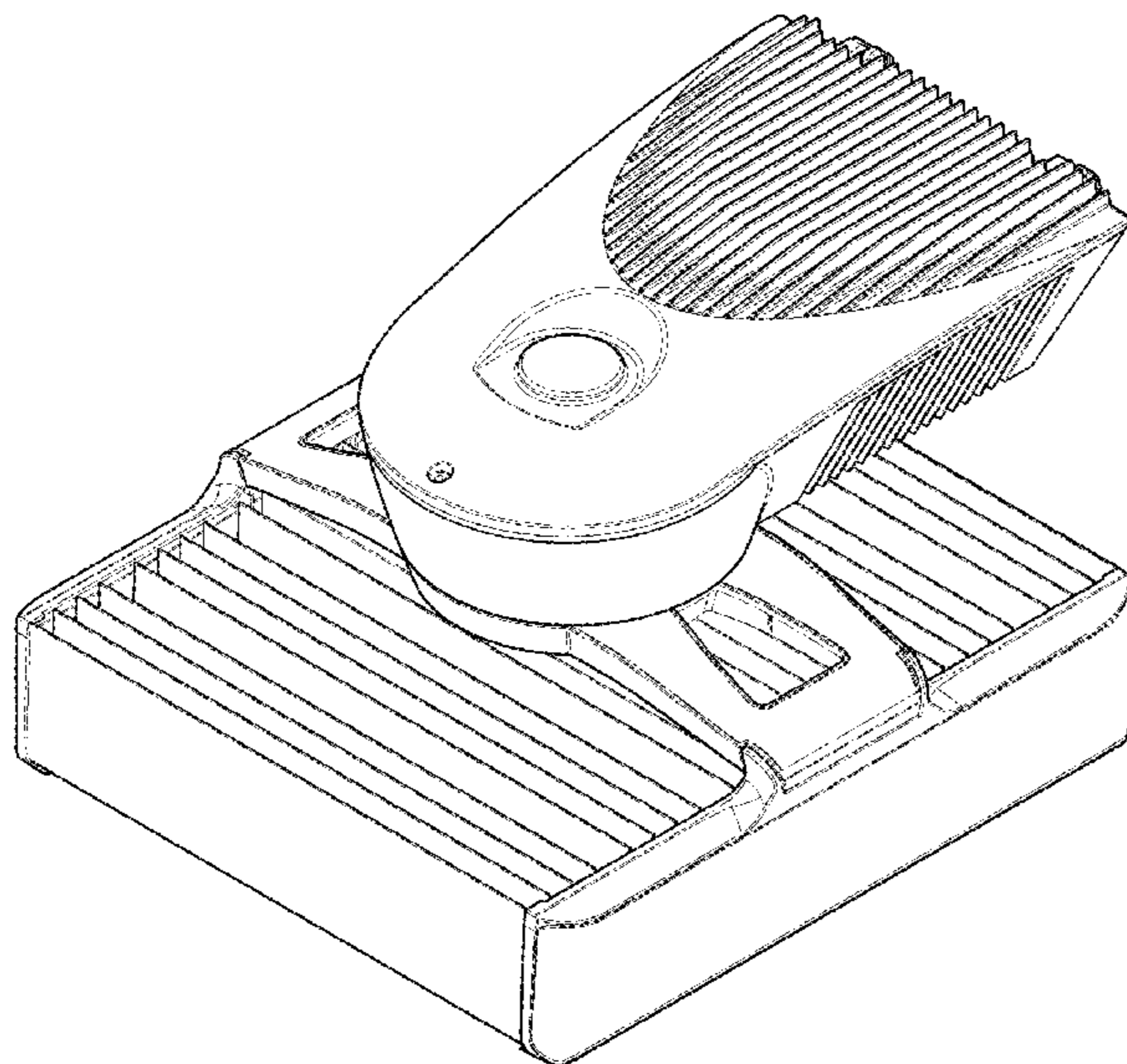
CPC ..... F21W 2131/103; F21W 2131/10; F21W  
2131/105; F21S 8/086

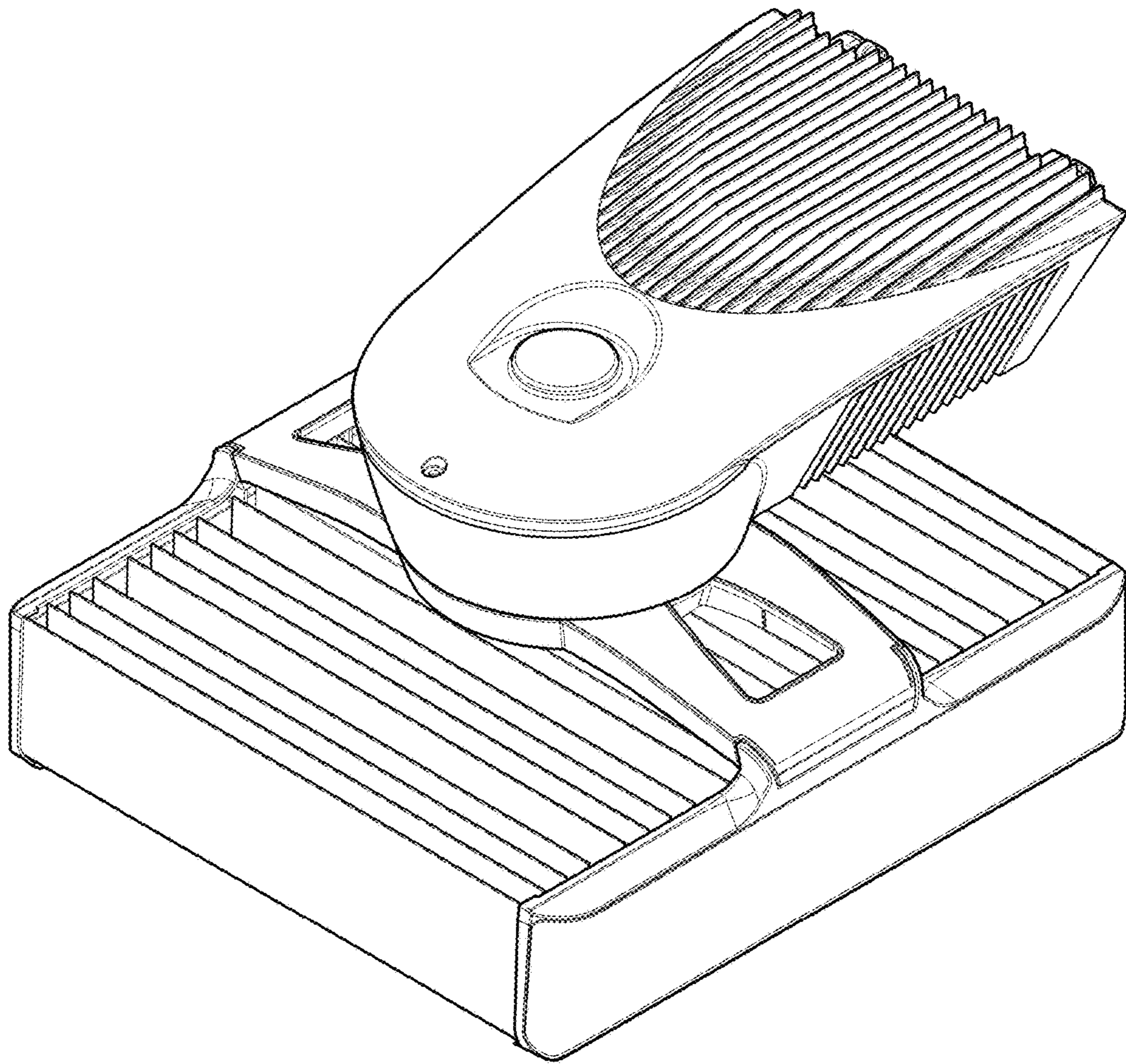
See application file for complete search history.

**DESCRIPTION**

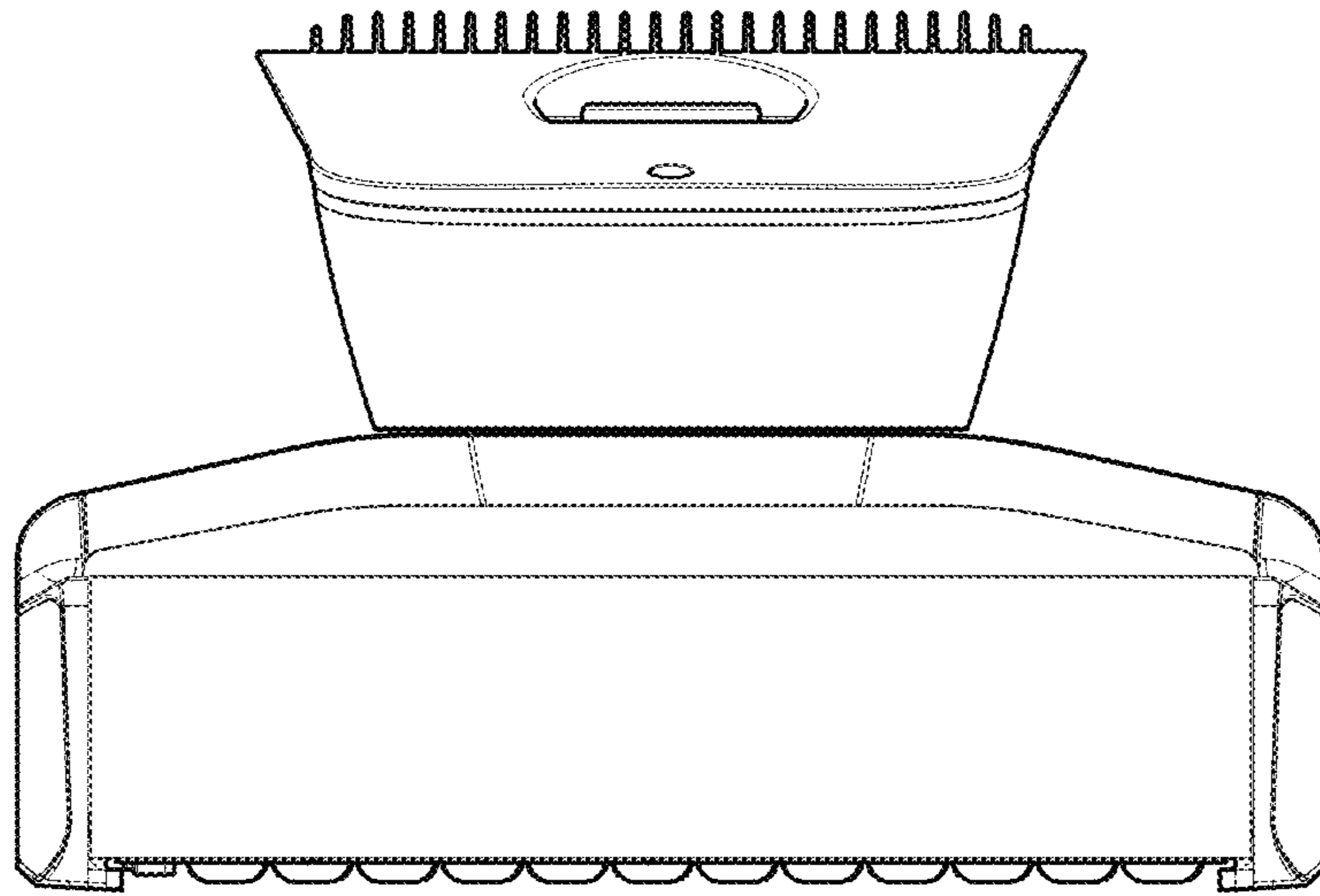
1. Public lighting fixture  
1.1 is a perspective view of a public lighting fixture showing our new design;  
1.2 is a front side elevational view thereof;  
1.3 is a back elevational view thereof;  
1.4 is a left side elevational view thereof;  
1.5 is a right side elevational view thereof;  
1.6 is a top plan view thereof;  
1.7 is a bottom plan view thereof.  
The dashed broken lines shown in the figures illustrate portions of the public lighting fixture that form no part of the claimed design.

**1 Claim, 5 Drawing Sheets**

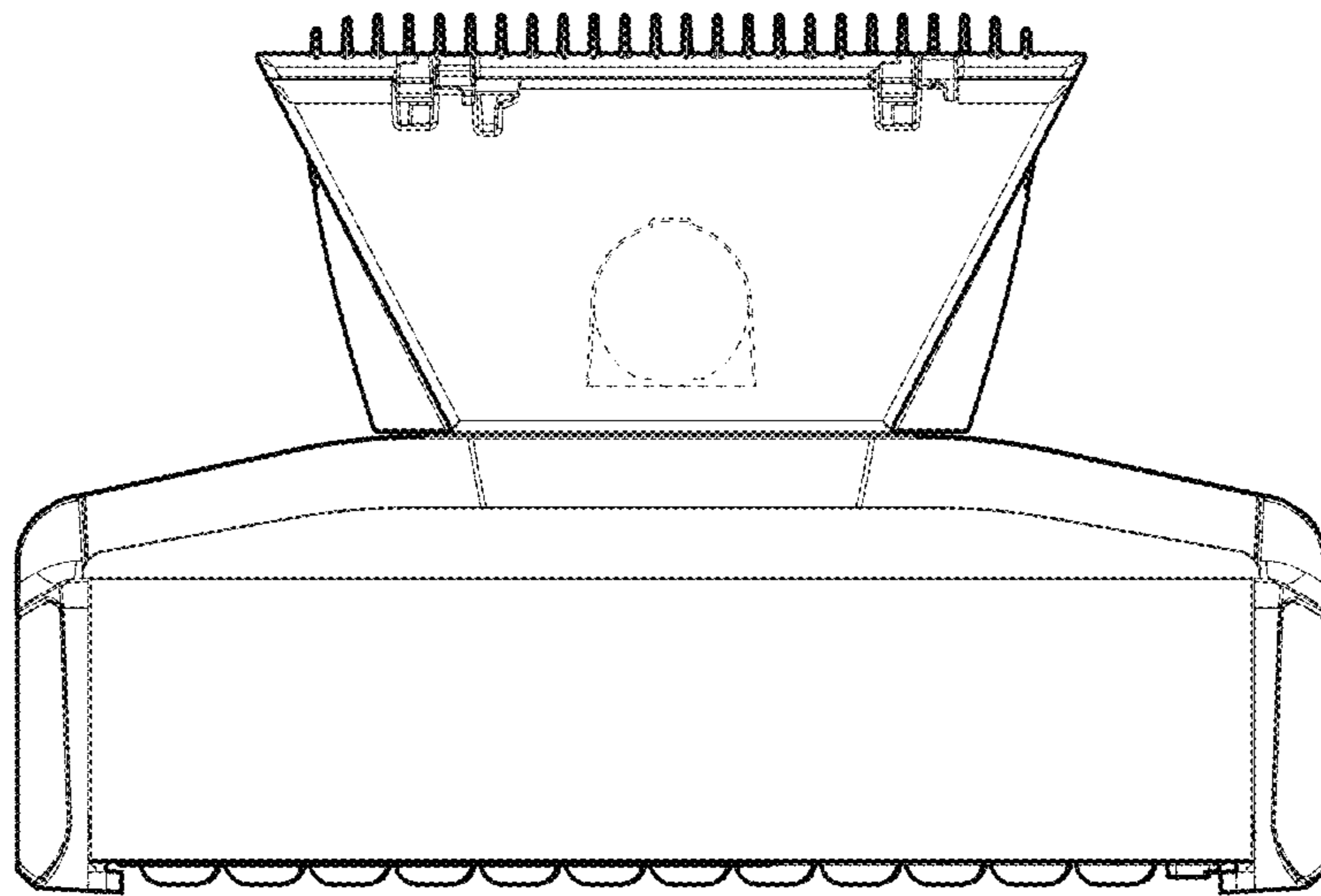




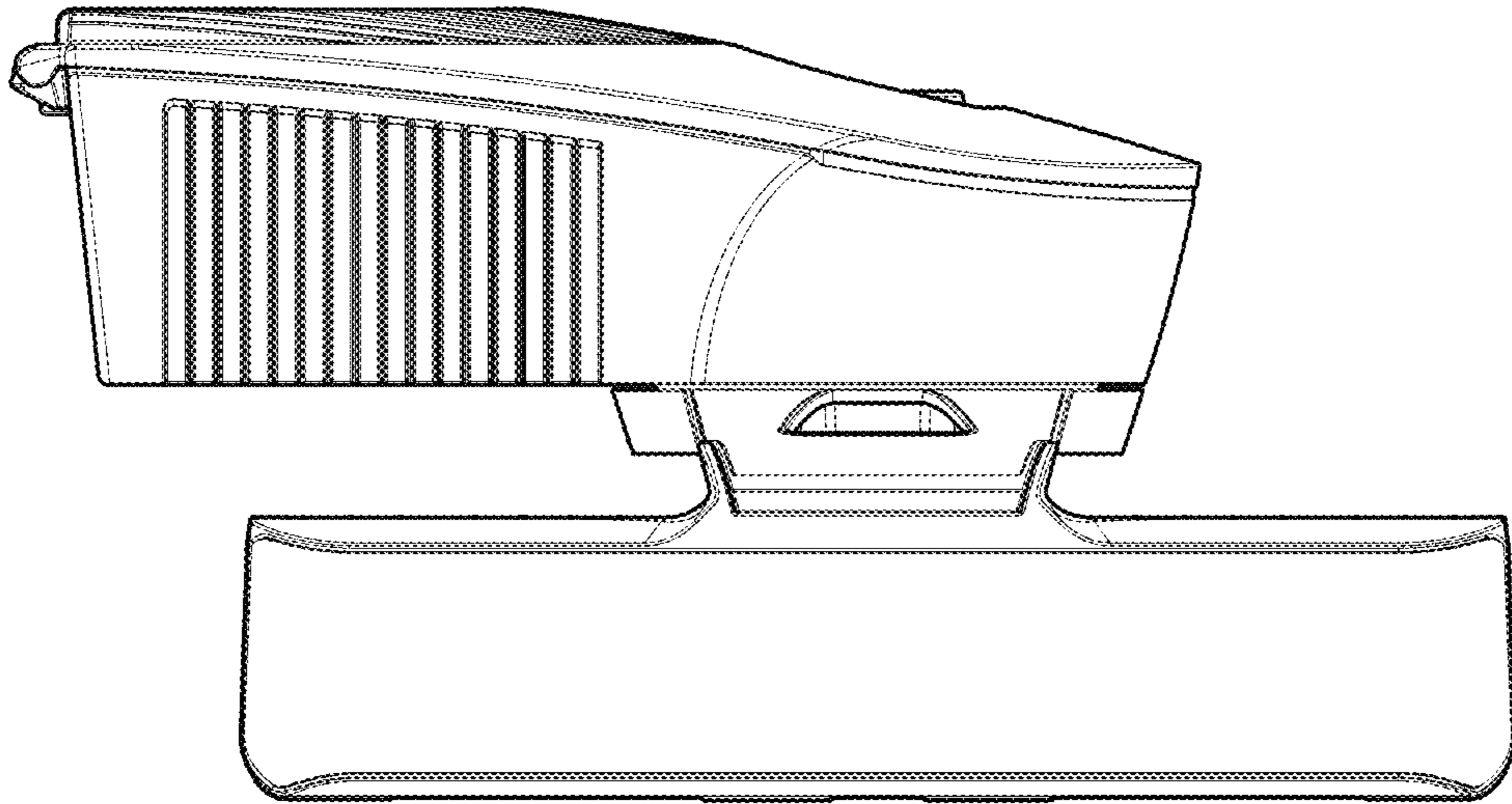
1.1



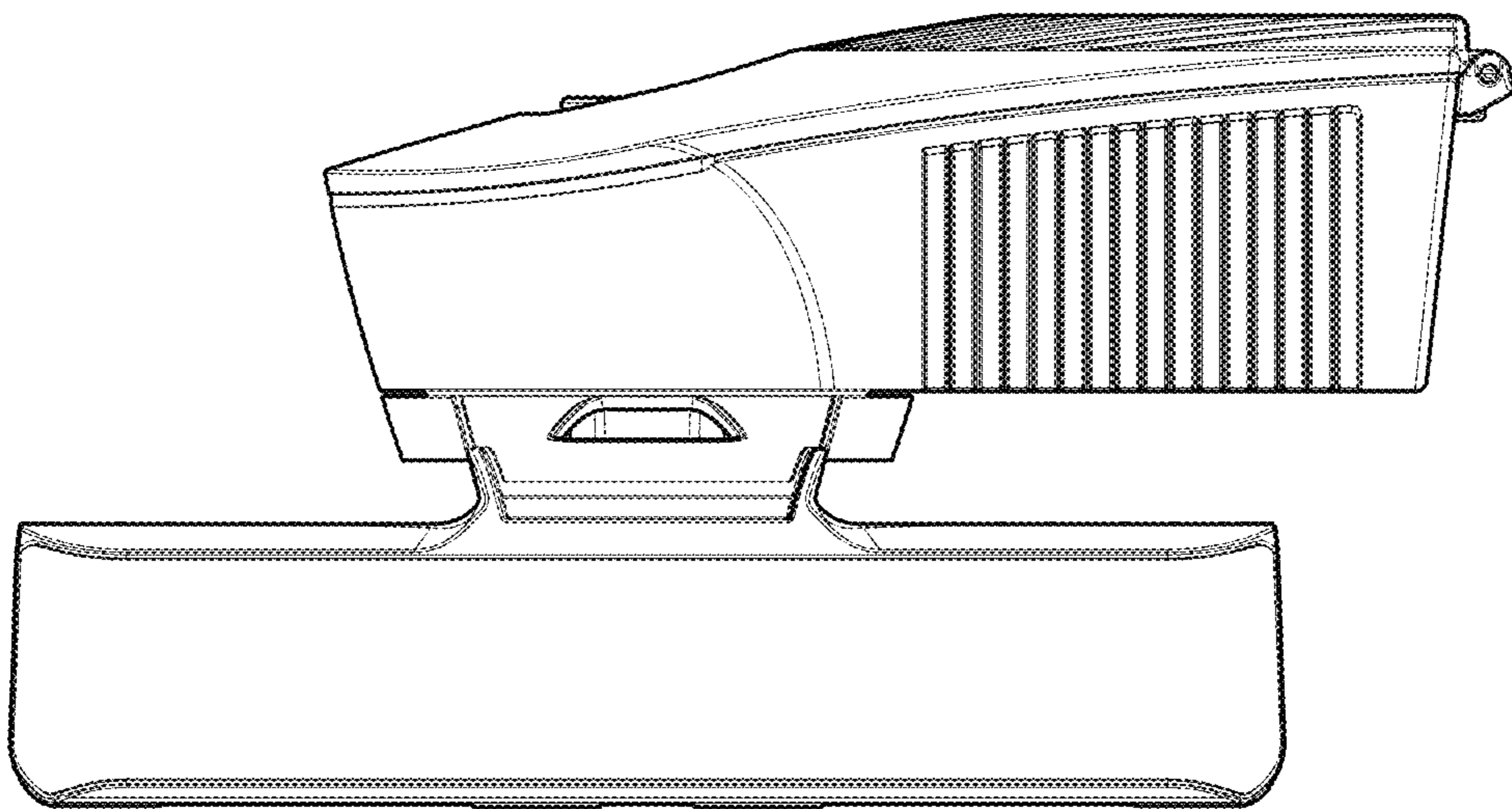
1.2



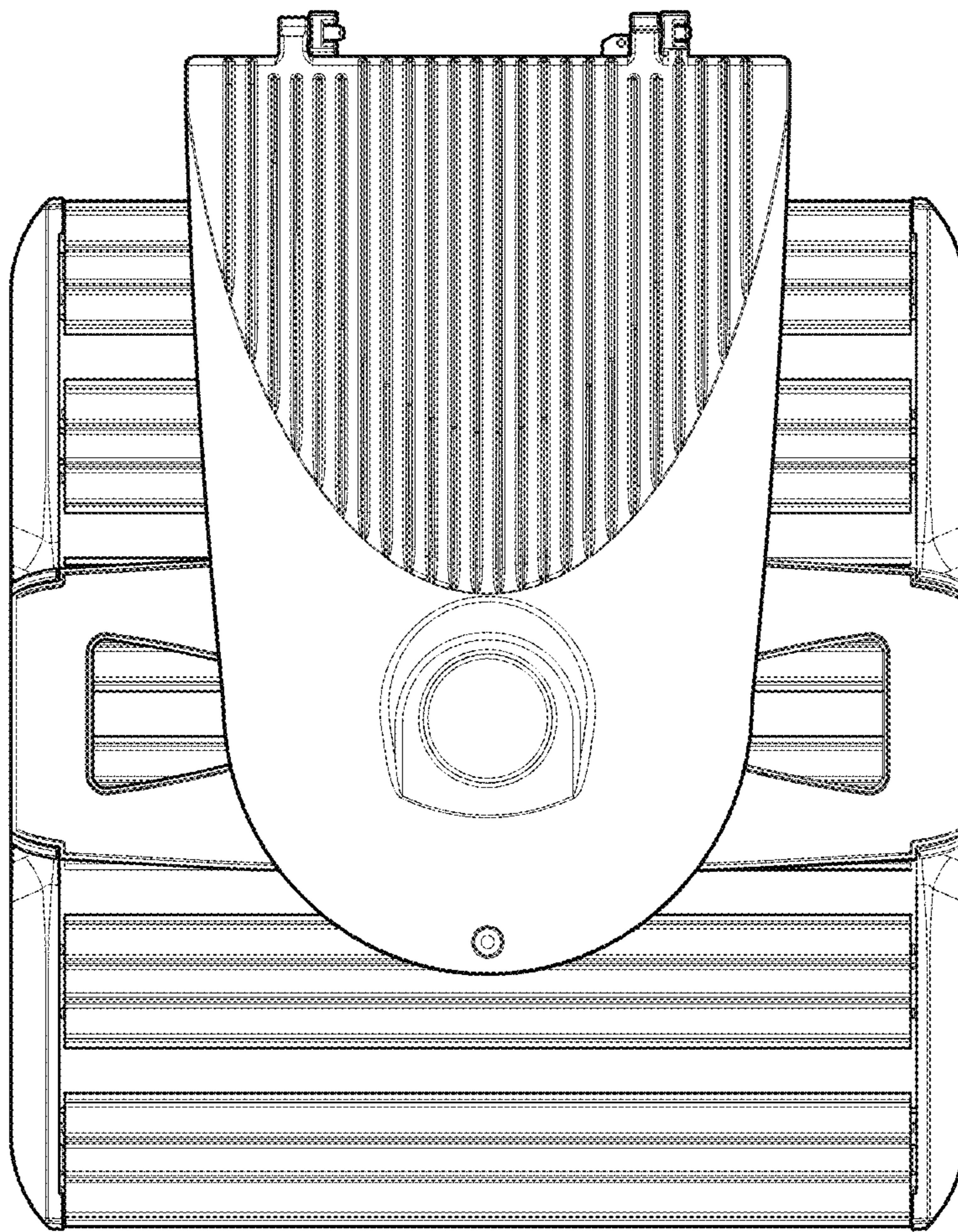
1.3



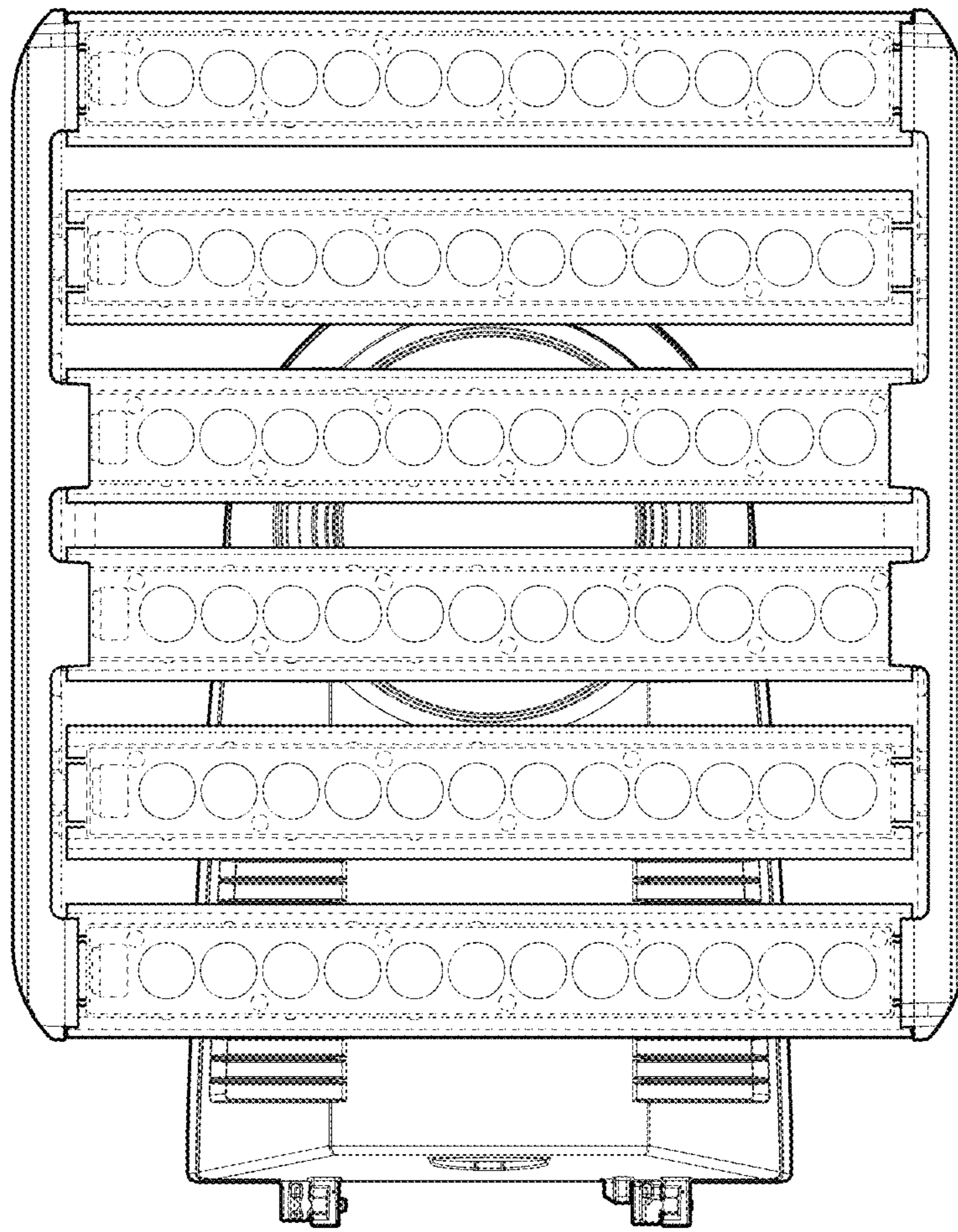
1.4



1.5



1.6



1.7