



US00D812279S

(12) **United States Design Patent** (10) **Patent No.:** **US D812,279 S**
Price (45) **Date of Patent:** **** Mar. 6, 2018**

(54) **LED TRACK LUMINAIRE**
(71) Applicant: **GE LIGHTING SOLUTIONS, LLC**,
East Cleveland, OH (US)
(72) Inventor: **Alex Kendall Price**, East Cleveland,
OH (US)
(73) Assignee: **GE LIGHTING SOLUTIONS, LLC**,
East Cleveland, OH (US)

Primary Examiner — Brian N. Vinson
(74) *Attorney, Agent, or Firm* — Peter T. DiMauro; GE
Global Patent Operation

(**) Term: **15 Years**
(21) Appl. No.: **29/575,942**
(22) Filed: **Aug. 30, 2016**
(51) **LOC (11) Cl.** **26-03**
(52) **U.S. Cl.**
USPC **D26/63**
(58) **Field of Classification Search**
USPC D26/1, 24, 61, 63, 65, 85, 92
CPC F21V 21/14; F21V 15/01; F21V 14/02;
F21V 21/30; F21V 21/00; F21V 14/00;
F21S 8/00; F21S 8/003; F21S 8/043;
F21Y 2105/001
See application file for complete search history.

(57) **CLAIM**
The ornamental design for a LED track luminaire, as shown
and described.

(56) **References Cited**
U.S. PATENT DOCUMENTS
D253,853 S * 1/1980 Gerber D26/63
D360,277 S * 7/1995 Roberts, III D26/107
7,762,688 B2 * 7/2010 Dixon F21V 21/30
362/287
D627,498 S * 11/2010 Chipperfield D26/63
D703,359 S * 4/2014 Thomas D26/63
D748,313 S * 1/2016 Grundl D26/63
(Continued)

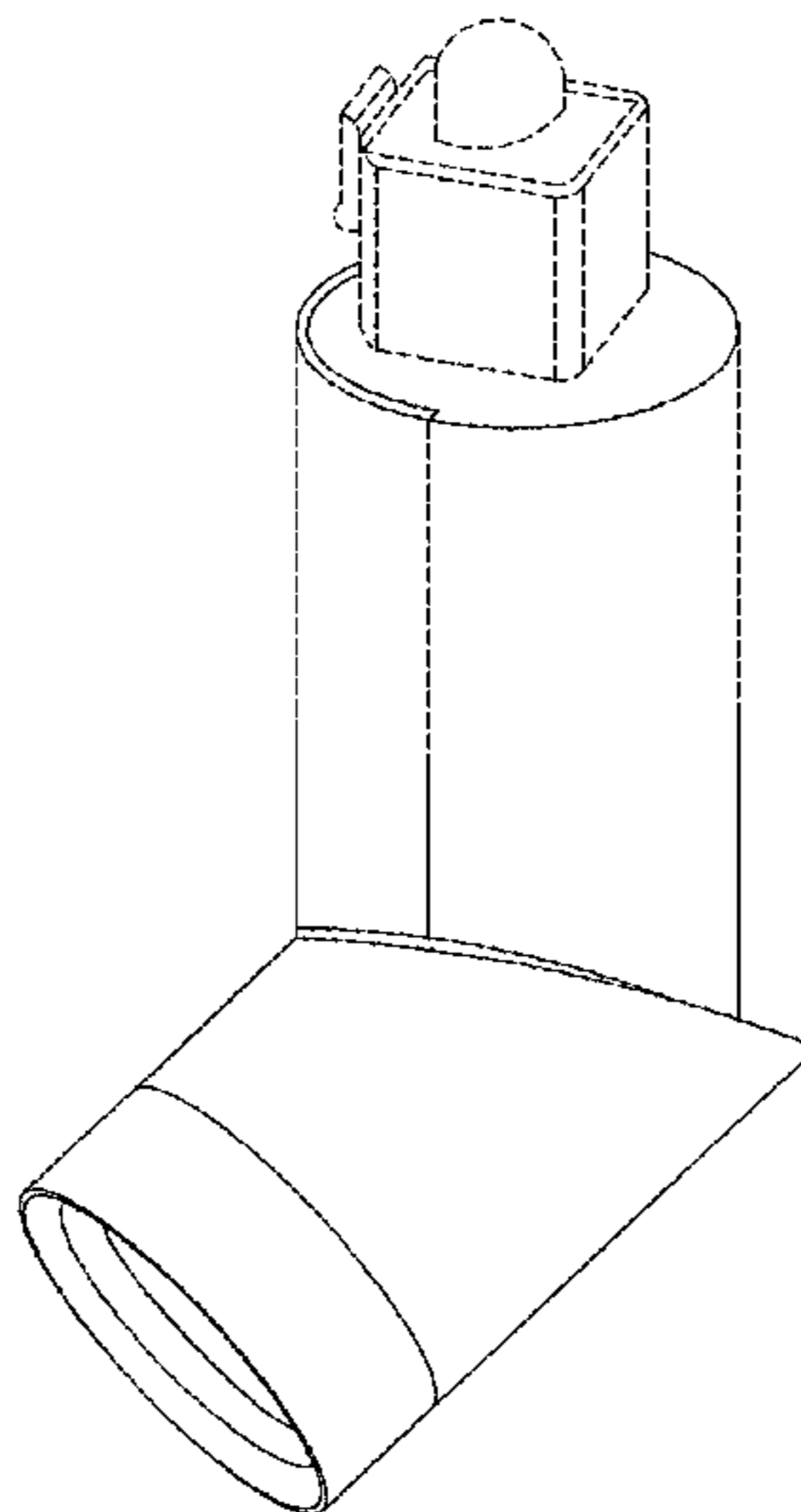
DESCRIPTION
FIG. 1 is a perspective view of a LED track luminaire;
FIG. 2 is a front view thereof of the LED track luminaire,
wherein a rear view is the mirror image;
FIG. 3 is a first side view thereof taken ninety degrees from
the front view of the LED track luminaire, wherein a second
side view is a mirror image thereof;
FIG. 4 is a bottom view thereof of the LED track luminaire;
FIG. 5 is a top view thereof of the LED track luminaire;
FIG. 6 is a perspective view of the LED track luminaire of
FIGS. 1-5, but shown in an alternate position or configura-
tion;
FIG. 7 is a front view thereof of the alternate position or
configuration of FIG. 6, wherein a rear view is the mirror
image;
FIG. 8 is a second side view thereof taken ninety degrees
from the front view of the alternate position or configura-
tion of FIG. 6, wherein a second side view is a mirror image
thereof;
FIG. 9 is a bottom top view thereof of the alternate position
or configuration of FIG. 6; and,
FIG. 10 is a top view thereof of the alternate position or
configuration of FIG. 6.

OTHER PUBLICATIONS
U.S. Appl. No. 29/204,948, filed Jan. 16, 2007, Genlyte Thomas
Group LLC.

The broken lines in the drawings are for illustrative purposes
only and form no part of the claimed design. In addition, any
shading forms no part of the claimed design and is provided
to illustrate contour only and is not an indication of texture,
gloss, and the like.

(Continued)

1 Claim, 8 Drawing Sheets



(56)

References Cited

U.S. PATENT DOCUMENTS

D753,328 S * 4/2016 Mathews D26/63
D773,091 S * 11/2016 Nouvel D26/63

OTHER PUBLICATIONS

U.S. Appl. No. 29/301,106, filed Jun. 22, 2010, Erco Leuchten GmbH.
U.S. Appl. No. 29/317,778, filed Nov. 24, 2009, Genlyte Thomas Group LLC.
U.S. Appl. No. 29/303,437, filed Apr. 14, 2009, Juno Manufacturing LLC.
U.S. Appl. No. 29/317,782, filed Dec. 1, 2009, Koninklijke Philips NV.
U.S. Appl. No. 29/317,776, filed Nov. 24, 2009, Genlyte Thomas Group LLC.
U.S. Appl. No. 29/266,881, filed Jul. 17, 2007, Juno Manufacturing LLC.
U.S. Appl. No. 29/266,882, filed Jul. 17, 2007, Juno Manufacturing LLC.
U.S. Appl. No. 29/266,899, filed Jul. 24, 2007, Juno Manufacturing LLC.
U.S. Appl. No. 29/266,880, filed Jul. 17, 2007, Juno Manufacturing LLC.
Great Britain Search Report and Written Opinion dated Dec. 31, 2015 which was issued in connection with GB Patent Application No. 1512690.7 which was filed on Jul. 20, 2015.

* cited by examiner

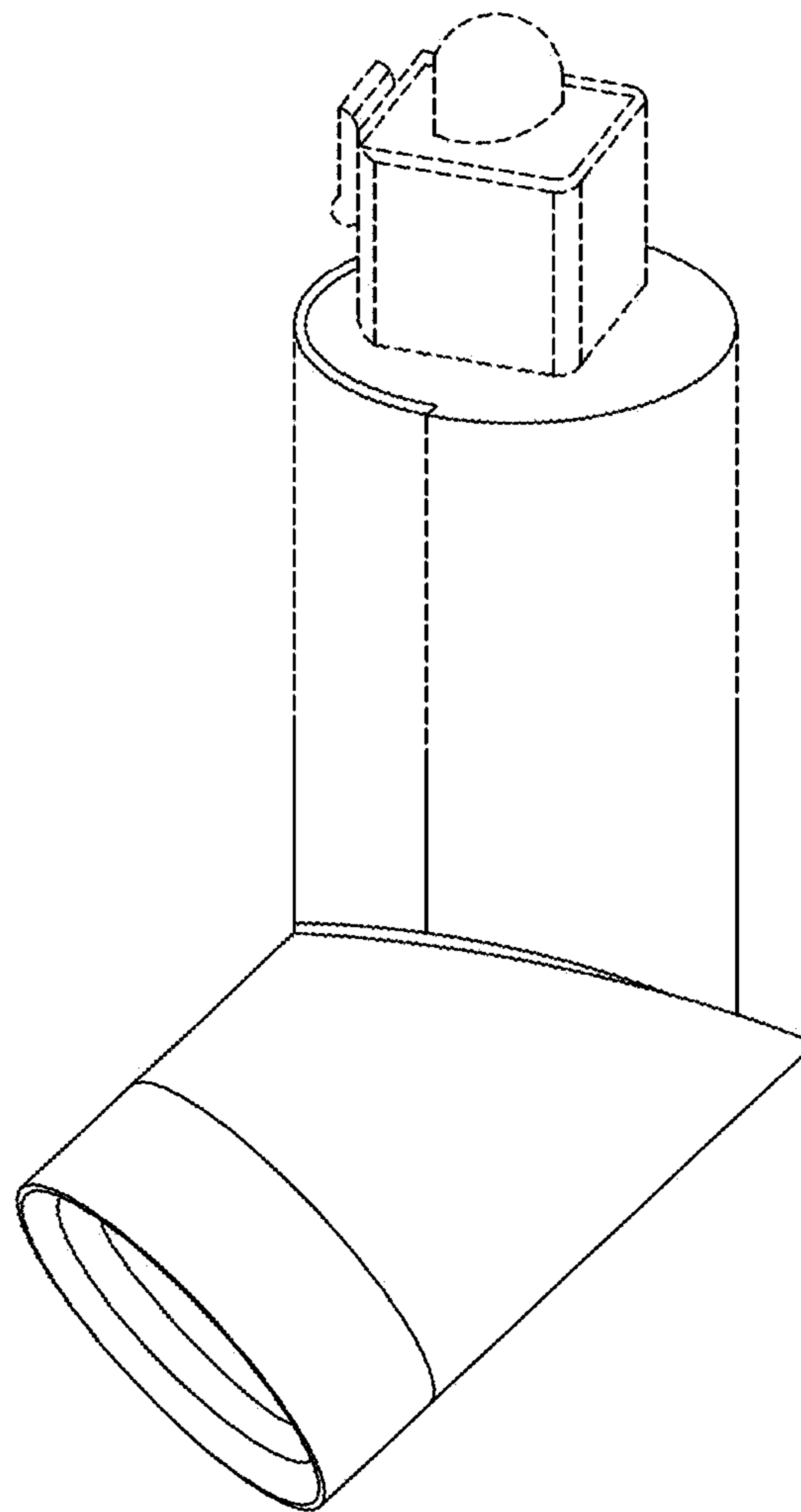


FIG. 1

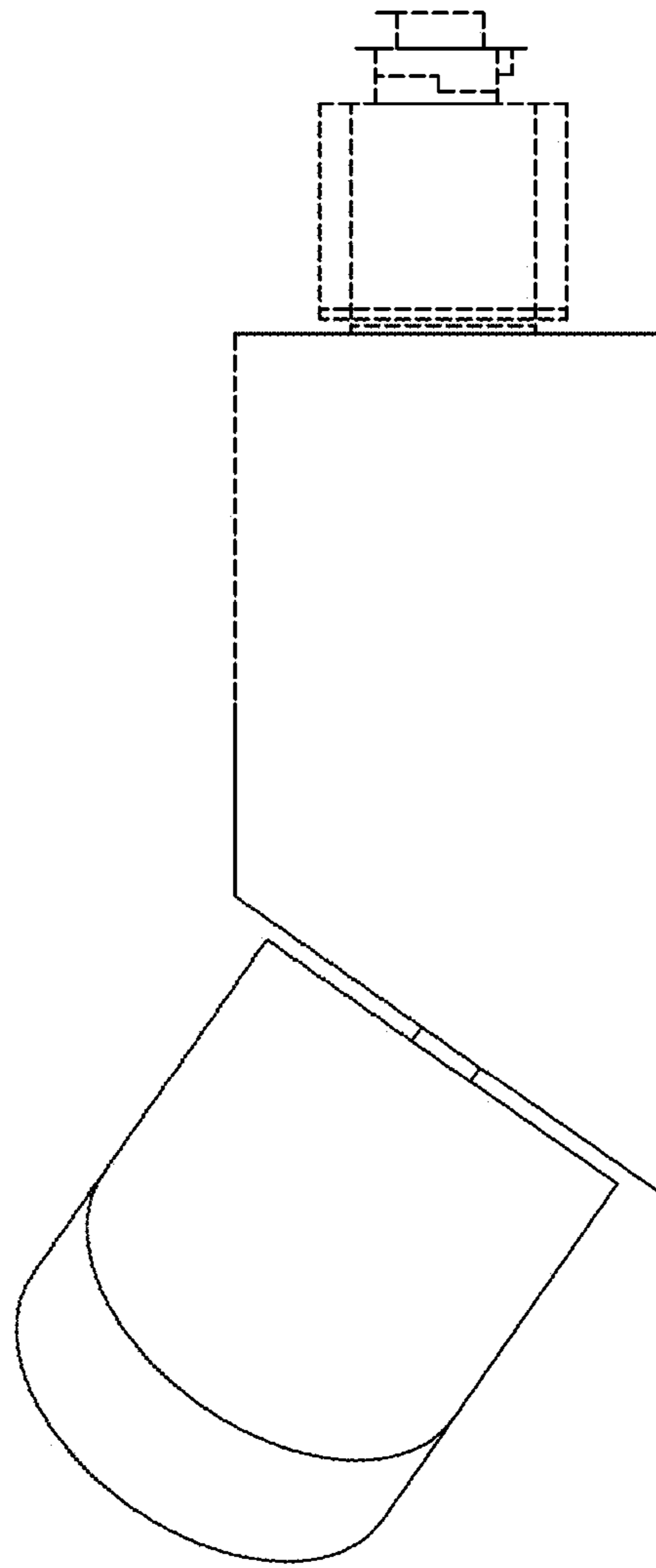


FIG. 2

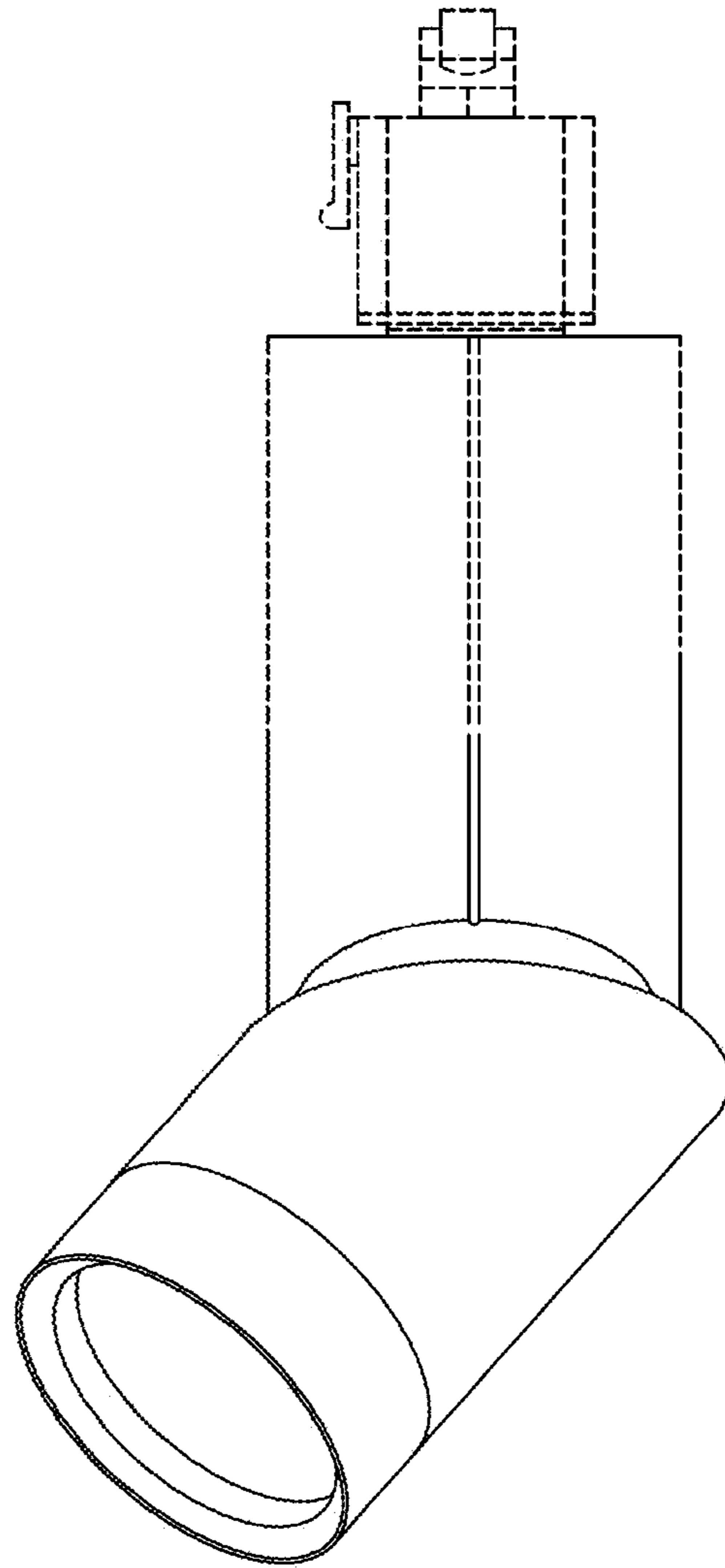


FIG. 3

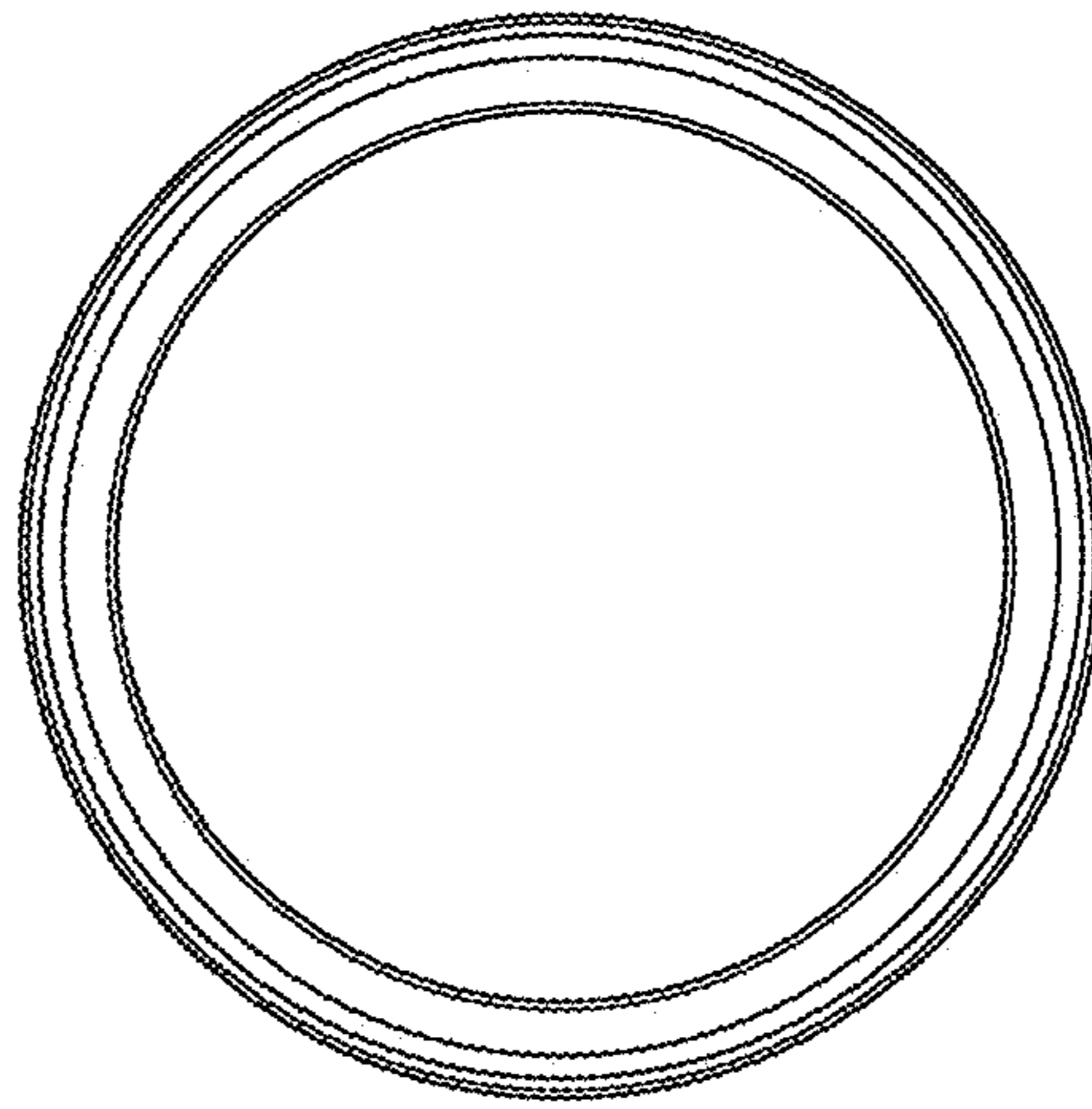


FIG. 4

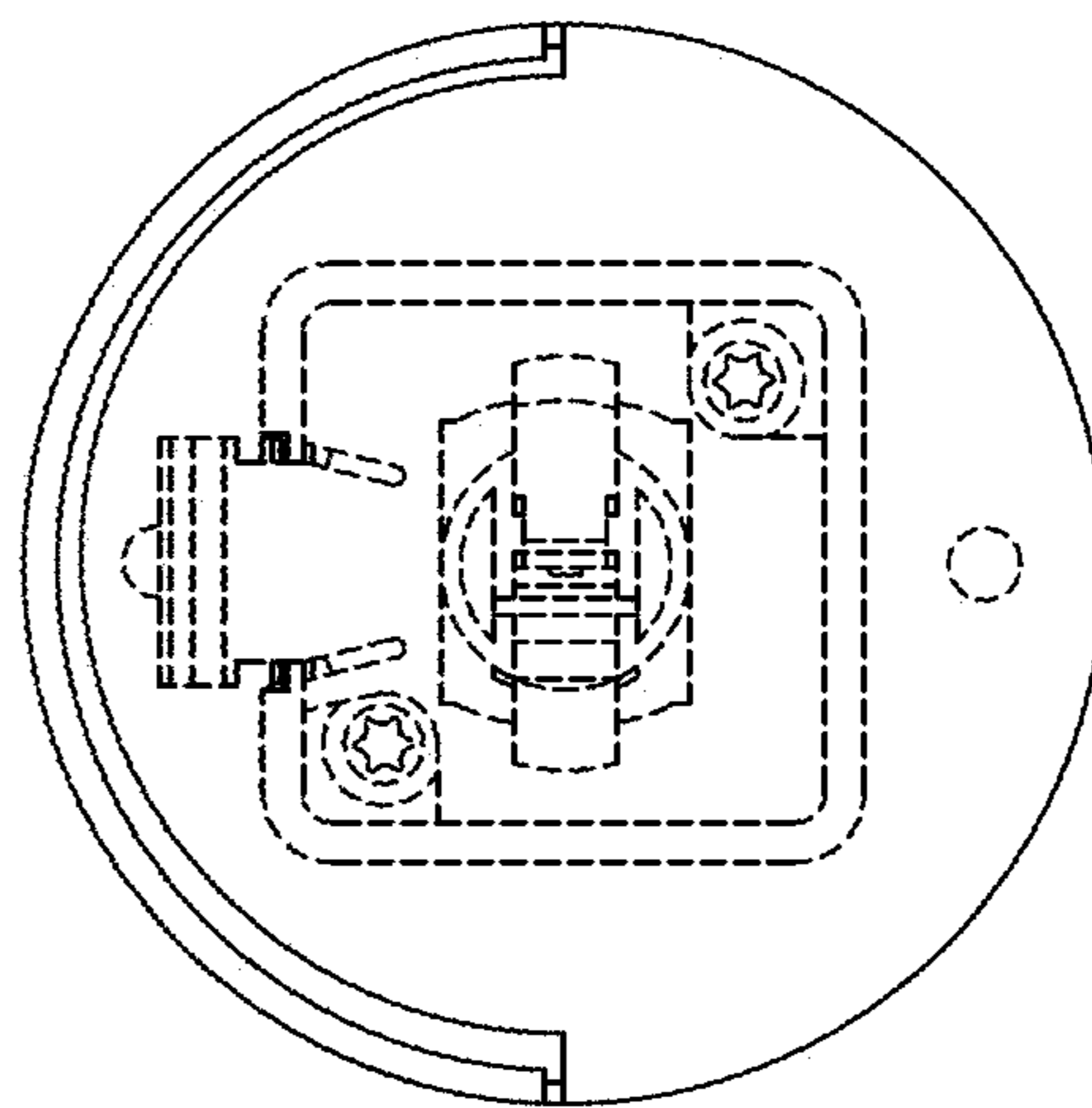


FIG. 5

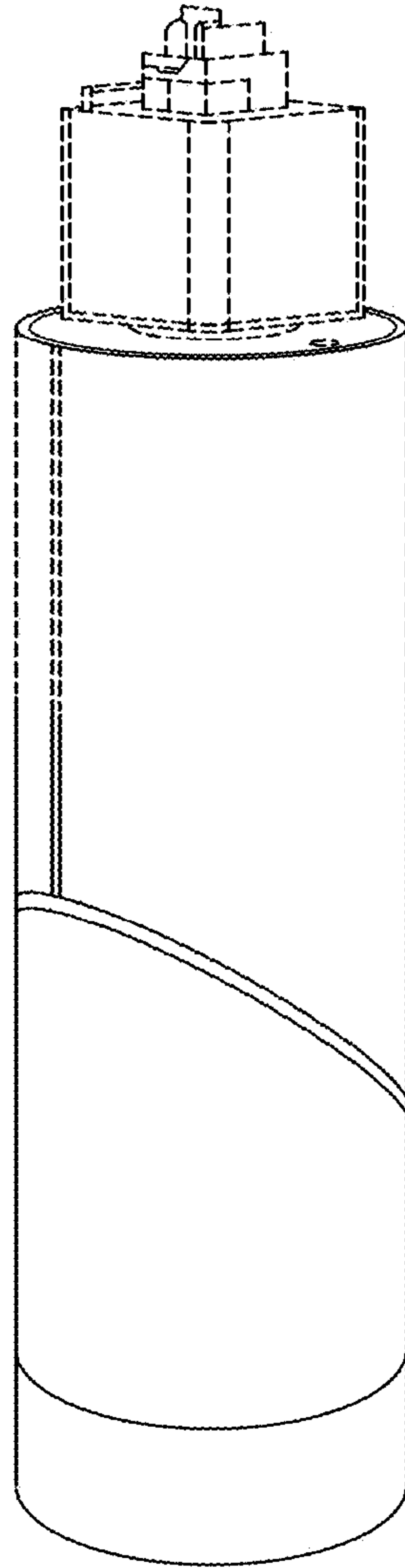


FIG. 6

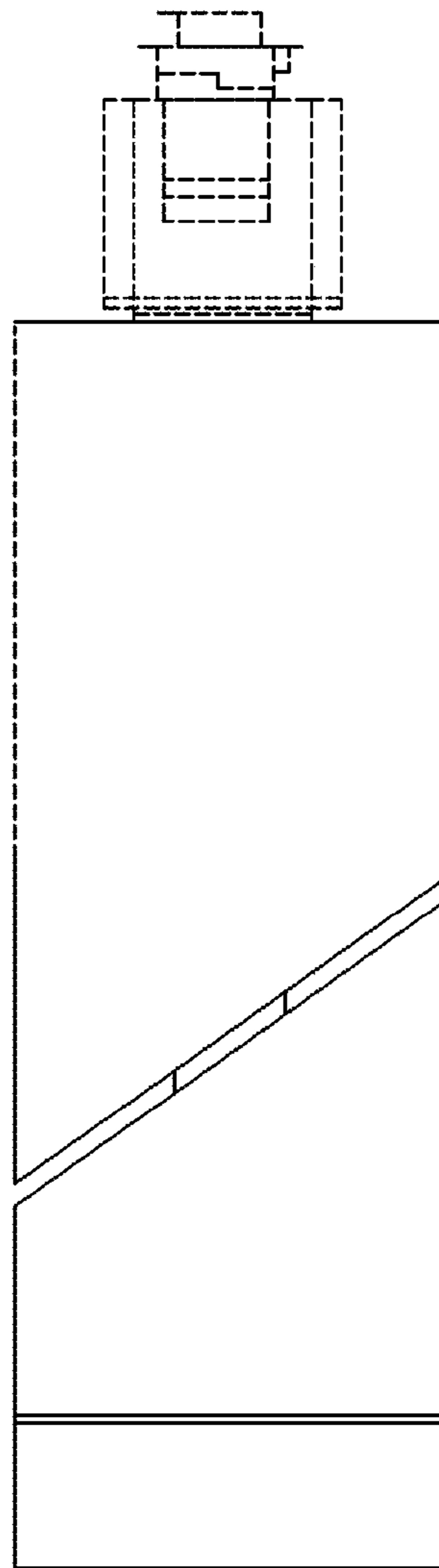


FIG. 7

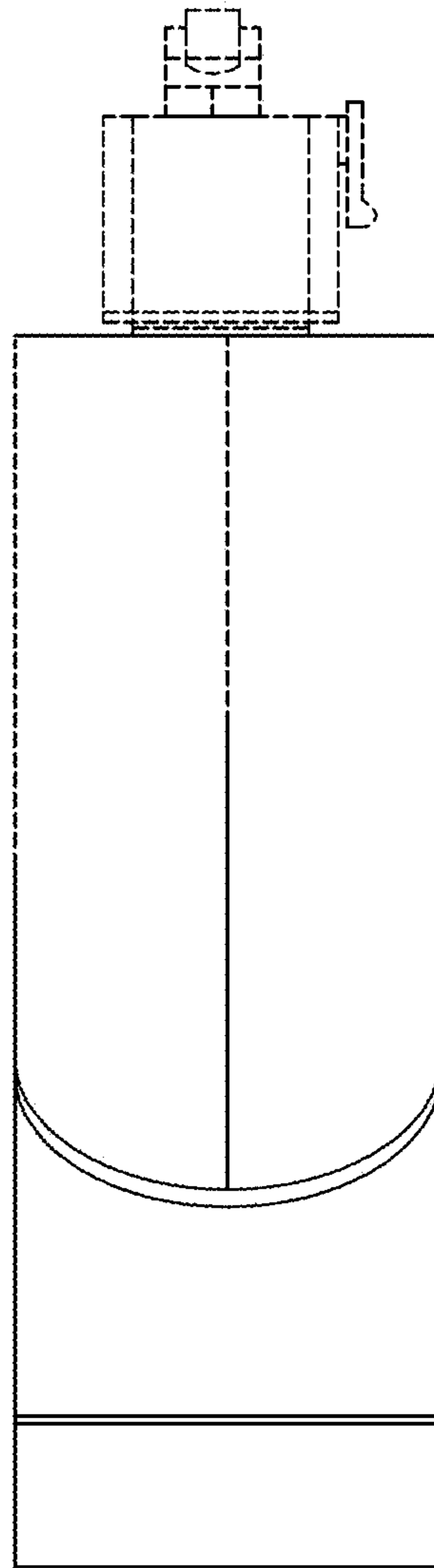


FIG. 8

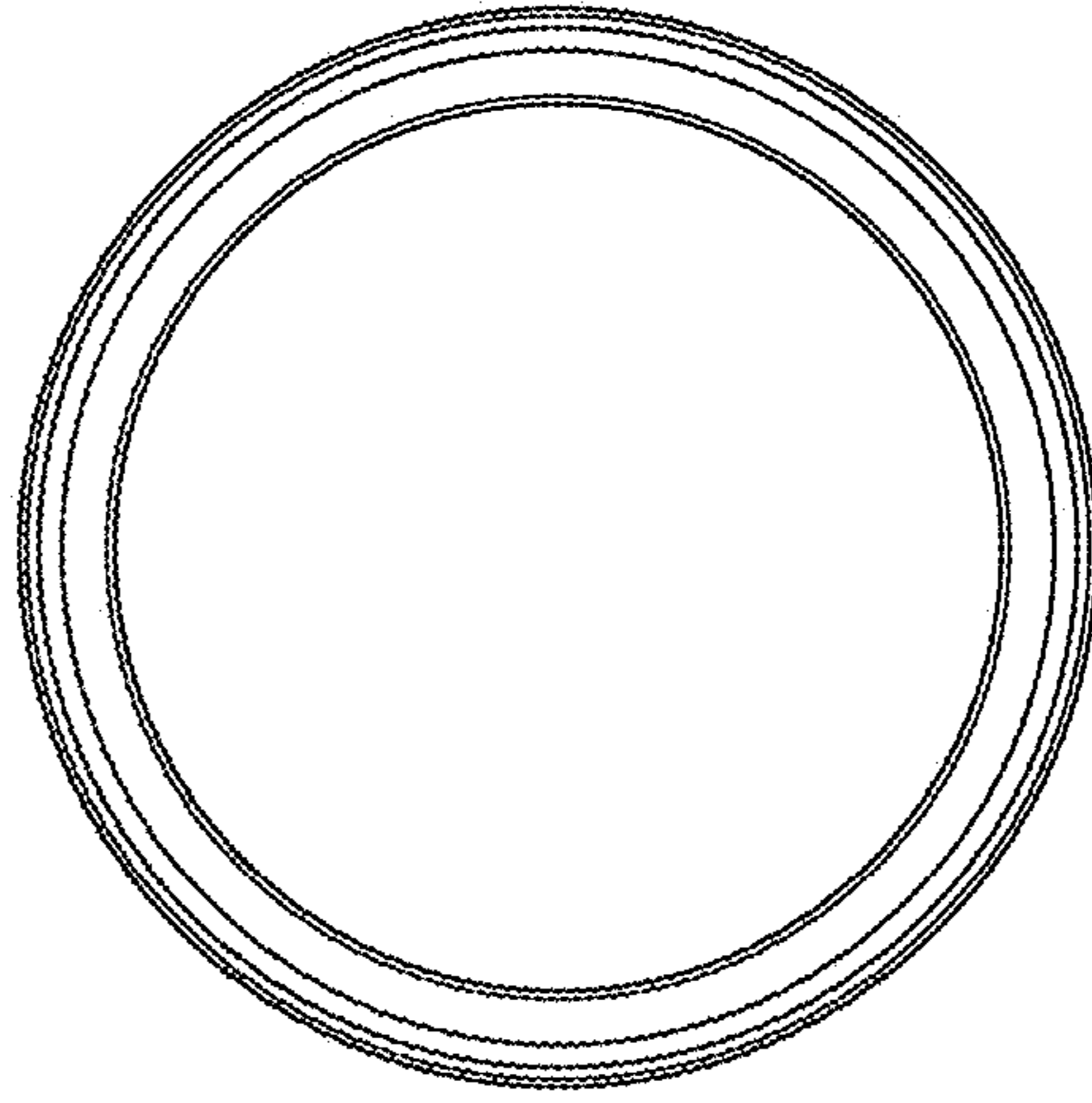


FIG. 9

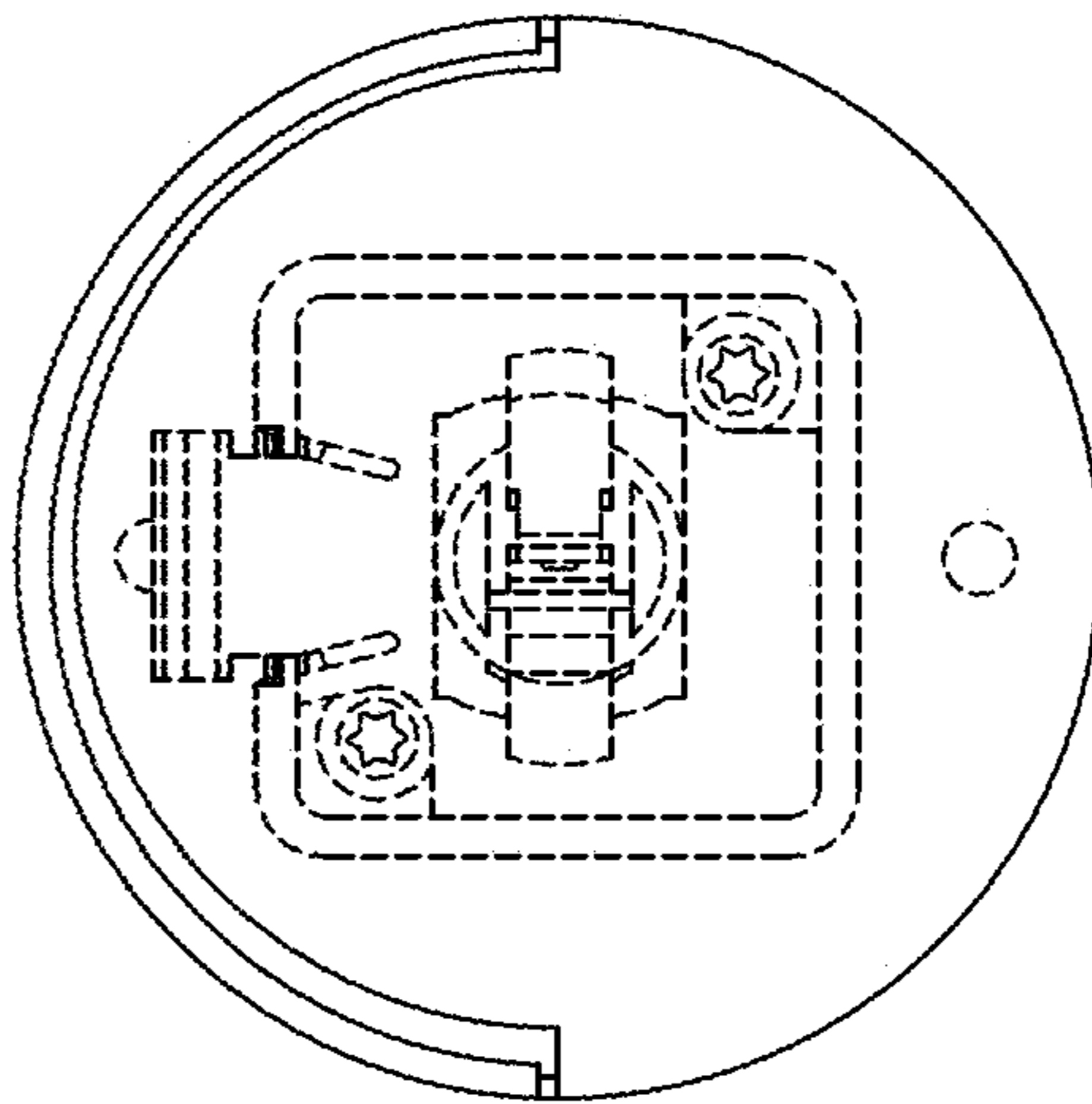


FIG. 10