



US00D812277S

(12) **United States Design Patent**  
**Chi**

(10) **Patent No.:** **US D812,277 S**  
(45) **Date of Patent:** **\*\* Mar. 6, 2018**

- (54) **REAR BRAKE LIGHT**
- (71) Applicant: **Razer Auto, Inc.**, Upland, CA (US)
- (72) Inventor: **Samuel Chi**, Upland, CA (US)
- (73) Assignee: **Razer Auto, Inc.**, Upland, CA (US)
- (\*\*) Term: **15 Years**
- (21) Appl. No.: **29/577,022**
- (22) Filed: **Sep. 8, 2016**
- (51) **LOC (11) Cl.** ..... **26-06**
- (52) **U.S. Cl.**  
USPC ..... **D26/31**
- (58) **Field of Classification Search**  
USPC ..... D26/28-36; 362/80-83, 267-269,  
362/459-468, 475-478, 485-487  
CPC ..... F21S 48/00; F21S 48/10; F21S 48/115;  
F21S 48/1233; F21S 48/1266; F21S  
48/1388; F21S 48/2268; B60Q 1/02;  
B60Q 1/04; B60Q 9/13; B60Q 9/135;  
B60Q 9/1375  
See application file for complete search history.

- D747,512 S 1/2016 Lai
- D747,517 S 1/2016 Lai
- D747,518 S 1/2016 Lai
- D747,519 S 1/2016 Kim
- D747,820 S 1/2016 Sato
- D750,815 S 3/2016 Platto
- D750,816 S 3/2016 Platto
- D750,817 S 3/2016 Lin
- D750,818 S 3/2016 Lin
- D750,819 S 3/2016 Schneider
- D751,737 S 3/2016 Lai
- D751,740 S 3/2016 Wolff
- D752,254 S 3/2016 Futschik
- D752,255 S 3/2016 Futschik
- D752,782 S 3/2016 Moessner
- D753,323 S 4/2016 George
- D754,375 S 4/2016 Vena

\* cited by examiner

*Primary Examiner* — Marcus Jackson  
(74) *Attorney, Agent, or Firm* — Eric Kelly

(57) **CLAIM**

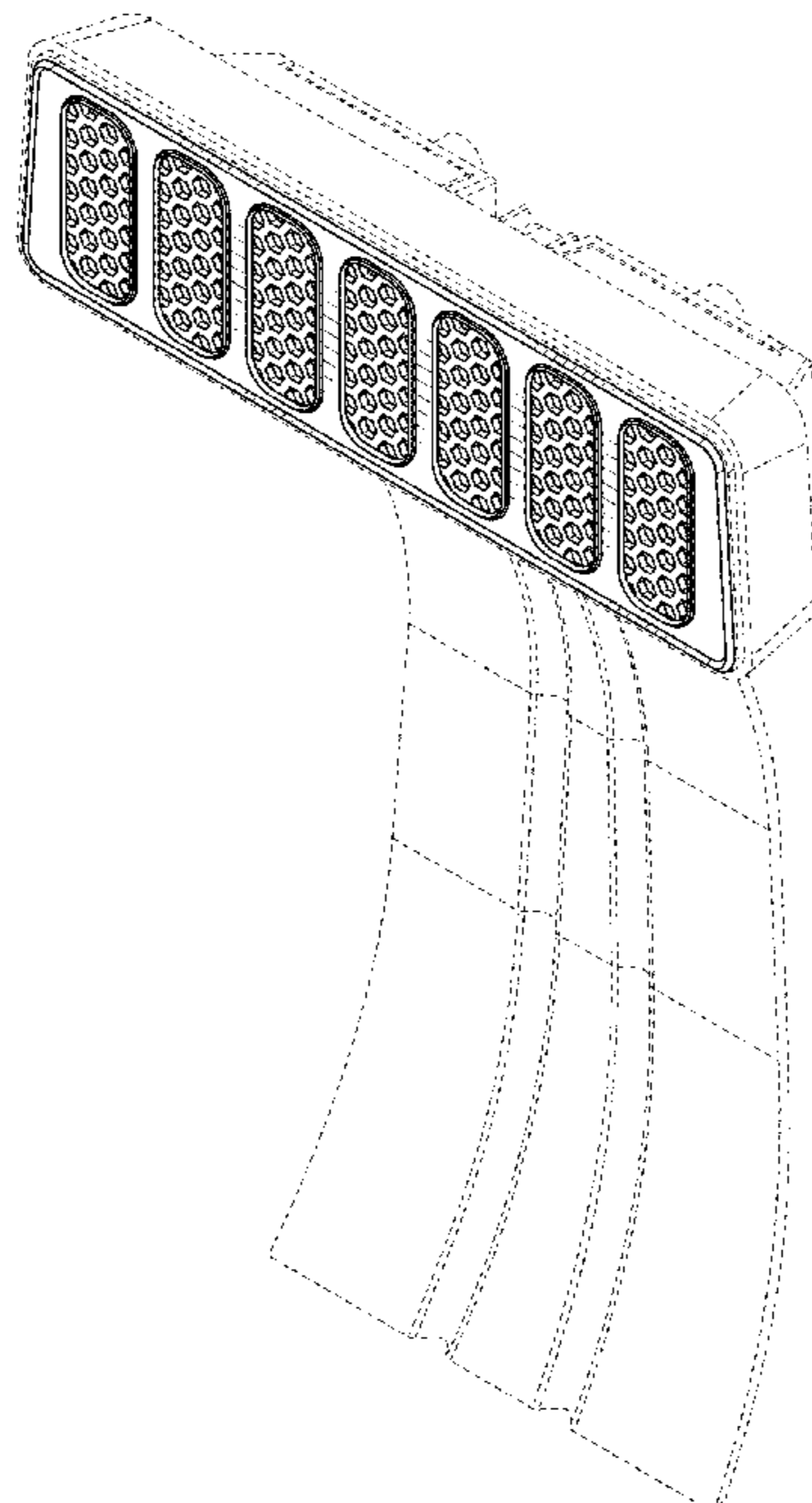
What is claimed is an ornamental design for a rear brake light, as shown and described herein.

**DESCRIPTION**

FIG. 1 illustrates a perspective view of a new and ornamental rear brake light;  
FIG. 2 illustrates a front view thereof;  
FIG. 3 illustrates a back view thereof;  
FIG. 4 illustrates a left-side view thereof;  
FIG. 5 illustrates a right-side view thereof;  
FIG. 6 illustrates a top view thereof; and,  
FIG. 7 illustrates a bottom view thereof.  
Broken lines in the included figures are for illustrative purposes only and form no part of the claimed design.

**1 Claim, 5 Drawing Sheets**

- (56) **References Cited**  
U.S. PATENT DOCUMENTS  
D499,198 S \* 11/2004 Cowan ..... D26/31  
D551,138 S \* 9/2007 Storer ..... D12/171  
D656,258 S \* 3/2012 Georgitsis ..... B60Q 1/0483  
D26/31  
D745,717 S 12/2015 Wu  
D745,723 S 12/2015 Yoshida  
D745,986 S 12/2015 Gorsten Schuenemann  
D746,495 S 12/2015 Gorsten Schuenemann  
D747,017 S 1/2016 Hanson



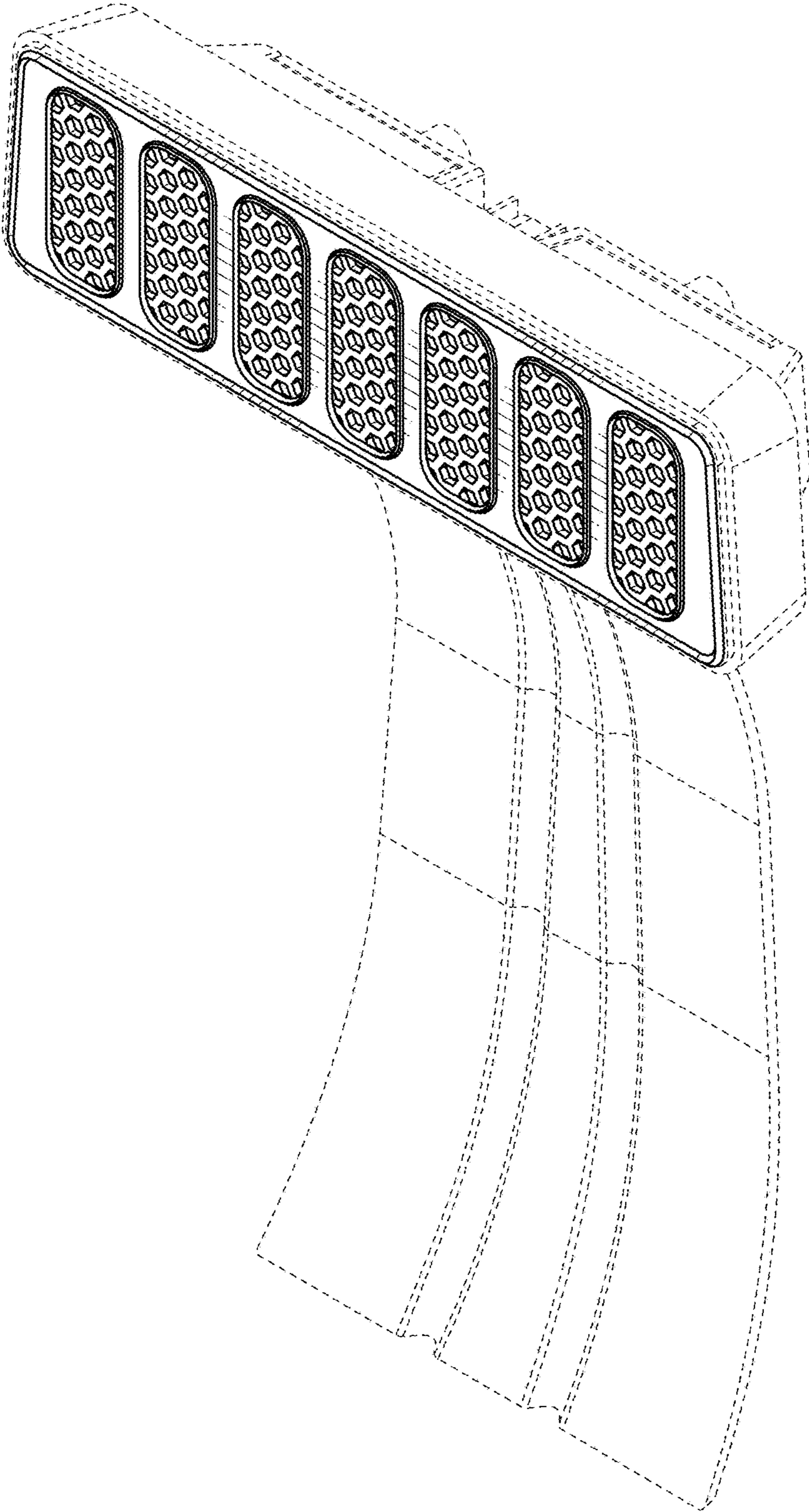


FIG. 1

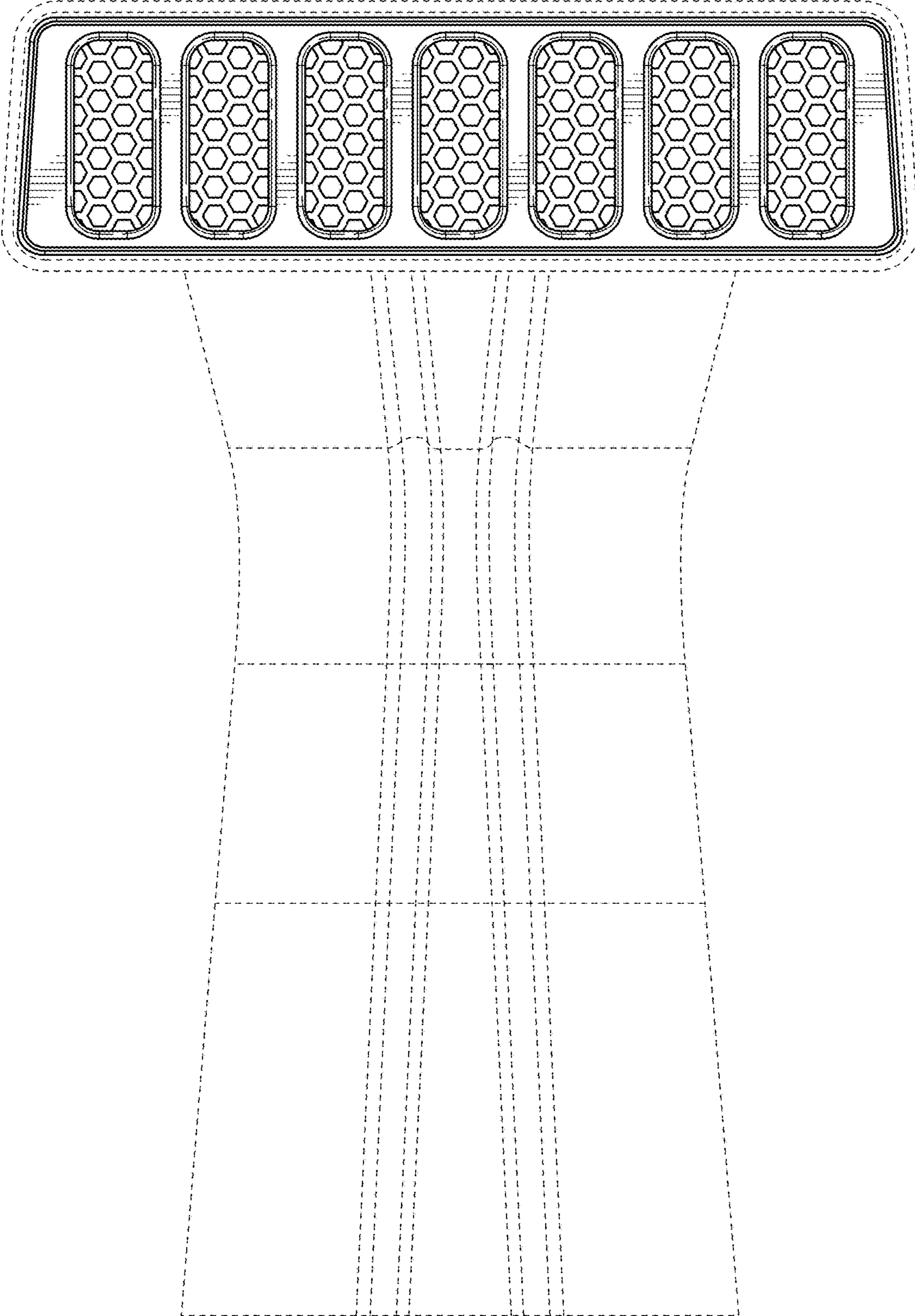


FIG. 2



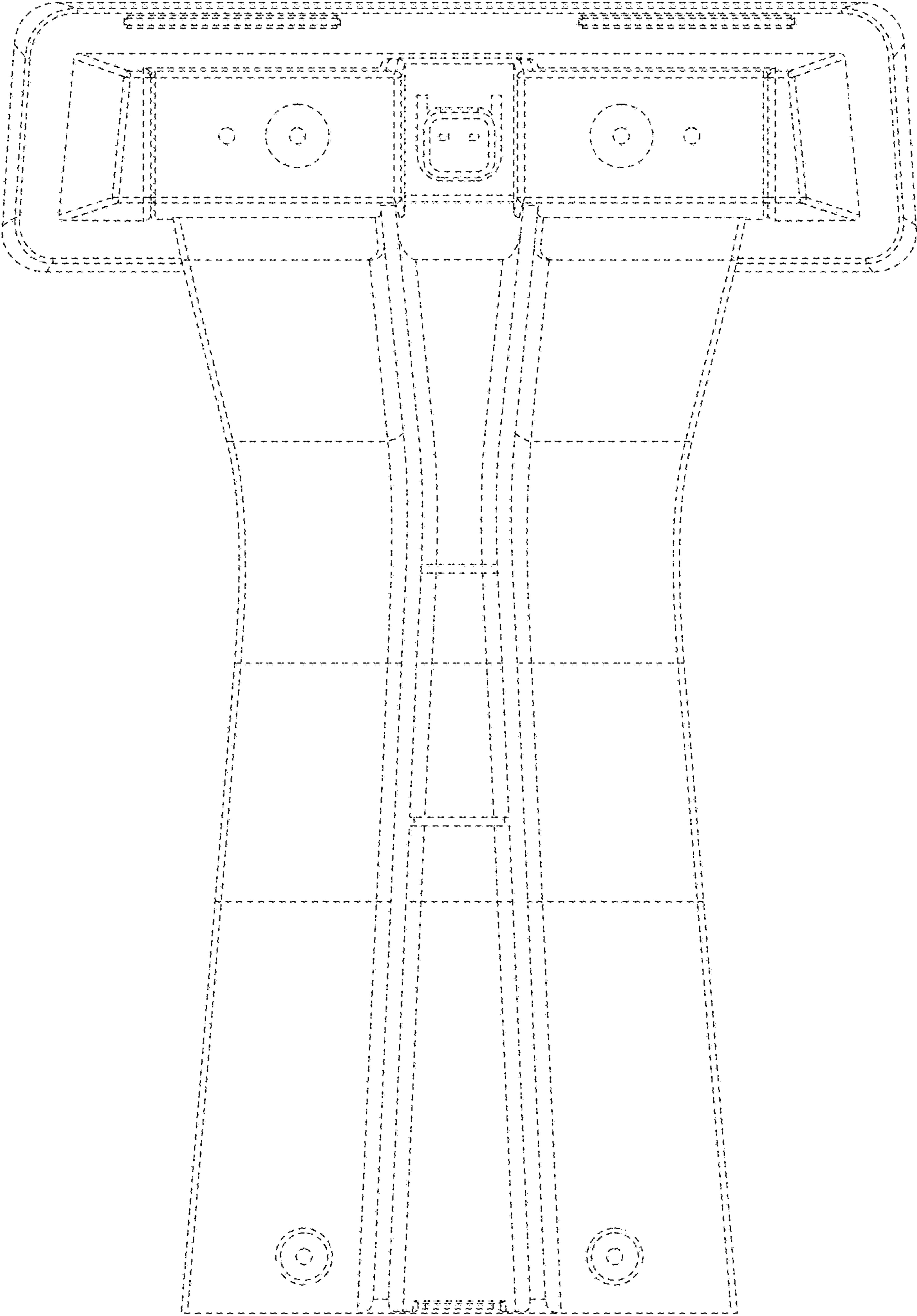


FIG. 3

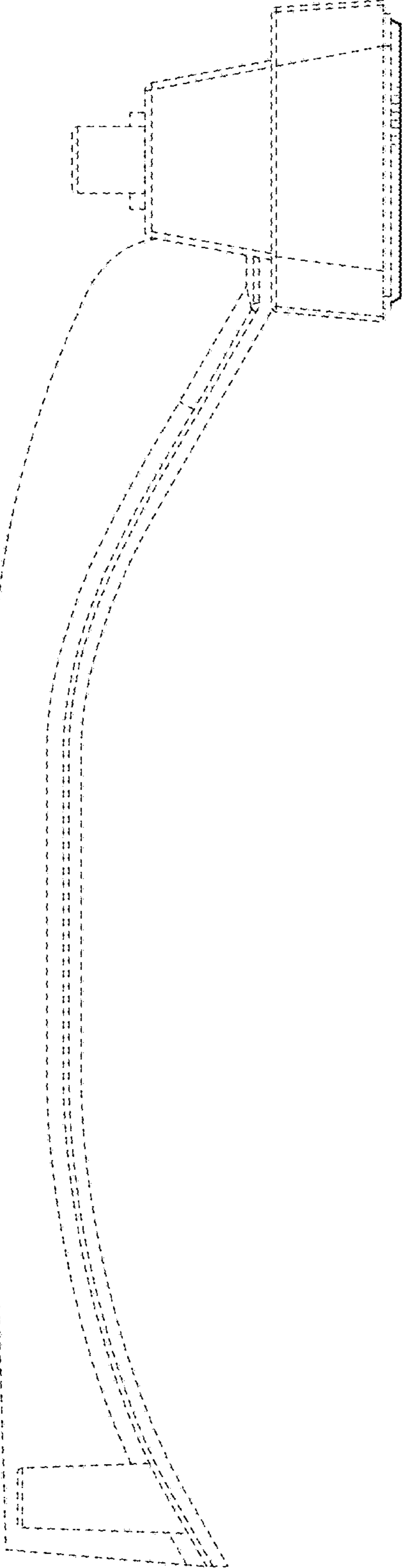


FIG. 4

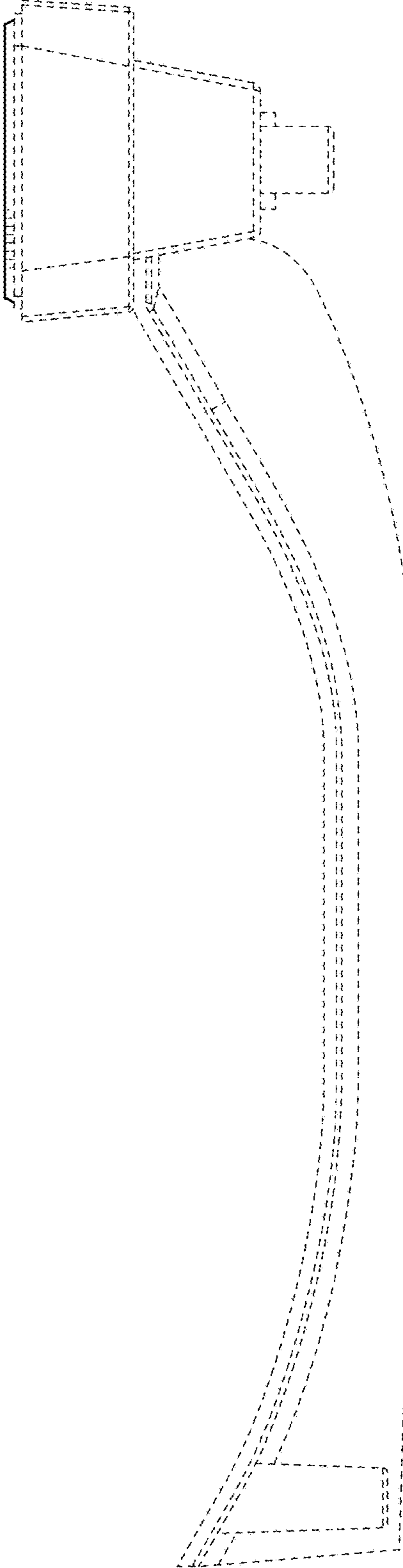


FIG. 5

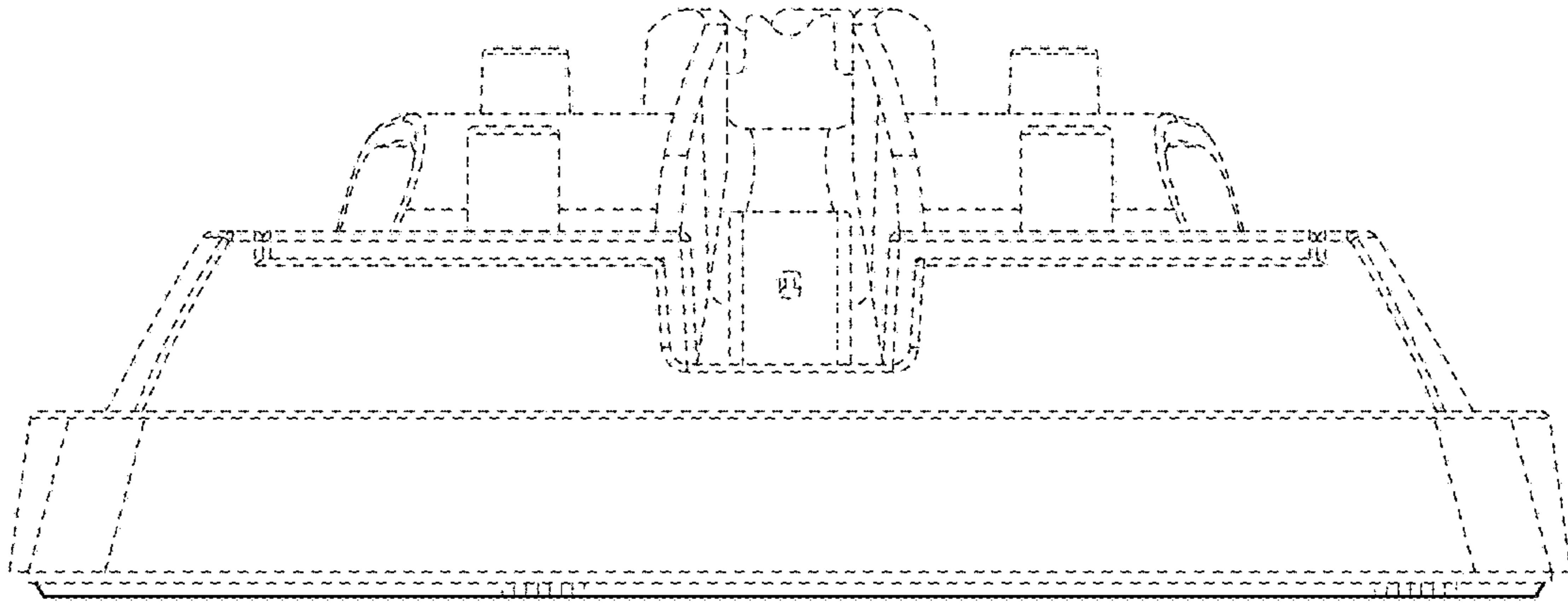


FIG. 6

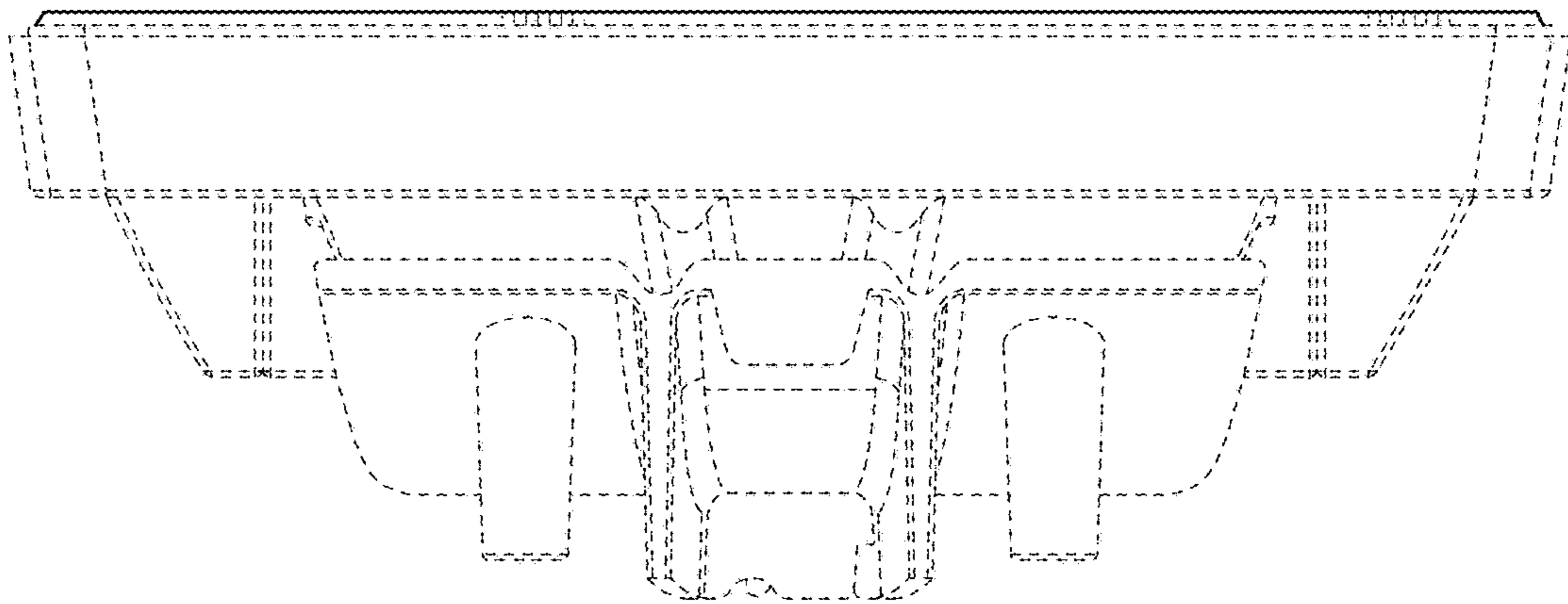


FIG. 7