



US00D812276S

(12) **United States Design Patent**
Lin

(10) **Patent No.:** **US D812,276 S**
(45) **Date of Patent:** **** Mar. 6, 2018**

(54) **VEHICLE TAILLIGHT**
(71) Applicant: **KUEN HWA TRAFFIC INDUSTRIAL CO., LTD.**, Tainan (TW)
(72) Inventor: **Yung-Hsiang Lin**, Tainan (TW)
(73) Assignee: **Kuen Hwa Traffic Industrial Co., Ltd.**, Tainan (TW)

| | | | | |
|--------------|---------|-------|-------|--------|
| D637,320 S * | 5/2011 | Yang | | D26/28 |
| D723,199 S * | 2/2015 | Lai | | D26/28 |
| D731,099 S * | 6/2015 | Thole | | D26/28 |
| D743,064 S * | 11/2015 | Lai | | D26/28 |
| D745,711 S * | 12/2015 | Lai | | D26/28 |
| D749,246 S * | 2/2016 | Thole | | D26/28 |
| D756,549 S * | 5/2016 | Lai | | D26/28 |
| D759,274 S * | 6/2016 | Lai | | D26/28 |
| D761,458 S * | 7/2016 | Chung | | D26/28 |
| D775,384 S * | 12/2016 | Lin | | D26/28 |
| D775,385 S * | 12/2016 | Lin | | D26/28 |

(**) Term: **15 Years**

* cited by examiner

(21) Appl. No.: **29/598,281**

Primary Examiner — Angela J Lee

(22) Filed: **Mar. 24, 2017**

(74) *Attorney, Agent, or Firm* — Rosenberg, Klein & Lee

(51) **LOC (11) Cl.** **26-07**

(57) **CLAIM**

(52) **U.S. Cl.**
USPC **D26/28**

The ornamental design for a vehicle taillight, as shown and described.

(58) **Field of Classification Search**
USPC D26/28-36; 362/459-468, 475-478, 362/485-487

DESCRIPTION

CPC F21S 48/00; F21S 48/10; F21S 48/115; F21S 48/225; F21S 48/1233; F21S 48/1266; F21S 48/1388; F21S 48/2268; F21V 21/04

FIG. 1 is a perspective view of a vehicle taillight showing my present design;
FIG. 2 is a front view thereof;
FIG. 3 is a right view thereof;
FIG. 4 is a top plan view thereof;
FIG. 5 is a bottom plan view thereof; and,
FIG. 6 is another perspective view thereof.

See application file for complete search history.

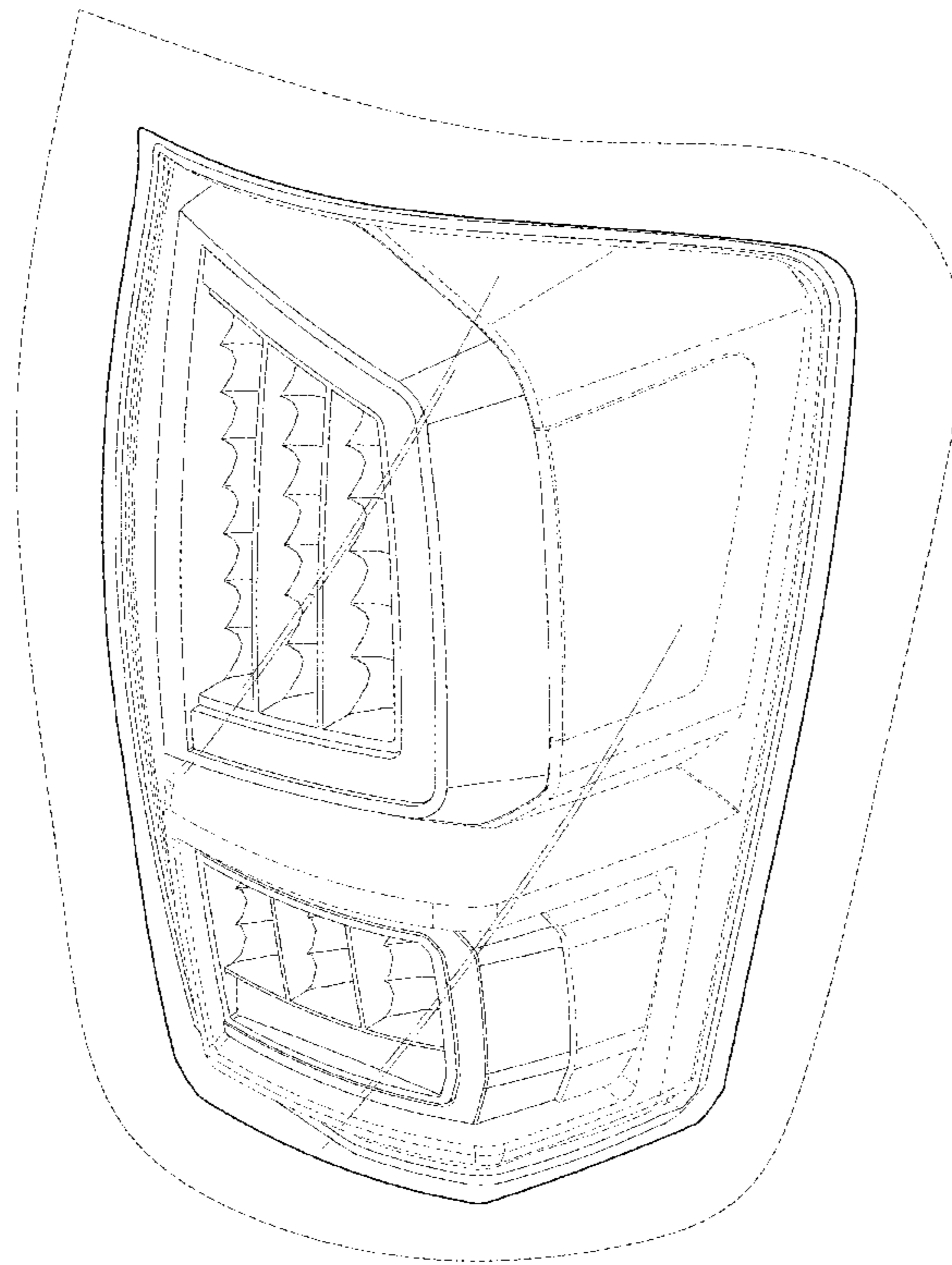
The broken lines in the drawings illustrate portions of the vehicle taillight which form no part of the claimed design.

(56) **References Cited**

U.S. PATENT DOCUMENTS

| | | | | |
|--------------|--------|------|-------|--------|
| D592,336 S * | 5/2009 | Hsu | | D26/28 |
| D631,177 S * | 1/2011 | Yang | | D26/28 |

1 Claim, 6 Drawing Sheets



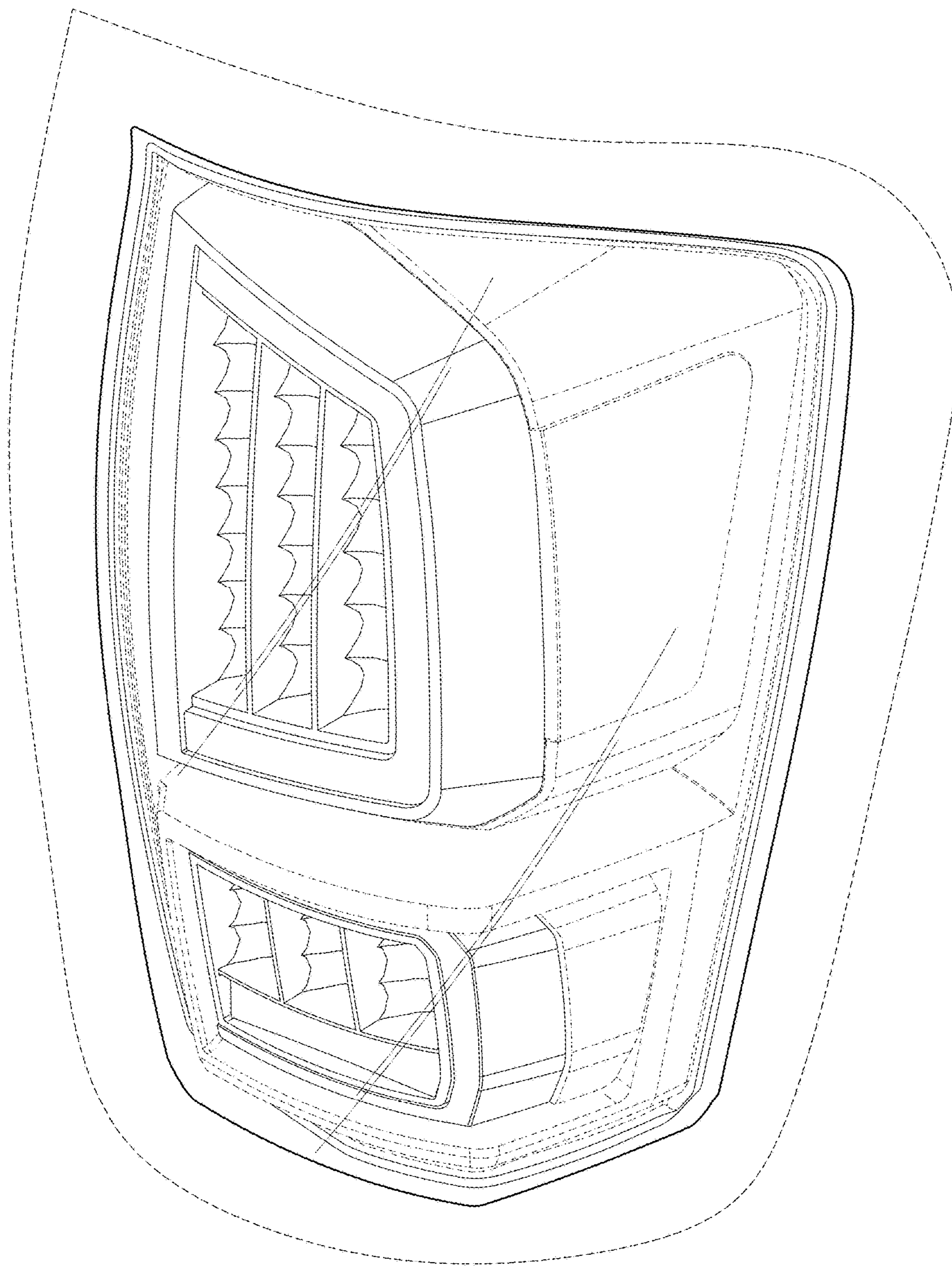


FIG . 1

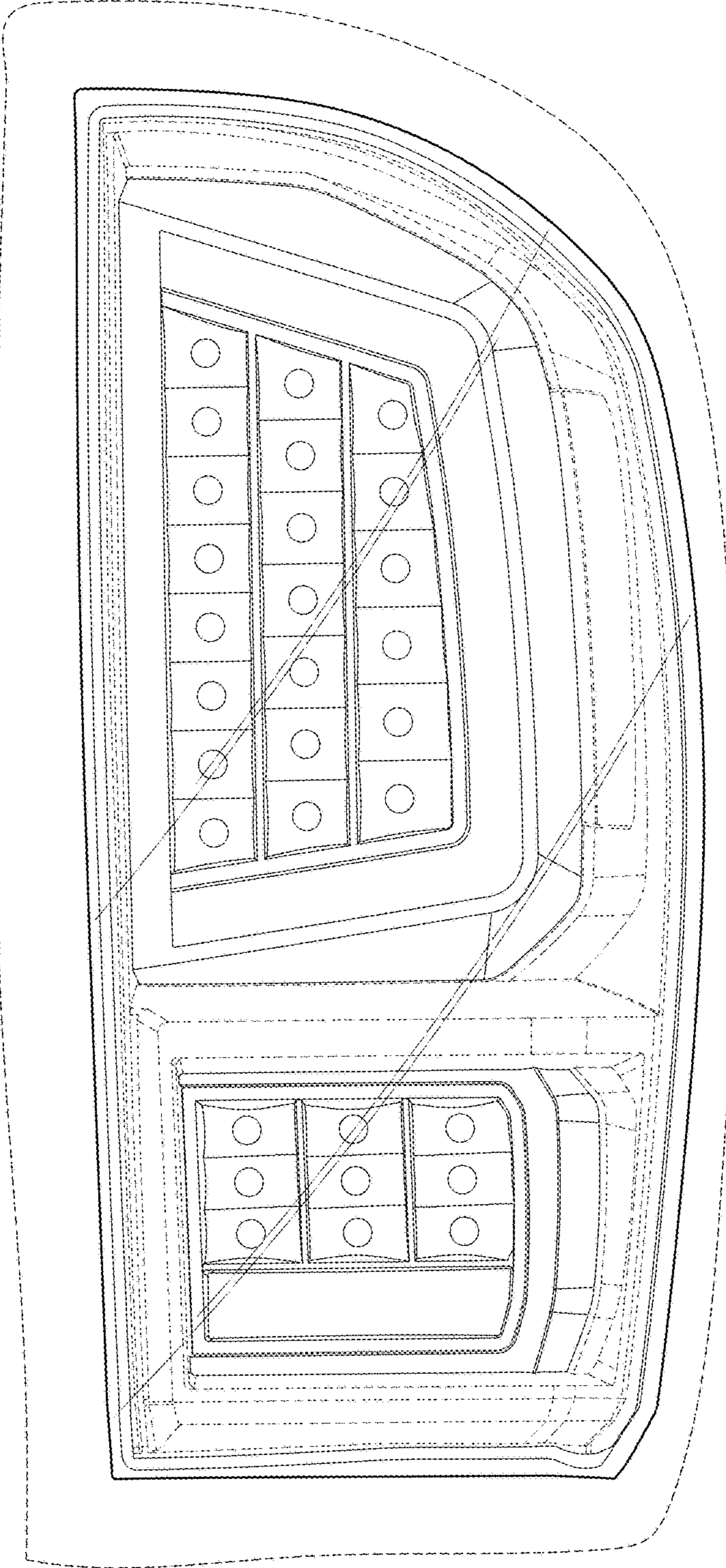


FIG. 2

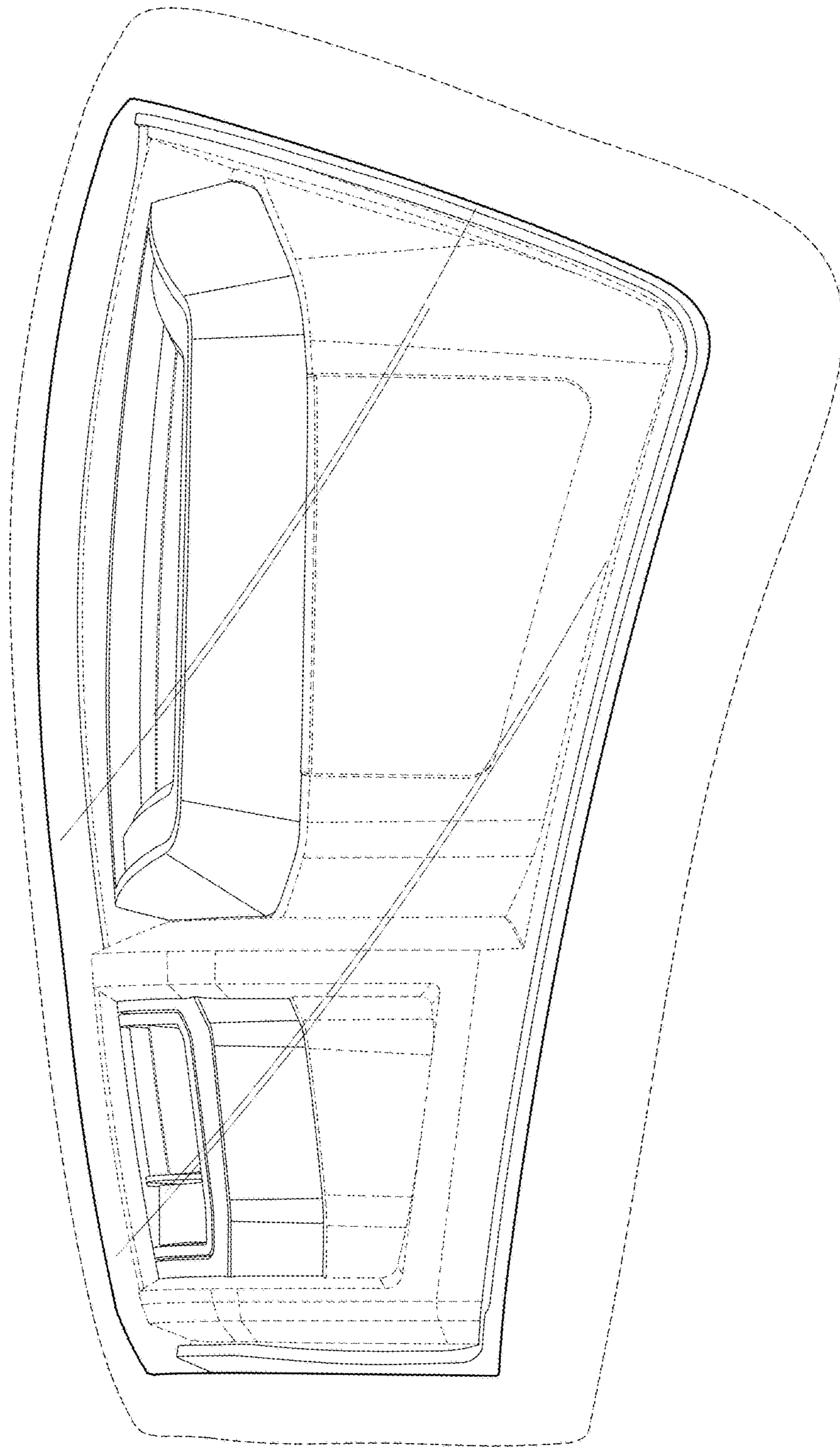


FIG. 3

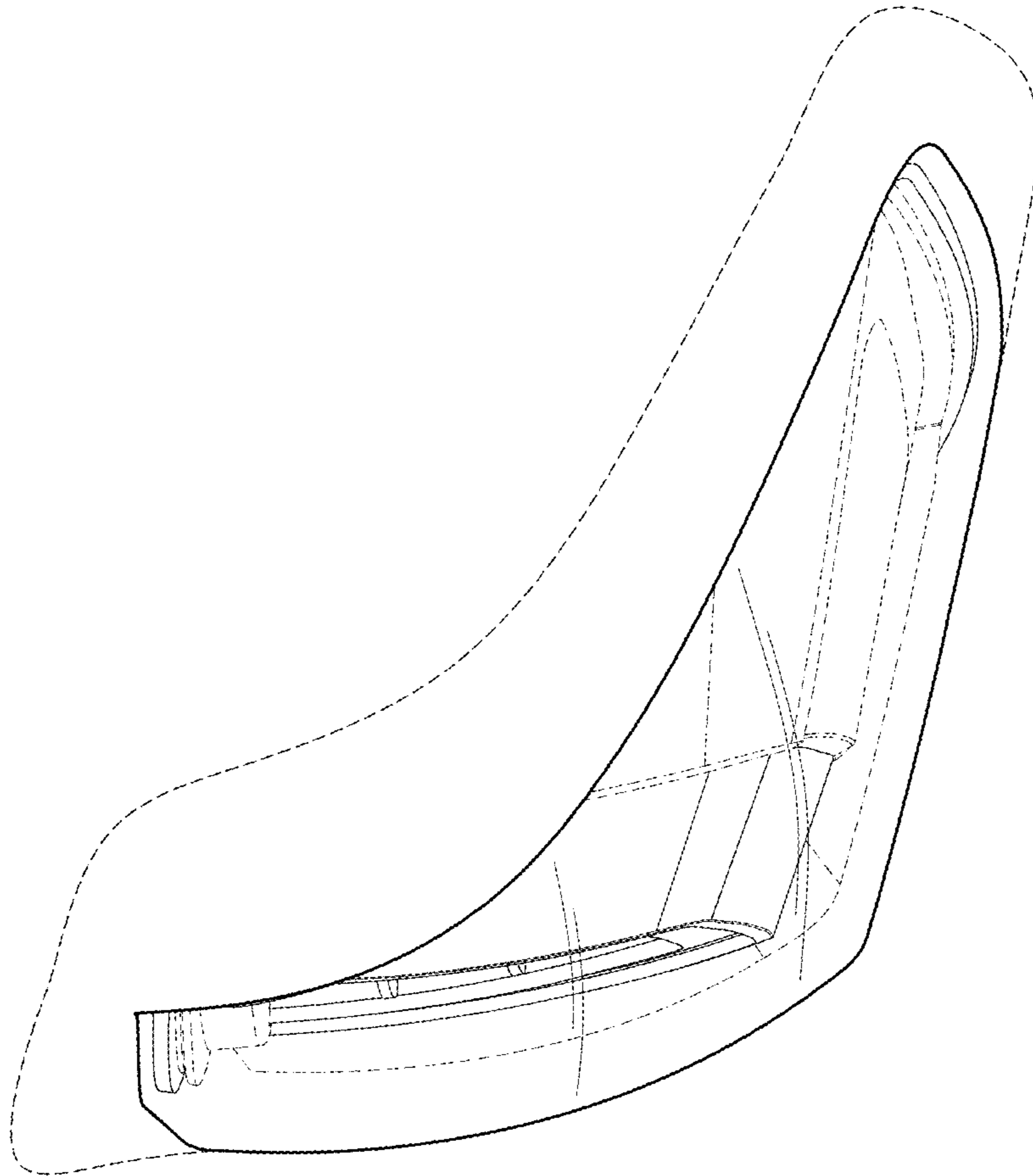


FIG. 4

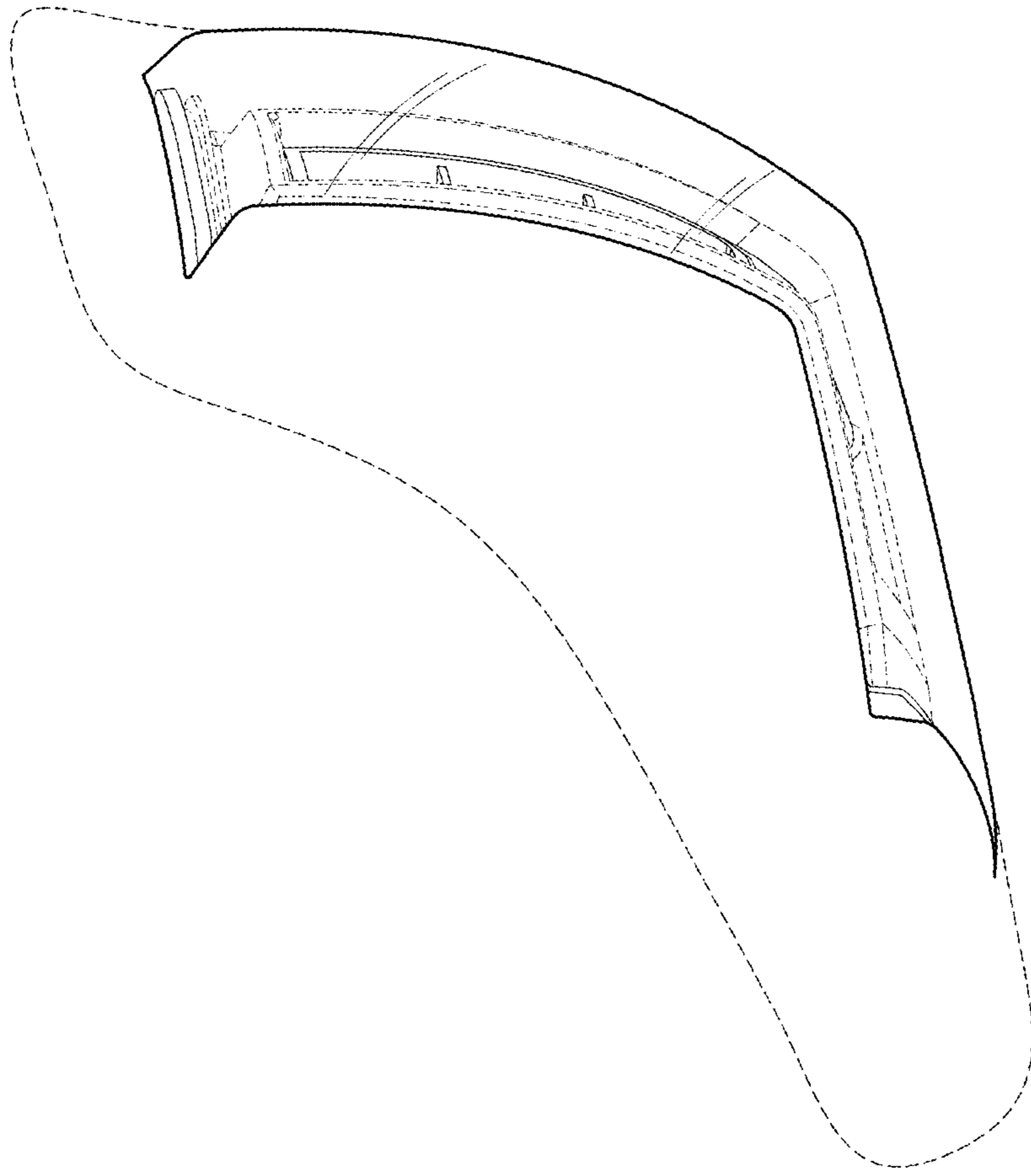


FIG. 5

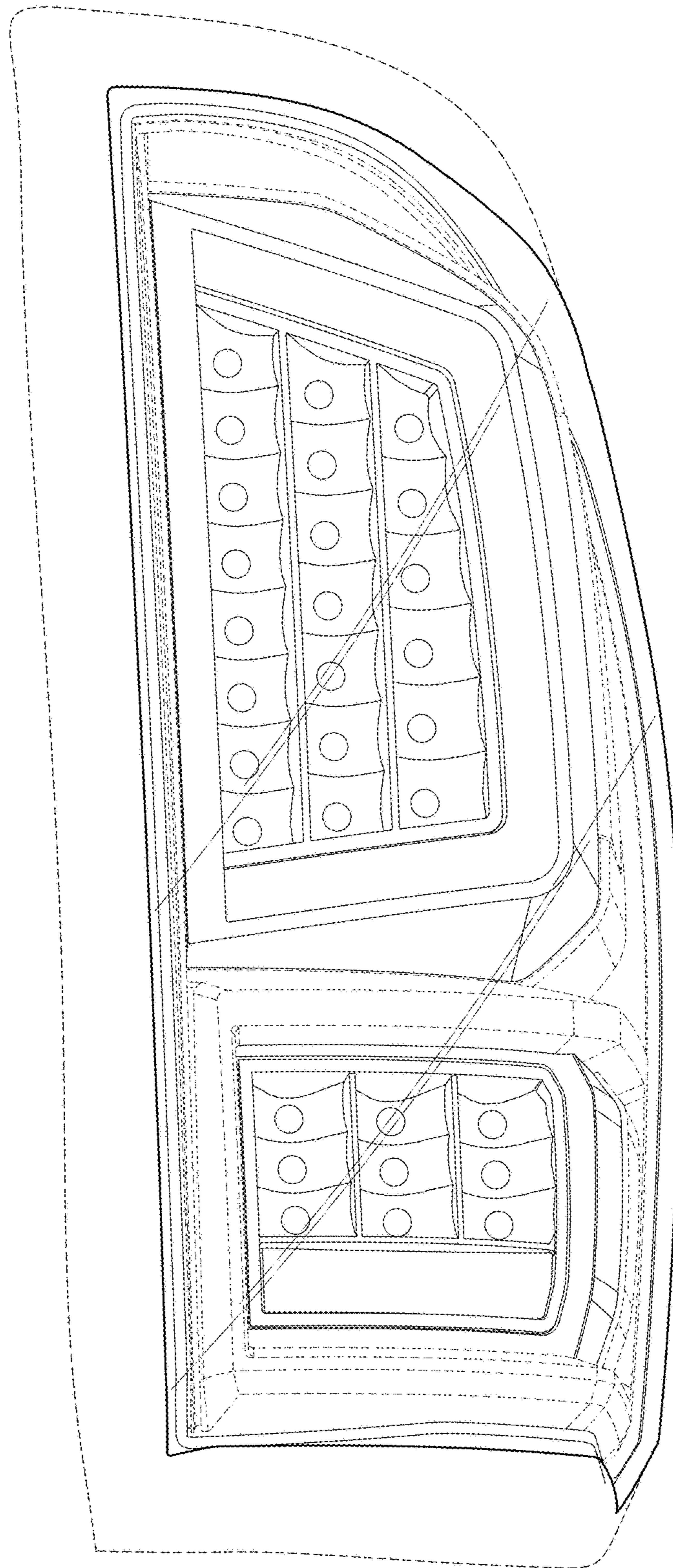


FIG. 6