



US00D812275S

(12) **United States Design Patent**  
**Wu**

(10) **Patent No.:** **US D812,275 S**  
(45) **Date of Patent:** **\*\* Mar. 6, 2018**

(54) **VEHICLE LIGHT**

(71) Applicant: **COPLUS INC.**, Tainan (TW)

(72) Inventor: **Po-Hua Wu**, Tainan (TW)

(73) Assignee: **Coplus Inc.**, Tainan (TW)

(\*\*) Term: **15 Years**

(21) Appl. No.: **29/596,613**

(22) Filed: **Mar. 9, 2017**

(30) **Foreign Application Priority Data**

Dec. 26, 2016 (TW) ..... 105307878

(51) **LOC (11) Cl.** ..... **26-07**

(52) **U.S. Cl.**  
USPC ..... **D26/28**

(58) **Field of Classification Search**  
USPC ..... D26/28-36; 362/459-468, 475-478,  
362/485-487

CPC ..... F21S 48/00; F21S 48/10; F21S 48/115;  
F21S 48/225; F21S 48/1233; F21S  
48/1266; F21S 48/1388; F21S 48/2268;  
F21V 21/04

See application file for complete search history.

(56) **References Cited**

**U.S. PATENT DOCUMENTS**

D634,868 S \* 3/2011 Matei ..... D26/28  
D684,710 S \* 6/2013 Chen ..... D26/28

D723,723 S \* 3/2015 Goto ..... D26/28  
D735,920 S \* 8/2015 Honda ..... D26/28  
D745,717 S \* 12/2015 Wu ..... D26/28  
D748,305 S \* 1/2016 Miyazawa ..... D26/28  
D749,251 S \* 2/2016 Nakahara ..... D26/28  
D757,967 S \* 5/2016 Kim ..... D26/28  
D774,224 S \* 12/2016 Okue ..... D26/28  
D780,354 S \* 2/2017 Futamata ..... D26/28  
D780,966 S \* 3/2017 Binder ..... D26/28  
D789,572 S \* 6/2017 Peat ..... D26/28  
D798,478 S \* 9/2017 Haeussinger ..... D26/28

\* cited by examiner

*Primary Examiner* — Angela J Lee

(74) *Attorney, Agent, or Firm* — Lewis Roca Rothgerber  
Christie LLP

(57) **CLAIM**

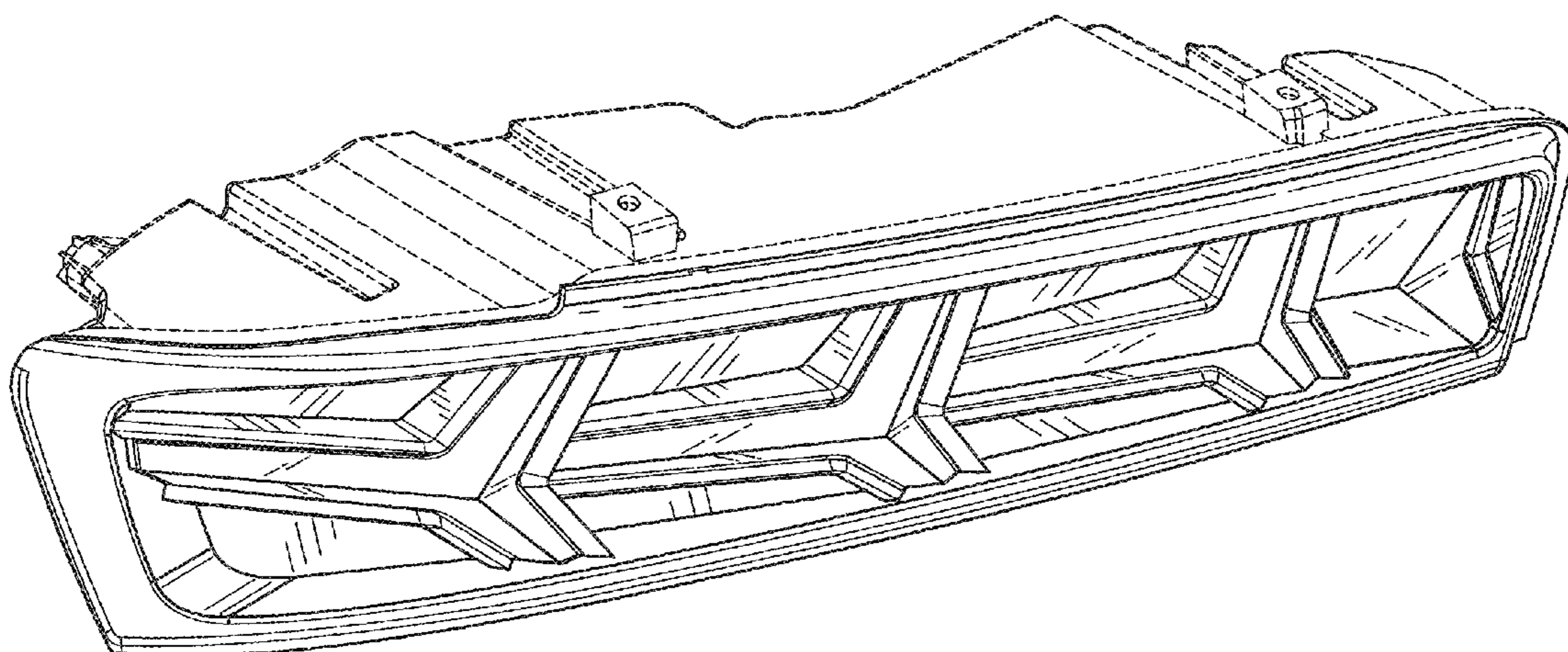
The ornamental design for vehicle light, as shown and  
described.

**DESCRIPTION**

FIG. 1 is a perspective view of the vehicle light;  
FIG. 2 is a front view thereof;  
FIG. 3 is a rear view thereof;  
FIG. 4 is a left side view thereof;  
FIG. 5 is a right side view thereof;  
FIG. 6 is a top view thereof; and,  
FIG. 7 is a bottom view thereof.

The broken lines in the drawings are for illustrative purpose  
only and form no part of the claimed design.

**1 Claim, 5 Drawing Sheets**



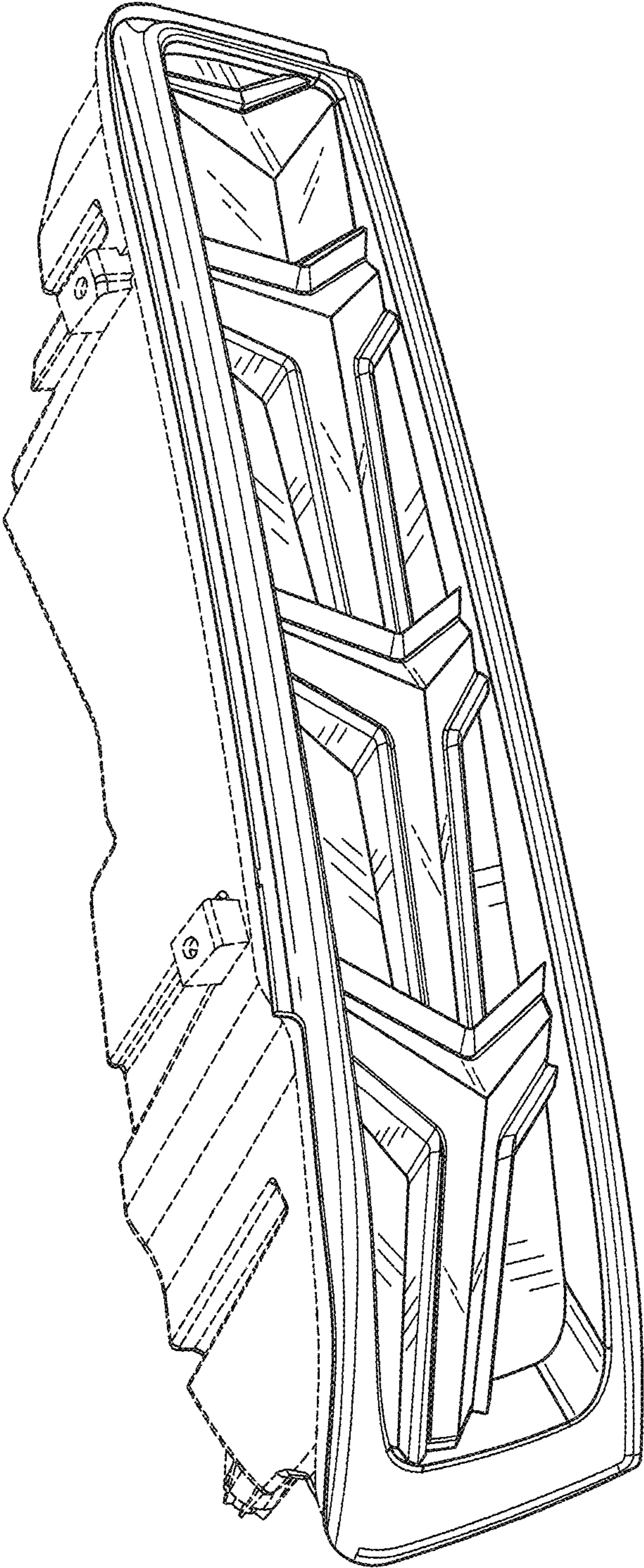


FIG. 1

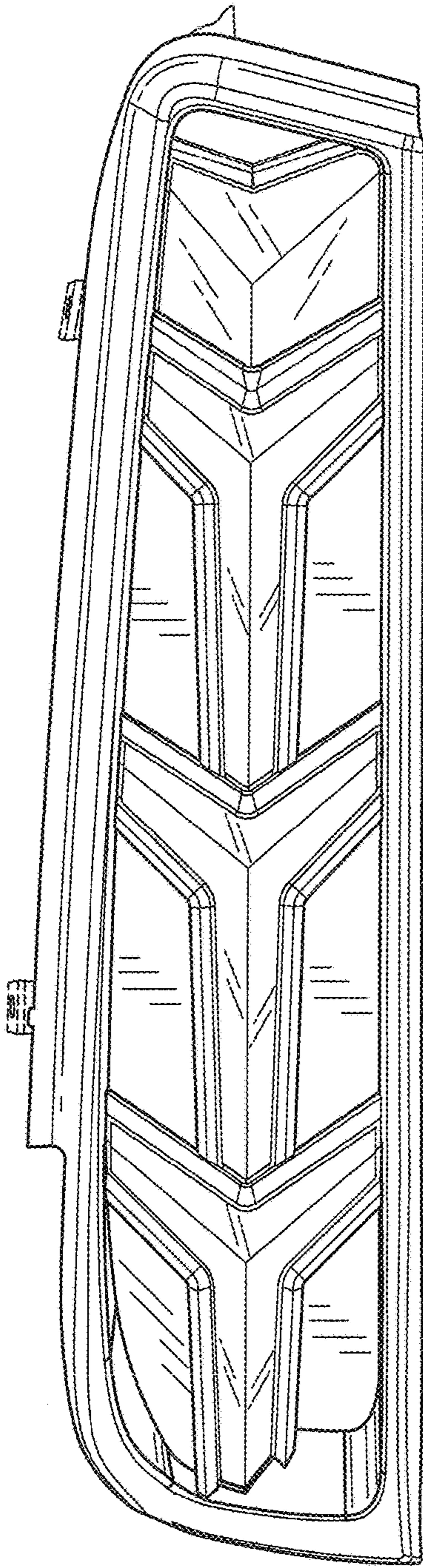


FIG. 2

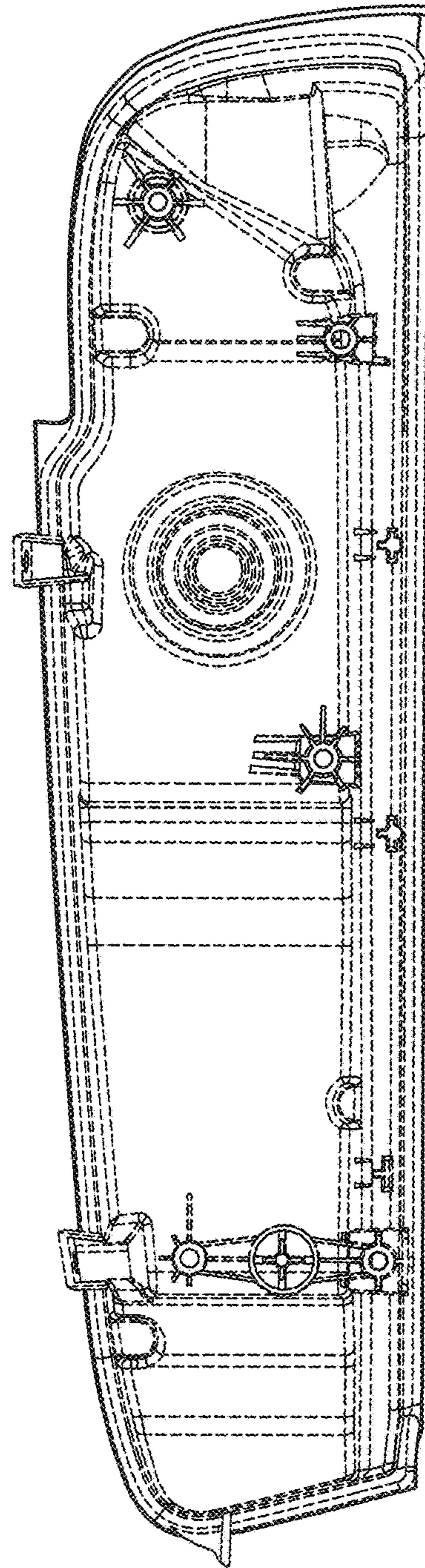


FIG. 3

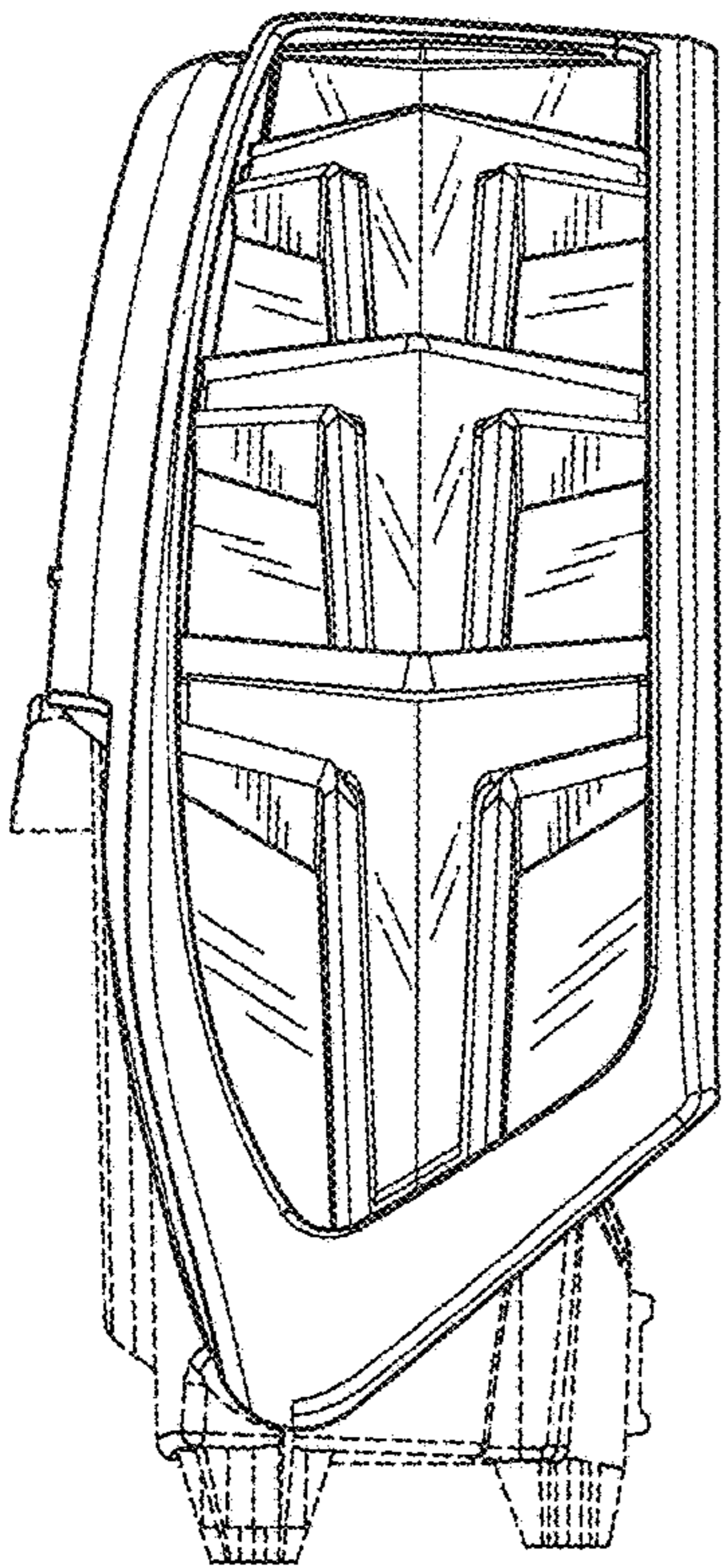


FIG. 4

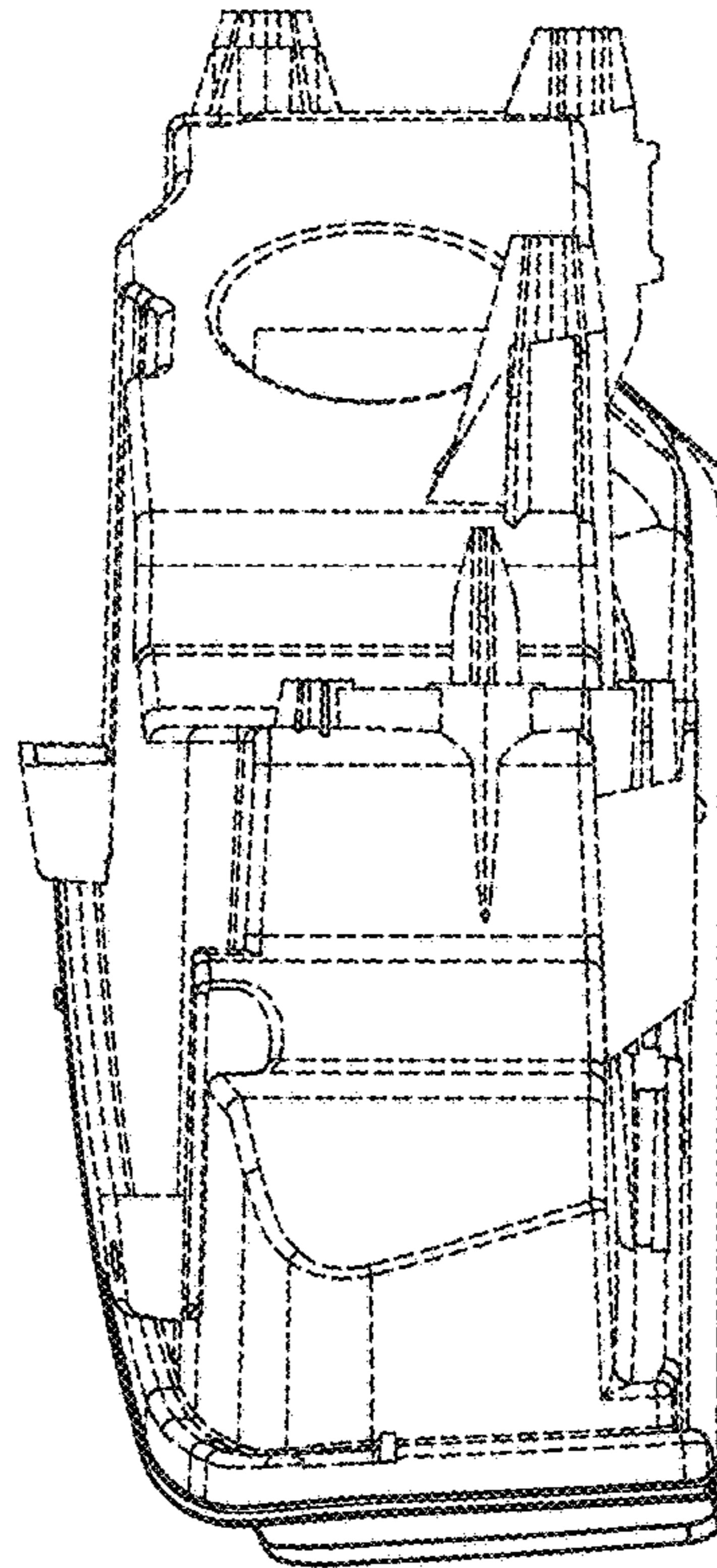


FIG. 5

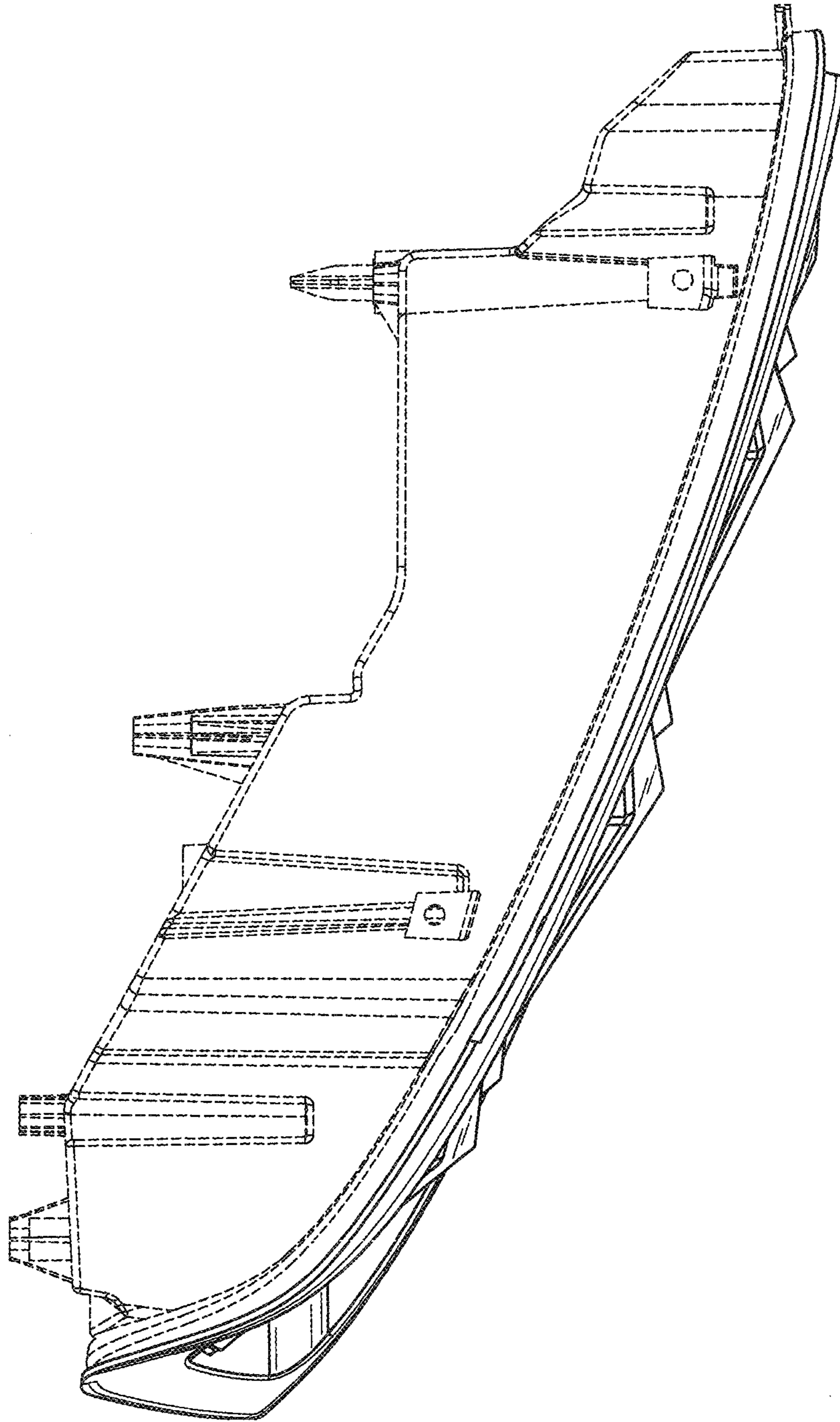


FIG. 6

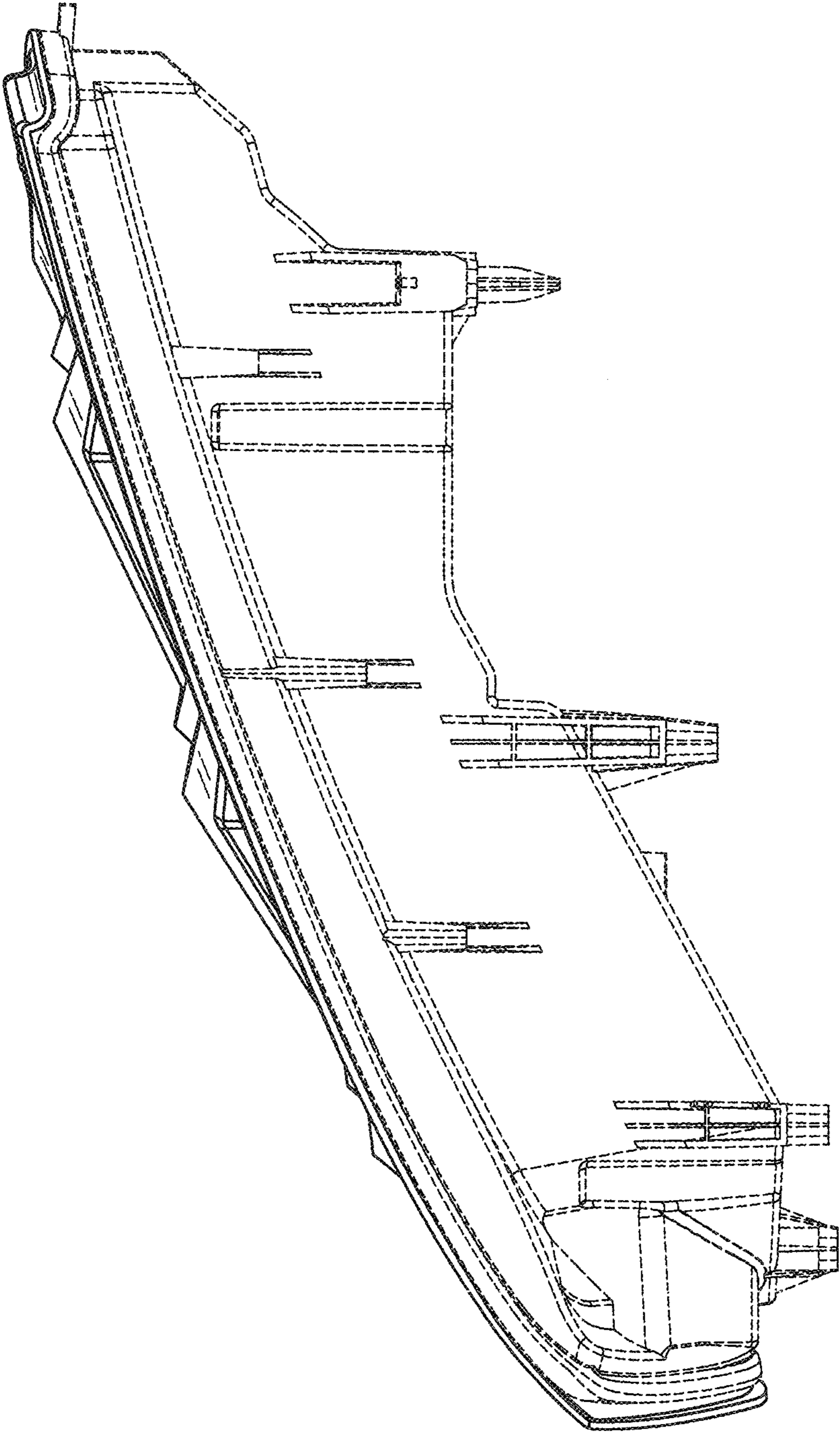


FIG. 7