



US00D812274S

(12) **United States Design Patent**
Wu

(10) **Patent No.:** **US D812,274 S**
(45) **Date of Patent:** **** Mar. 6, 2018**

(54) **VEHICLE LIGHT**
(71) Applicant: **COPLUS INC.**, Tainan (TW)
(72) Inventor: **Po-Hua Wu**, Tainan (TW)
(73) Assignee: **Coplus Inc.**, Tainan (TW)
(**) Term: **15 Years**

D735,911 S * 8/2015 O'Donnell D26/28
D744,678 S * 12/2015 Lai D26/28
D745,725 S * 12/2015 McMahan D26/28
D749,246 S * 2/2016 Thole D26/28
D761,458 S * 7/2016 Chung D26/28
D770,068 S * 10/2016 Kapitonov D26/28
D771,294 S * 11/2016 Tsai D26/28
D771,852 S * 11/2016 Tsai D26/28
D792,618 S * 7/2017 Wu D26/28
D792,619 S * 7/2017 Wu D26/28
D796,708 S * 9/2017 Lai D26/28

(21) Appl. No.: **29/596,028**
(22) Filed: **Mar. 3, 2017**

* cited by examiner

(30) **Foreign Application Priority Data**

Primary Examiner — Angela J Lee
(74) *Attorney, Agent, or Firm* — Lewis Roca Rothgerber
Christie LLP

Oct. 12, 2016 (TW) 105302719D02

(51) **LOC (11) Cl.** **26-07**
(52) **U.S. Cl.**
USPC **D26/28**

(57) **CLAIM**

(58) **Field of Classification Search**
USPC D26/28-36; 362/459-468, 475-478,
362/485-487
CPC F21S 48/00; F21S 48/10; F21S 48/115;
F21S 48/225; F21S 48/1233; F21S
48/1266; F21S 48/1388; F21S 48/2268;
F21V 21/04
See application file for complete search history.

The ornamental design for vehicle light, as shown and
described.

DESCRIPTION

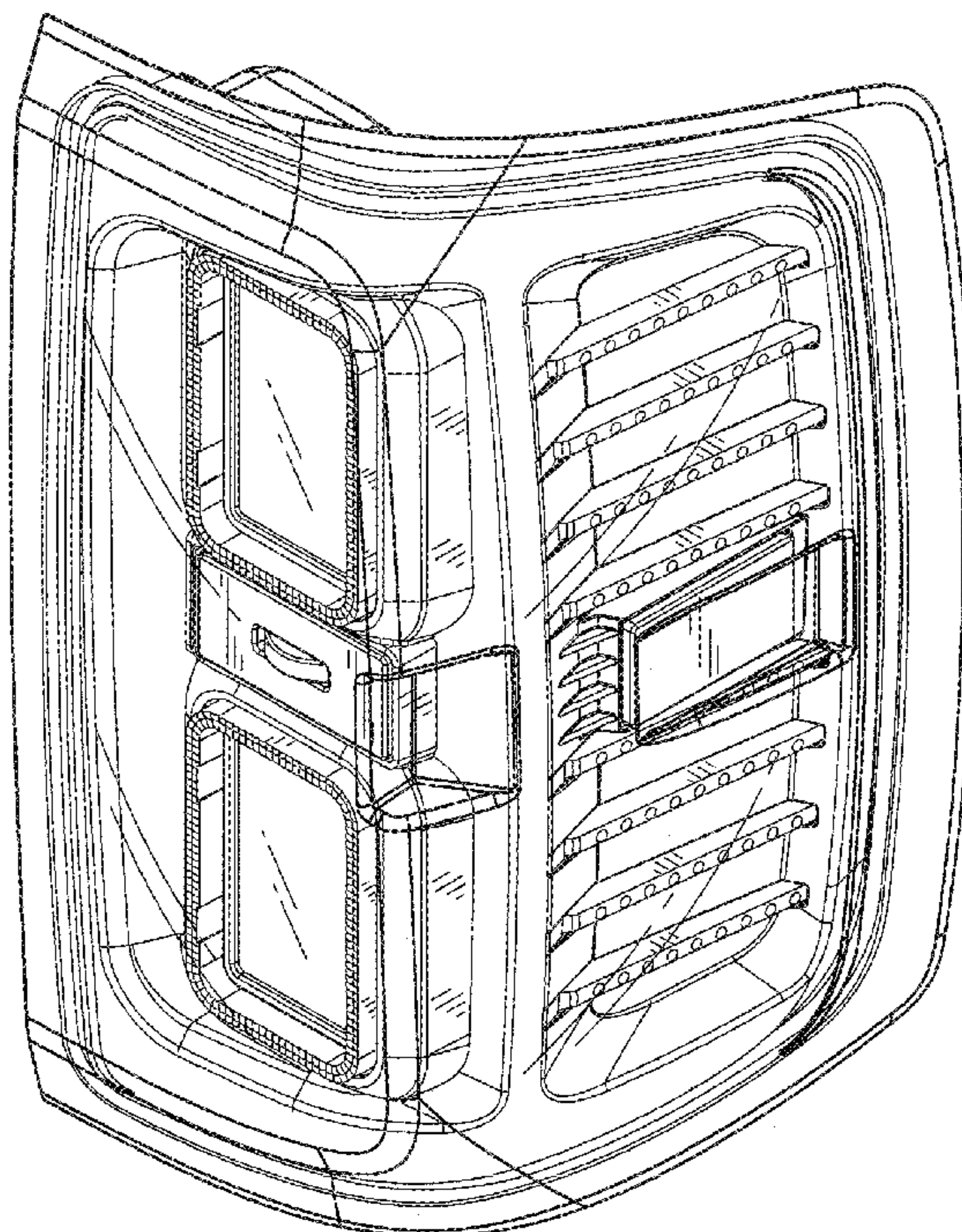
(56) **References Cited**

FIG. 1 is a perspective view of the vehicle light;
FIG. 2 is a front view thereof;
FIG. 3 is a rear view thereof;
FIG. 4 is a left side view thereof;
FIG. 5 is a right side view thereof;
FIG. 6 is a top view thereof; and,
FIG. 7 is a bottom view thereof.

U.S. PATENT DOCUMENTS

D604,874 S * 11/2009 Golden D26/28
D703,847 S * 4/2014 MacKay D26/28

1 Claim, 6 Drawing Sheets



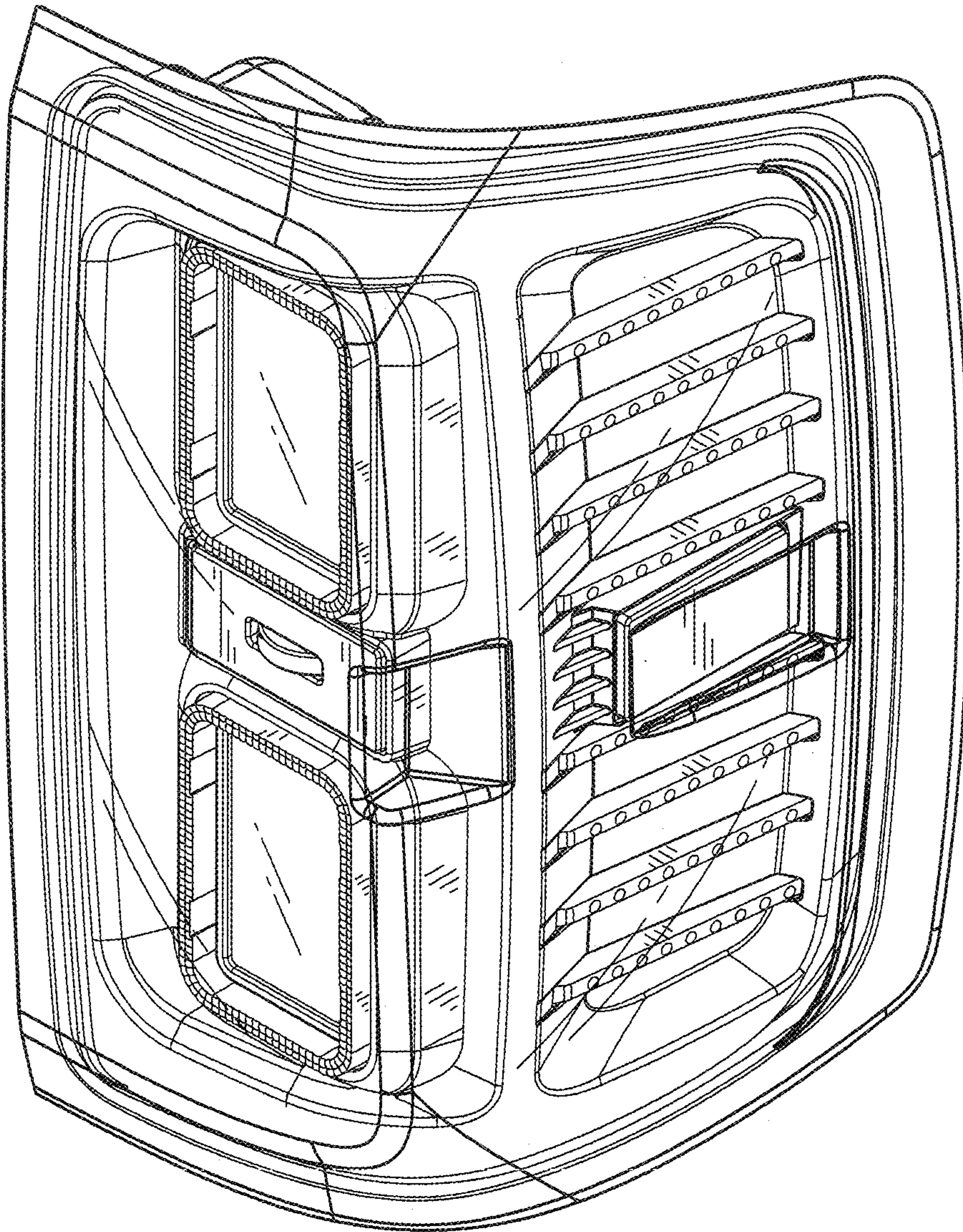


FIG. 1

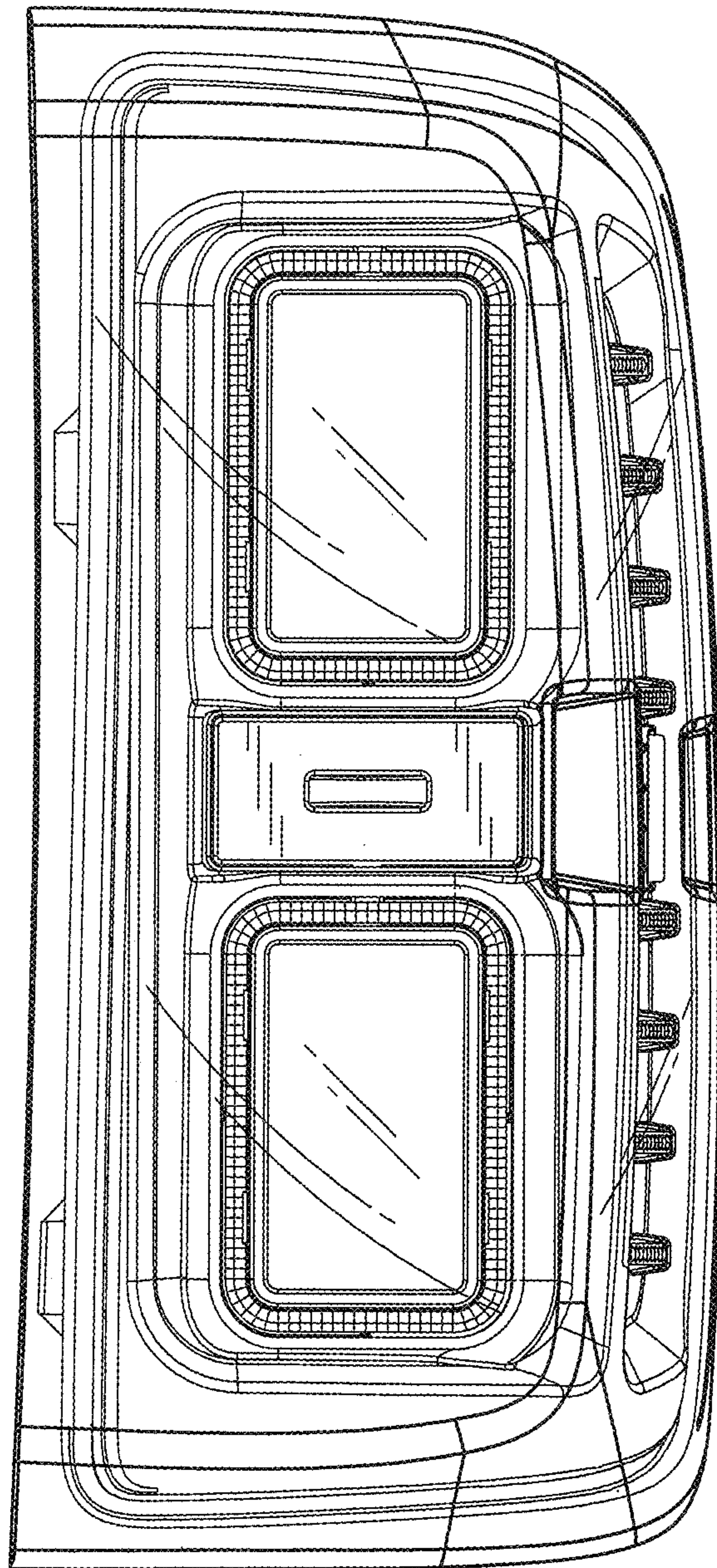


FIG. 2

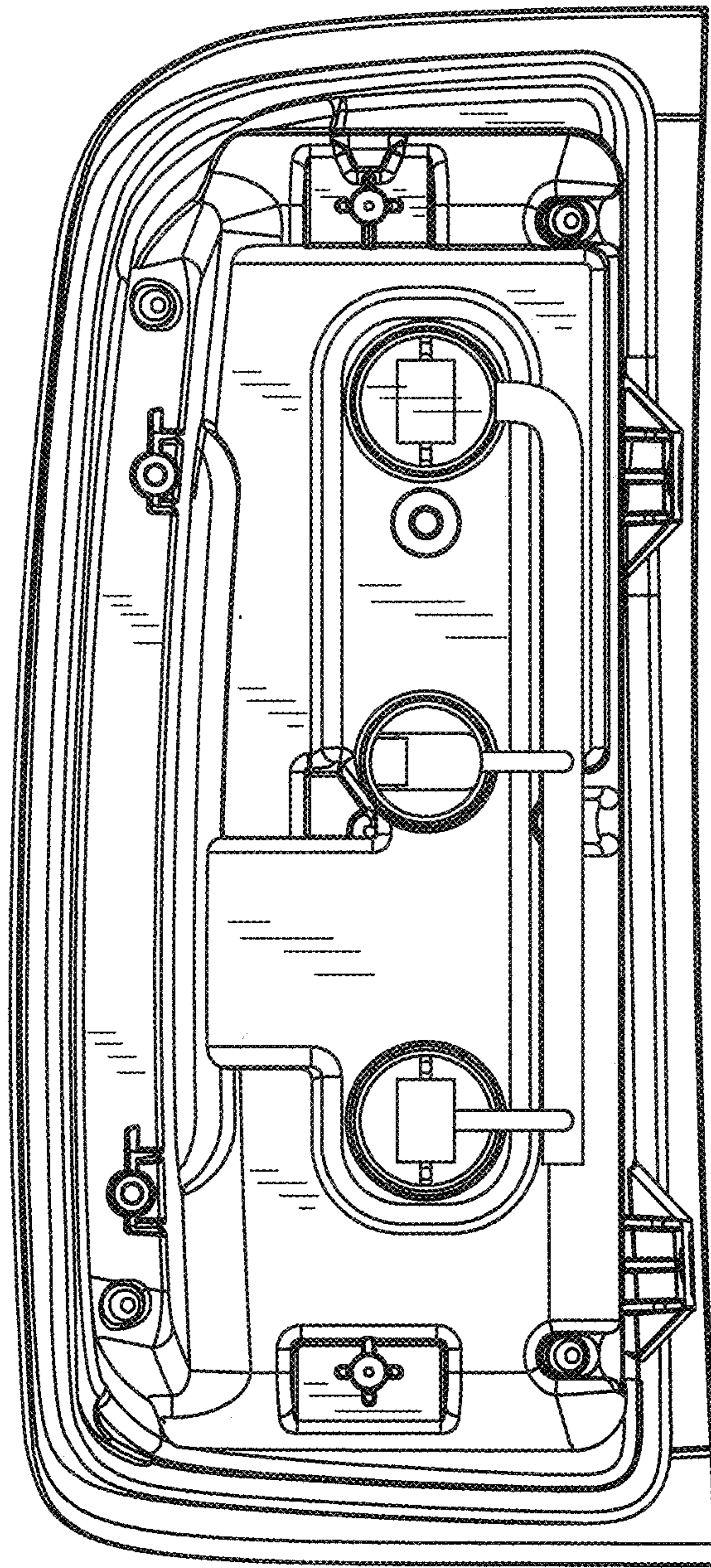


FIG. 3

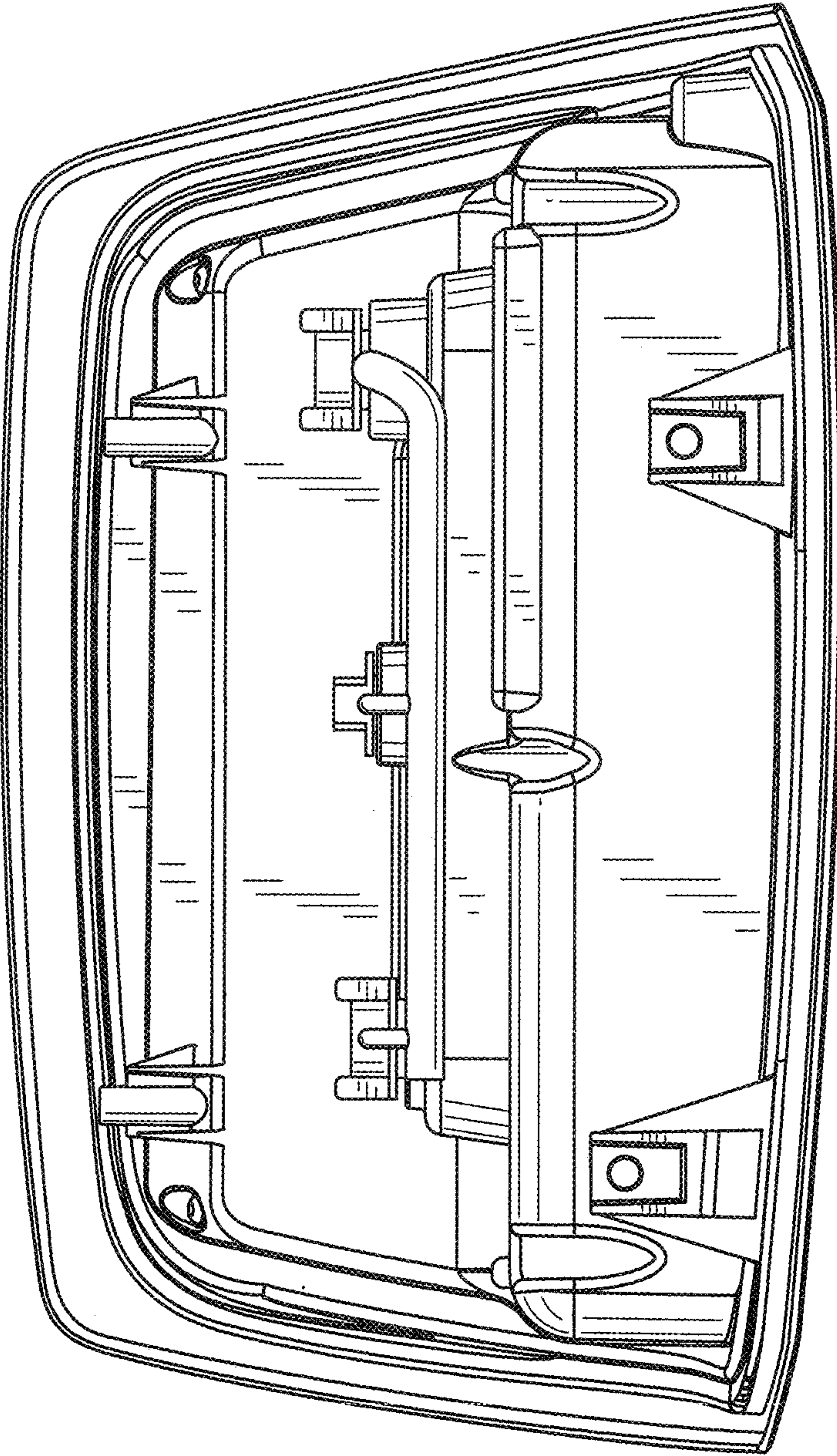


FIG. 4

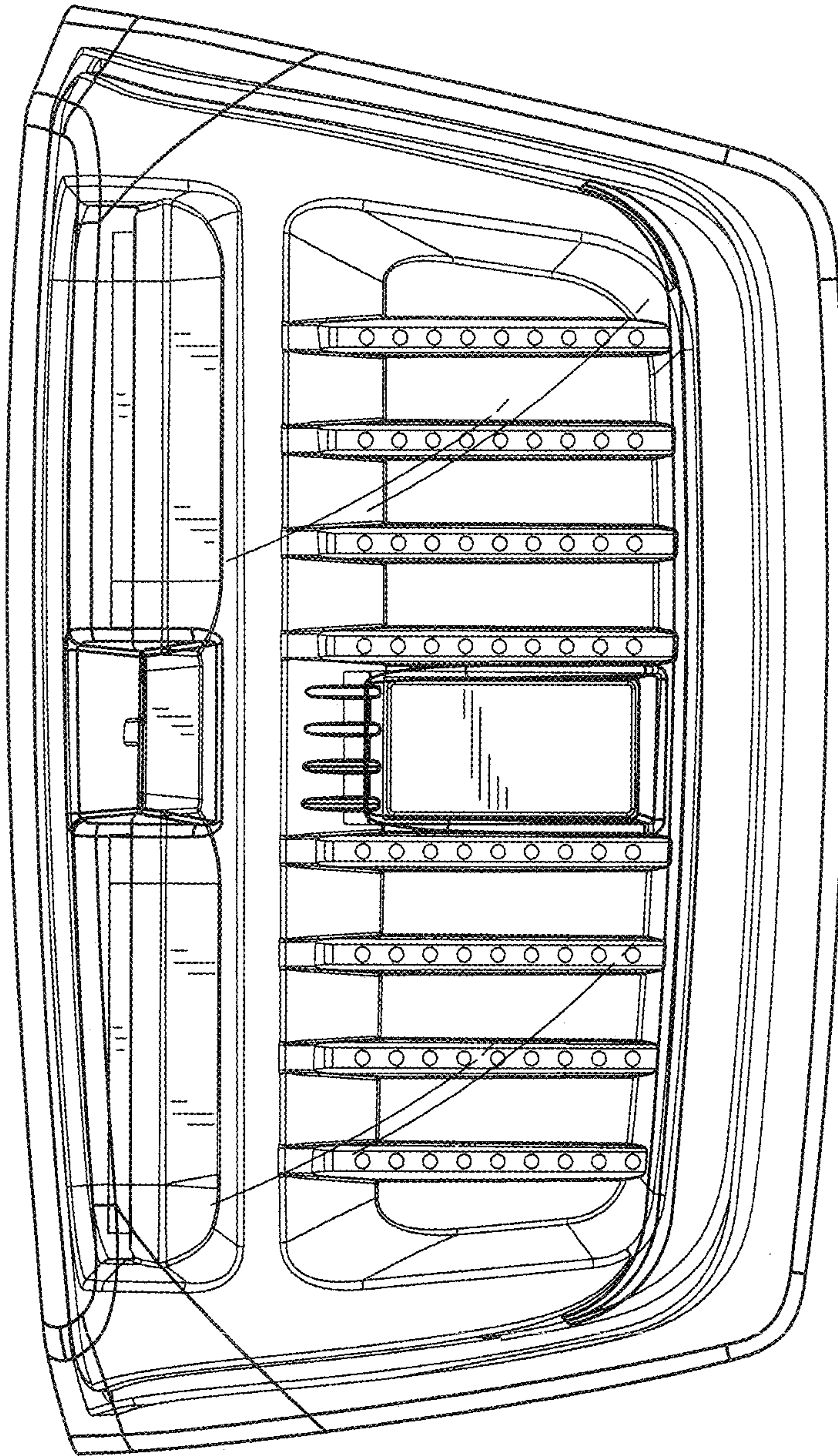


FIG. 5

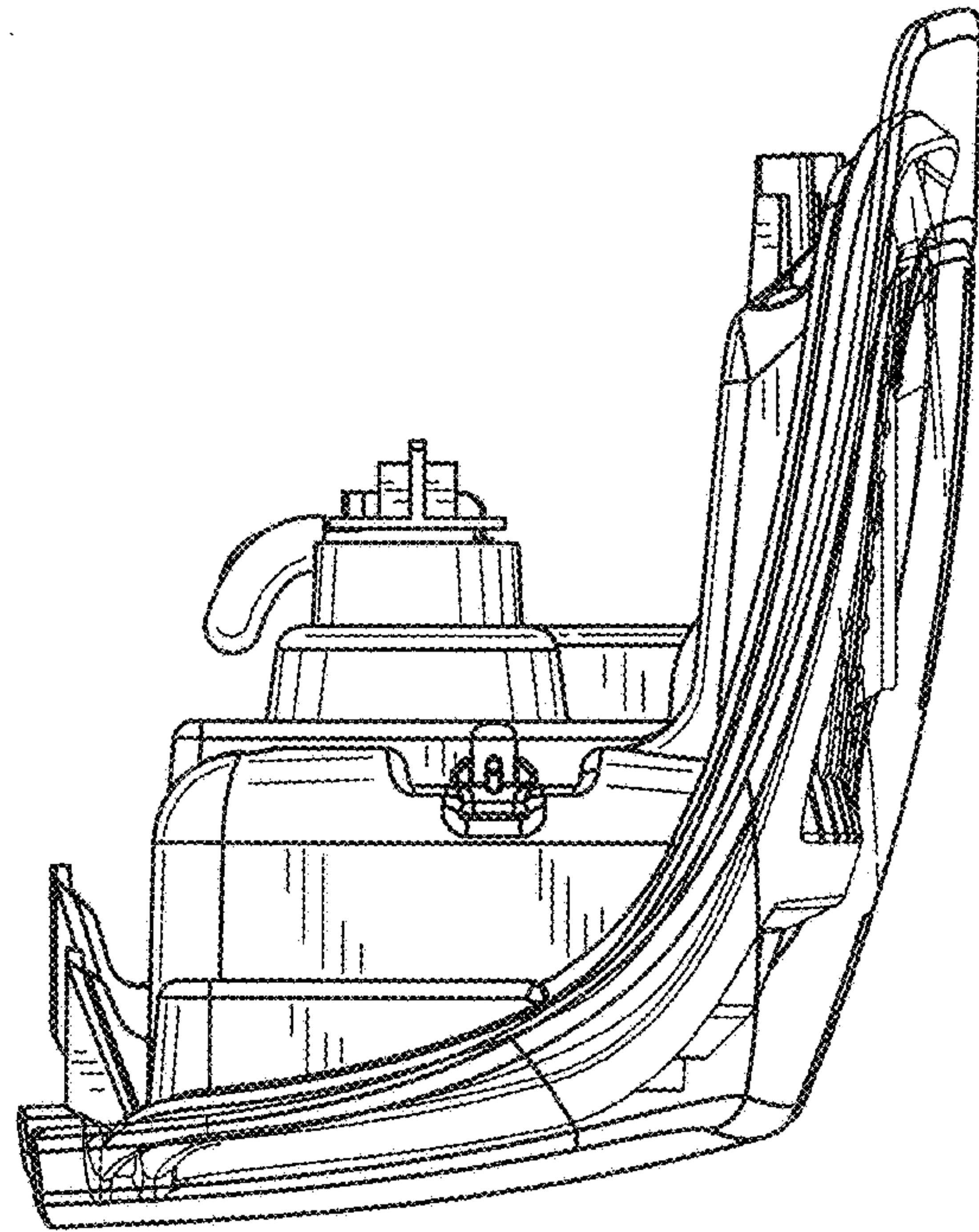


FIG. 6

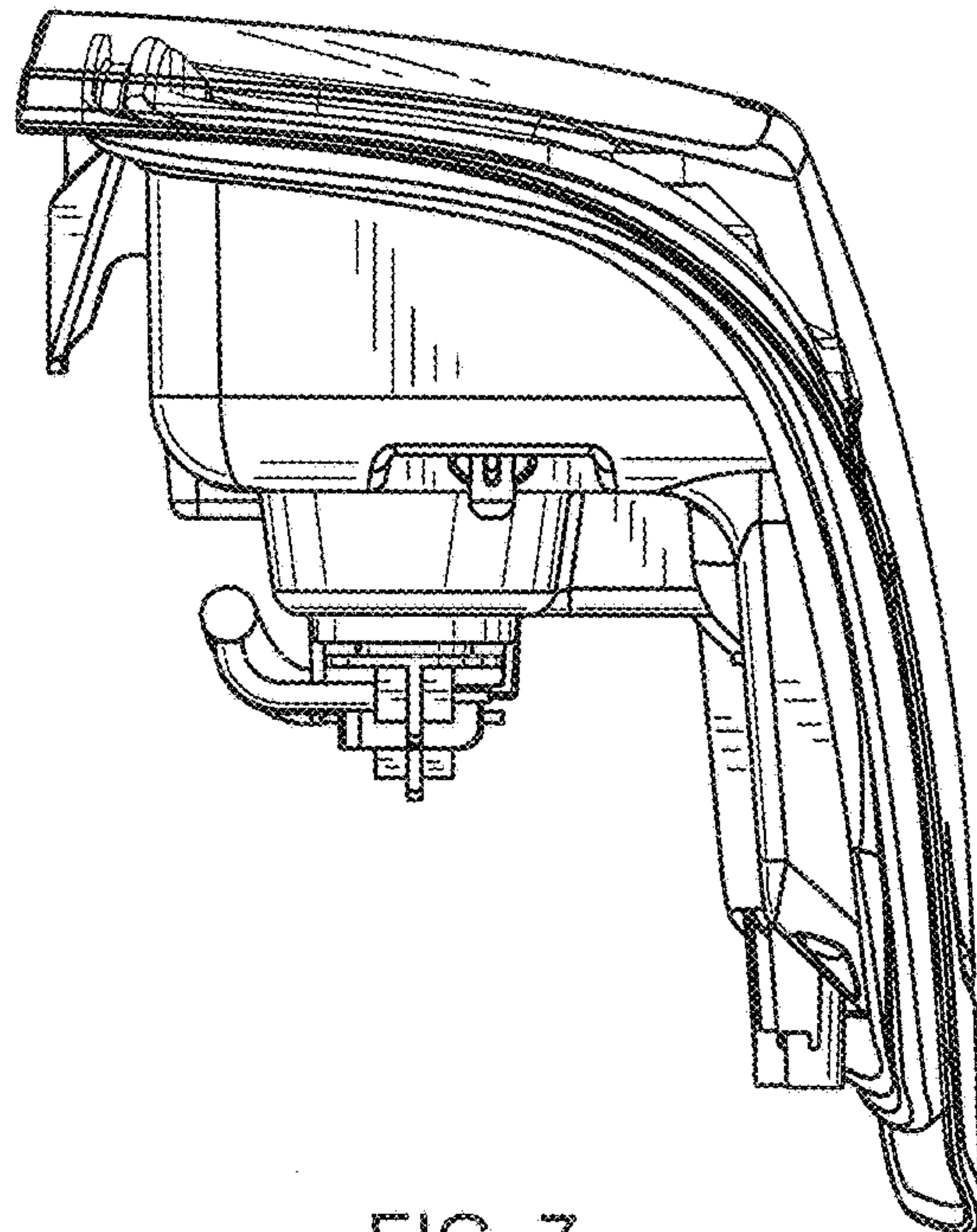


FIG. 7