



US00D812272S

(12) **United States Design Patent**
Lacock et al.

(10) **Patent No.:** **US D812,272 S**
(45) **Date of Patent:** **** Mar. 6, 2018**

(54) **SET OF VEHICLE HEADLIGHTS**

D556,349 S * 11/2007 Golden D26/28
D561,358 S * 2/2008 Tachibana D26/28
D570,007 S * 5/2008 Hsu D26/28
D593,232 S * 5/2009 Koman D26/28

(71) Applicant: **INGERSOLL-RAND COMPANY**,
Davidson, NC (US)

(72) Inventors: **Gregory Lacock**, Augusta, GA (US);
Nikolas Bryan-Dunaway, Augusta, GA
(US)

* cited by examiner

Primary Examiner — Marcus Jackson

(73) Assignee: **Ingersoll-Rand Company**, Davidson,
NC (US)

(74) *Attorney, Agent, or Firm* — Sunstone IP

(**) Term: **15 Years**

(57) **CLAIM**

(21) Appl. No.: **29/589,491**

The ornamental design for a set of vehicle headlights, as shown and described.

(22) Filed: **Dec. 31, 2016**

(51) **LOC (11) Cl.** **26-06**

(52) **U.S. Cl.**
USPC **D26/28**

DESCRIPTION

(58) **Field of Classification Search**
USPC D26/28-36; 362/80-83, 267-269,
362/459-468, 475-478, 485-487
CPC F21S 48/00; F21S 48/10; F21S 48/115;
F21S 48/1233; F21S 48/1266; F21S
48/1388; F21S 48/2268; F21V 21/04
See application file for complete search history.

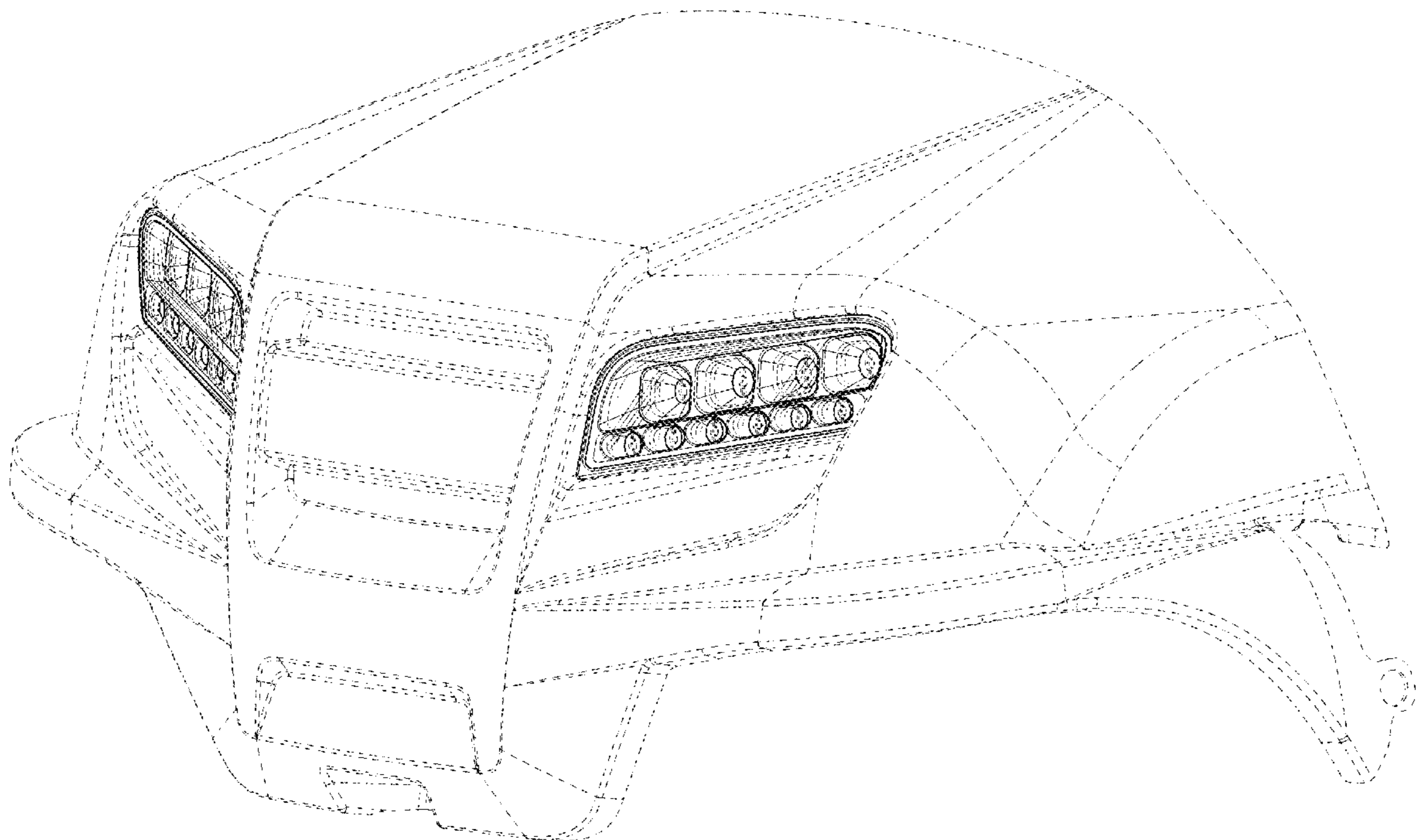
FIG. 1 is a front perspective view of a set of vehicle headlights of the present invention;
FIG. 2 is a side perspective view of a set of vehicle headlights;
FIG. 3 is a front view thereof;
FIG. 4 is a right side view thereof;
FIG. 5 is a left side view thereof; and,
FIG. 6 is a top view thereof.
The broken lines are for illustrative purposes only and form no part of the claimed design.

(56) **References Cited**

U.S. PATENT DOCUMENTS

D538,956 S * 3/2007 Ishii D26/28
D544,614 S * 6/2007 Markefka D26/28

1 Claim, 5 Drawing Sheets



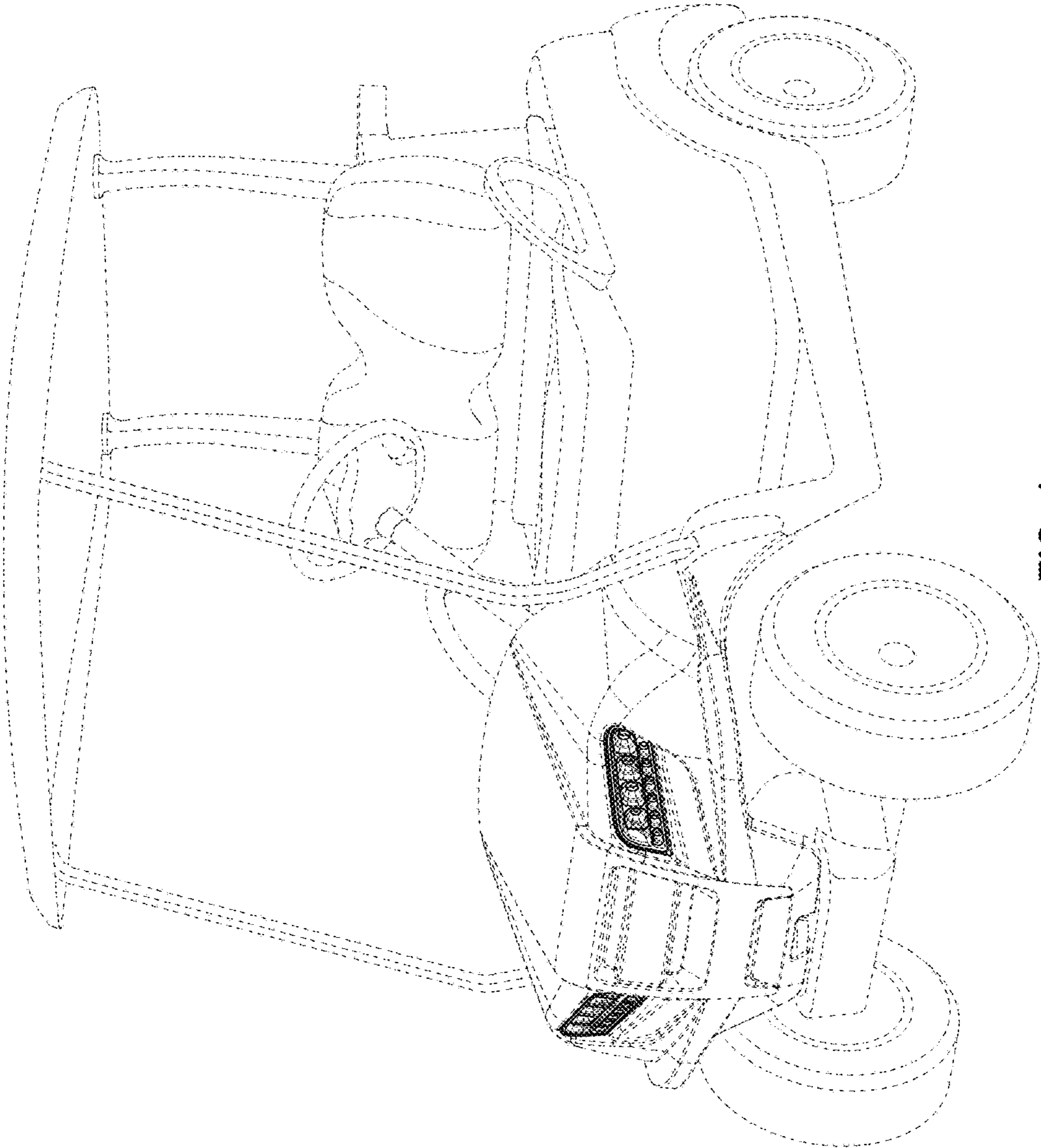


FIG. 1

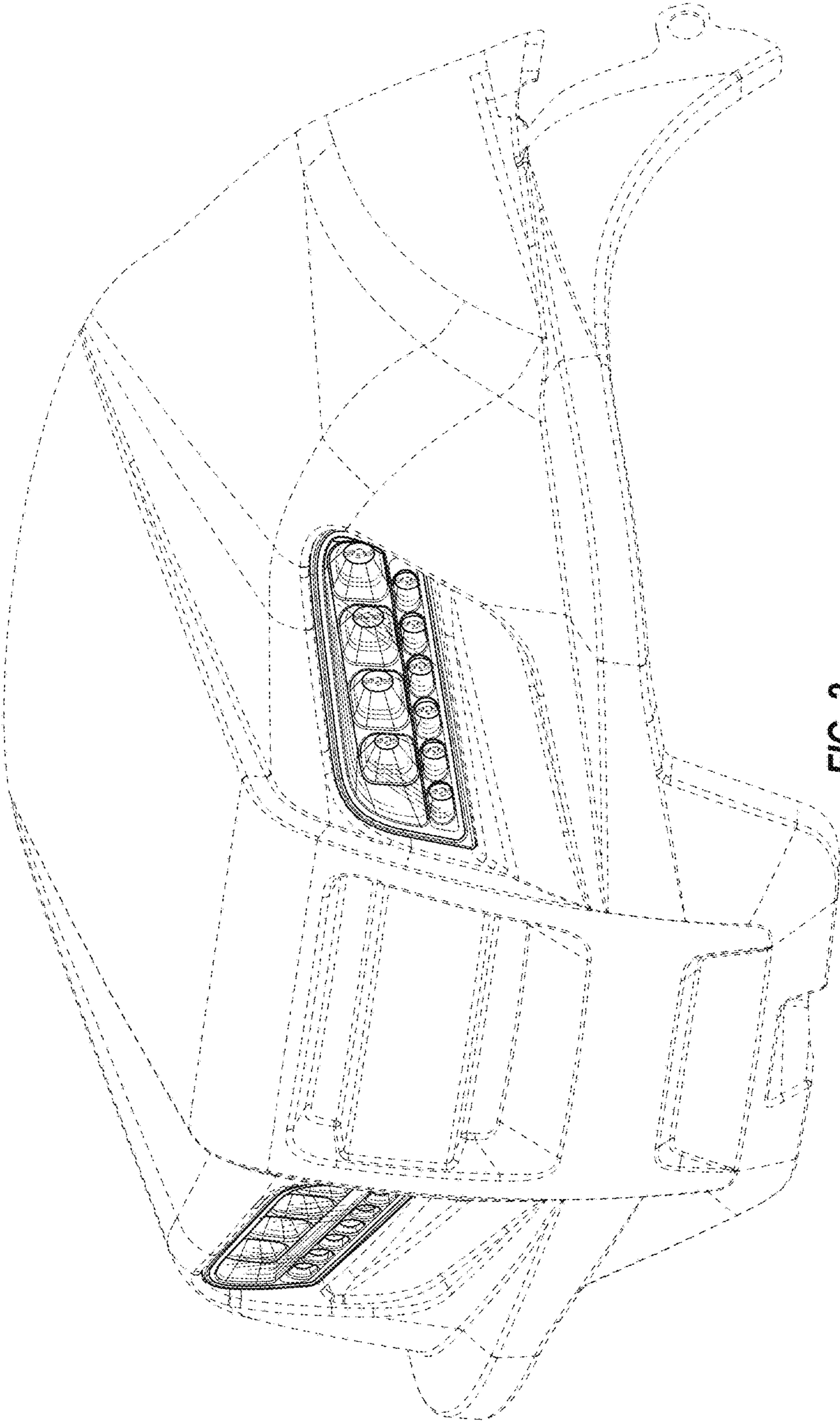


FIG. 2

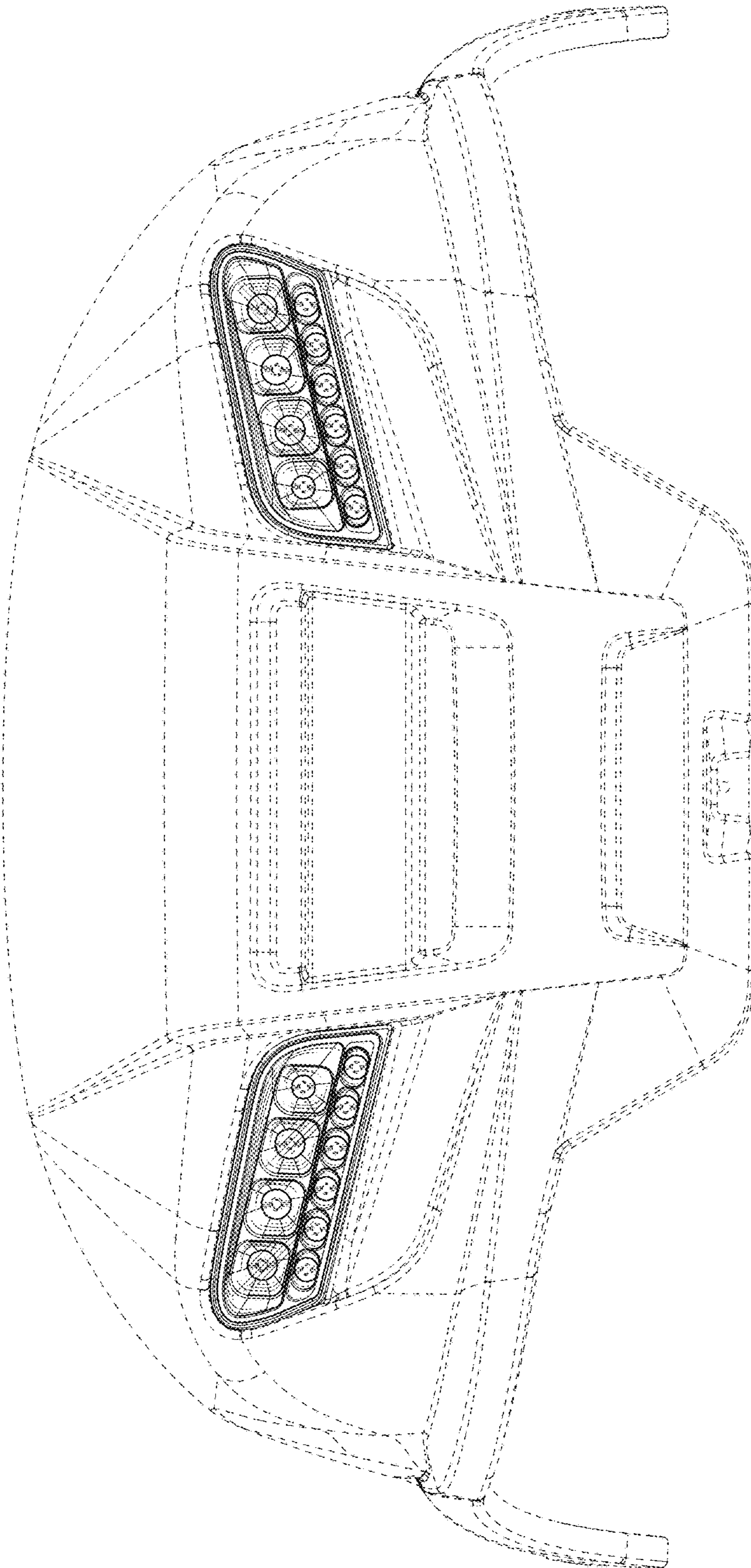


FIG. 3

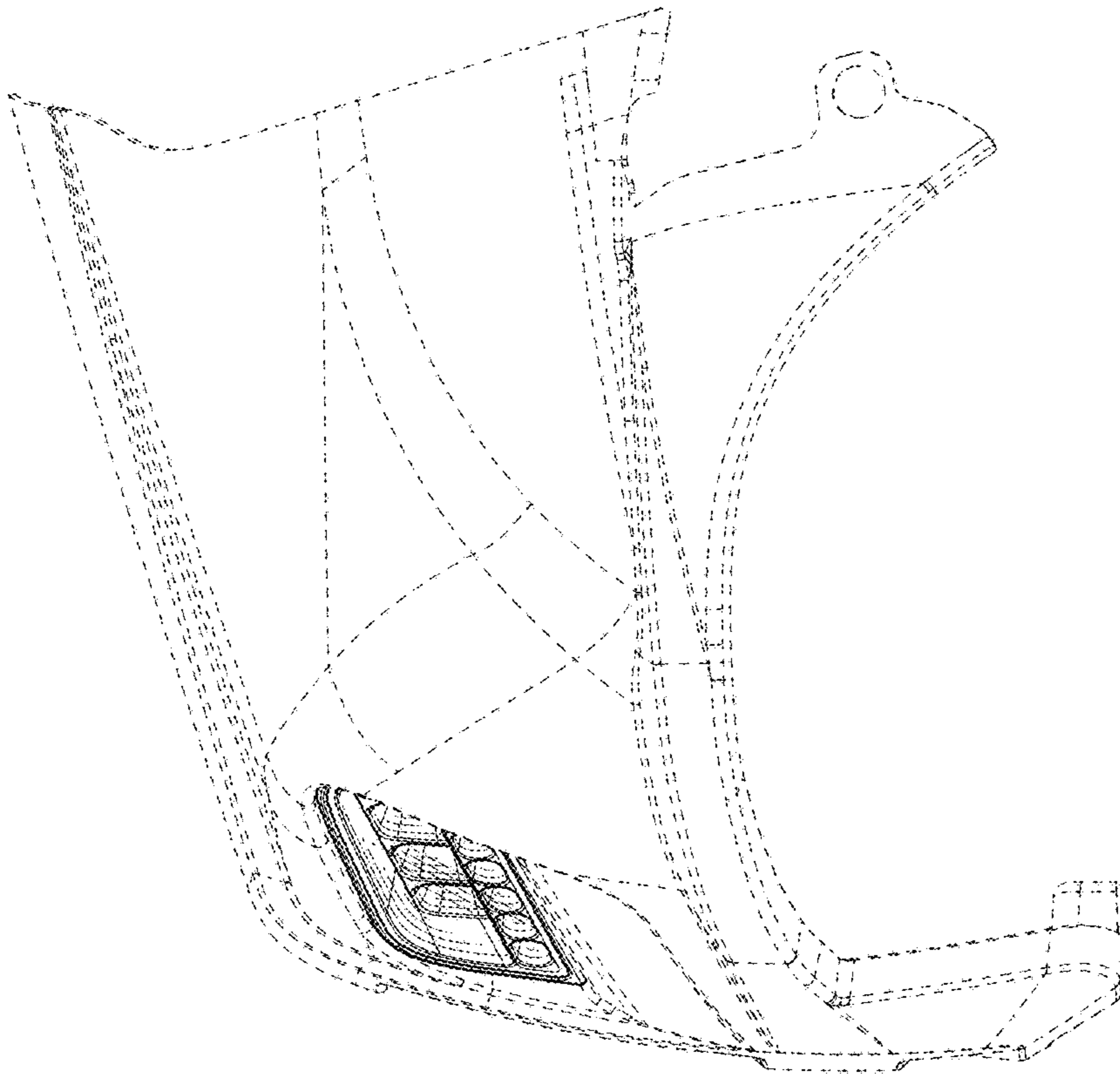


FIG. 5

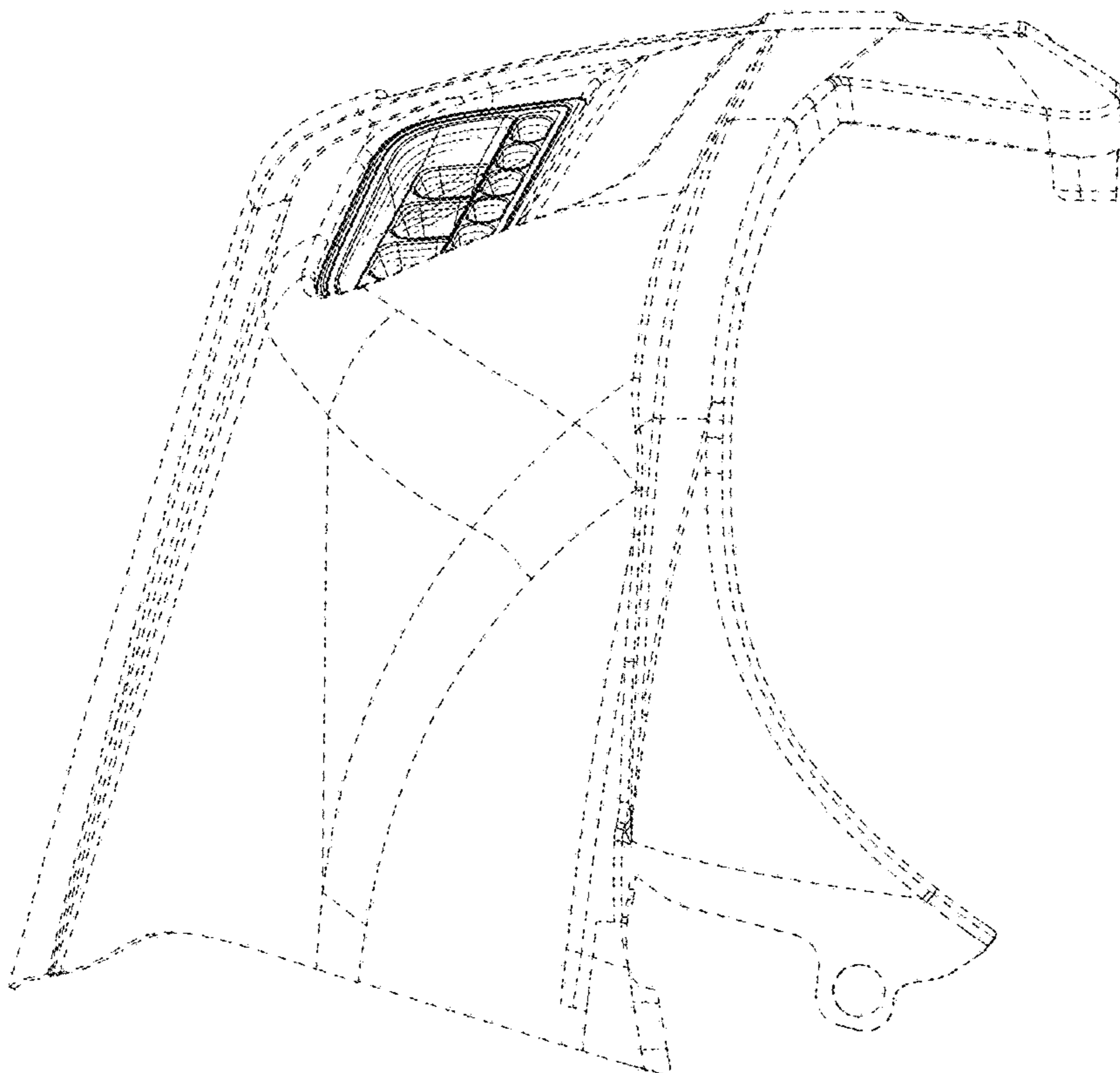


FIG. 4

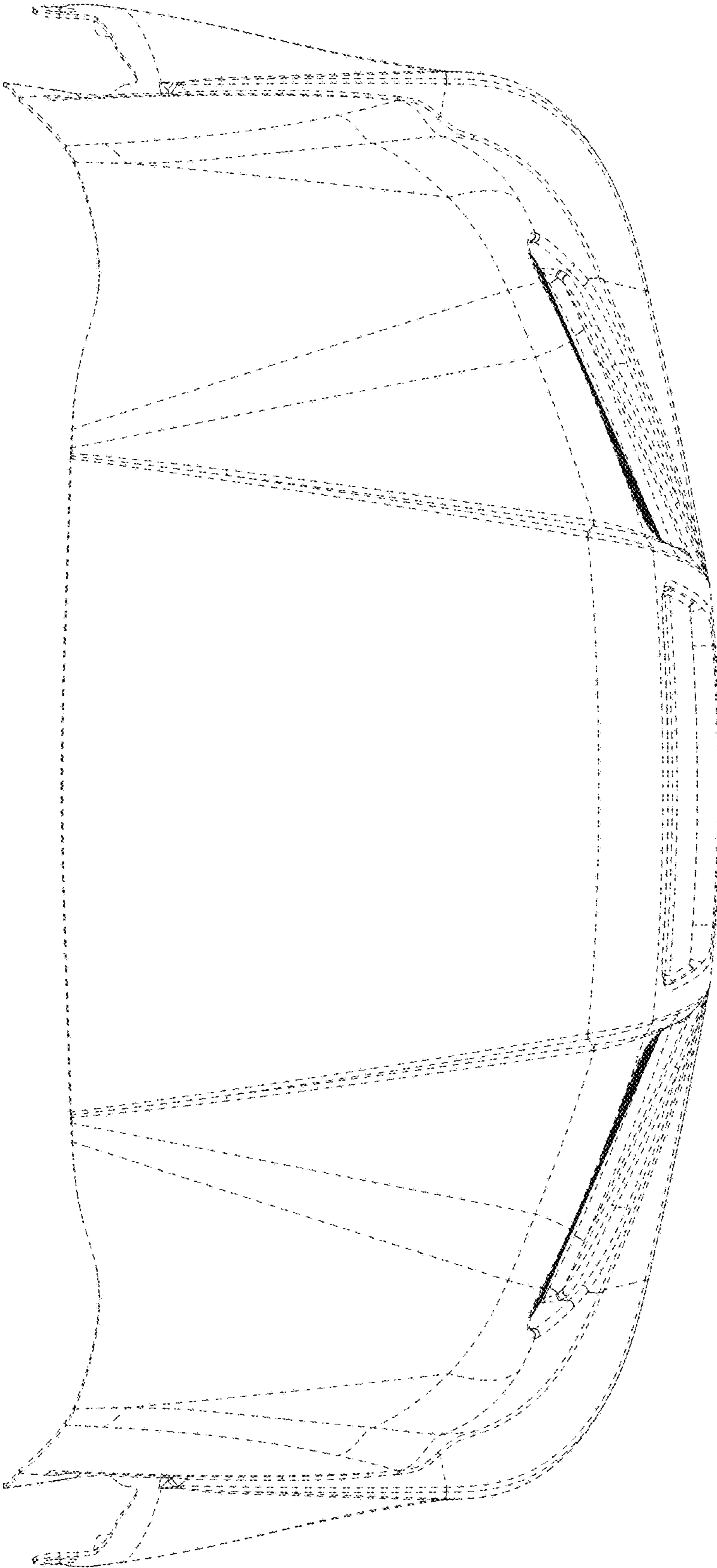


FIG. 6