



US00D812271S

(12) **United States Design Patent** (10) **Patent No.:** **US D812,271 S**
Katagiri et al. (45) **Date of Patent:** **** Mar. 6, 2018**

(54) **REAR COMBINATION LAMP FOR AN AUTOMOBILE**

D740,464 S * 10/2015 Park D26/28
D751,231 S * 3/2016 Beaven D26/28
D774,671 S * 12/2016 Lai D26/28

(71) Applicants: **Minami Katagiri**, Shizuoka (JP);
Shunsuke Sudo, Nagoya (JP)

OTHER PUBLICATIONS

(72) Inventors: **Minami Katagiri**, Shizuoka (JP);
Shunsuke Sudo, Nagoya (JP)

Toyota, Lexus LC500 (2017), NetCarShow, <https://www.netcarshow.com/lexus/2017-lc_500/>, available at least as early as Jan. 28, 2016.

(73) Assignee: **TOYOTA JIDOSHA KABUSHIKI KAISHA** (JP)

BMW, BMW 730d (2016), NetCarShow, <<http://www.netcarshow.com/bmw/2016-730d/>>, available at least as early as Jan. 28, 2016.
Aston Martin, Aston Martin Lagonda (2016), NetCarShow, <http://www.netcarshow.com/aston_martin/2016-lagonda/>, available at least as early as Jan. 28, 2016.

(**) Term: **15 Years**

* cited by examiner

(21) Appl. No.: **29/587,192**

Primary Examiner — Marcus Jackson

(22) Filed: **Dec. 12, 2016**

(74) *Attorney, Agent, or Firm* — Saidman DesignLaw Group, LLC

(30) **Foreign Application Priority Data**

Jun. 14, 2016 (JP) 2016-012661

(51) **LOC (11) Cl.** **26-06**

(52) **U.S. Cl.**
USPC **D26/28**

(58) **Field of Classification Search**
USPC D26/28-36; 362/80-83, 267-269,
362/459-468, 475-478, 485-487
CPC F21S 48/00; F21S 48/10; F21S 48/115;
F21S 48/1233; F21S 48/1266; F21S
48/1388; F21S 48/2268; F21V 21/04
See application file for complete search history.

(57) **CLAIM**

The ornamental design for a rear combination lamp for an automobile, as shown and described.

(56) **References Cited**

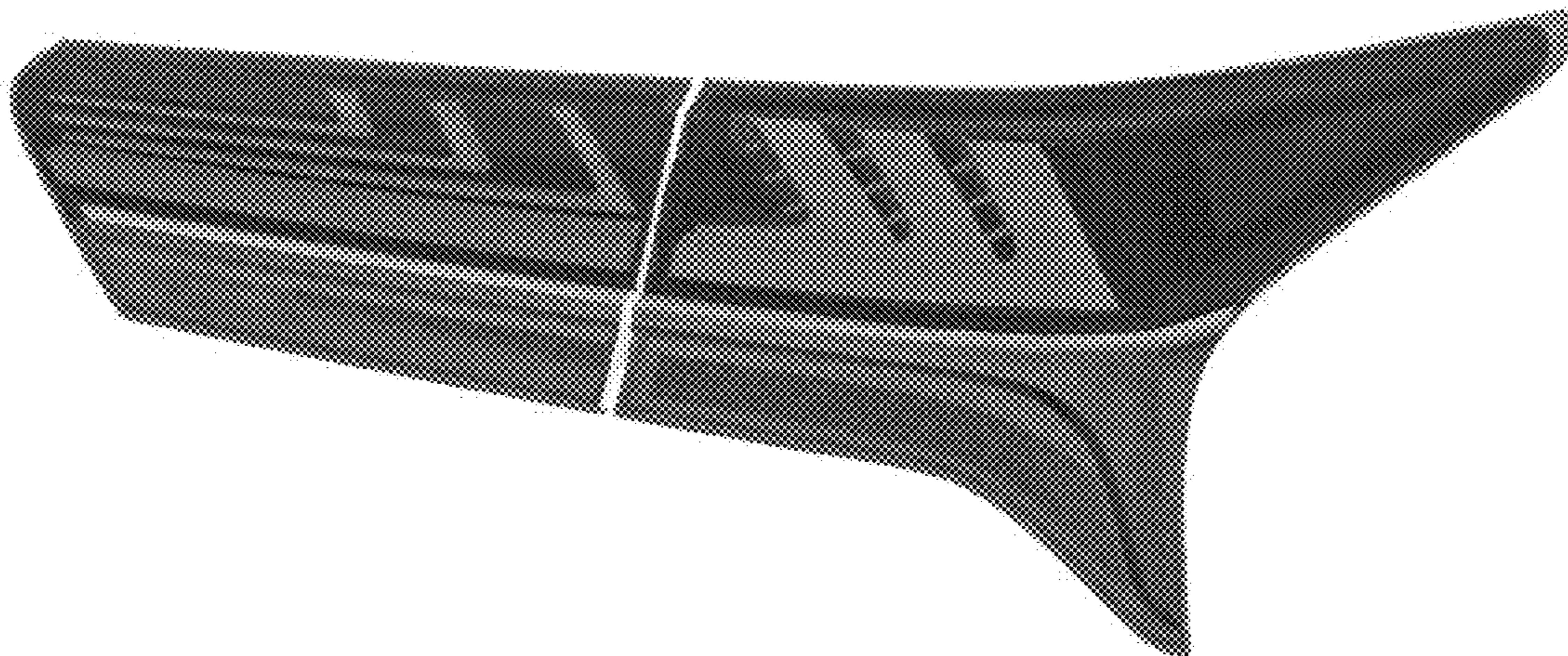
U.S. PATENT DOCUMENTS

D622,426 S * 8/2010 Song D26/28
D635,283 S * 3/2011 Kim D26/28
D638,962 S * 5/2011 Froehlich D26/28
D691,299 S * 10/2013 Binder D26/28

DESCRIPTION

FIG. 1 is a perspective view of a rear combination lamp for an automobile showing our new design;
FIG. 2 is a front view thereof;
FIG. 3 is a rear view thereof;
FIG. 4 is a top view thereof;
FIG. 5 is a bottom view thereof;
FIG. 6 is a right side view thereof; and,
FIG. 7 is a left side view thereof.
The claimed design is indicated by the relatively dark portions in the figures. The relatively light portions form no part of the claimed design.

1 Claim, 7 Drawing Sheets



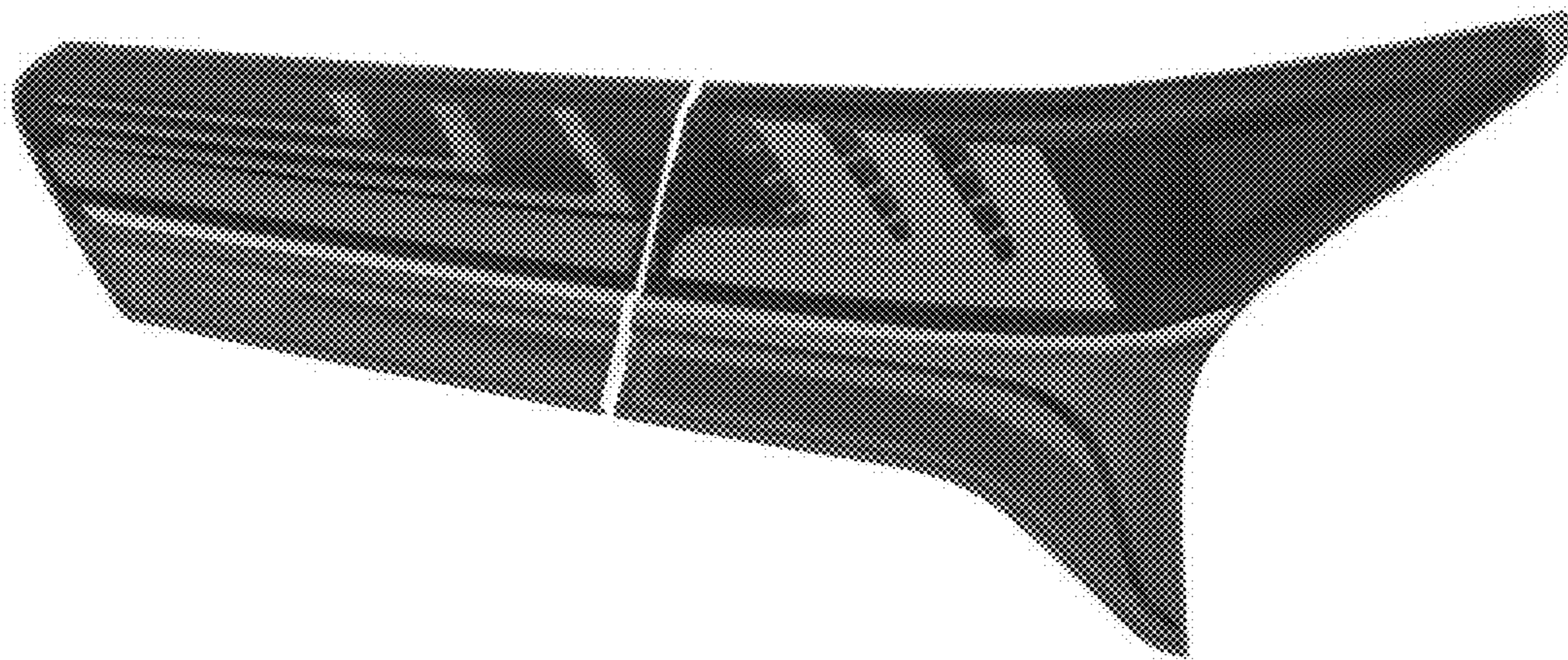


FIG. 1

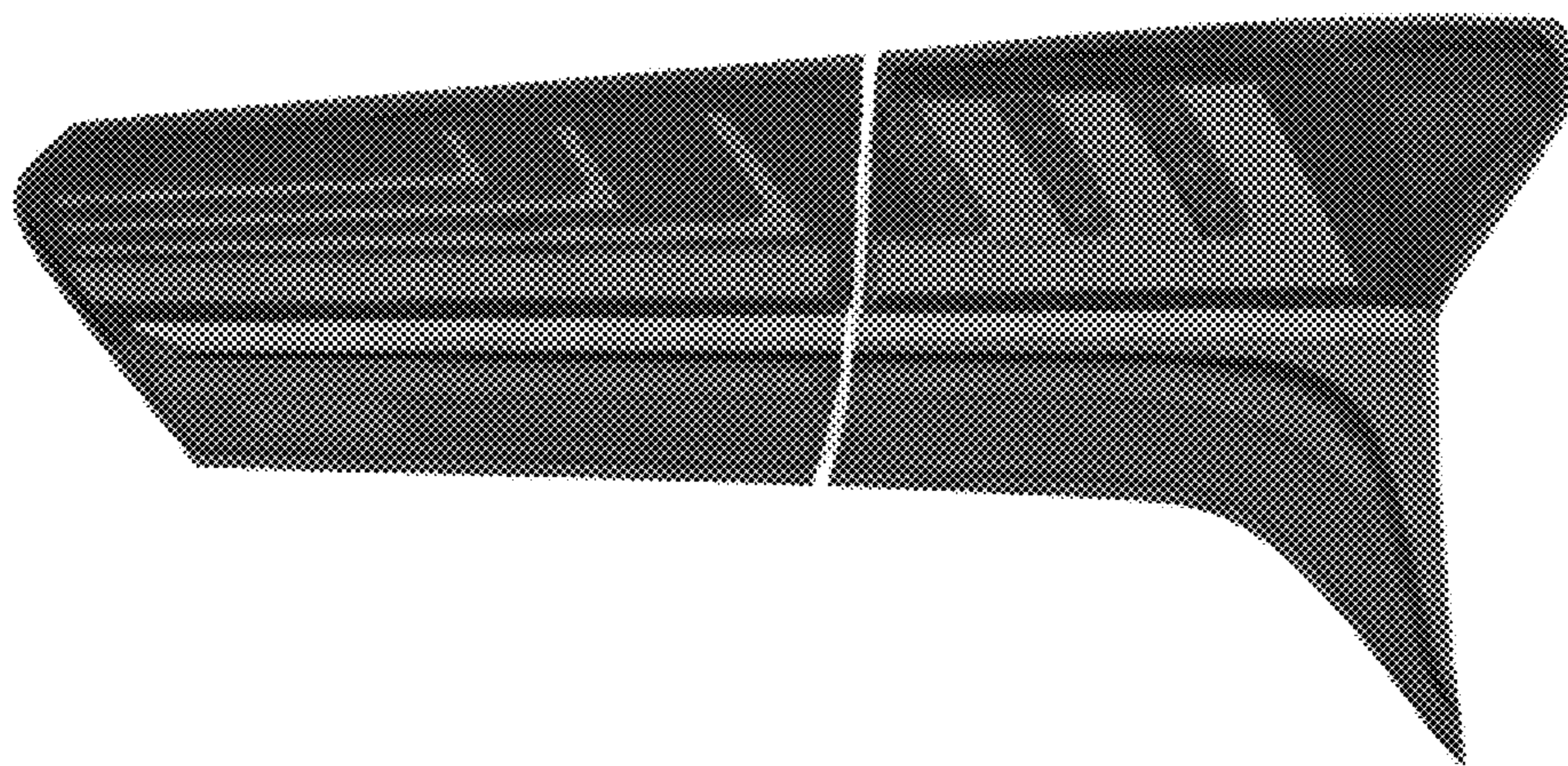


FIG. 2

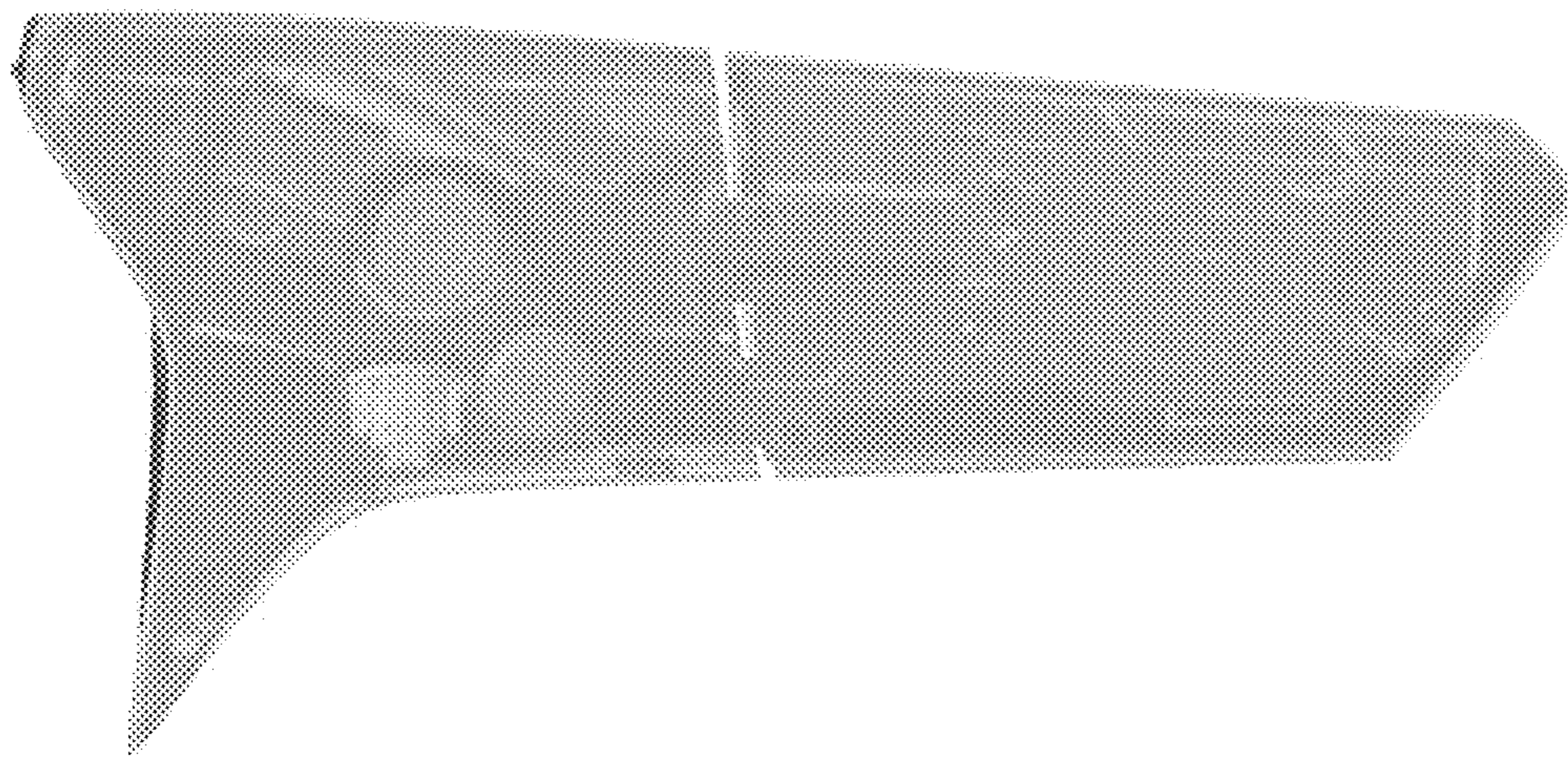


FIG. 3

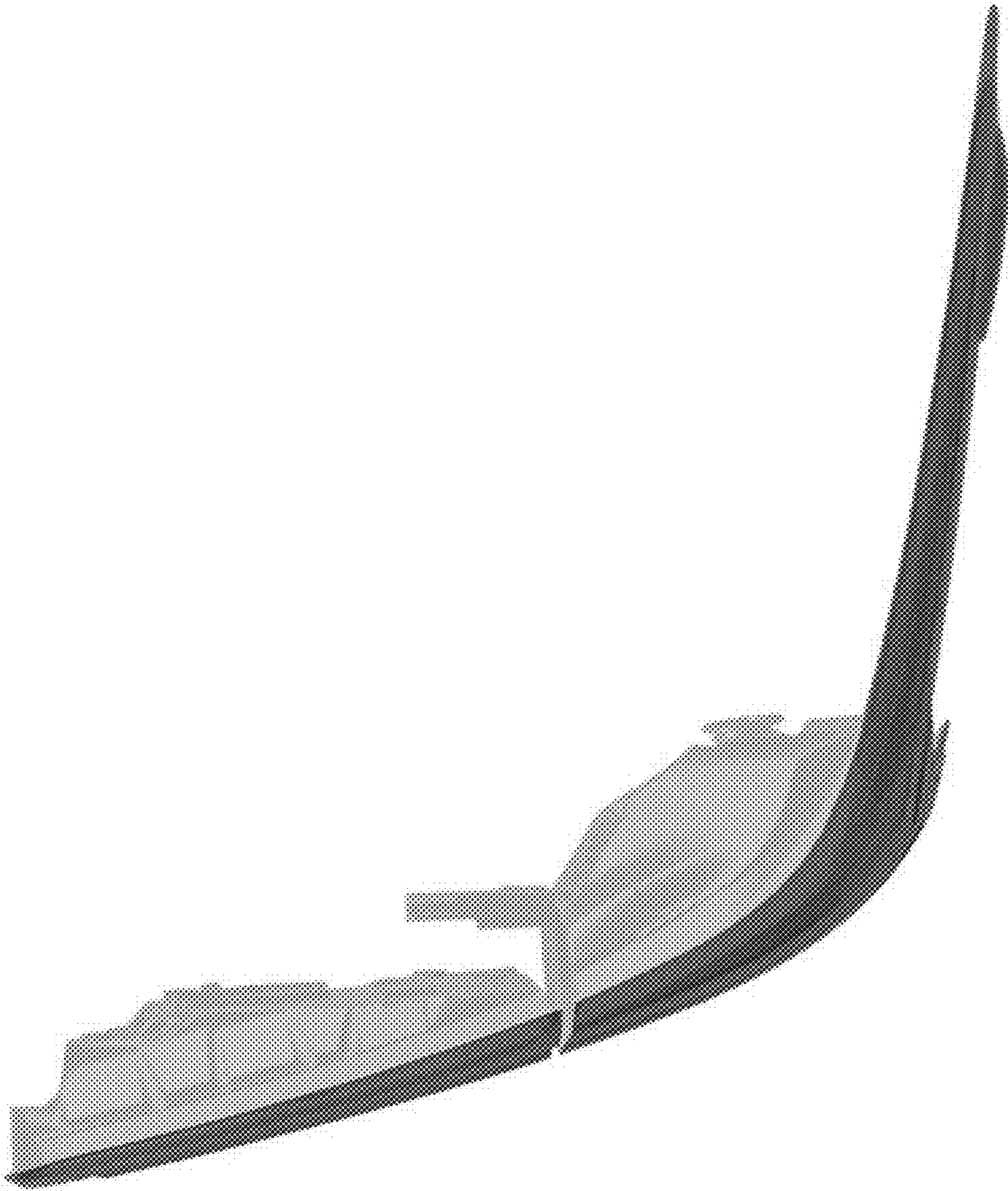


FIG. 4

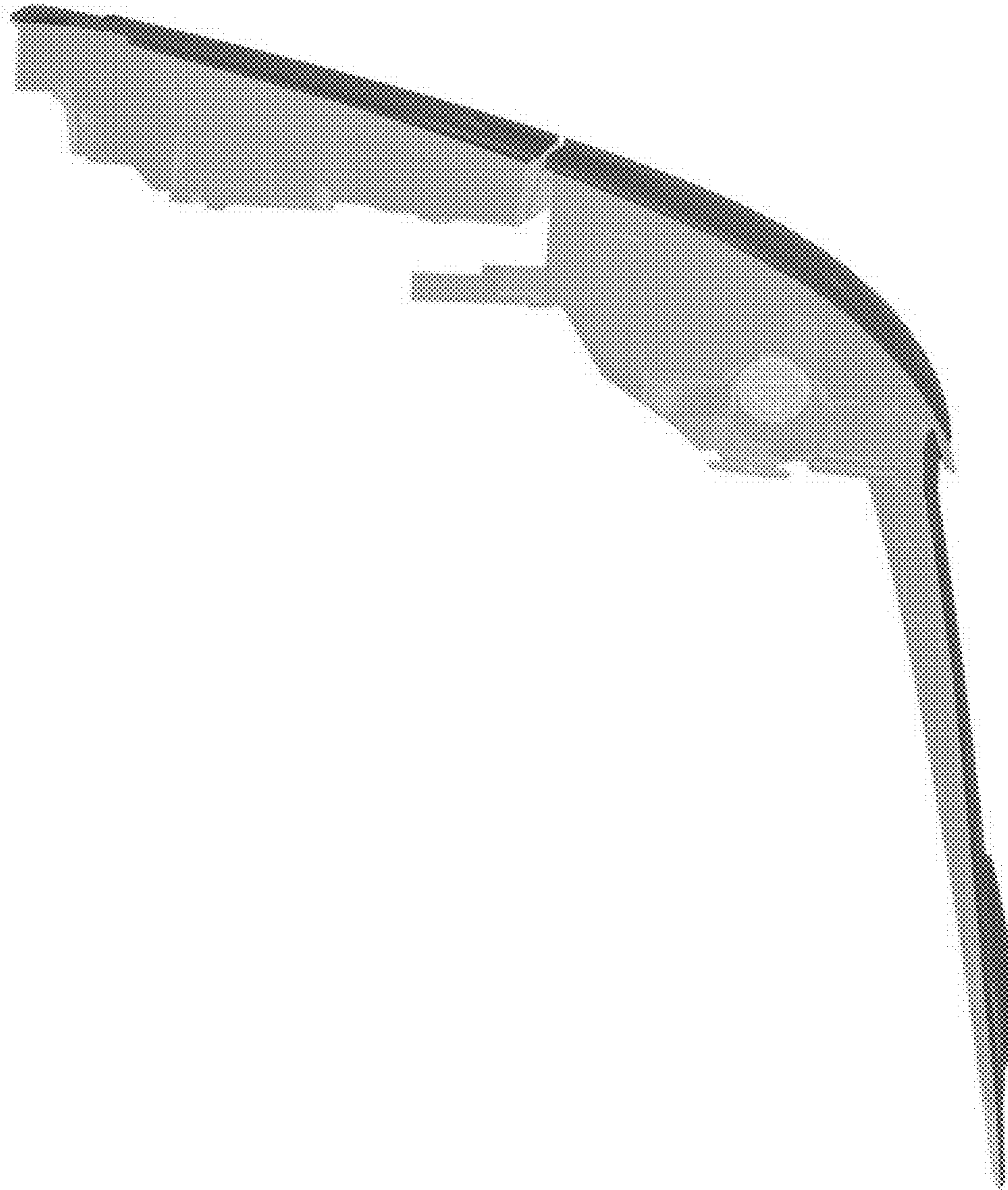


FIG. 5

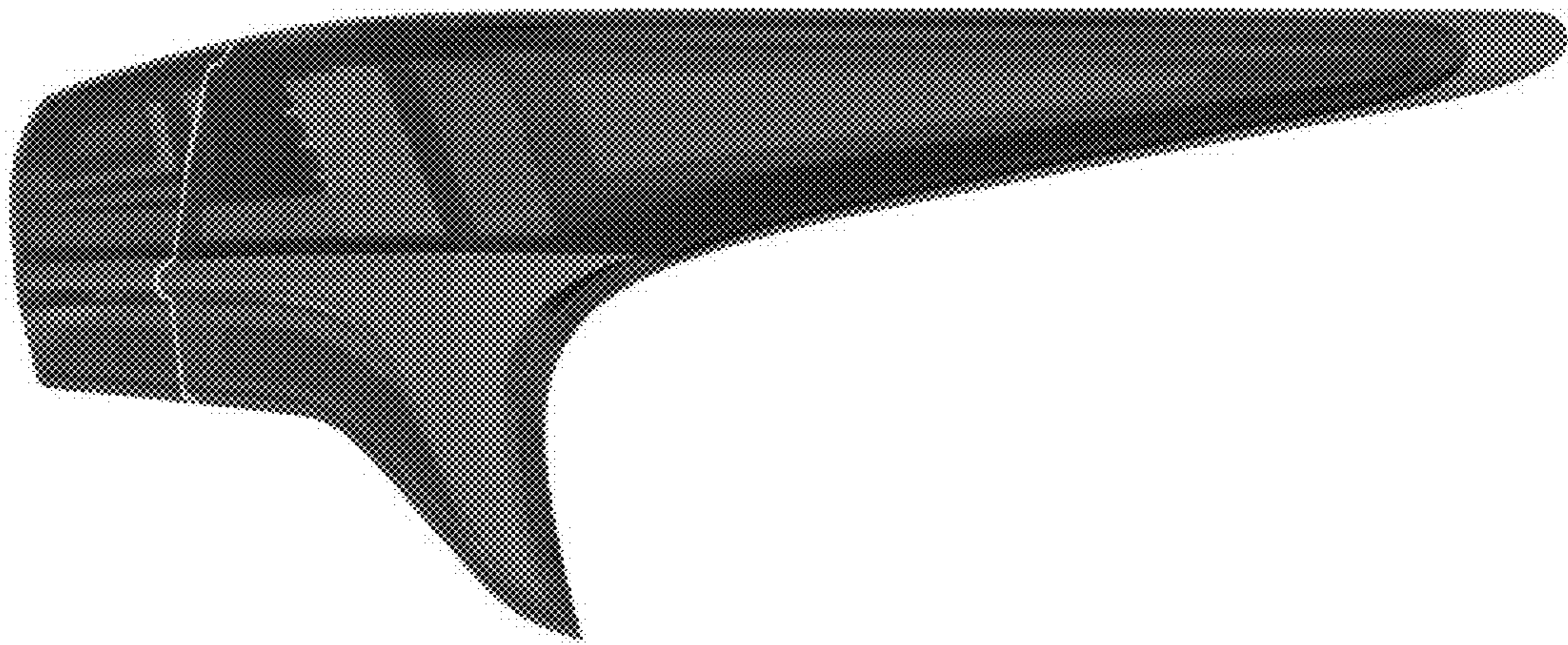


FIG. 6

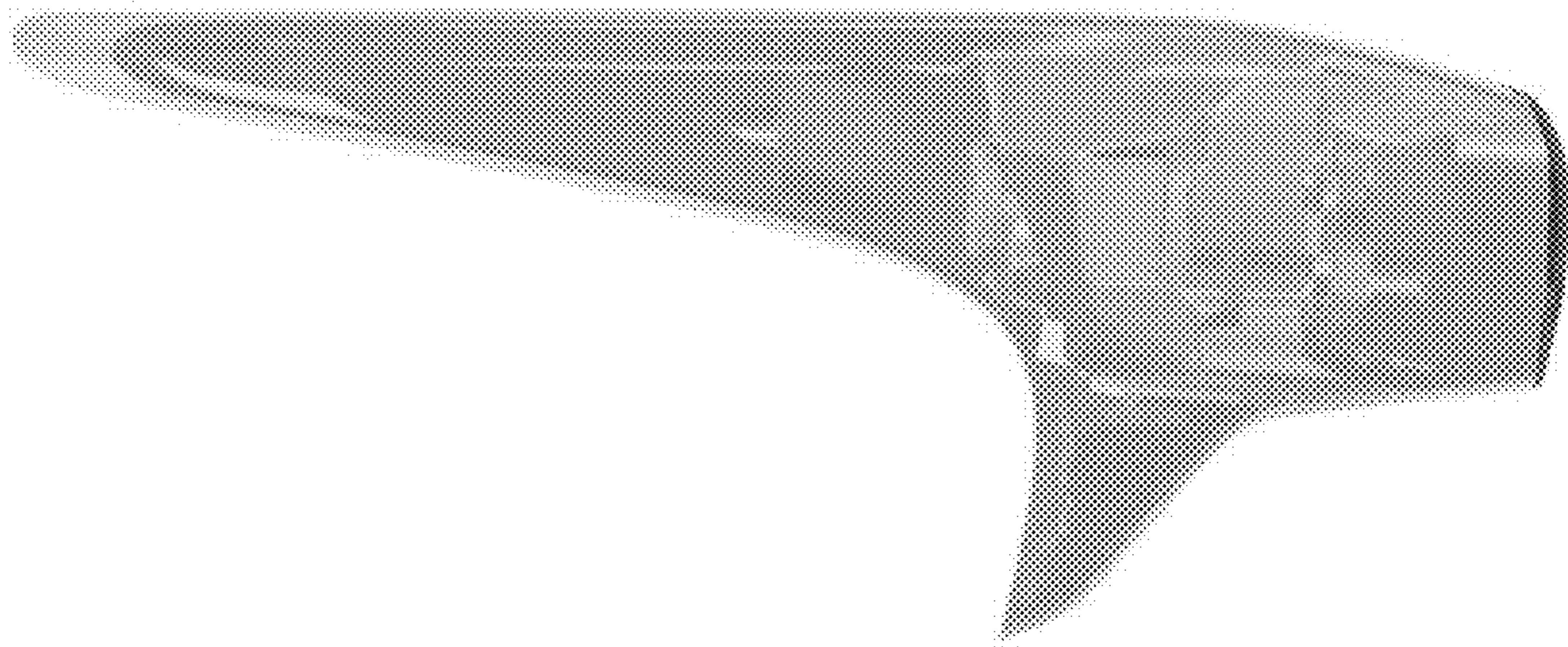


FIG. 7