



US00D812270S

(12) **United States Design Patent**
Minamiyama

(10) **Patent No.:** **US D812,270 S**
(45) **Date of Patent:** **** Mar. 6, 2018**

(54) **REAR COMBINATION LAMP FOR AN AUTOMOBILE**

(71) Applicant: **Nissan Motor Co., Ltd.**, Yokohama, Kanagawa (JP)

(72) Inventor: **Shin Minamiyama**, Kanagawa (JP)

(73) Assignee: **Nissan Motor Co., Ltd.**, Yokohama (JP)

(**) Term: **15 Years**

(21) Appl. No.: **29/586,674**

(22) Filed: **Dec. 6, 2016**

(30) **Foreign Application Priority Data**

Jun. 10, 2016 (JP) 2016-012437

(51) **LOC (11) Cl.** **26-06**

(52) **U.S. Cl.**
USPC **D26/28**

(58) **Field of Classification Search**

USPC D26/28-36; 362/80-83, 267-269, 362/459-468, 475-478, 485-487

CPC F21S 48/00; F21S 48/10; F21S 48/115; F21S 48/1233; F21S 48/1266; F21S 48/1388; F21S 48/2268; F21V 21/04

See application file for complete search history.

(56) **References Cited**

U.S. PATENT DOCUMENTS

D302,595 S * 8/1989 Spada D26/28
D321,944 S * 11/1991 Malmgren D26/28
D412,587 S * 8/1999 Bangle D26/28

(Continued)

FOREIGN PATENT DOCUMENTS

JP D1268251 S 4/2006
JP D1268583 S 4/2006

(Continued)

Primary Examiner — Marcus Jackson

(74) *Attorney, Agent, or Firm* — Global IP Counselors, LLP

(57) **CLAIM**

The ornamental design for a rear combination lamp for an automobile, as shown and described.

DESCRIPTION

FIG. 1 is a front elevational view of a rear combination lamp for an automobile in accordance with a first embodiment of our new design;

FIG. 2 is a rear elevational view thereof;

FIG. 3 is a top plan view thereof;

FIG. 4 is a bottom plan view thereof;

FIG. 5 is a right side elevational view thereof;

FIG. 6 is a left side elevational view thereof; and,

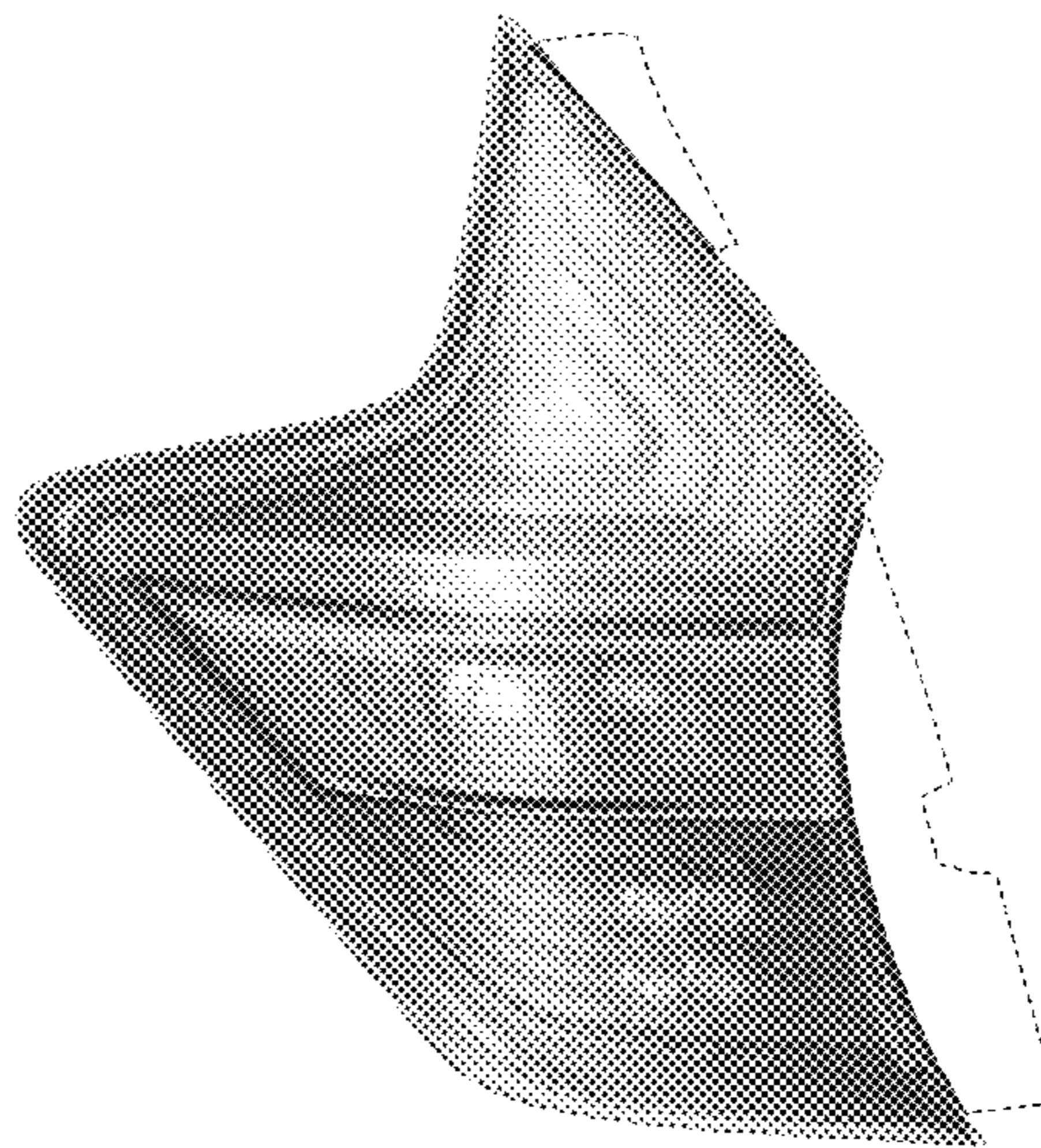
FIG. 7 is a front side perspective view thereof.

The rear combination lamp is configured to be mounted to an automobile. The mounting structure and support structure of the rear combination lamp, shown in broken lines in FIGS. 1 to 7, form no part of the claimed design since the mounting structure and support structure are hidden when the rear combination lamp is mounted to the automobile.

In addition, the appearance of the rear side structures of the rear combination lamp as shown in broken lines in FIGS. 2 to 6 is for purpose of illustrating the boundaries of the exterior surface of the rear combination lamp, and forms no part of the claimed design. The rear combination lamp has a front lens that is transparent such that features behind the lens are at least partially visible as illustrated.

A second embodiment of our new design is identical to the first embodiment. The second embodiment of our new design includes the mirror image of the rear combination lamp shown in FIGS. 1 to 7.

1 Claim, 7 Drawing Sheets



(56)

References Cited

U.S. PATENT DOCUMENTS

D518,200 S * 3/2006 Honda D26/28
D520,153 S * 5/2006 Otto D26/28
D541,444 S * 4/2007 Lamarre D26/28

FOREIGN PATENT DOCUMENTS

JP D1302839 S 6/2007
JP D1378734 S 2/2010
JP D1381775 S 3/2010
JP D1382068 S 3/2010
JP D1419117 S 7/2011
JP D1432517 S 1/2012
JP D1444547 S 6/2012
JP D1445536 S 7/2012
JP D1449774 S 8/2014
JP D1513543 S 12/2014
JP D1519225 S 3/2015

* cited by examiner

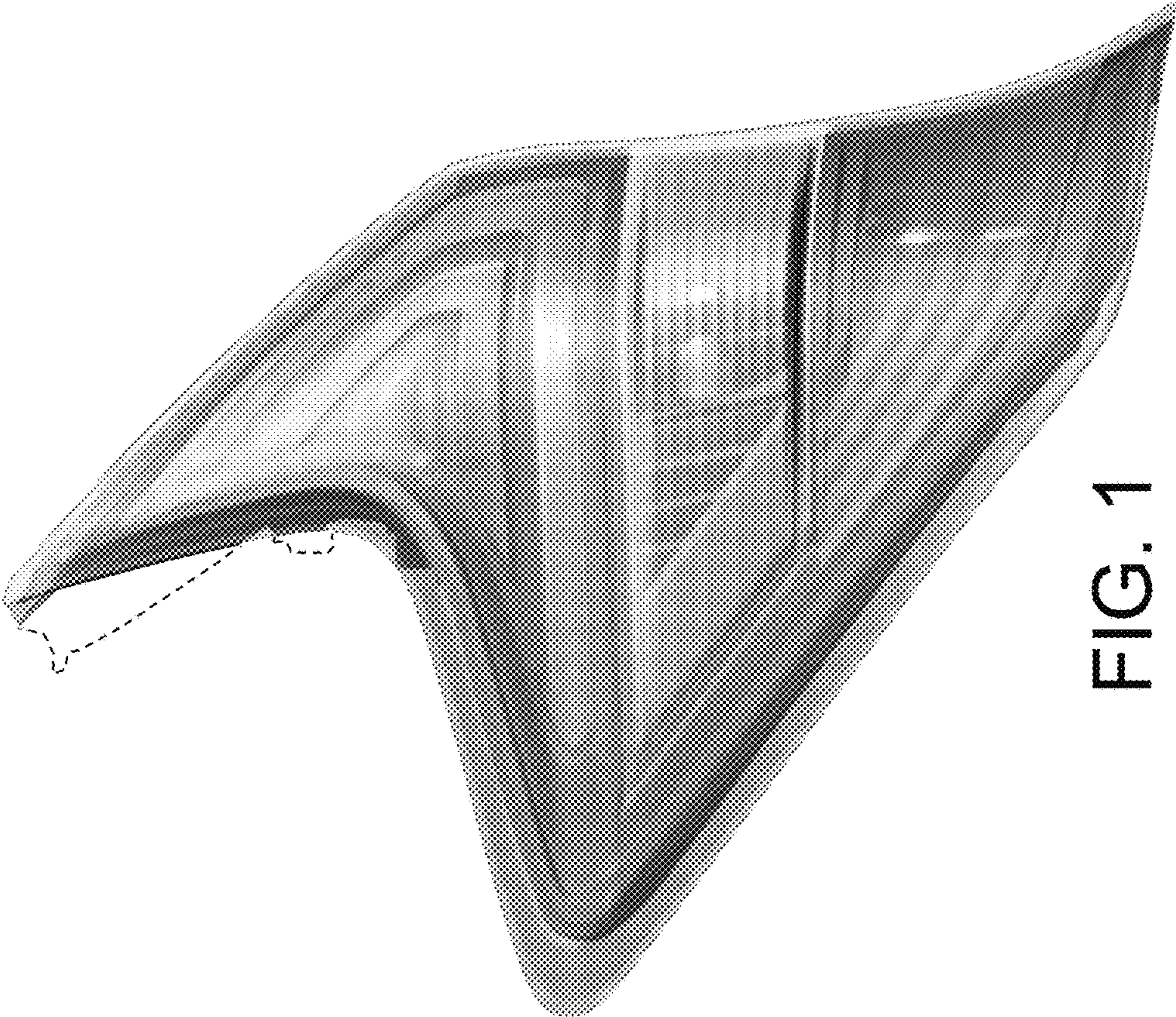


FIG. 1

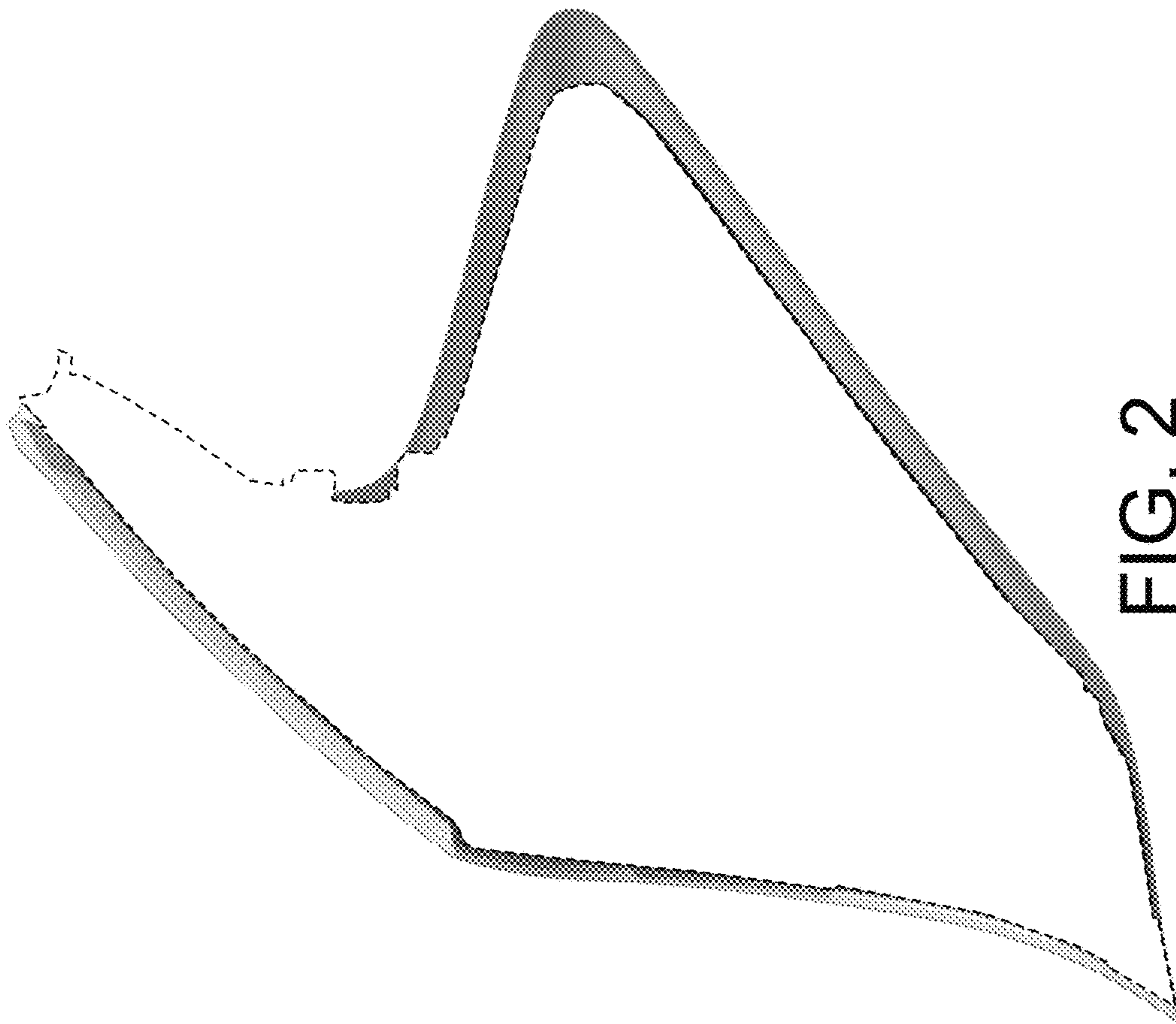


FIG. 2

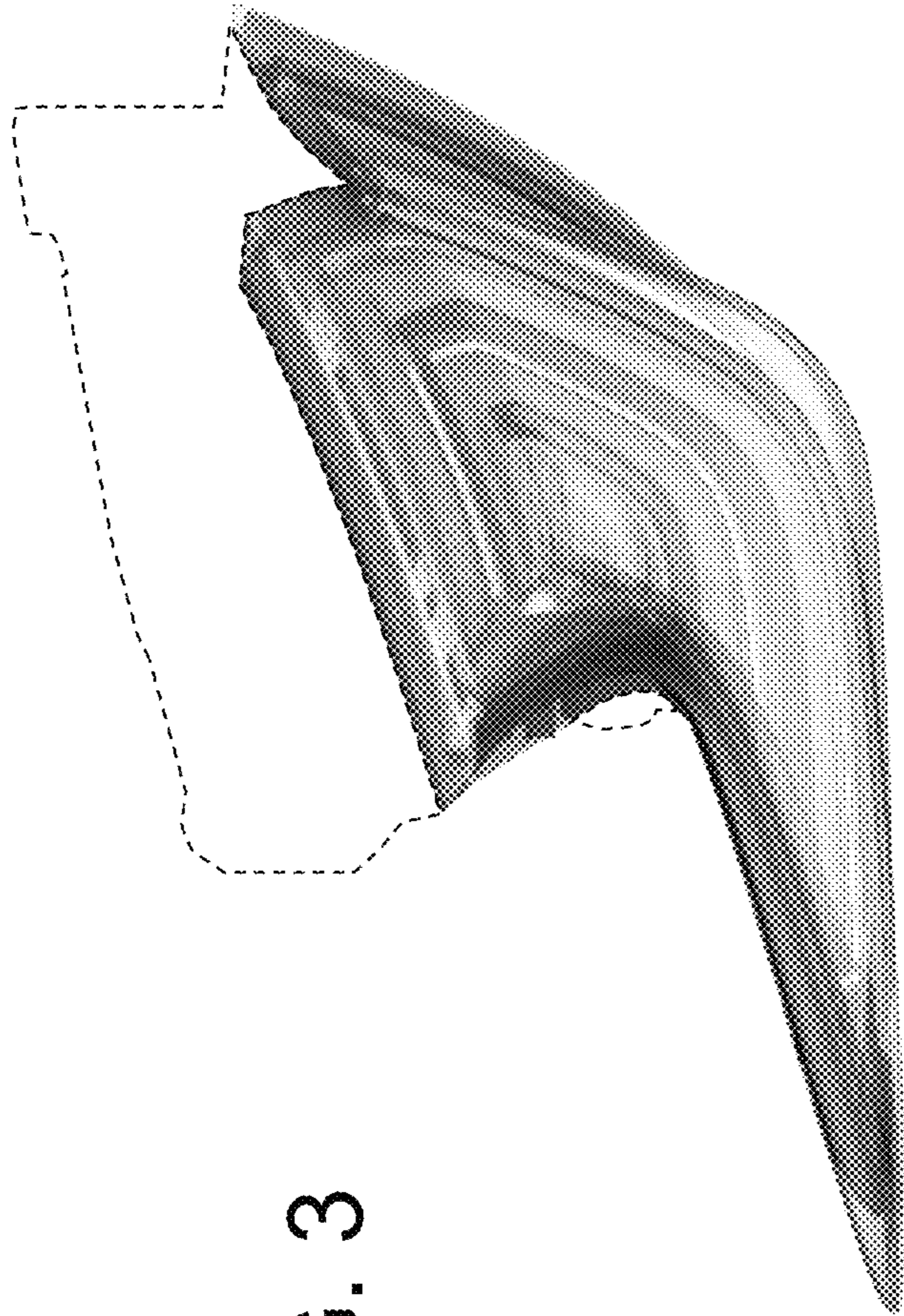


FIG. 3

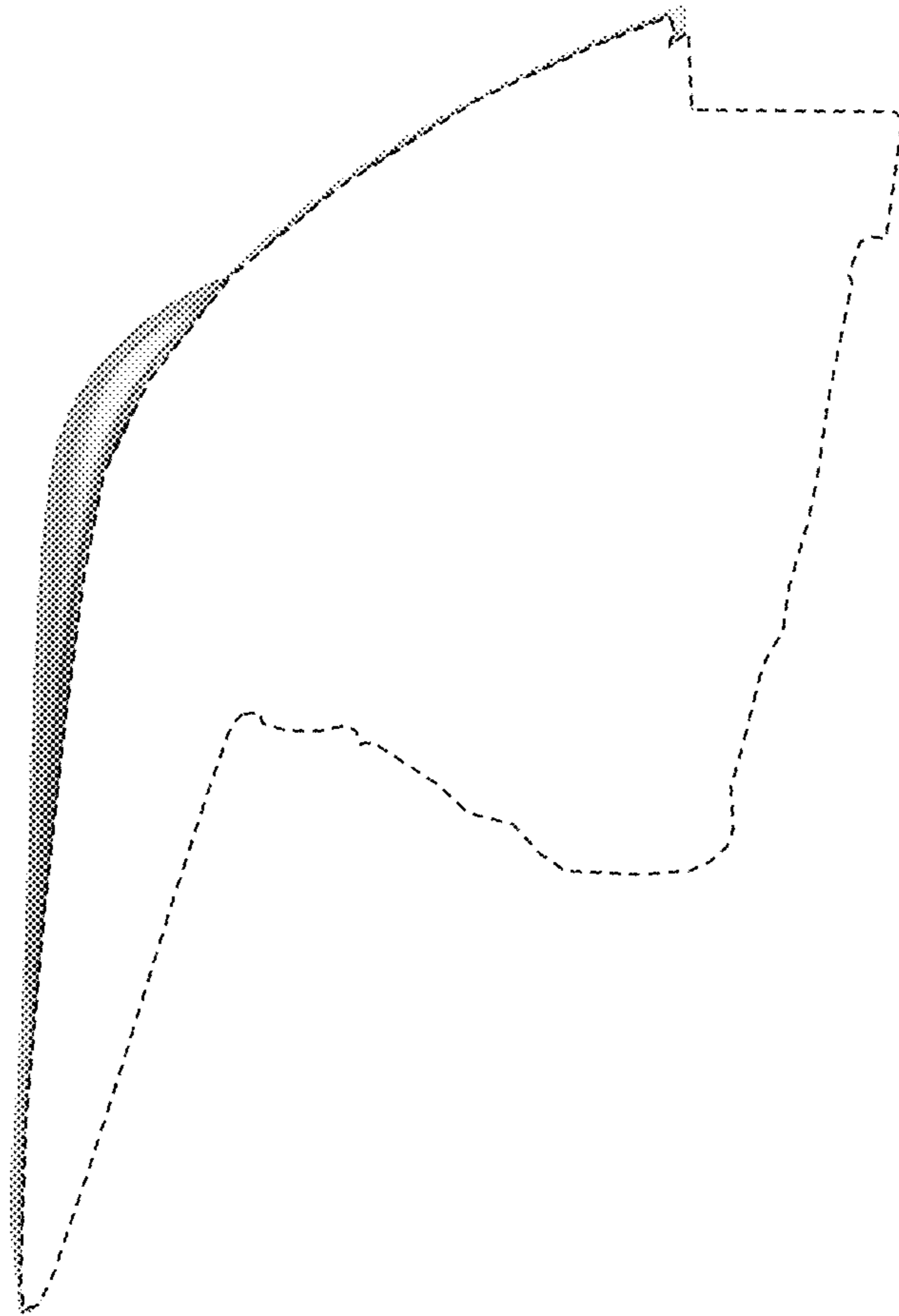


FIG. 4

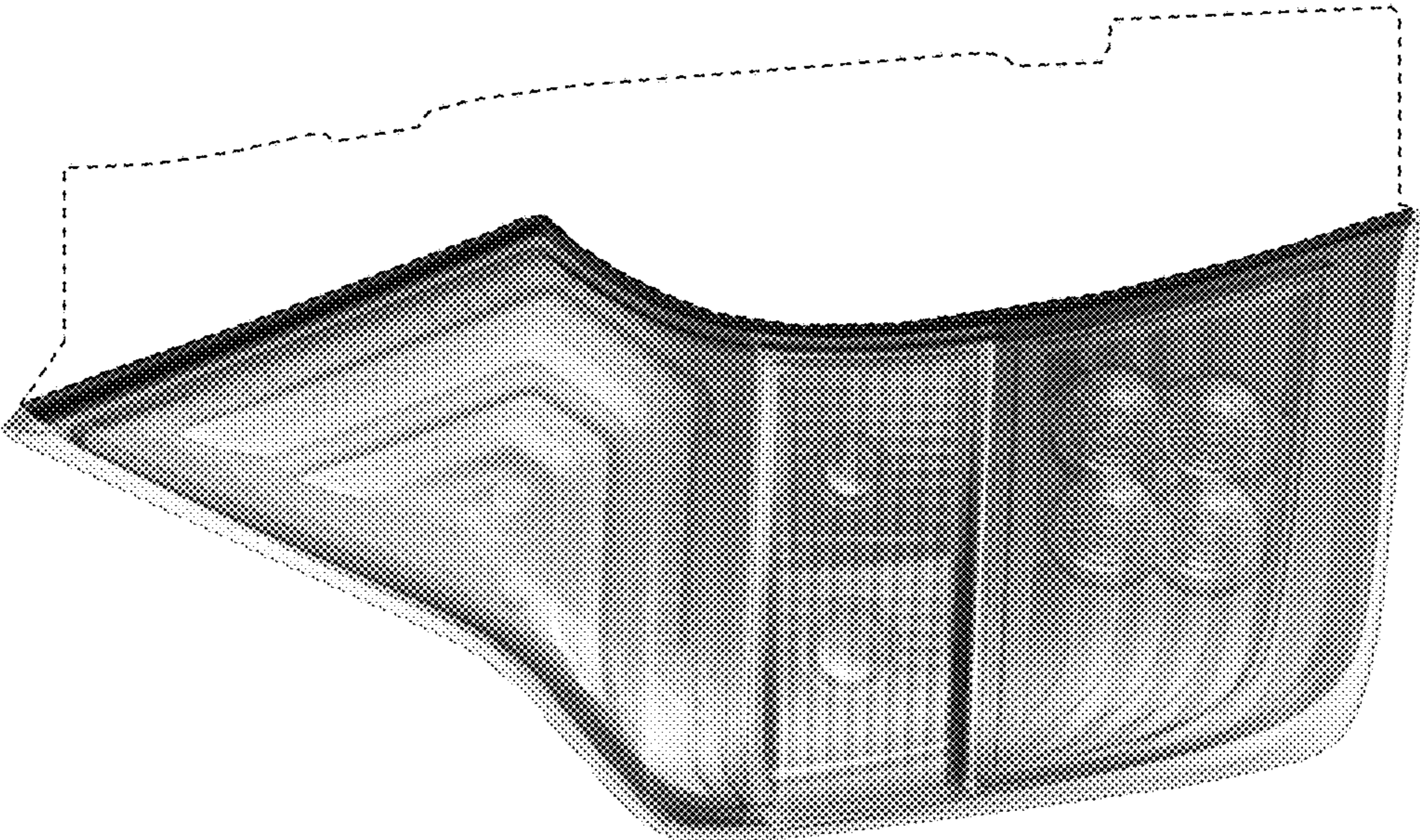


FIG. 5

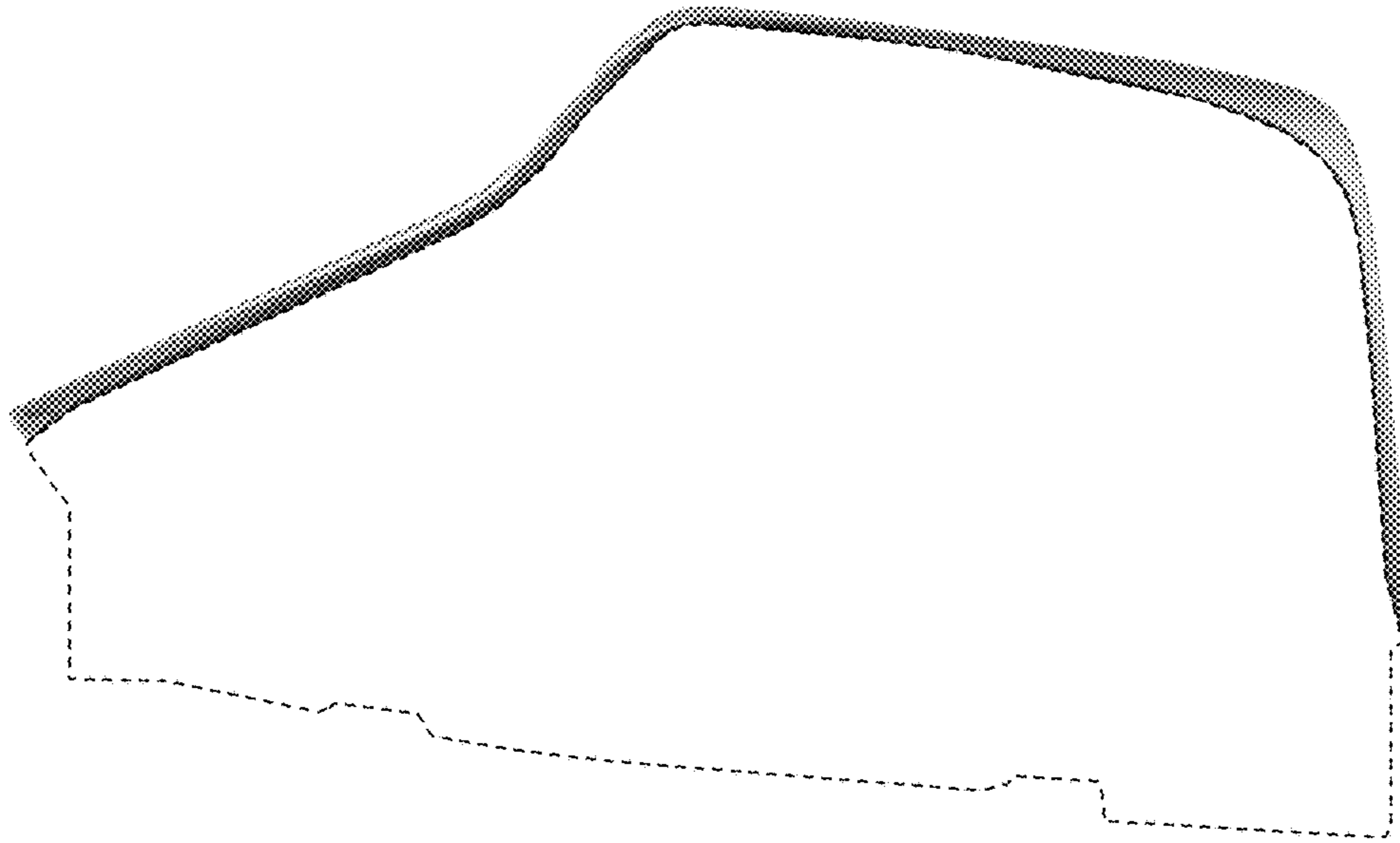


FIG. 6

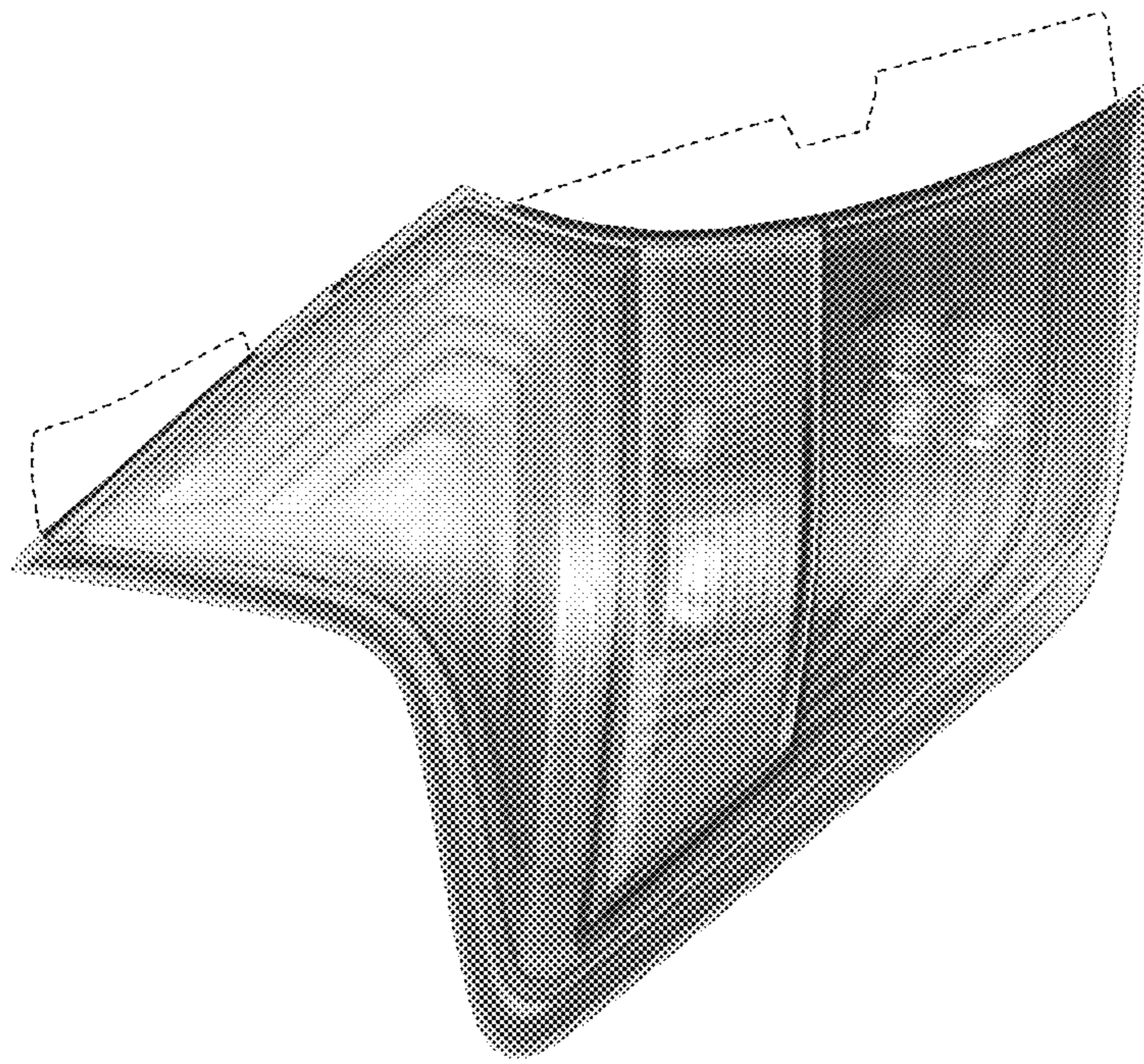


FIG. 7