



US00D812266S

(12) **United States Design Patent**  
**Keskin**

(10) **Patent No.:** **US D812,266 S**

(45) **Date of Patent:** **\*\* Mar. 6, 2018**

(54) **VEHICLE TAIL LIGHT**

(71) Applicant: **Volvo Car Corporation**, Gothenburg (SE)

(72) Inventor: **Berk Keskin**, Gothenburg (SE)

(73) Assignee: **Volvo Car Corporation**, Gothenburg (SE)

(\*\*) Term: **15 Years**

(21) Appl. No.: **29/583,126**

(22) Filed: **Nov. 2, 2016**

(30) **Foreign Application Priority Data**

May 3, 2016 (EM) ..... 003107887-0002

(51) **LOC (11) Cl.** ..... **26-06**

(52) **U.S. Cl.**  
USPC ..... **D26/28**

(58) **Field of Classification Search**  
USPC ..... D26/28-36; 362/80-83, 267-269,  
362/459-468, 475-478, 485-487  
CPC ..... F21S 48/00; F21S 48/10; F21S 48/115;  
F21S 48/225; F21S 48/1233; F21S  
48/1266; F21S 48/1388; F21S 48/2268;  
F21V 21/04

See application file for complete search history.

(56) **References Cited**

**U.S. PATENT DOCUMENTS**

D520,153 S \* 5/2006 Otto ..... D26/28  
D632,812 S \* 2/2011 Matsumoto ..... D26/28

D746,493 S \* 12/2015 Watanuki ..... D26/28  
D751,736 S \* 3/2016 Gunnarson ..... D26/28  
D770,654 S \* 11/2016 Ingenlath ..... D26/28  
D774,225 S \* 12/2016 Lida ..... D26/28  
D777,955 S \* 1/2017 Willett ..... D26/28

\* cited by examiner

*Primary Examiner* — Marcus Jackson

(74) *Attorney, Agent, or Firm* — Snyder, Clark, Lesch & Chung, LLP

(57) **CLAIM**

The ornamental design of a vehicle tail light, as shown in the figures and described.

**DESCRIPTION**

FIG. 1 is a rear view of a vehicle tail light illustrating the design of the present invention;  
FIG. 2 is a left-side view of the vehicle tail light of FIG. 1;  
FIG. 3 is a front perspective view of the vehicle tail light of FIG. 1;  
FIG. 4 is a front view of the vehicle tail light of FIG. 1;  
FIG. 5 is a right-side view of the vehicle tail light of FIG. 1;  
FIG. 6 is a top view of the vehicle tail light of FIG. 1; and  
FIG. 7 is a bottom view of the vehicle tail light of FIG. 1.  
In the figures, shading represents contour and not any particular color. Structure and elements that are not part of the claimed design are represented in the figures by broken lines.

**1 Claim, 7 Drawing Sheets**







FIG. 1

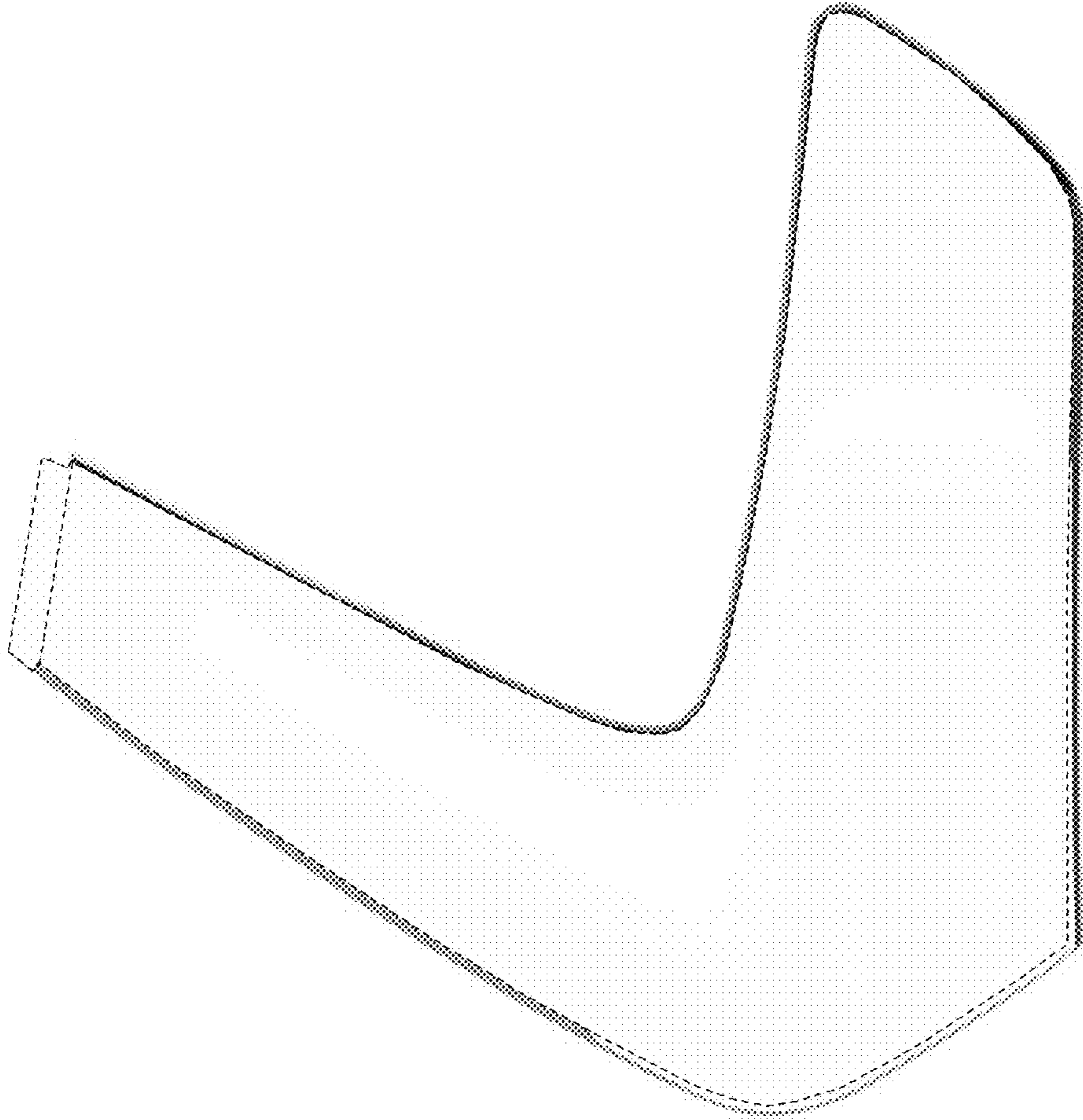




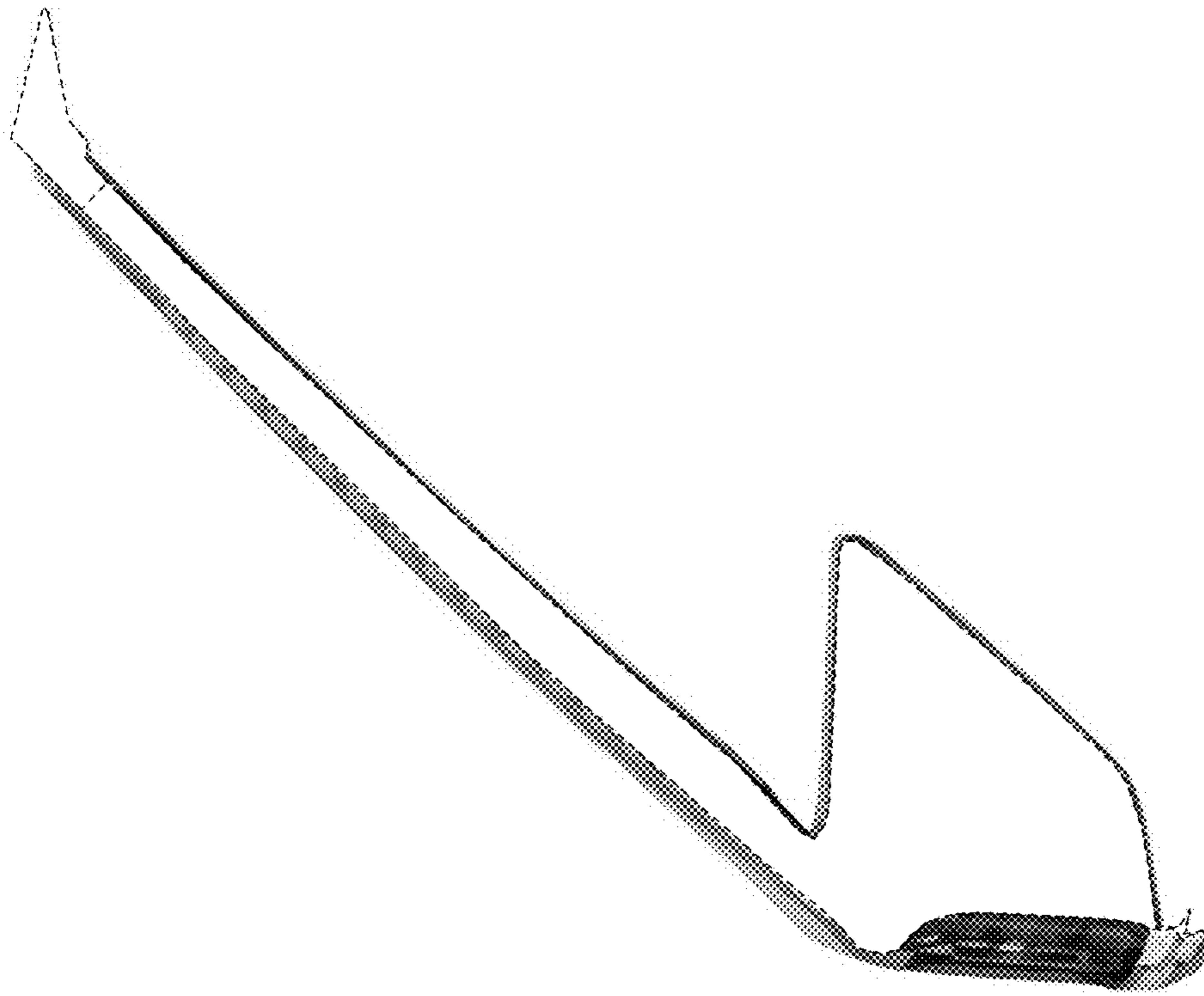
FIG. 2



FIG. 3



**FIG. 4**



**FIG. 5**



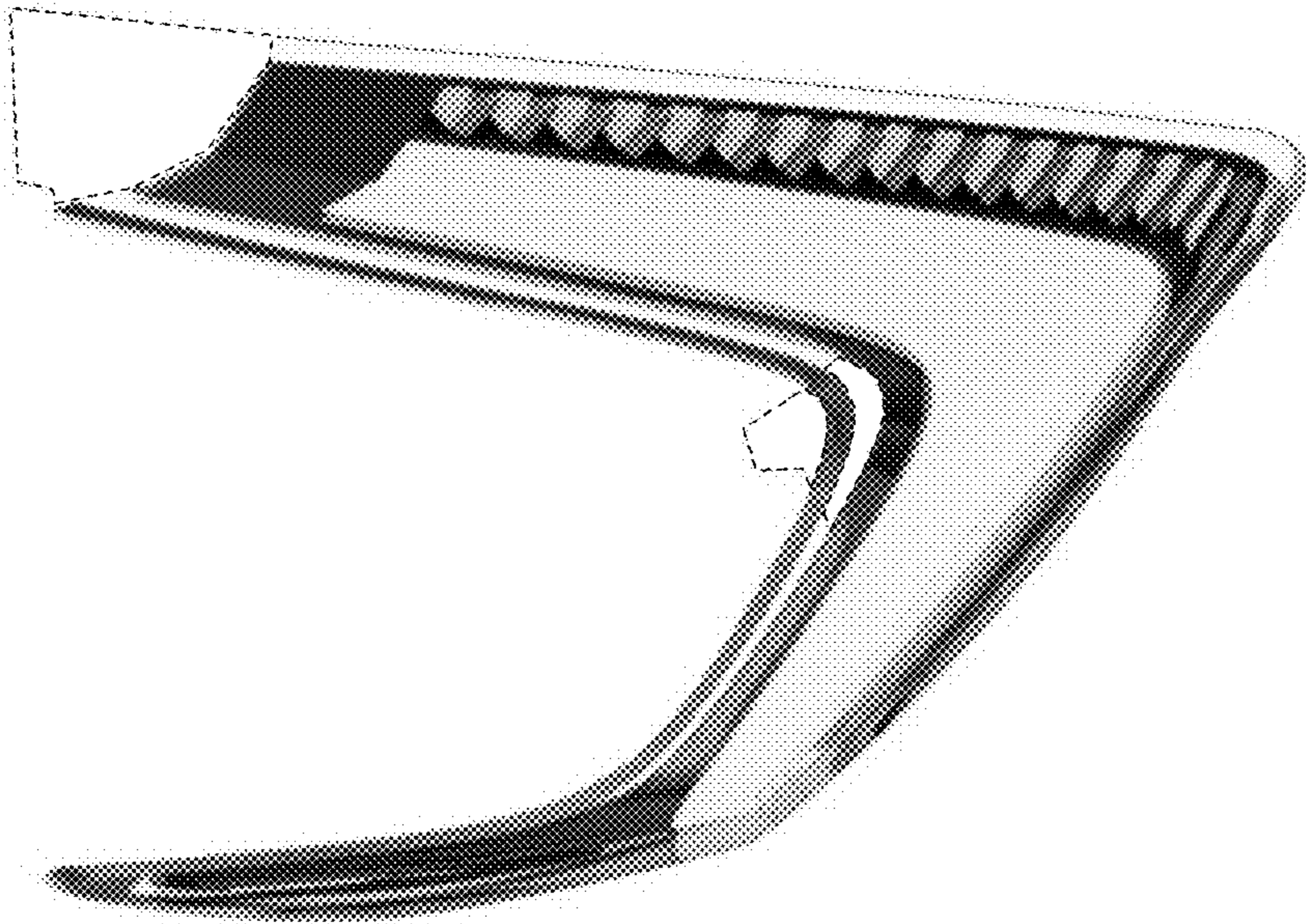
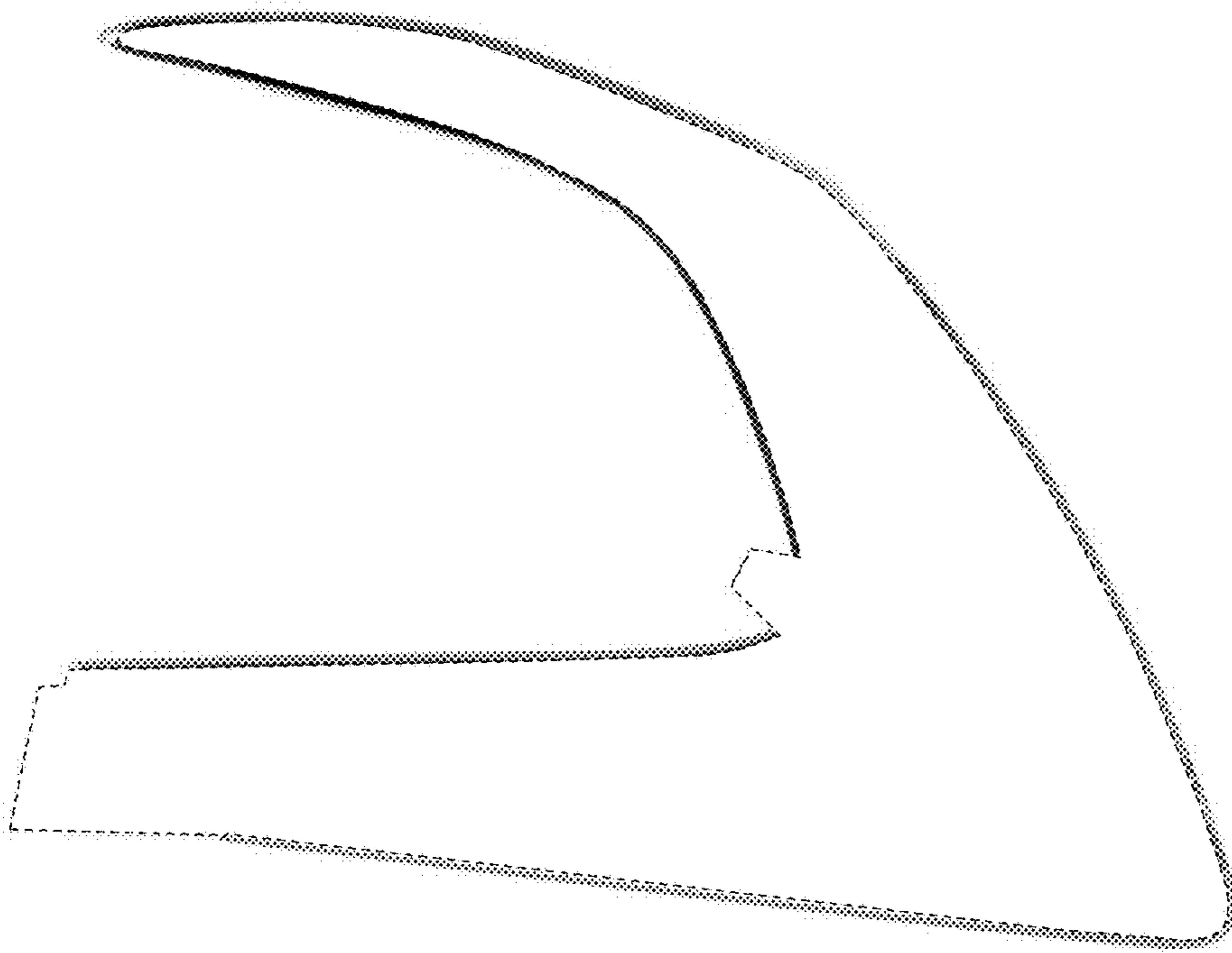


FIG. 6



**FIG. 7**