



US00D812264S

(12) **United States Design Patent**
Minamiyama et al.

(10) **Patent No.:** **US D812,264 S**
(45) **Date of Patent:** **** Mar. 6, 2018**

(54) **REAR COMBINATION LAMP FOR AN
AUTOMOBILE**

(71) Applicant: **Nissan Motor Co., Ltd.**, Yokohama,
Kanagawa (JP)

(72) Inventors: **Shin Minamiyama**, Kanagawa (JP);
Satoshi Tanaka, Kanagawa (JP)

(73) Assignee: **Nissan Motor Co., Ltd.**, Yokohama
(JP)

(**) Term: **15 Years**

(21) Appl. No.: **29/582,101**

(22) Filed: **Oct. 25, 2016**

(30) **Foreign Application Priority Data**

Apr. 26, 2016 (JP) 2016-009187

(51) **LOC (11) Cl.** **26-06**

(52) **U.S. Cl.**
USPC **D26/28**

(58) **Field of Classification Search**

USPC D26/28-36; 362/80-83, 267-269,
362/459-468, 475-478, 485-487

CPC F21S 48/00; F21S 48/10; F21S 48/115;
F21S 48/1233; F21S 48/1266; F21S
48/1388; F21S 48/2268; F21V 21/04

See application file for complete search history.

(56) **References Cited**

U.S. PATENT DOCUMENTS

D409,772 S * 5/1999 Bangle D26/28
D528,685 S 9/2006 Yoshida

(Continued)

FOREIGN PATENT DOCUMENTS

JP D1271818 S 5/2006
JP D1271821 S 5/2006

(Continued)

Primary Examiner — Marcus Jackson

(74) *Attorney, Agent, or Firm* — Global IP Counselors,
LLP

(57) **CLAIM**

The ornamental design for a rear combination lamp for an
automobile, as shown and described.

DESCRIPTION

FIG. 1 is a front elevational view of a rear combination lamp
for an automobile in accordance with a first embodiment of
our new design;

FIG. 2 is a rear elevational view thereof;

FIG. 3 is a top plan view thereof;

FIG. 4 is a bottom plan view thereof;

FIG. 5 is a left side elevational view thereof;

FIG. 6 is a right side elevational view thereof; and,

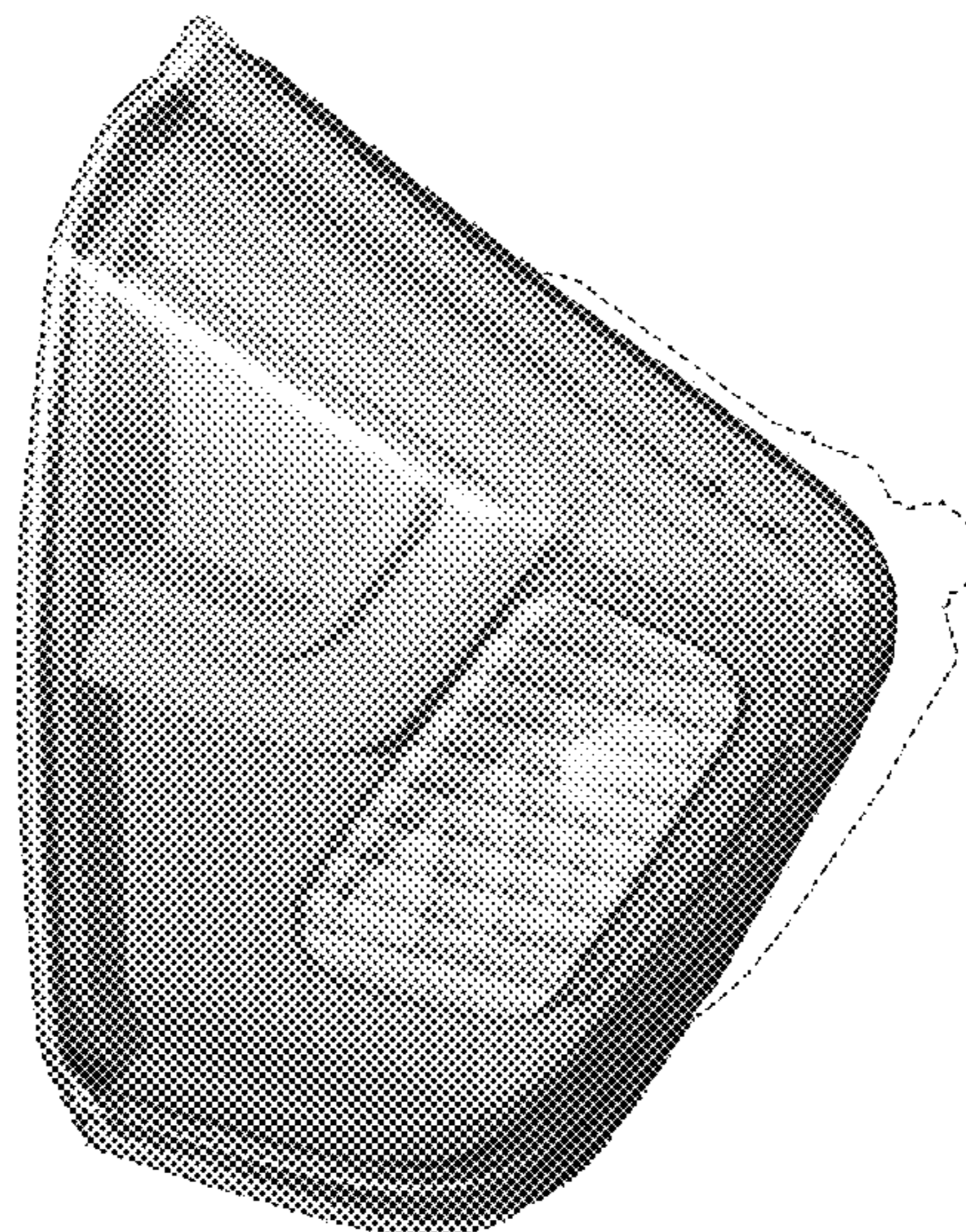
FIG. 7 is a front side perspective view thereof.

The rear combination lamp is configured to be mounted to
an automobile. The mounting structure and support structure
of the rear combination lamp, shown in broken lines in
FIGS. 2 to 7, form no part of the claimed design since the
mounting structure and support structure are hidden when
the rear combination lamp is mounted to the automobile.

In addition, the appearance of the rear side structures of the
rear combination lamp as shown in broken lines in FIGS. 2
to 7 is for purpose of illustrating the boundaries of the
exterior surface of the rear combination lamp, and forms no
part of the claimed design. The rear combination lamp has
a front lens that is transparent such that features behind the
lens are at least partially visible as illustrated.

A second embodiment of our new design is identical to the
first embodiment. The second embodiment of our new
design includes the mirror image of the rear combination
lamp shown in FIGS. 1 to 7.

1 Claim, 7 Drawing Sheets



(56)

References Cited

U.S. PATENT DOCUMENTS

D544,114 S 6/2007 Ohta
 D552,769 S * 10/2007 Leclercq D26/28
 D560,291 S 1/2008 Koyama
 D561,358 S 2/2008 Tachibana
 D597,232 S 7/2009 Hanaoka
 D615,222 S 5/2010 Gueler et al.
 D635,698 S 4/2011 Jeong et al.
 D635,700 S 4/2011 Kim et al.
 D637,743 S 5/2011 Cho et al.
 D652,550 S 1/2012 Cho et al.
 D660,484 S 5/2012 Gotschke et al.
 D670,842 S 11/2012 Fuchigami et al.
 D675,353 S * 1/2013 Kazama D26/28
 D680,249 S 4/2013 Iwai et al.
 D681,240 S 4/2013 Hamilton et al.
 D683,870 S 6/2013 Schmeckpeper
 D684,715 S 6/2013 Cogswell
 D690,447 S 9/2013 Endo et al.
 D694,440 S 11/2013 Johnson
 D696,442 S 12/2013 Kim et al.
 D696,444 S * 12/2013 Ishizuka D26/28
 D710,524 S * 8/2014 Hirabayashi D26/28
 D714,985 S 10/2014 Moon et al.
 D719,691 S 12/2014 Nordmann
 D720,873 S 1/2015 Lim et al.
 D728,136 S 4/2015 Ha et al.
 D728,137 S * 4/2015 Ha D26/28
 D738,549 S 9/2015 Gotschke et al.

D746,497 S * 12/2015 Behmer D26/28
 D749,247 S * 2/2016 Han D26/28
 D761,464 S 7/2016 Keskin et al.

FOREIGN PATENT DOCUMENTS

JP D1294112 S 2/2007
 JP D1271830 S 5/2007
 JP D1315700 S 11/2007
 JP D1333896 S 6/2008
 JP D1389691 S 6/2010
 JP D1403148 S 12/2010
 JP D1419134 S 7/2011
 JP D1403157 S 12/2011
 JP D1403173 S 12/2011
 JP D1419130 S 7/2012
 JP D1445515 S 7/2012
 JP D1445534 S 7/2012
 JP D1454377 S 11/2012
 JP D1455400 S 11/2012
 JP D1464698 S 3/2013
 JP D1472977 S 6/2013
 JP D1501952 S 7/2014
 JP D1502133 S 7/2014
 JP D1458996 S 1/2015
 JP D1491259 S 2/2015
 JP D1517398 S 2/2016
 JP D1546052 S 3/2017
 JP D1527912 S 6/2017
 JP D1538319 S 11/2017

* cited by examiner

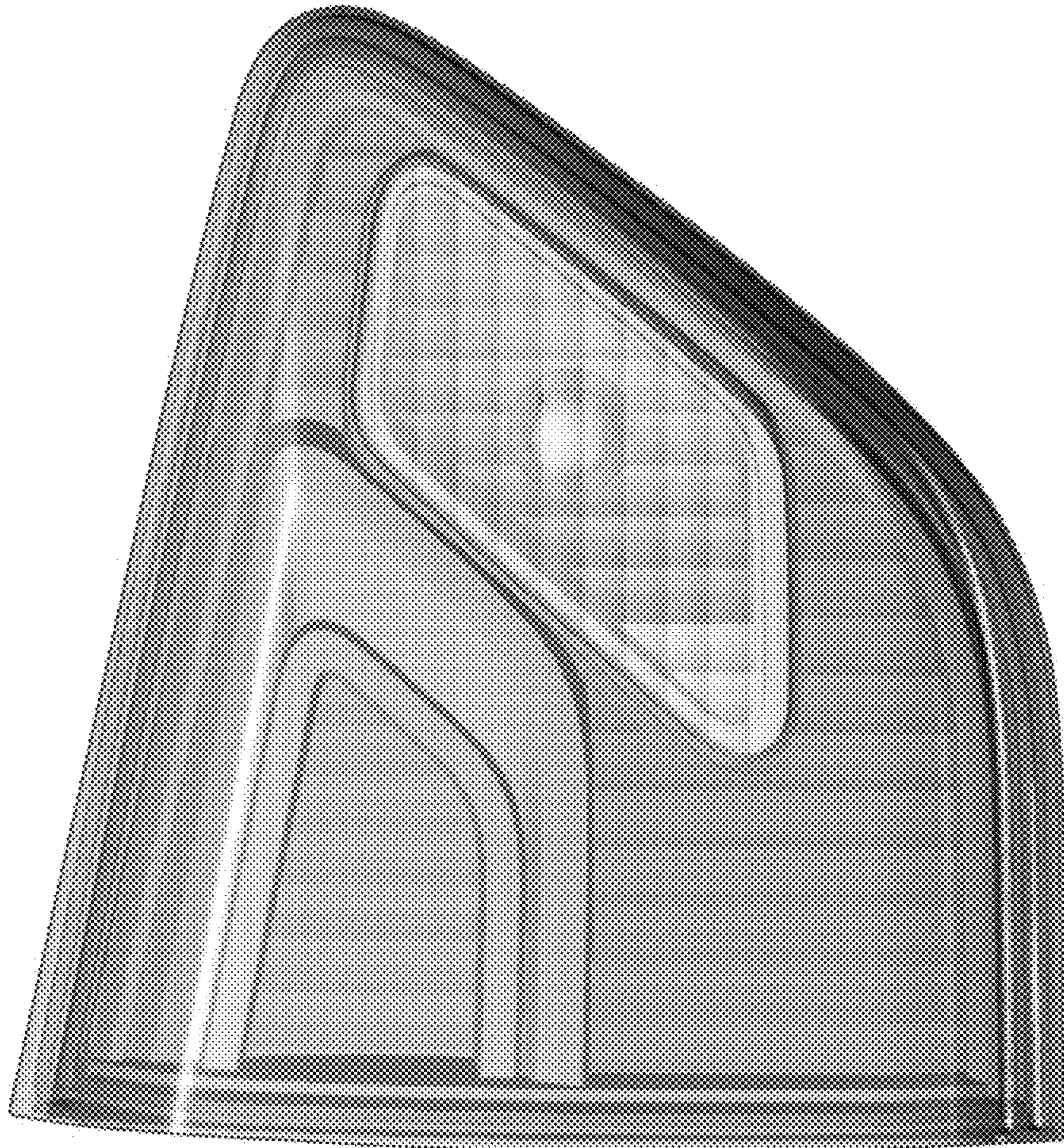


FIG. 1

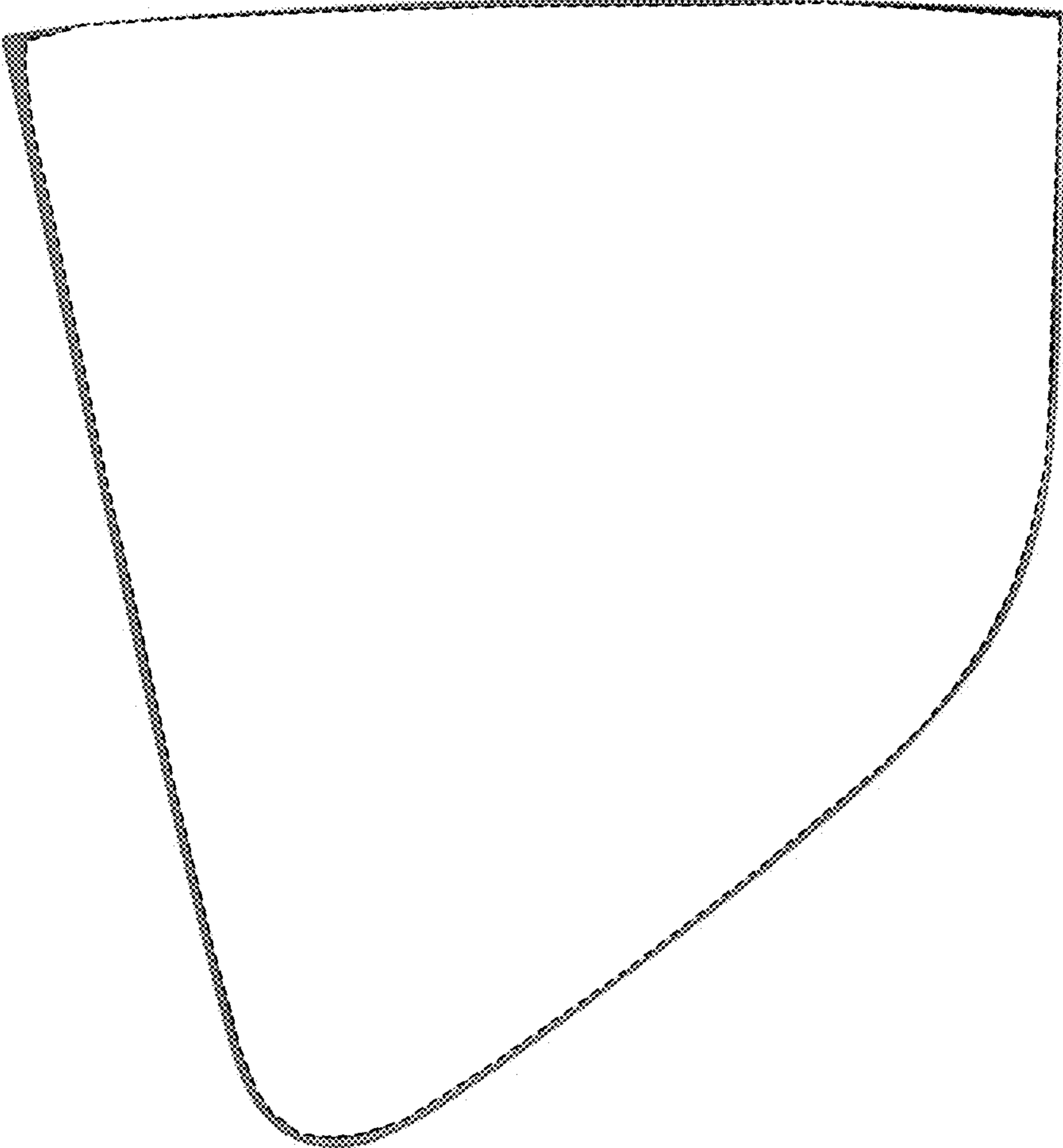


FIG. 2

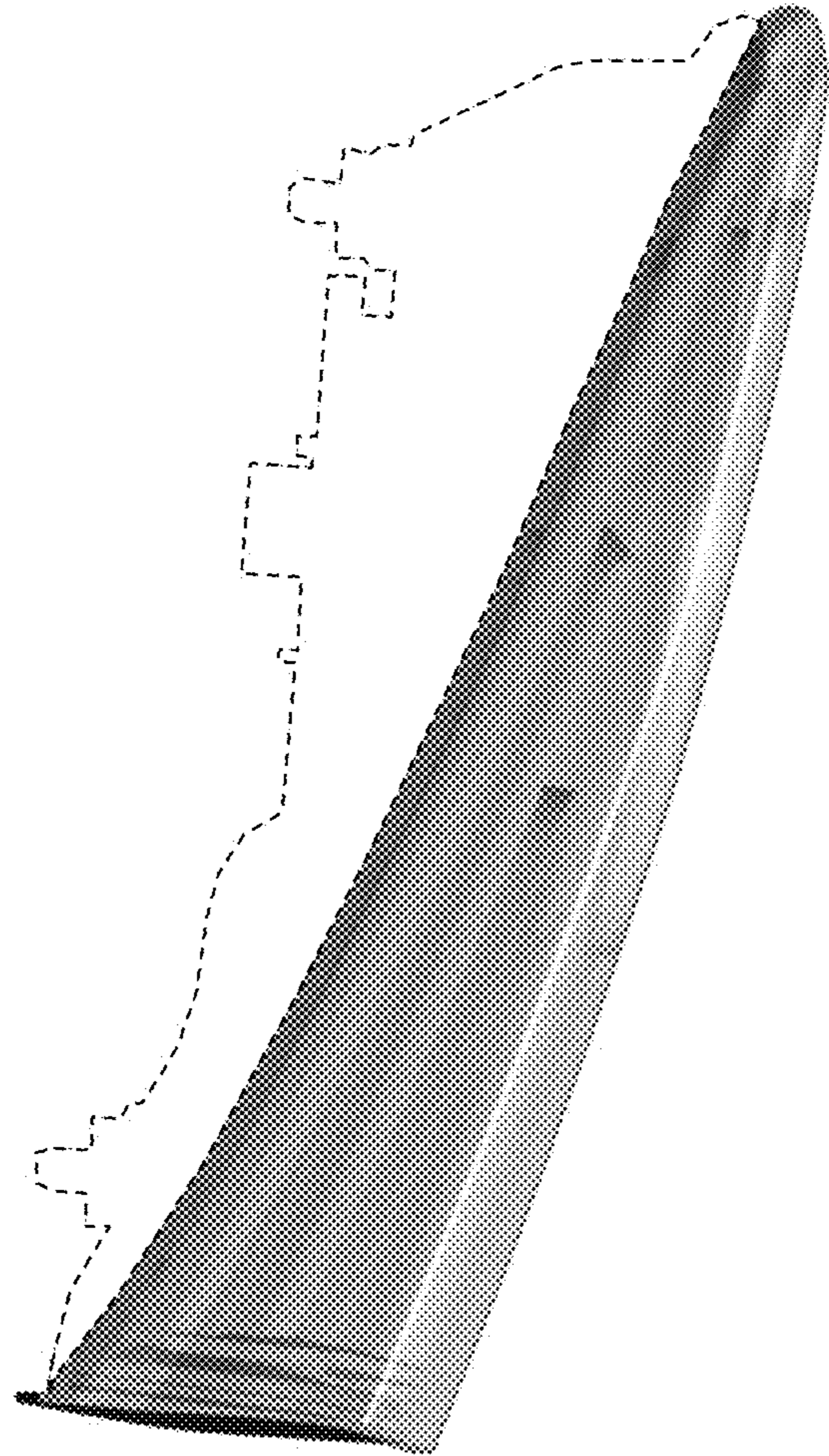


FIG. 3

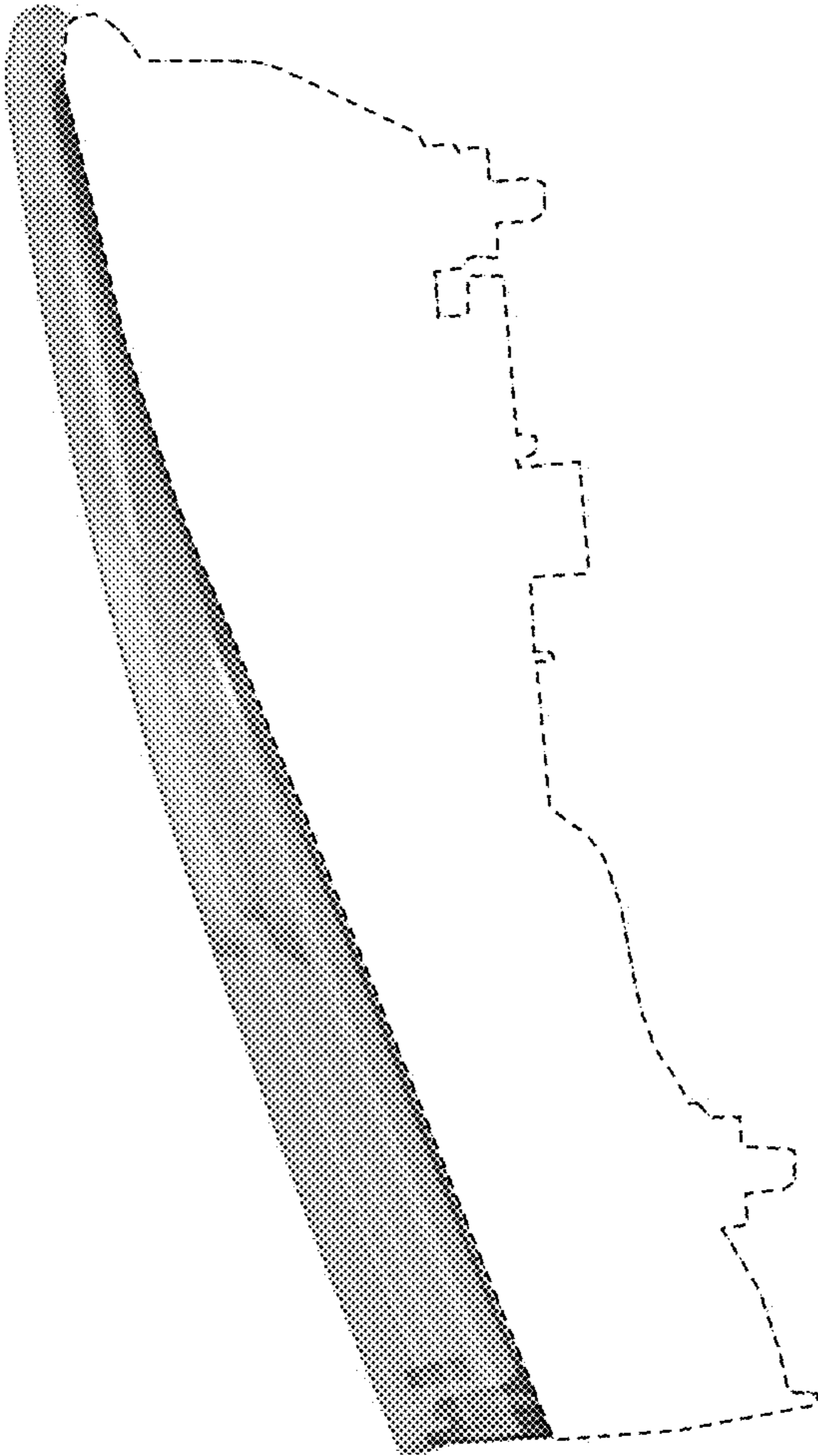


FIG. 4

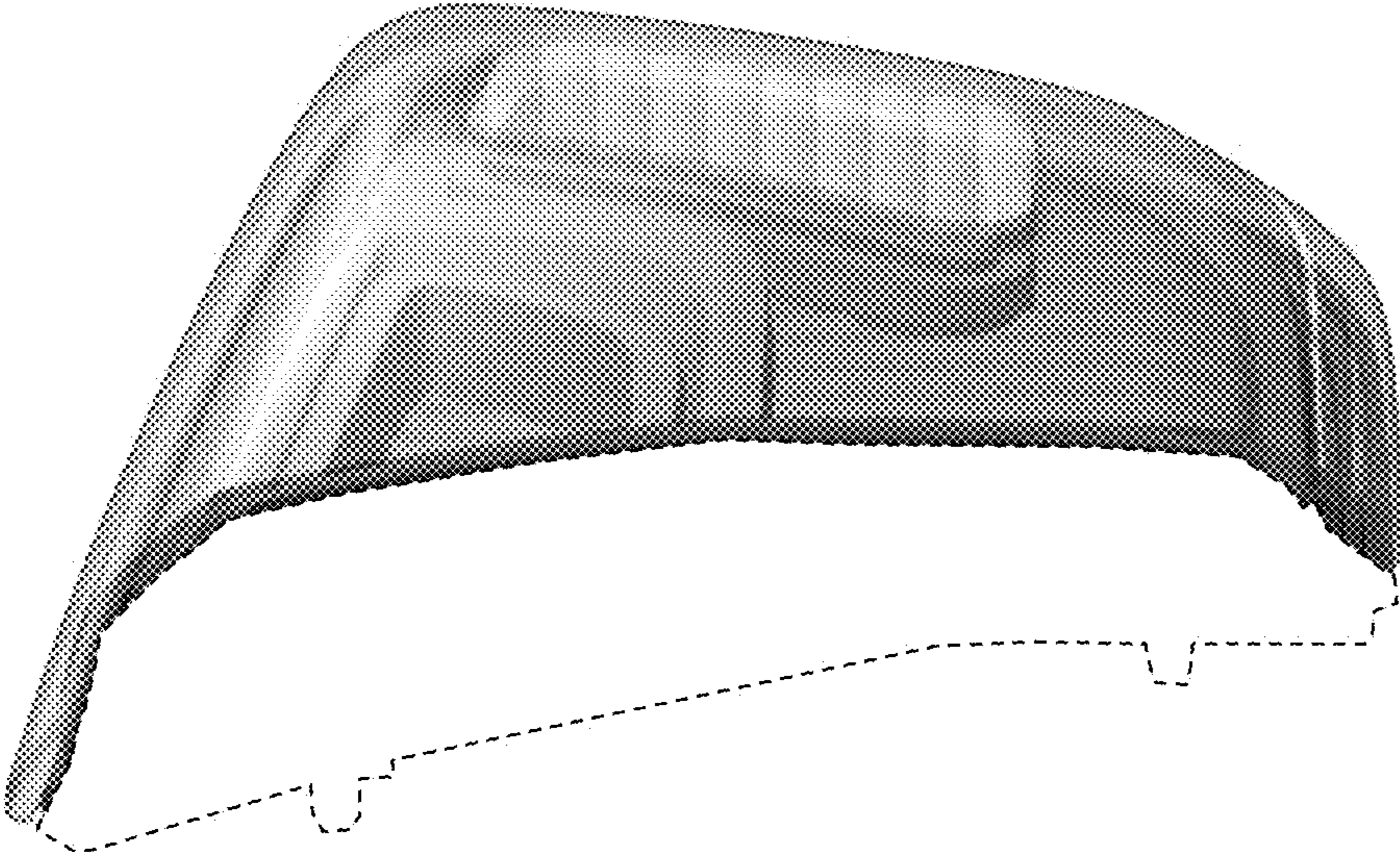


FIG. 5

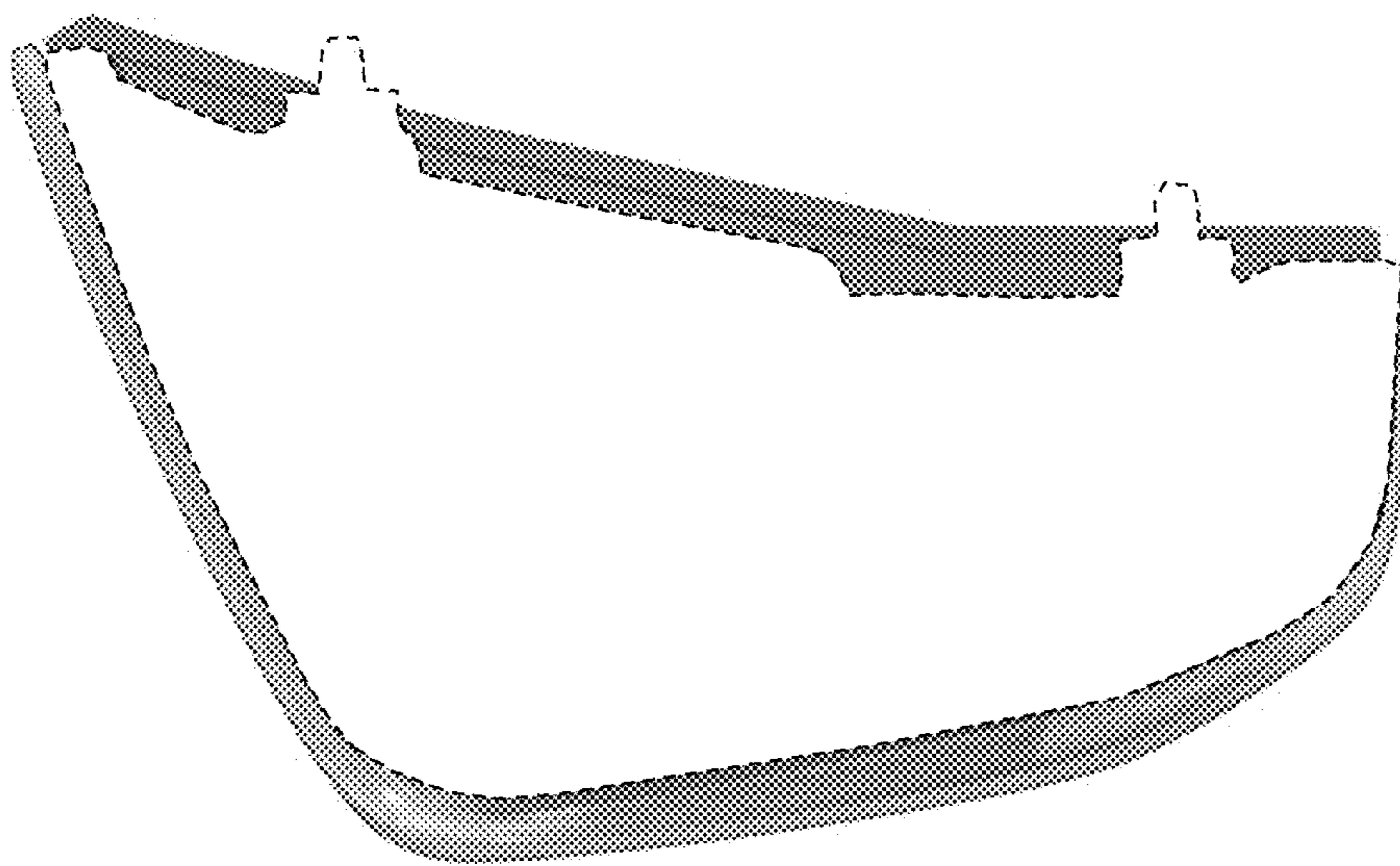


FIG. 6

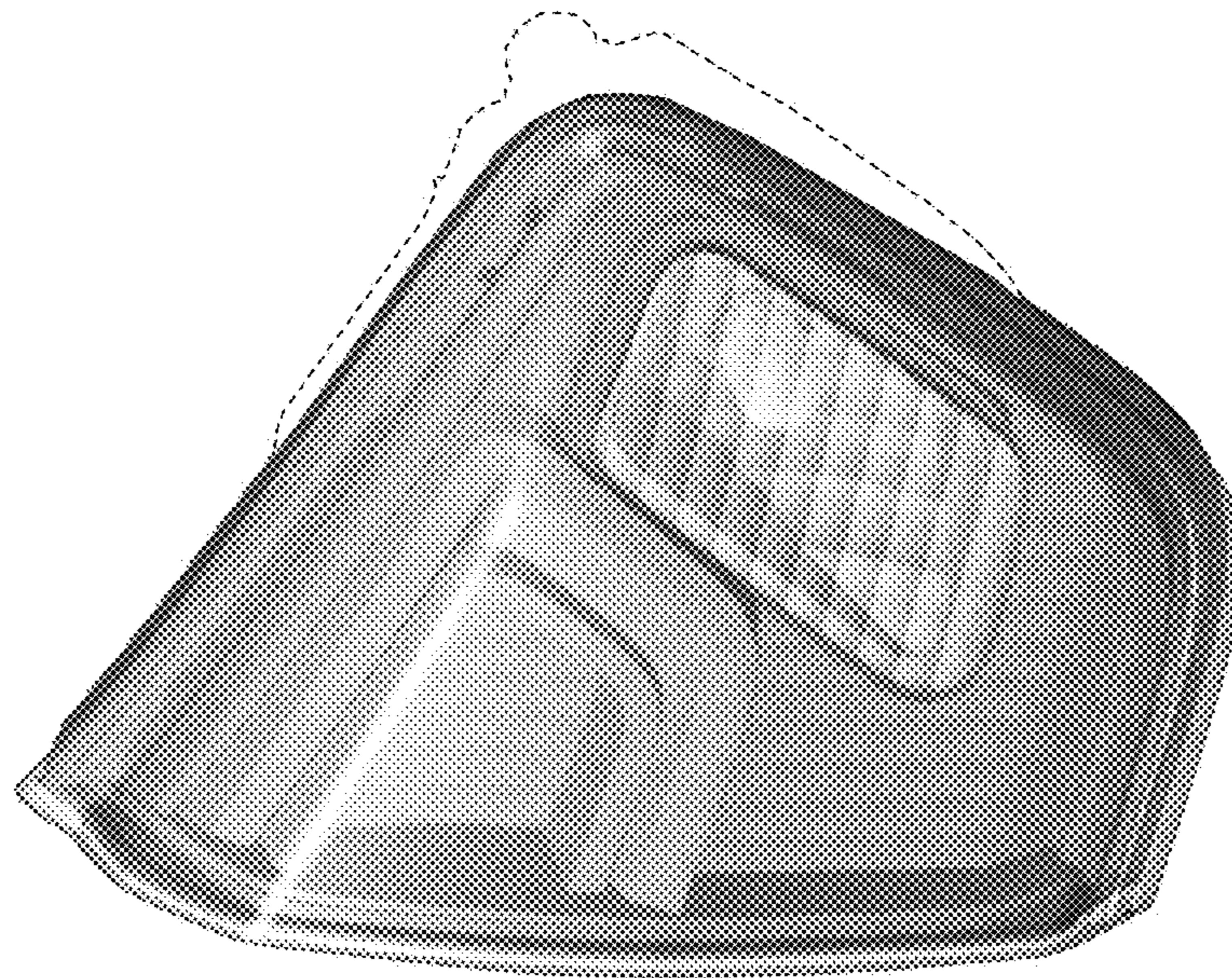


FIG. 7