



US00D812263S

(12) **United States Design Patent** (10) **Patent No.:** **US D812,263 S**
Minamiyama et al. (45) **Date of Patent:** **** Mar. 6, 2018**

(54) **REAR COMBINATION LAMP FOR AN AUTOMOBILE**

(71) Applicant: **Nissan Motor Co., Ltd.**, Yokohama, Kanagawa (JP)

(72) Inventors: **Shin Minamiyama**, Kanagawa (JP); **Satoshi Tanaka**, Kanagawa (JP)

(73) Assignee: **Nissan Motor Co., Ltd.**, Yokohama (JP)

(**) Term: **15 Years**

(21) Appl. No.: **29/582,098**

(22) Filed: **Oct. 25, 2016**

(30) **Foreign Application Priority Data**

Apr. 26, 2016 (JP) 2016-009184

(51) **LOC (11) Cl.** **26-06**

(52) **U.S. Cl.**
USPC **D26/28**

(58) **Field of Classification Search**
USPC D26/28-36; 362/80-83, 267-269, 362/459-468, 475-478, 485-487
CPC F21S 48/00; F21S 48/10; F21S 48/115; F21S 48/1233; F21S 48/1266; F21S 48/1388; F21S 48/2268; F21V 21/04
See application file for complete search history.

(56) **References Cited**

U.S. PATENT DOCUMENTS

D538,956 S * 3/2007 Ishii D26/28
D544,614 S * 6/2007 Markefka D26/28

(Continued)

FOREIGN PATENT DOCUMENTS

JP D1257195 S 12/2005
JP D1271817 S 5/2006

(Continued)

Primary Examiner — Marcus Jackson

(74) *Attorney, Agent, or Firm* — Global IP Counselors, LLP

(57) **CLAIM**

The ornamental design for a rear combination lamp for an automobile, as shown and described.

DESCRIPTION

FIG. 1 is a front elevational view of a rear combination lamp for an automobile in accordance with a first embodiment of our new design;

FIG. 2 is a rear elevational view thereof;

FIG. 3 is a top plan view thereof;

FIG. 4 is a bottom plan view thereof;

FIG. 5 is a left side elevational view thereof;

FIG. 6 is a right side elevational view thereof; and,

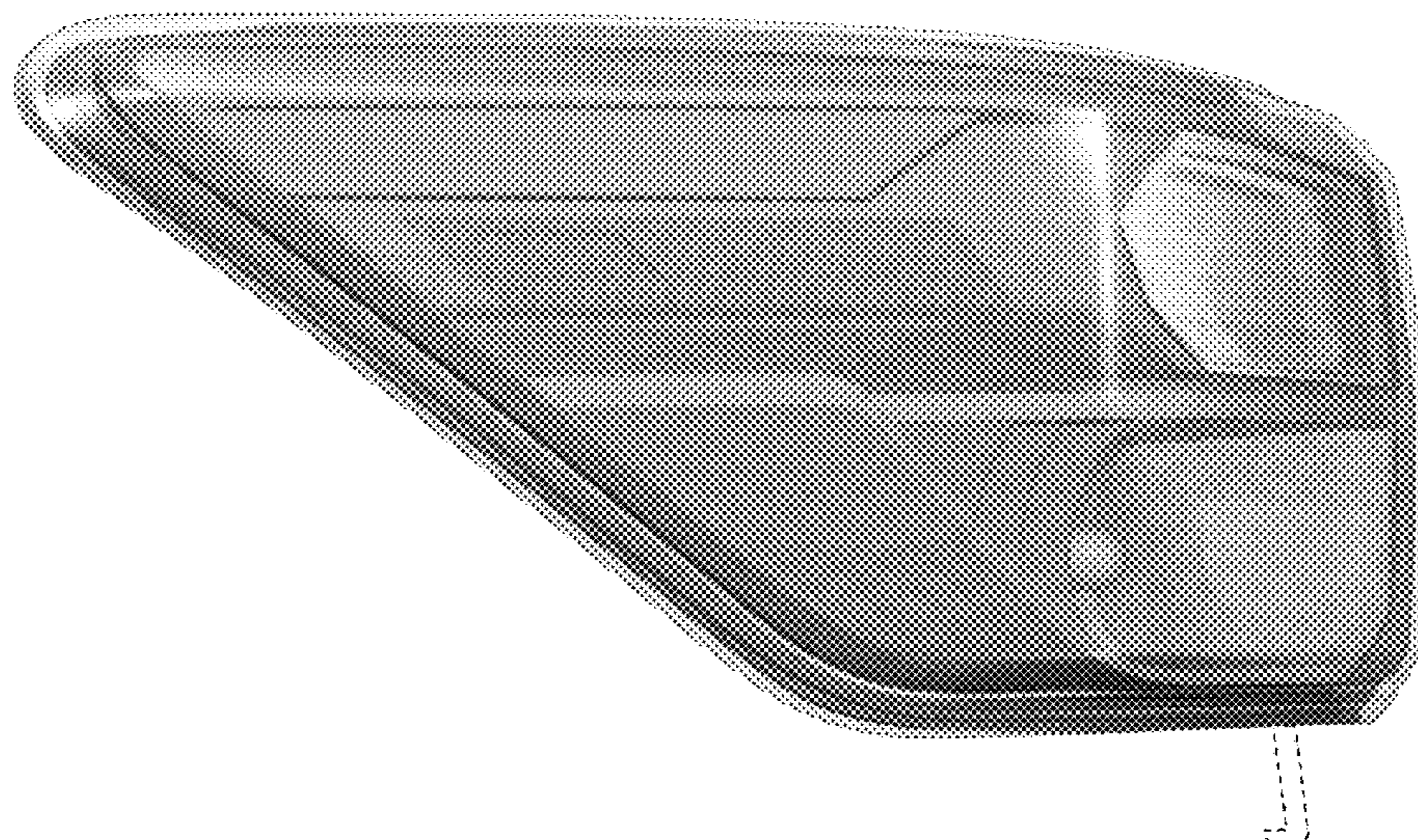
FIG. 7 is a front side perspective view thereof.

The rear combination lamp is configured to be mounted to an automobile. The mounting structure and support structure of the rear combination lamp, shown in broken lines in FIGS. 1 to 7, form no part of the claimed design since the mounting structure and support structure are hidden when the rear combination lamp is mounted to the automobile.

In addition, the appearance of the rear side structures of the rear combination lamp as shown in broken lines in FIGS. 2 to 6 is for purpose of illustrating the boundaries of the exterior surface of the rear combination lamp, and forms no part of the claimed design. The rear combination lamp has a front lens that is transparent such that features behind the lens are at least partially visible as illustrated.

A second embodiment of our new design is identical to the first embodiment. The second embodiment of our new design includes the mirror image of the rear combination lamp shown in FIGS. 1 to 7.

1 Claim, 7 Drawing Sheets



(56)

References Cited

U.S. PATENT DOCUMENTS

D549,363 S * 8/2007 Pfeiffer D26/28
 D570,007 S * 5/2008 Hsu D26/28
 D582,587 S * 12/2008 Yang D26/28
 D593,232 S * 5/2009 Koman D26/28
 D612,960 S 3/2010 Bucher et al.
 D614,330 S 4/2010 Lamm et al.
 D635,694 S * 4/2011 Yang D26/28
 D660,483 S 5/2012 Gotschke et al.
 D664,688 S 7/2012 Kim et al.
 D671,248 S 11/2012 Fuchigami et al.
 D681,245 S 4/2013 Colborne
 D683,058 S 5/2013 Cogswell
 D683,870 S 6/2013 Schmeckpeper
 D686,357 S 7/2013 Morgenstern
 D694,439 S 11/2013 Davis
 D720,484 S 12/2014 Nordmann
 D750,298 S 2/2016 Gotschke et al.
 D754,889 S 4/2016 Gotschke et al.
 D760,933 S 7/2016 Keskin et al.
 D764,083 S 8/2016 Davidson et al.

FOREIGN PATENT DOCUMENTS

JP D1271820 S 5/2006
 JP D1304225 S 6/2007
 JP D1312001 S 10/2007
 JP D1312265 S 10/2007
 JP D1346140 S 12/2008
 JP D1403156 S 12/2011
 JP D1403172 S 12/2011
 JP D1445533 S 7/2012
 JP D1454114 S 10/2012

JP D1461953 S 2/2013
 JP D1472976 S 6/2013
 JP D1458890 S 12/2013
 JP D1458893 S 12/2013
 JP D1486867 S 12/2013
 JP D1472544 S 6/2014
 JP D1472891 S 6/2014
 JP D1498532 S 6/2014
 JP D1498533 S 6/2014
 JP D1500716 S 6/2014
 JP D1501245 S 6/2014
 JP D1479716 S 9/2014
 JP D1480240 S 9/2014
 JP D1510475 S 11/2014
 JP D1513122 S 12/2014
 JP D1458995 S 1/2015
 JP D1517665 S 2/2015
 JP D1517667 S 2/2015
 JP D1518110 S 2/2015
 JP D1518112 S 2/2015
 JP D1518984 S 3/2015
 JP D1501253 S 6/2015
 JP D1526535 S 6/2015
 JP D1526616 S 6/2015
 JP D1532786 S 9/2015
 JP D1481533 S 10/2015
 JP D1538030 S 11/2015
 JP D1540608 S 12/2015
 JP D1550044 S 5/2016
 JP D1550900 S 6/2016
 JP D1556314 S 8/2016
 JP D1565247 S 12/2016
 JP D1570842 S 3/2017
 JP D1571214 S 3/2017

* cited by examiner



FIG. 1



FIG. 2

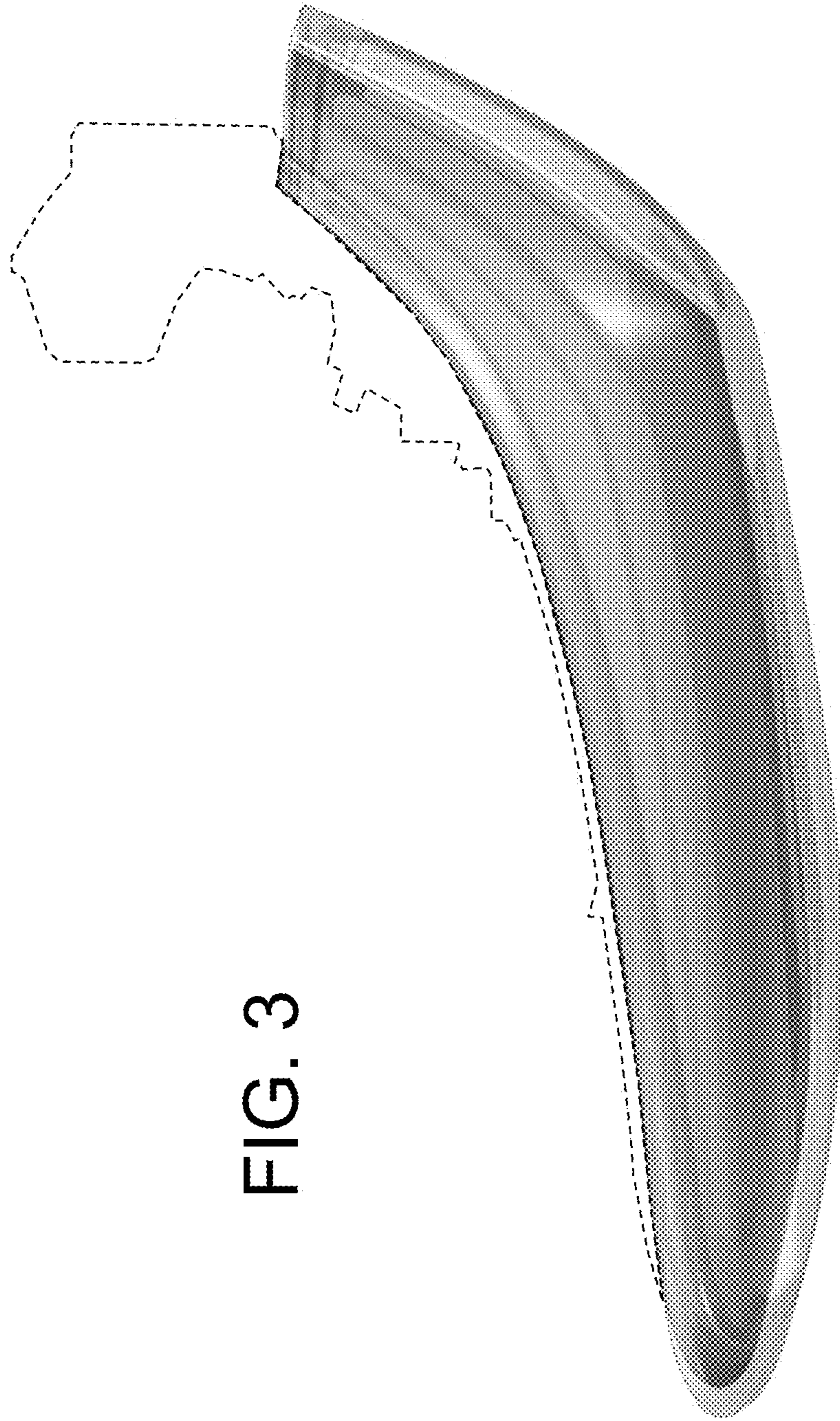


FIG. 3

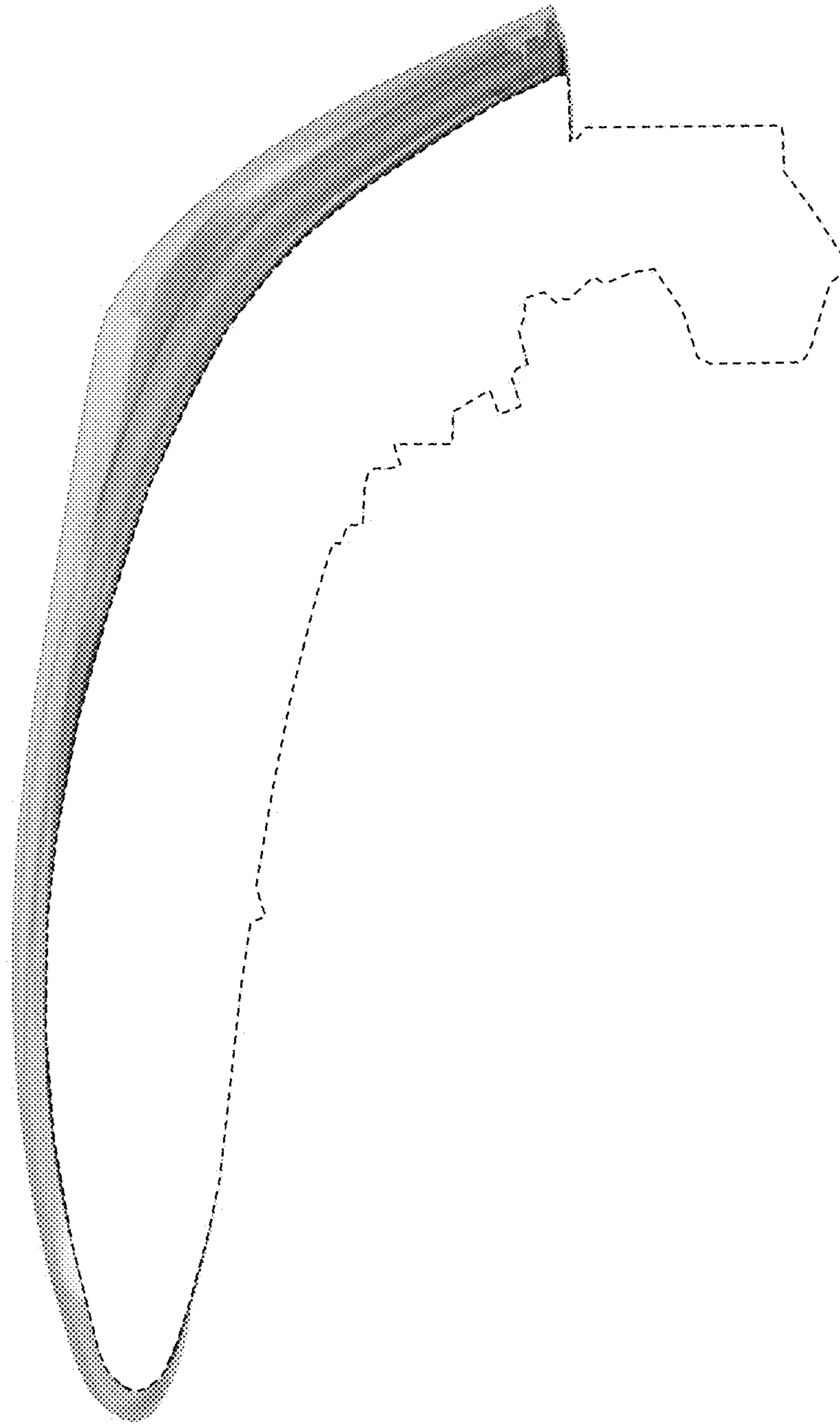


FIG. 4

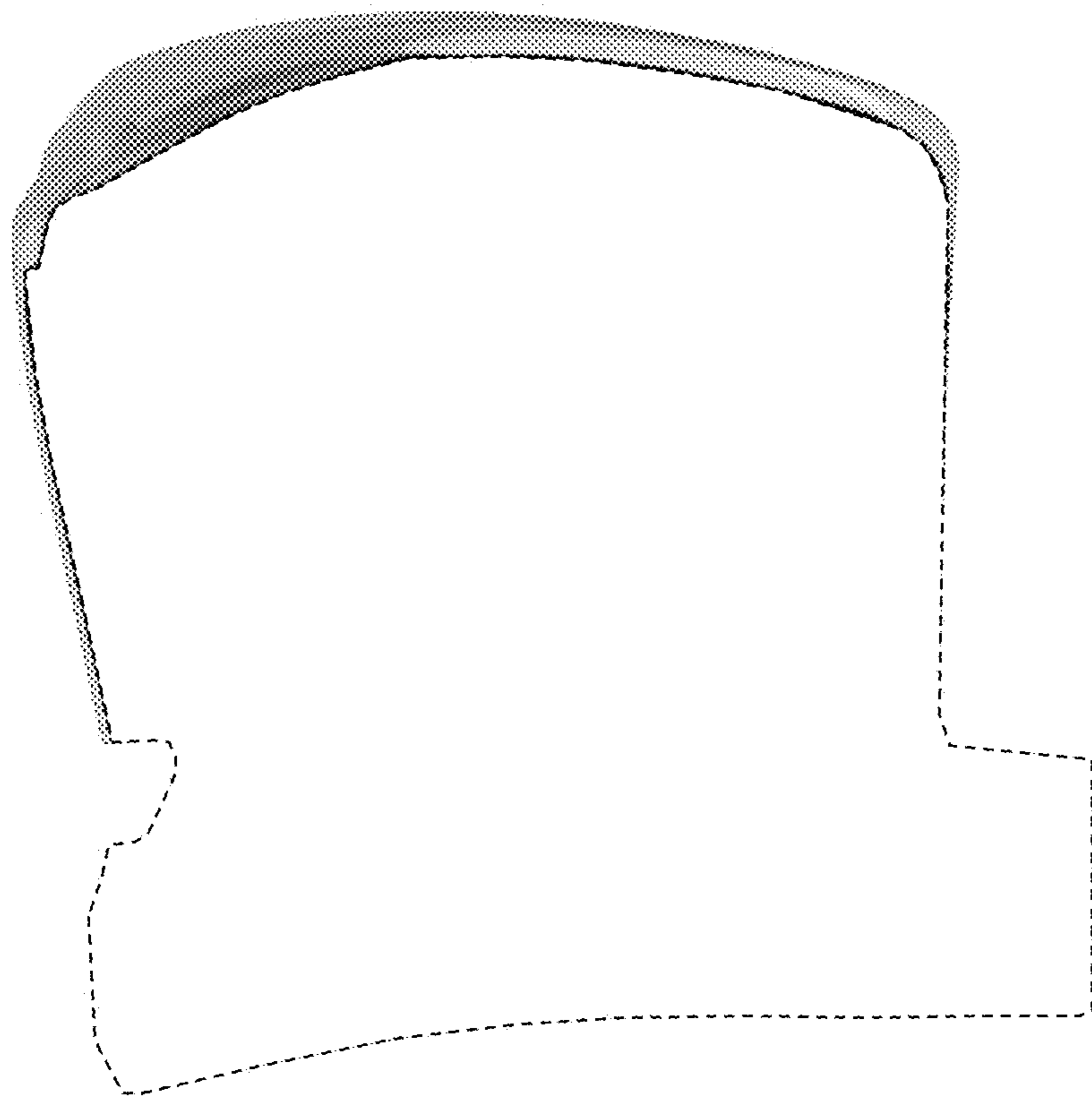


FIG. 5

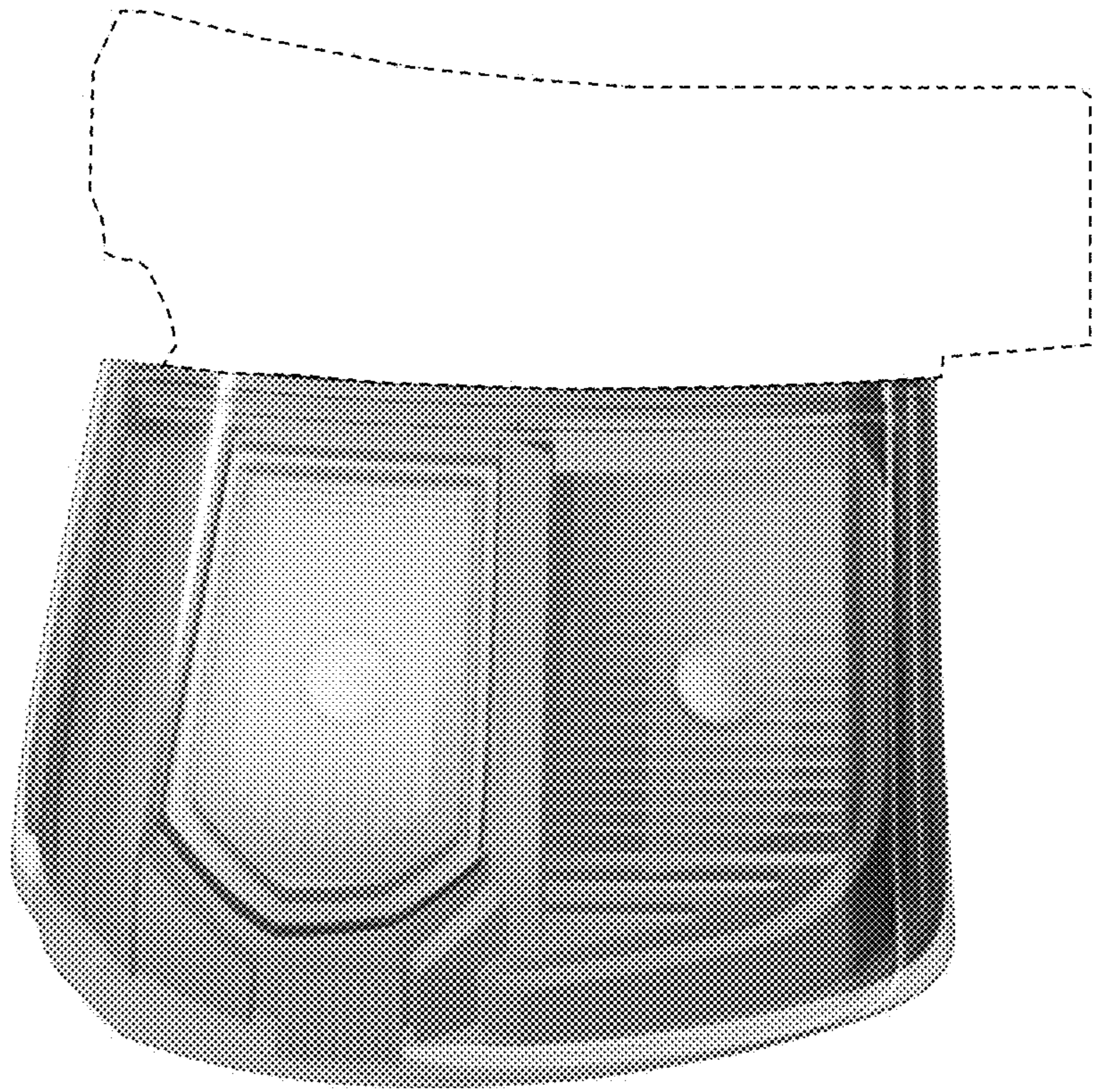


FIG. 6

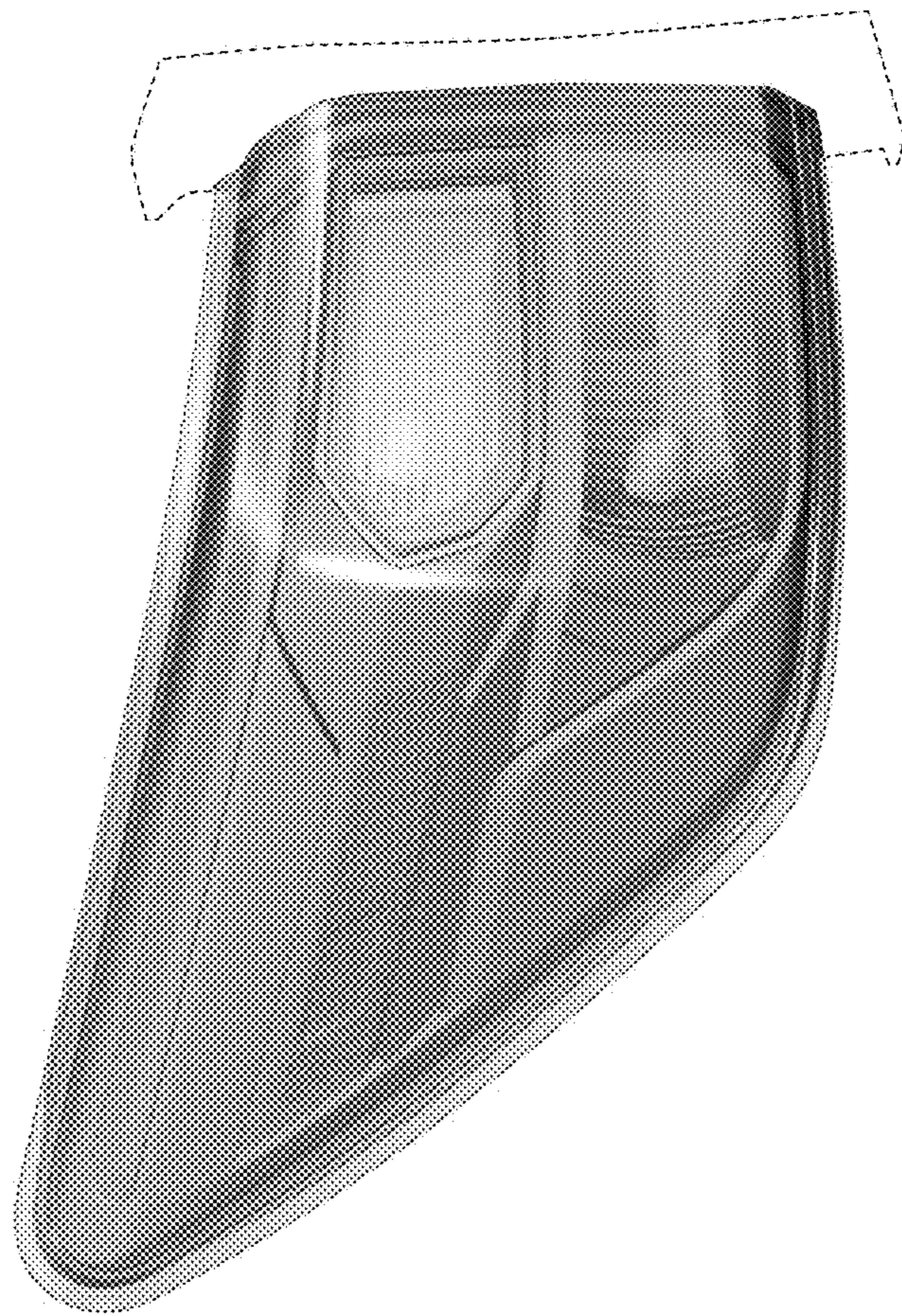


FIG. 7