



US00D812261S

(12) **United States Design Patent** (10) **Patent No.:** **US D812,261 S**
Seo et al. (45) **Date of Patent:** **** Mar. 6, 2018**

(54) **REAR COMBINATION LAMP FOR AN AUTOMOBILE**

(71) Applicant: **Nissan Motor Co., Ltd.**, Yokohama, Kanagawa (JP)

(72) Inventors: **Kuniharu Seo**, Kanagawa (JP); **Satoru Hasegawa**, Kanagawa (JP)

(73) Assignee: **Nissan Motor Co., Ltd.**, Yokohama (JP)

(**) Term: **15 Years**

(21) Appl. No.: **29/568,911**

(22) Filed: **Jun. 22, 2016**

(30) **Foreign Application Priority Data**

Dec. 23, 2015 (JP) 2015-028611

(51) **LOC (11) Cl.** **26-06**

(52) **U.S. Cl.**
USPC **D26/28**

(58) **Field of Classification Search**
USPC D26/28–36; 362/80–83, 267–269, 362/459–468, 475–478, 485–487
(Continued)

(56) **References Cited**

U.S. PATENT DOCUMENTS

D614,784 S * 4/2010 Lamm D26/28
D637,743 S * 5/2011 Cho D26/28
(Continued)

FOREIGN PATENT DOCUMENTS

JP D1294112 S 2/2007
JP D1304227 S 6/2007
(Continued)

Primary Examiner — Marcus Jackson

(74) *Attorney, Agent, or Firm* — Global IP Counselors, LLP

(57) **CLAIM**

The ornamental design for a rear combination lamp for an automobile, as shown and described.

DESCRIPTION

FIG. 1 is a front elevational view of a rear combination lamp for an automobile in accordance with a first embodiment of our new design;

FIG. 2 is a rear elevational view of the rear combination lamp in accordance with the first embodiment of our new design of FIG. 1;

FIG. 3 is a top plan view of the rear combination lamp in accordance with the first embodiment of our new design of FIGS. 1 and 2;

FIG. 4 is a bottom plan view of the rear combination lamp in accordance with the first embodiment of our new design of FIGS. 1 to 3;

FIG. 5 is a right side elevational view of the rear combination lamp in accordance with the first embodiment of our new design of FIGS. 1 to 4;

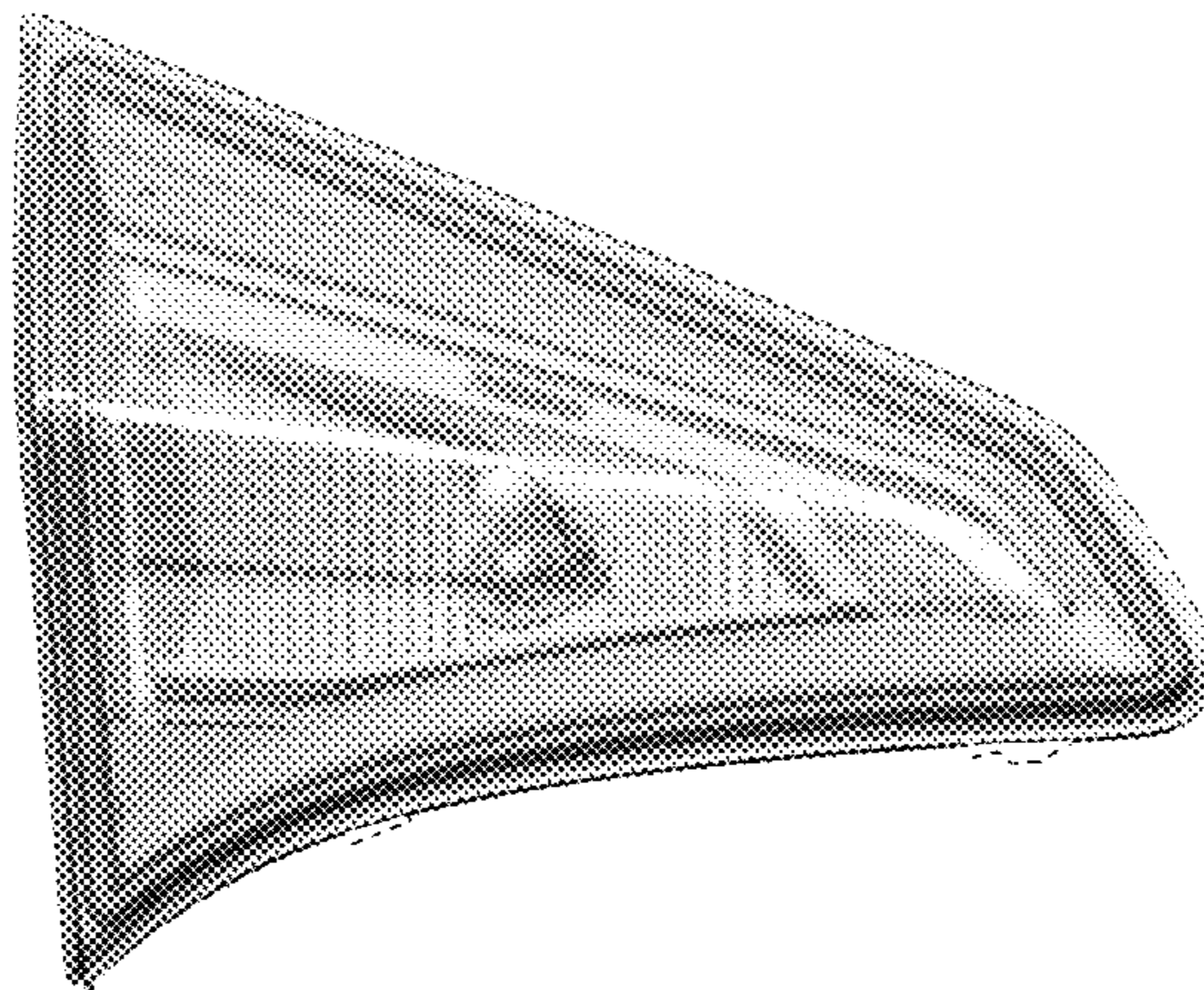
FIG. 6 is a left side elevational view of the rear combination lamp in accordance with the first embodiment of our new design of FIGS. 1 to 5; and,

FIG. 7 is a front side perspective view of the rear combination lamp in accordance with the first embodiment of our new design of FIGS. 1 to 6.

The rear combination lamp is configured to be mounted to an automobile. The mounting structure and support structure of the rear combination lamp, shown in broken lines in FIGS. 1 to 6, form no part of the claimed design since the mounting structure and support structure are hidden when the rear combination lamp is mounted to the automobile.

In addition, the appearance of the rear side structures and inside structures of the rear combination lamp as shown in broken lines in FIGS. 2 to 6 is for purpose of illustrating the boundaries of the exterior surface of the outside of the rear combination lamp, and forms no part of the claimed design. A second embodiment of our new design is identical to the first embodiment except that the second embodiment of our new design includes the mirror image of the rear combination lamp shown in FIGS. 1 to 7.

1 Claim, 7 Drawing Sheets



(58) **Field of Classification Search**

CPC F21S 48/00; F21S 48/10; F21S 48/115;
F21S 48/1233; F21S 48/1266; F21S
48/1388; F21S 48/2268; F21V 21/04;
B60Q 9/13; B60Q 9/135; B60Q 9/1375
See application file for complete search history.

(56) **References Cited**

U.S. PATENT DOCUMENTS

D652,550	S	*	1/2012	Cho	D26/28
D705,969	S	*	5/2014	Park	D26/28
D720,872	S	*	1/2015	Lim	D26/28
D728,137	S	*	4/2015	Ha	D26/28

FOREIGN PATENT DOCUMENTS

JP	D1333896	S	6/2008
JP	D1403148	S	12/2010
JP	D1403173	S	12/2011
JP	D1419130	S	7/2012
JP	D1445534	S	7/2012
JP	D1454377	S	11/2012
JP	D1455400	S	11/2012
JP	D1501952	S	7/2014
JP	D1458996	S	1/2015
JP	D1491259	S	2/2015
JP	D1501254	S	6/2015
JP	D1517398	S	2/2016
JP	D1546053	S	3/2017
JP	D1527912	S	6/2017
JP	D1538319	S	11/2017

* cited by examiner

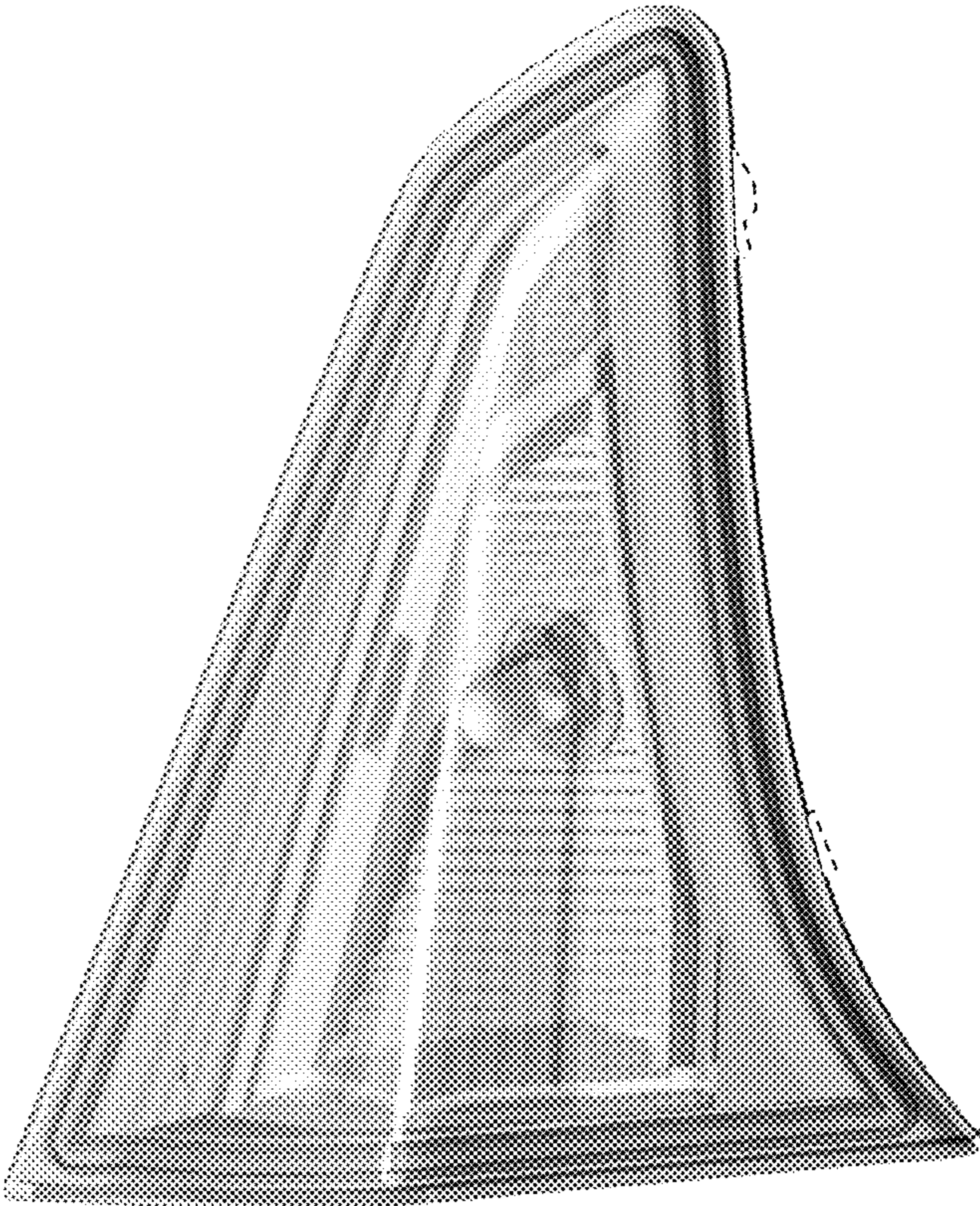


FIG. 1

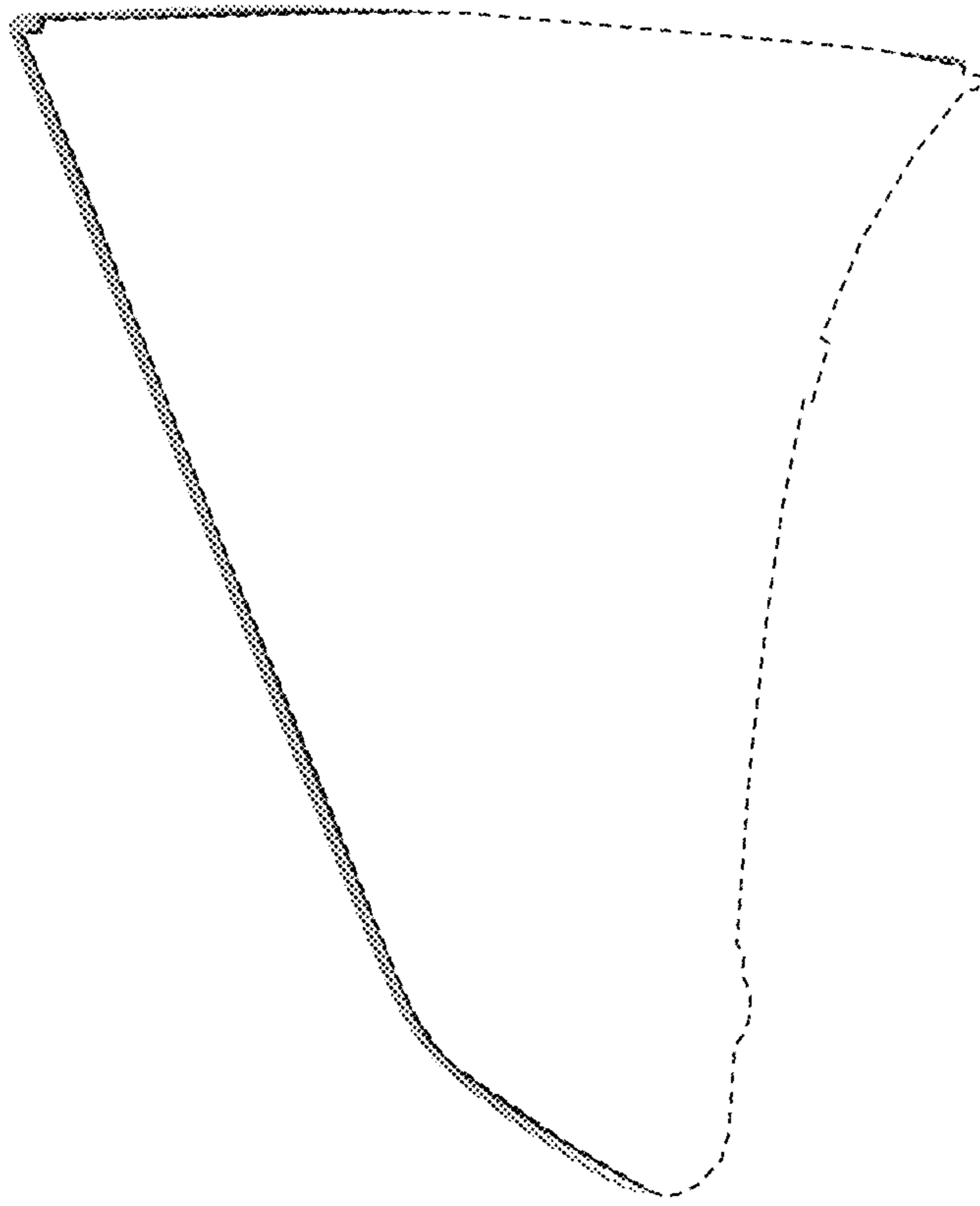


FIG. 2



FIG. 3

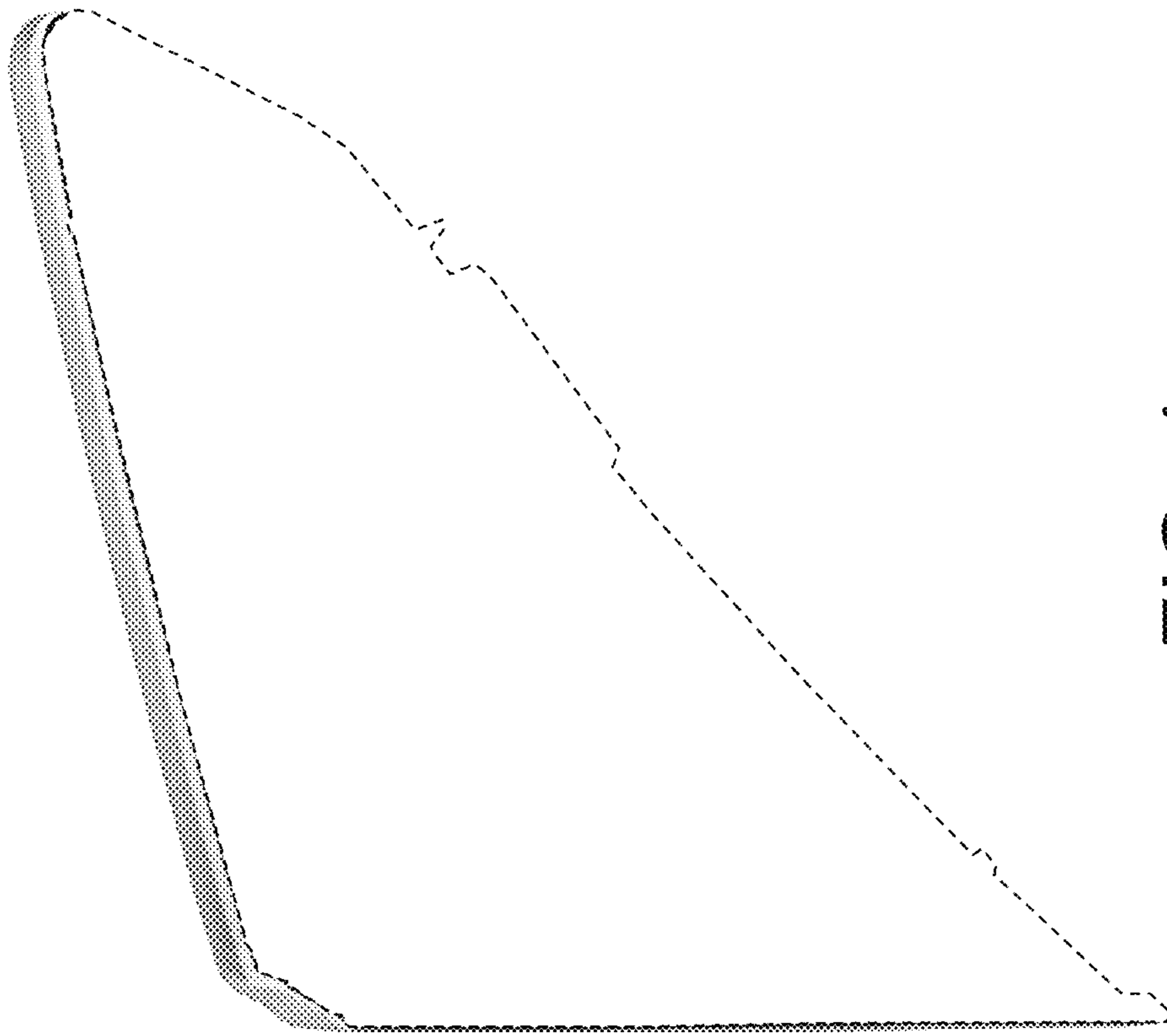


FIG. 4

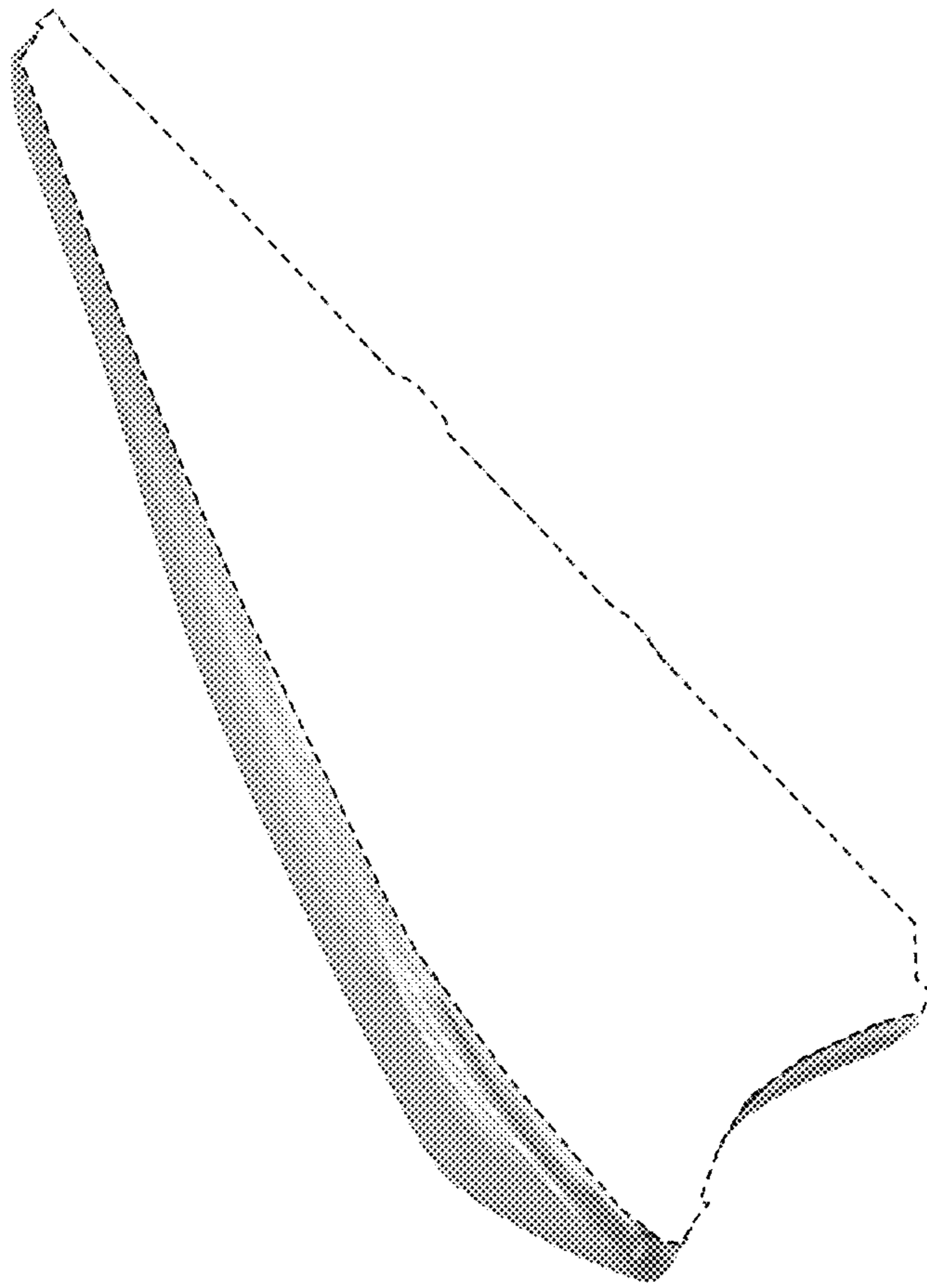


FIG. 5

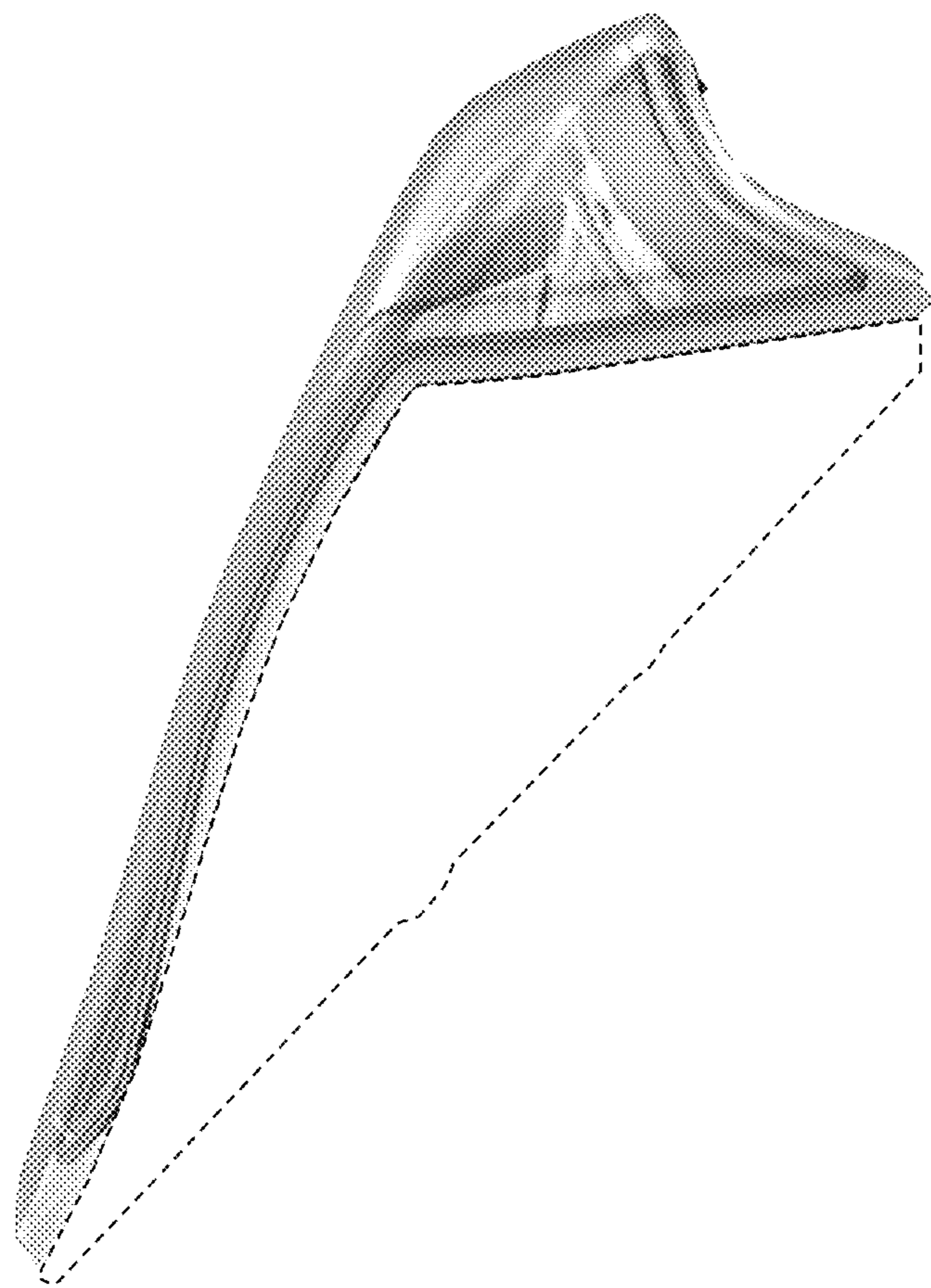


FIG. 6

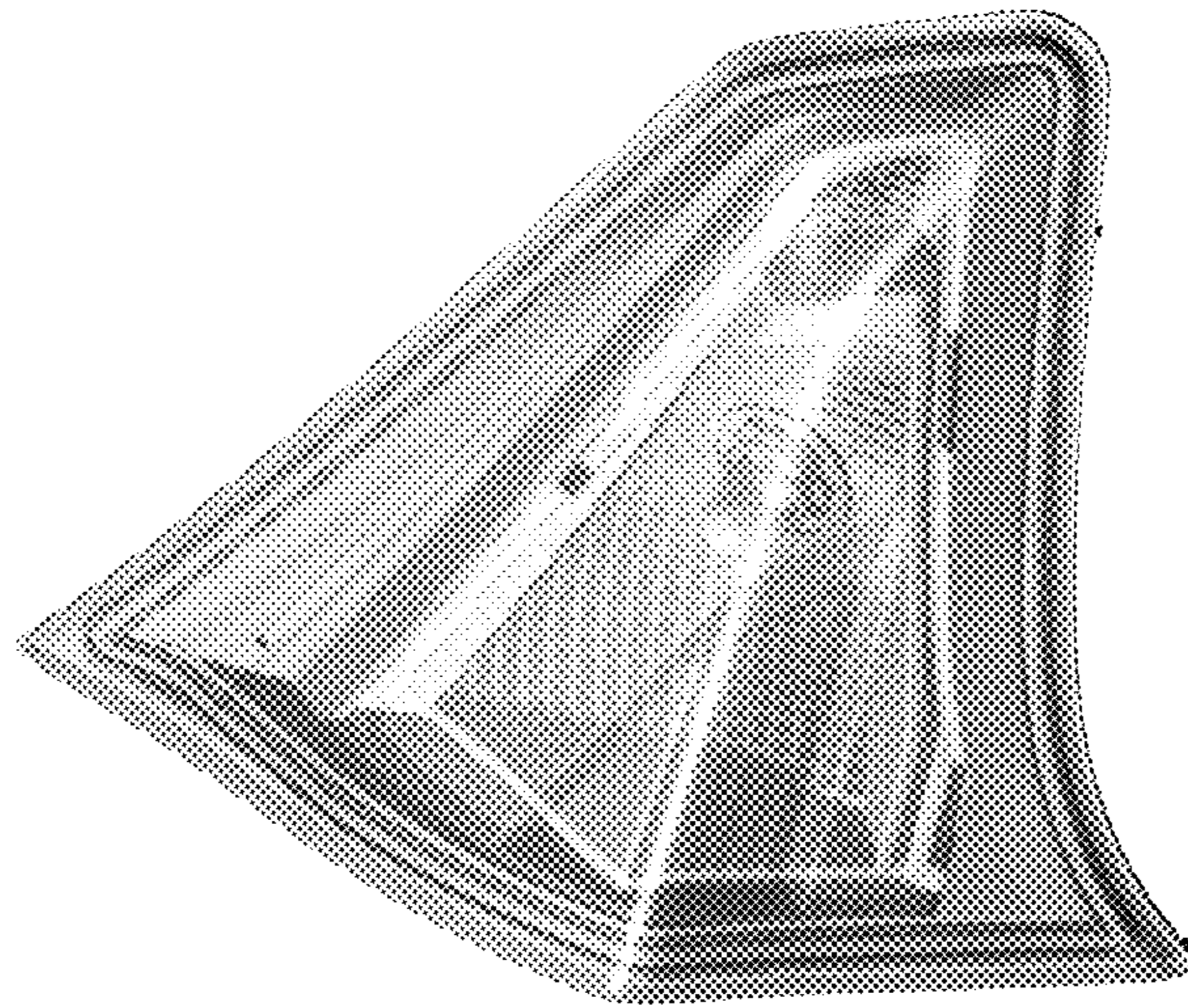


FIG. 7