



US00D812260S

(12) **United States Design Patent** (10) **Patent No.:** **US D812,260 S**
Seo et al. (45) **Date of Patent:** **** Mar. 6, 2018**

(54) **REAR COMBINATION LAMP FOR AN AUTOMOBILE**

(71) Applicant: **Nissan Motor Co., Ltd.**, Yokohama, Kanagawa (JP)

(72) Inventors: **Kuniharu Seo**, Kanagawa (JP); **Satoru Hasegawa**, Kanagawa (JP)

(73) Assignee: **Nissan Motor Co., Ltd.**, Yokohama (JP)

(**) Term: **15 Years**

(21) Appl. No.: **29/568,910**

(22) Filed: **Jun. 22, 2016**

(30) **Foreign Application Priority Data**

Dec. 23, 2015 (JP) 2015-028612

(51) **LOC (11) Cl.** **26-06**

(52) **U.S. Cl.**
USPC **D26/28**

(58) **Field of Classification Search**
USPC D26/28-36; 362/80-83, 267-269, 362/459-468, 475-478, 485-487
(Continued)

(56) **References Cited**

U.S. PATENT DOCUMENTS

D655,429 S * 3/2012 Fushimi D26/28
D690,850 S * 10/2013 Hanaoka D26/28
(Continued)

FOREIGN PATENT DOCUMENTS

JP D1304225 S 6/2007
JP D1336311 S 7/2008
(Continued)

Primary Examiner — Marcus Jackson
(74) *Attorney, Agent, or Firm* — Global IP Counselors, LLP

(57) **CLAIM**

The ornamental design for a rear combination lamp for an automobile, as shown and described.

DESCRIPTION

FIG. 1 is a front elevational view of a rear combination lamp for an automobile in accordance with a first embodiment of our new design;

FIG. 2 is a rear elevational view of the rear combination lamp for an automobile in accordance with the first embodiment of our new design of FIG. 1;

FIG. 3 is a top plan view of the rear combination lamp for an automobile in accordance with the first embodiment of our new design of FIGS. 1 and 2;

FIG. 4 is a bottom plan view of the rear combination lamp for an automobile in accordance with the first embodiment of our new design of FIGS. 1 to 3;

FIG. 5 is a right side elevational view of the rear combination lamp for an automobile in accordance with the first embodiment of our new design of FIGS. 1 to 4;

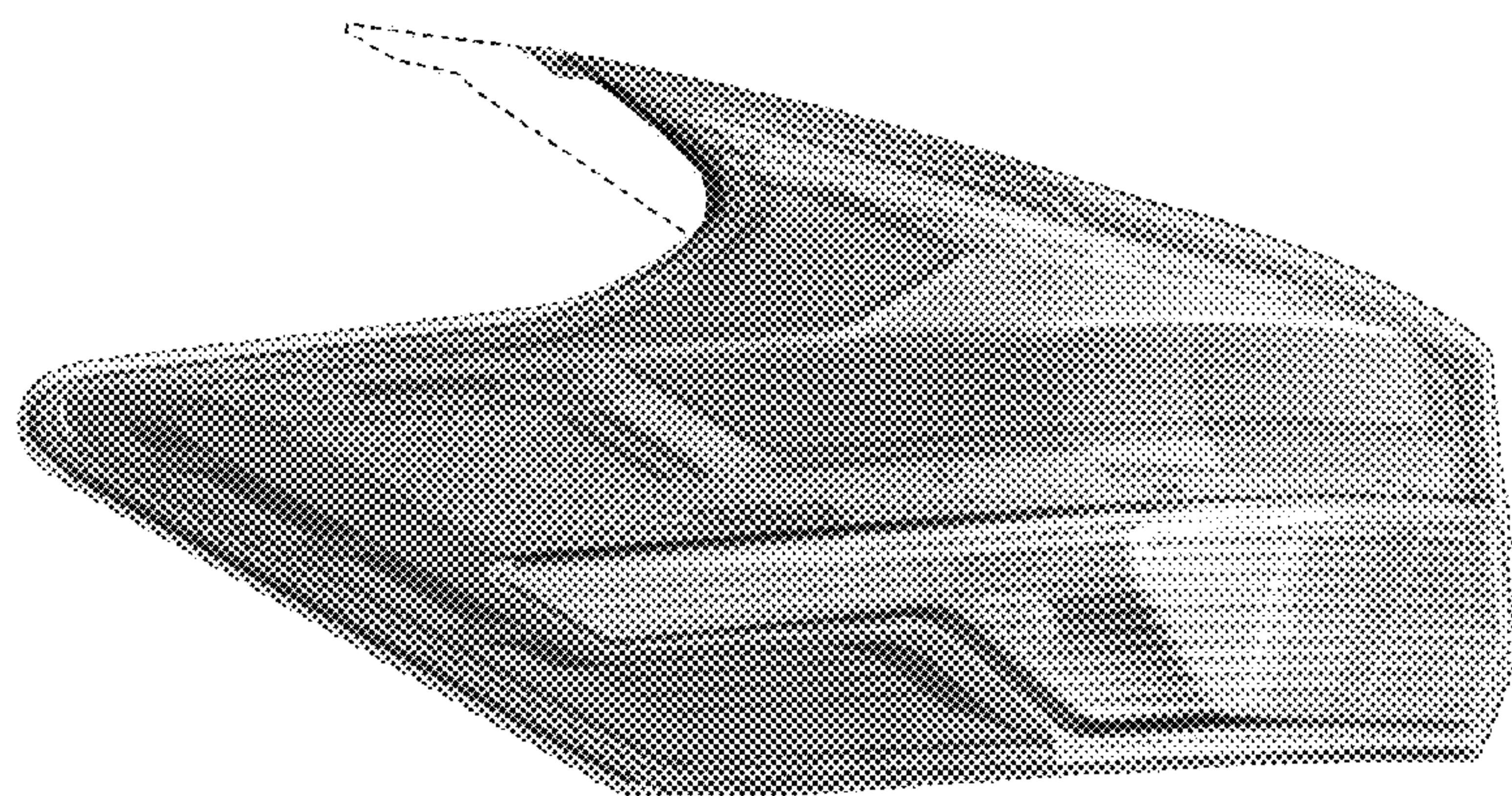
FIG. 6 is a left side elevational view of the rear combination lamp for an automobile in accordance with the first embodiment of our new design of FIGS. 1 to 5; and,

FIG. 7 is a front side perspective view of the rear combination lamp for an automobile in accordance with the first embodiment of our new design of FIGS. 1 to 6.

The rear combination lamp for an automobile is configured to be mounted to an automobile. The mounting structure and support structure of the rear combination lamp, shown in broken lines in FIGS. 1 to 7, form no part of the claimed design since the mounting structure and support structure are hidden when the rear combination lamp is mounted to the automobile.

In addition, the appearance of the rear side structures and inside structures of the rear combination lamp as shown in broken lines in FIGS. 2 to 6 is for purpose of illustrating the boundaries of the exterior surface of the outside of the rear combination lamp, and forms no part of the claimed design. A second embodiment of our new design is identical to the first embodiment except that the second embodiment of our

(Continued)



new design includes the mirror image of the rear combination lamp shown in FIGS. 1 to 7.

1 Claim, 7 Drawing Sheets

(58) Field of Classification Search

CPC F21S 48/00; F21S 48/10; F21S 48/115;
 F21S 48/1233; F21S 48/1266; F21S
 48/1388; F21S 48/2268; F21V 21/04;
 B60Q 9/13; B60Q 9/135; B60Q 9/1375

See application file for complete search history.

(56) References Cited

U.S. PATENT DOCUMENTS

D692,599 S * 10/2013 Kim D26/28
 D701,631 S * 3/2014 Goto D26/28
 D716,478 S * 10/2014 Loeb D26/28
 D728,137 S * 4/2015 Ha D26/28

FOREIGN PATENT DOCUMENTS

JP	D1403147 S	12/2010
JP	D1403156 S	12/2011
JP	D1403172 S	12/2011
JP	D1419129 S	7/2012
JP	D1445533 S	7/2012
JP	D1445536 S	7/2012
JP	D1454376 S	11/2012
JP	D1455399 S	11/2012
JP	D1461644 S	2/2013
JP	D1461953 S	2/2013
JP	D1485584 S	12/2013
JP	D1498533 S	6/2014
JP	D1500453 S	6/2014
JP	D1501245 S	6/2014
JP	D1517665 S	2/2015
JP	D1517667 S	2/2015
JP	D1501253 S	6/2015
JP	D1475947 S	7/2015
JP	D1517397 S	2/2016
JP	D1550044 S	5/2016
JP	D1550900 S	6/2016
JP	D1546052 S	3/2017
JP	D1538318 S	11/2017

* cited by examiner

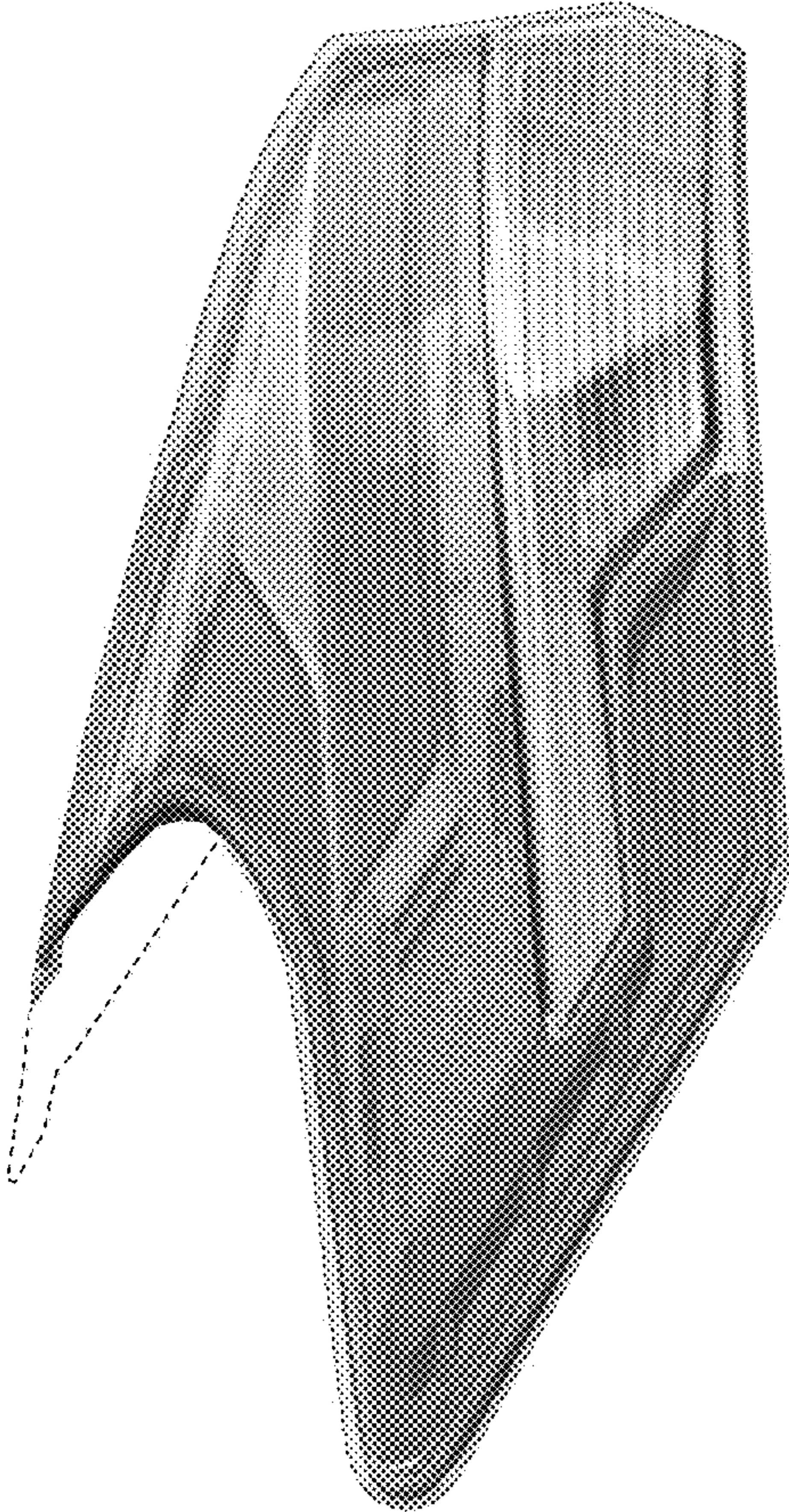


FIG. 1



FIG. 2

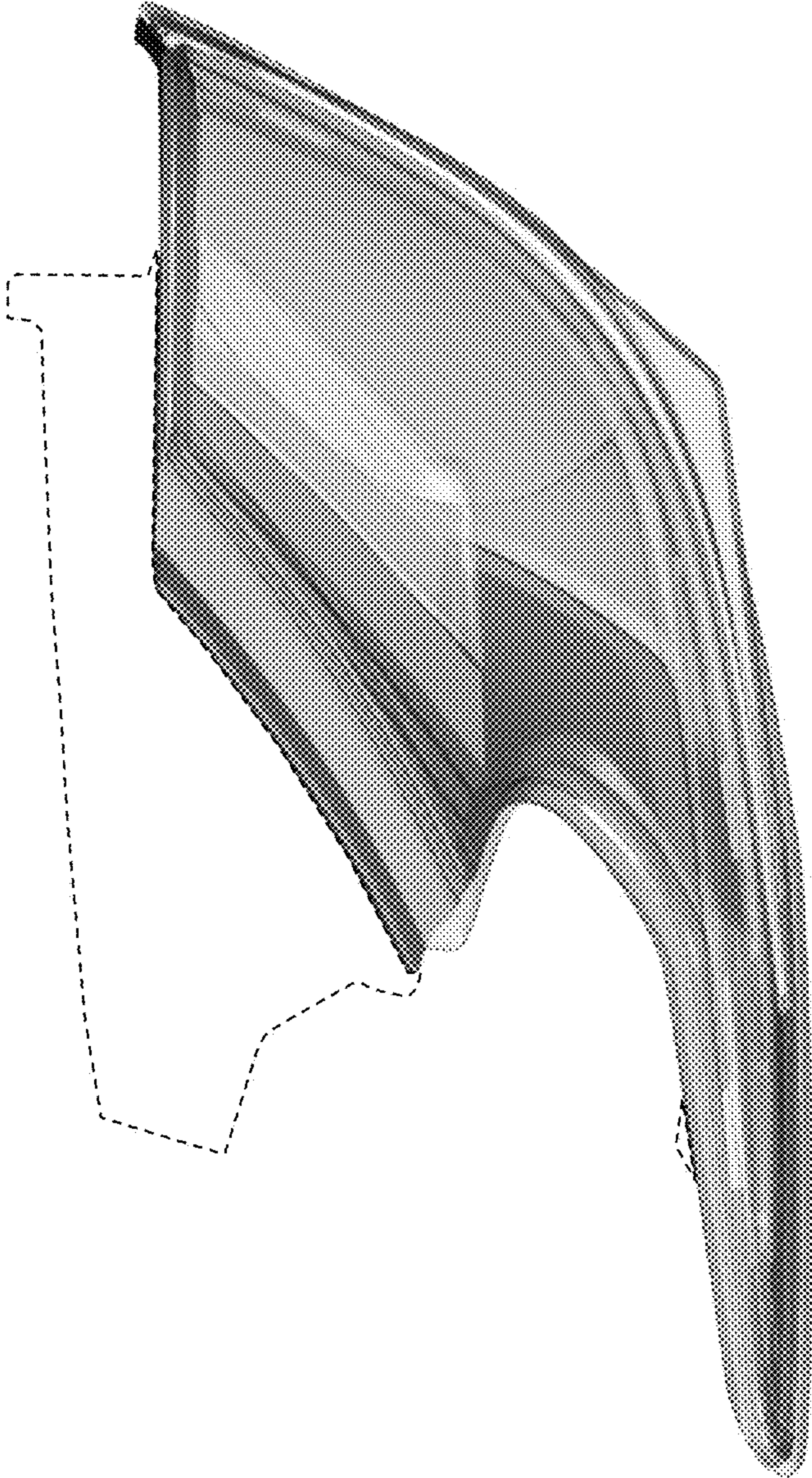


FIG. 3

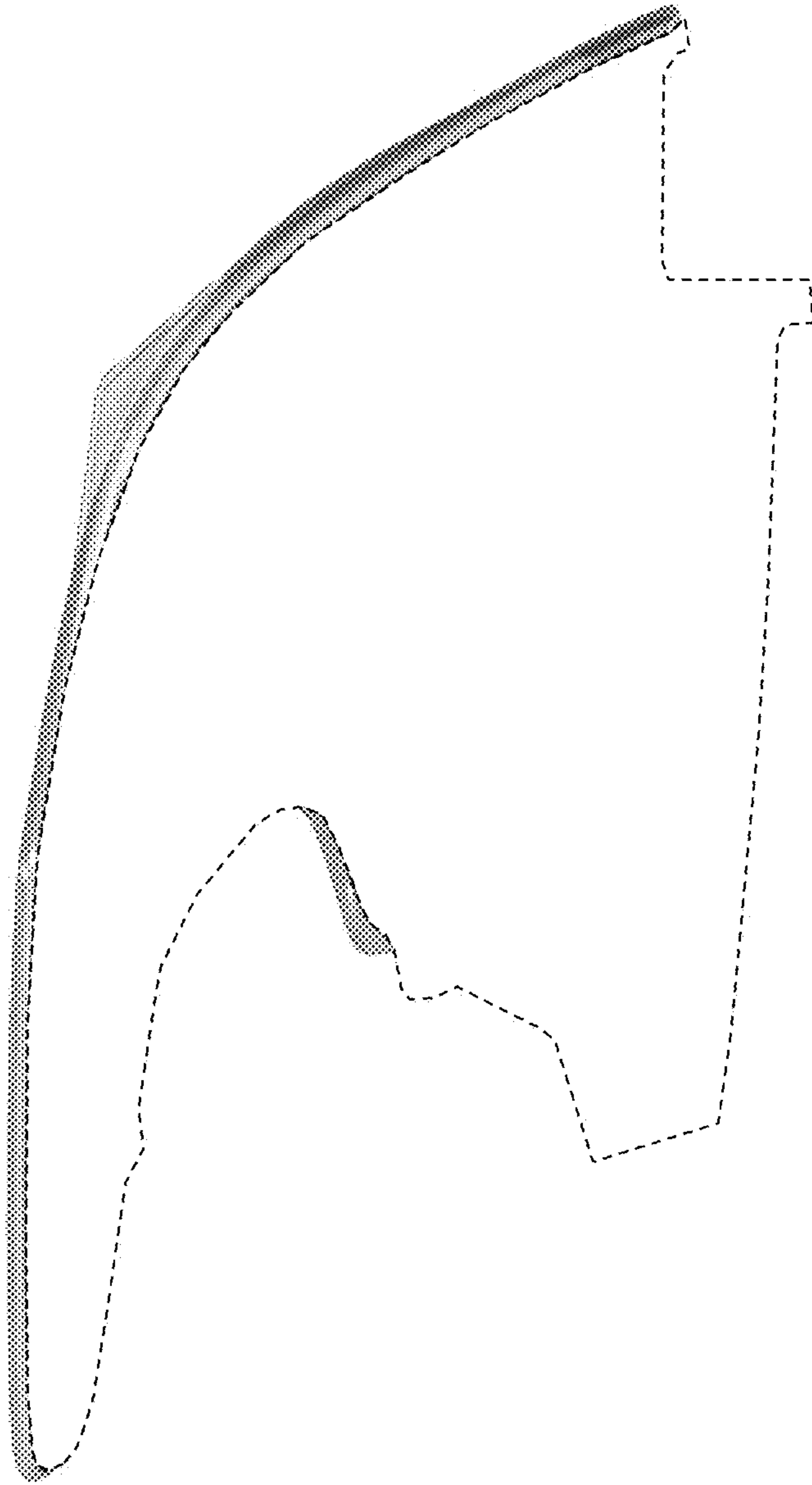


FIG. 4

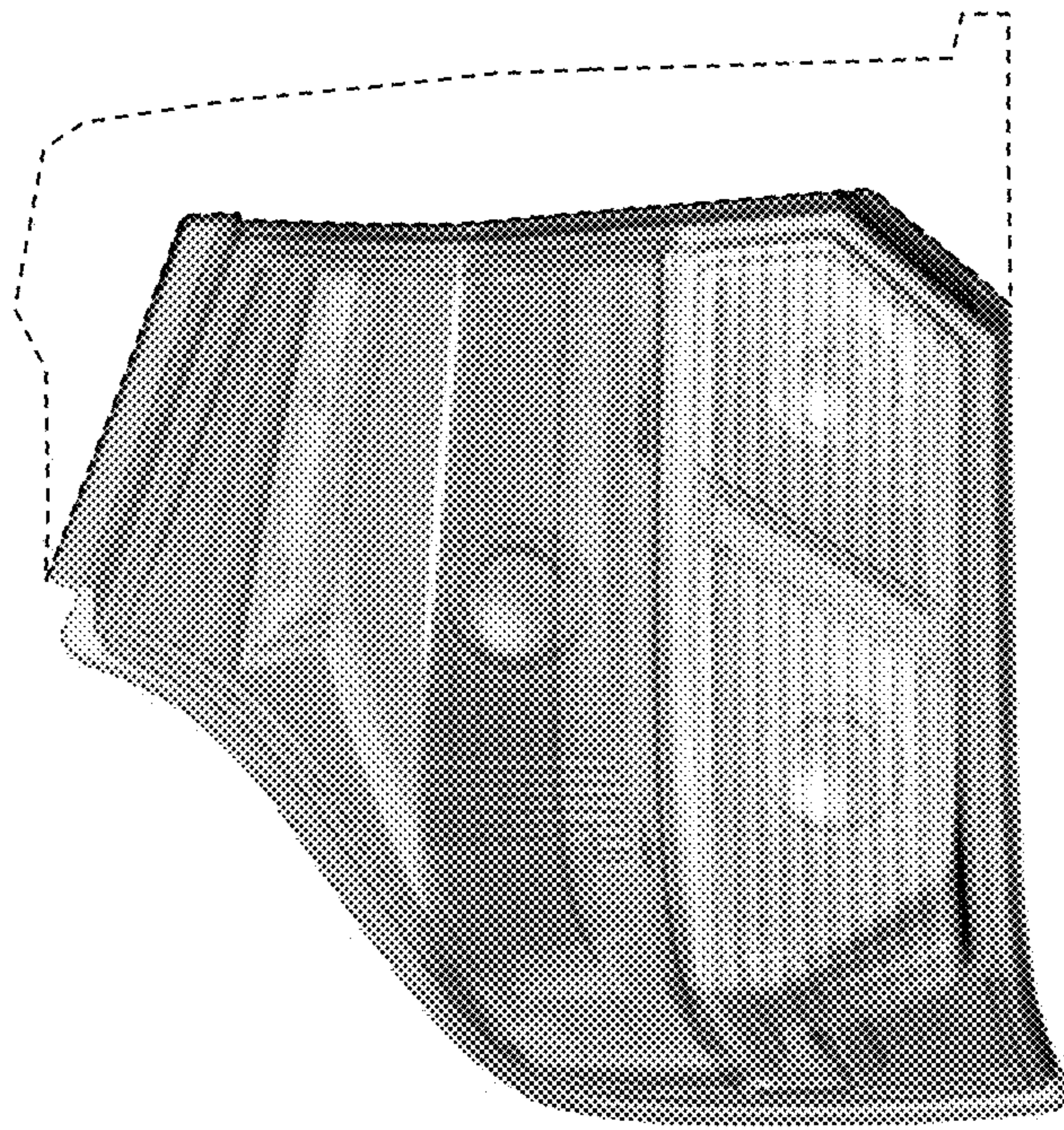


FIG. 5

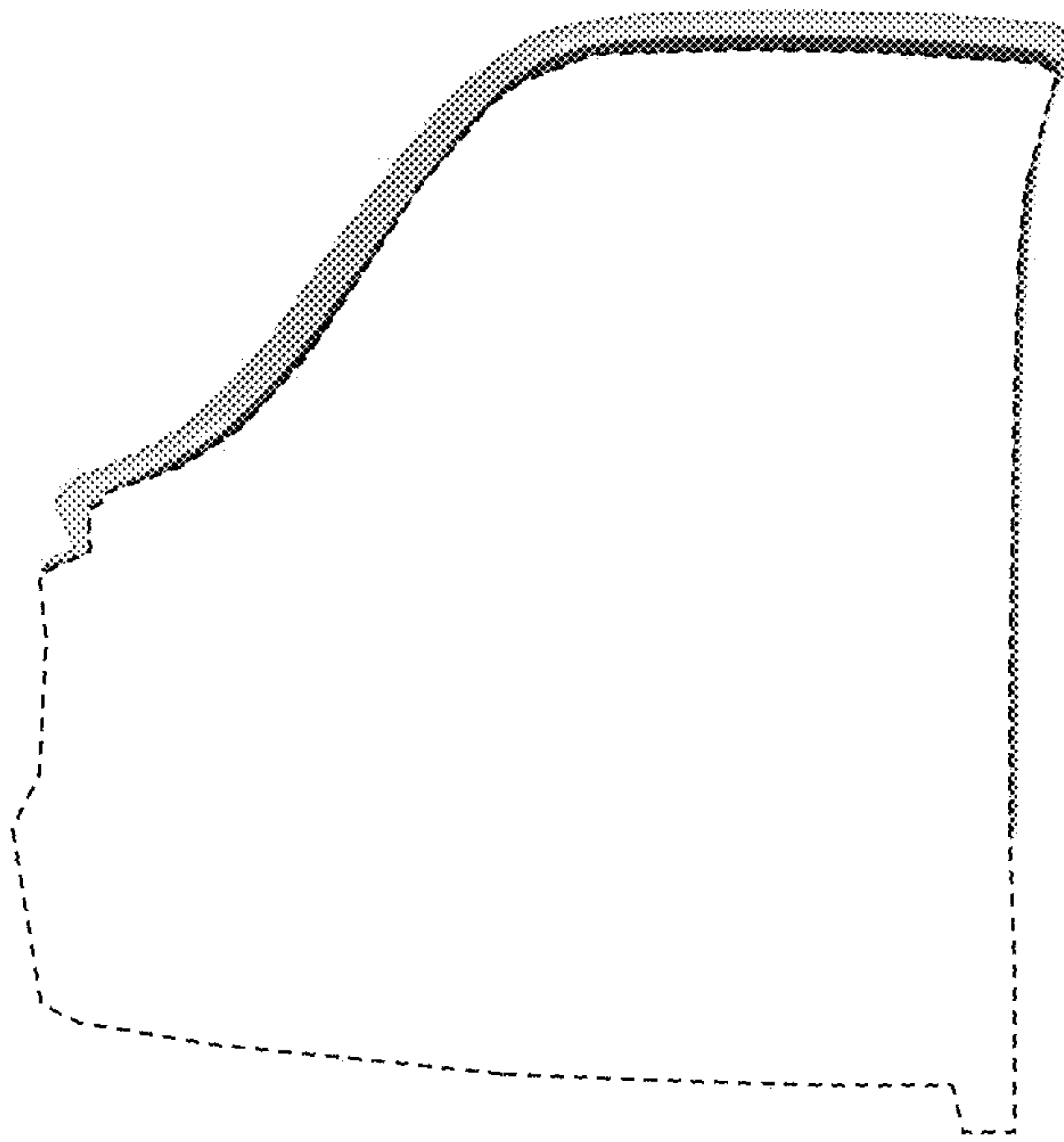


FIG. 6

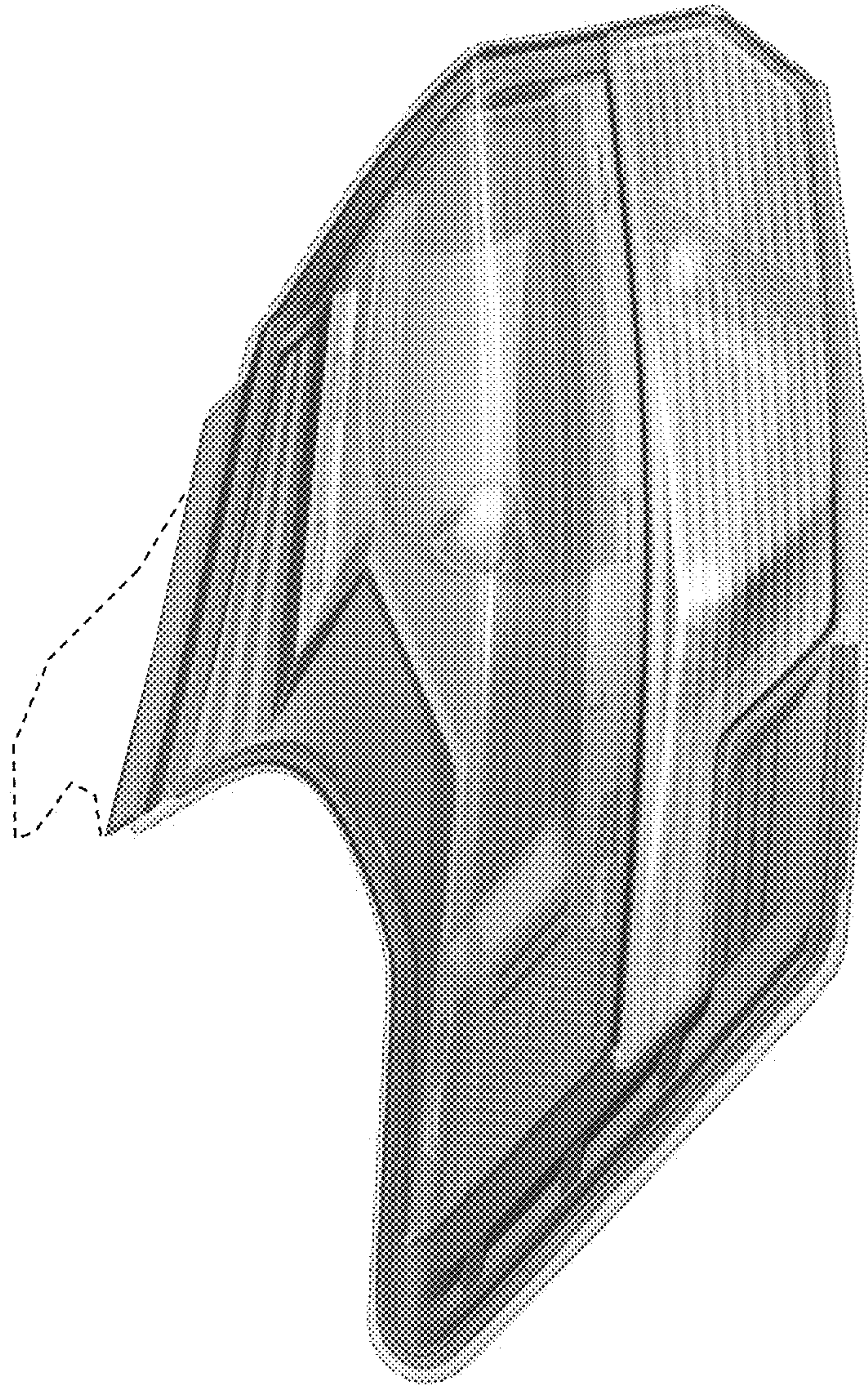


FIG. 7