



US00D812257S

(12) **United States Design Patent**
Alvarado

(10) **Patent No.:** **US D812,257 S**
(45) **Date of Patent:** **** Mar. 6, 2018**

(54) **PORTABLE LIGHT FOR A SKATEBOARD**

D551,138 S * 9/2007 Storer D12/171
D570,509 S * 6/2008 Logan D26/28
D656,258 S * 3/2012 Georgitsis B60Q 1/0483
D26/31

(71) Applicant: **Nery Alvarado**, Redwood City, CA
(US)

(72) Inventor: **Nery Alvarado**, Redwood City, CA
(US)

(**) Term: **15 Years**

(21) Appl. No.: **29/555,198**

(22) Filed: **Feb. 19, 2016**

(51) **LOC (11) Cl.** **26-06**

(52) **U.S. Cl.**
USPC **D26/28**

(58) **Field of Classification Search**
USPC D26/28-36; 362/80-83, 267-269,
362/459-468, 475-478, 485-487
CPC F21S 48/00; F21S 48/10; F21S 48/115;
F21S 48/1233; F21S 48/1266; F21S
48/1388; F21S 48/2268; F21V 21/04
See application file for complete search history.

(56) **References Cited**

U.S. PATENT DOCUMENTS

D467,018 S * 12/2002 Shih D26/28
D499,198 S * 11/2004 Cowan D26/31

* cited by examiner

Primary Examiner — Marcus Jackson

(74) *Attorney, Agent, or Firm* — Berggren Inc.

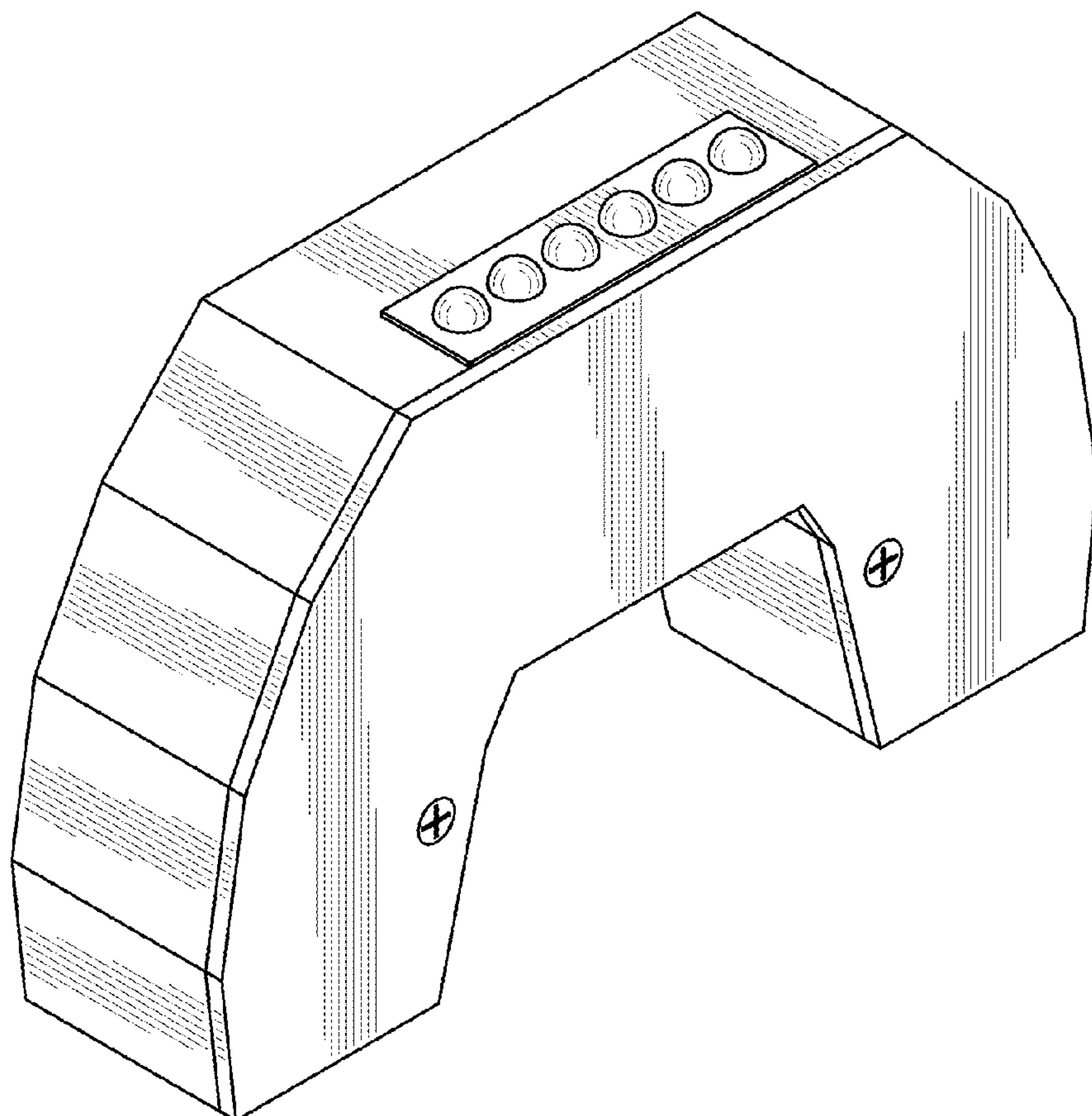
(57) **CLAIM**

The ornamental designs for a portable light for a skateboard,
as shown and described.

DESCRIPTION

FIG. 1 is an isometric view of the portable light for a skateboard;
FIG. 2 is a front view of the portable light for a skateboard;
FIG. 3 is a back view of the portable light for a skateboard;
FIG. 4 is a left view of the portable light for a skateboard;
FIG. 5 is a right view of the portable light for a skateboard;
FIG. 6 is a top view of the portable light for a skateboard;
and,
FIG. 7 is a bottom view of the portable light for a skateboard.

1 Claim, 7 Drawing Sheets



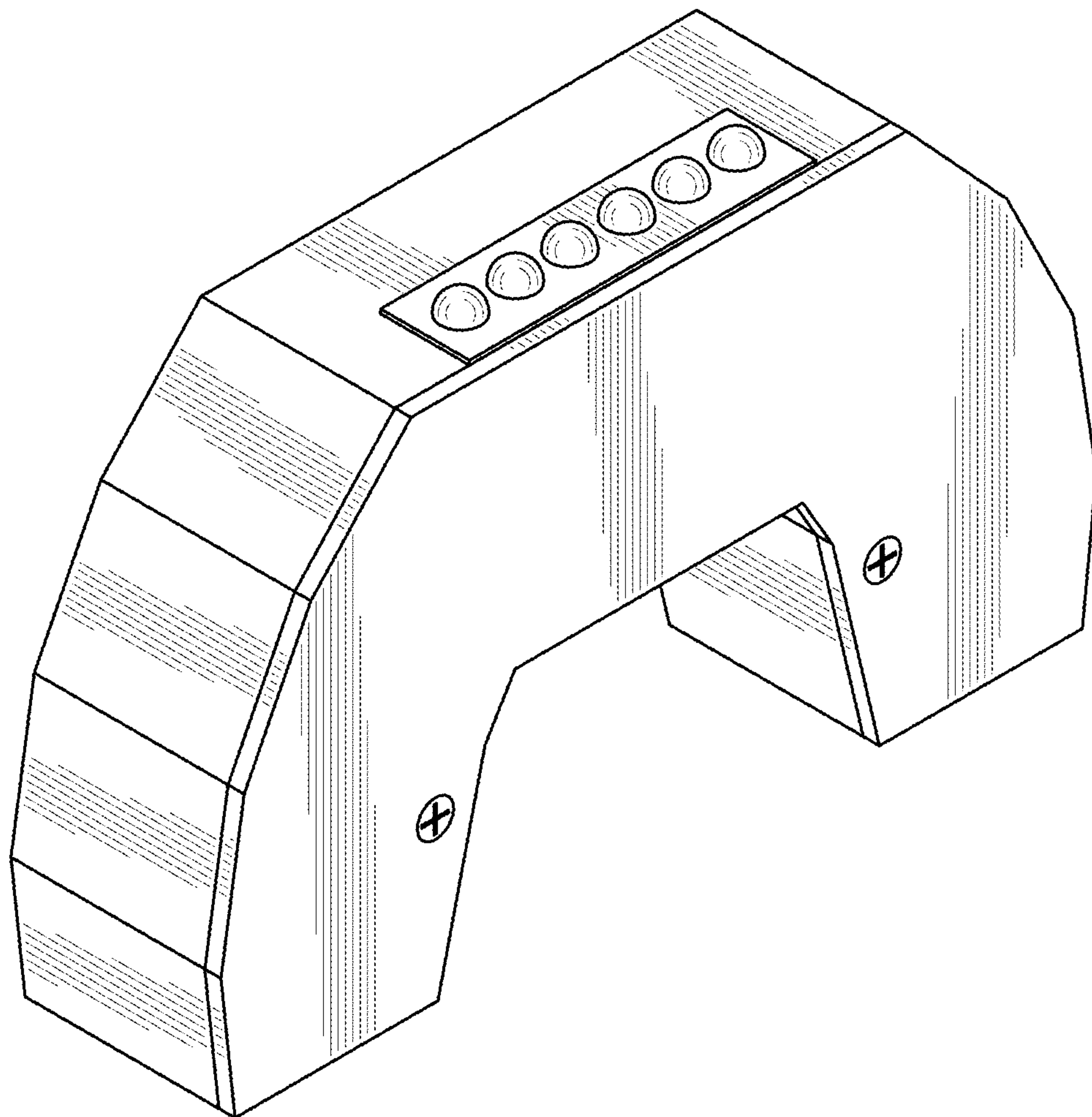


FIG. 1

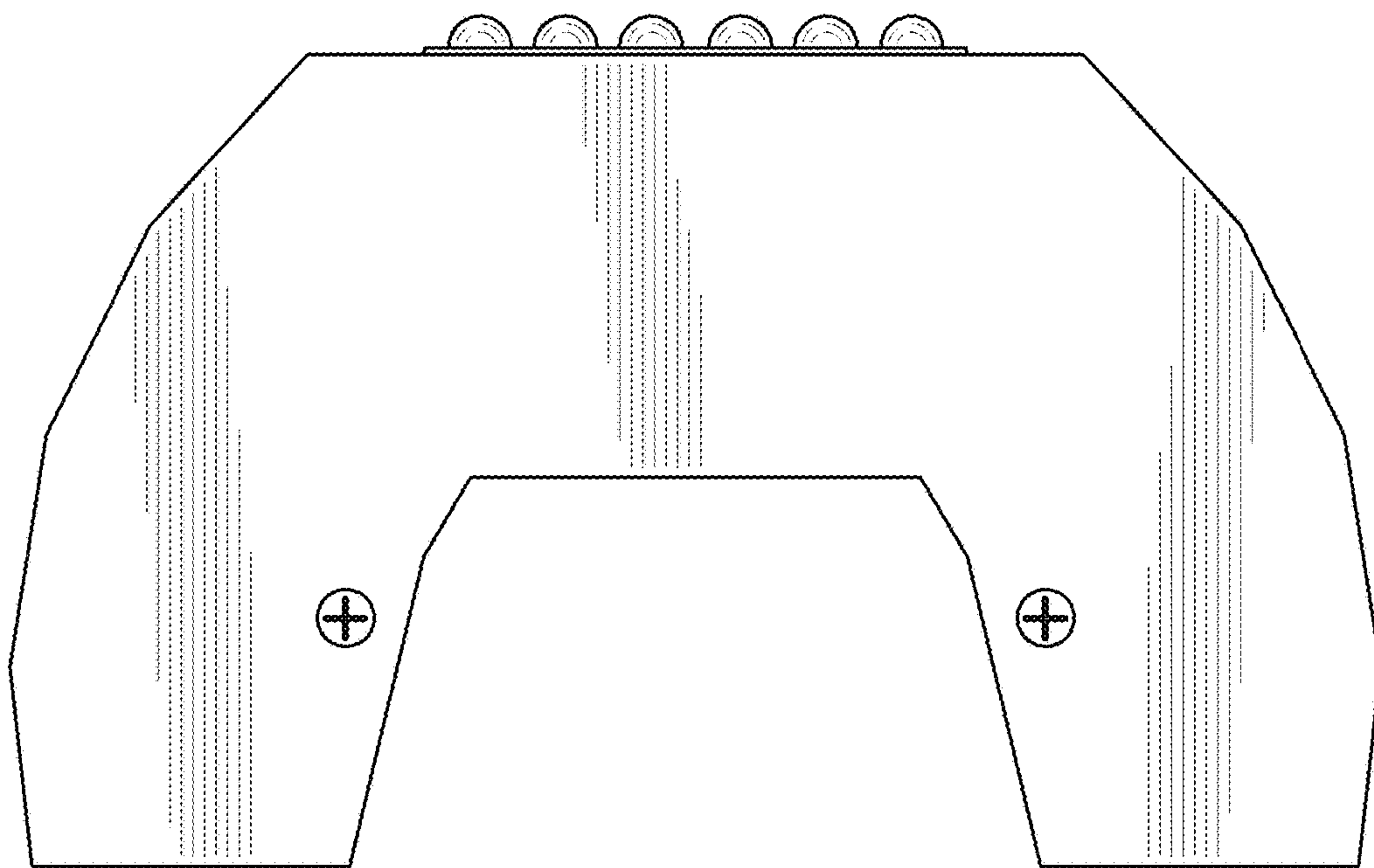


FIG. 2

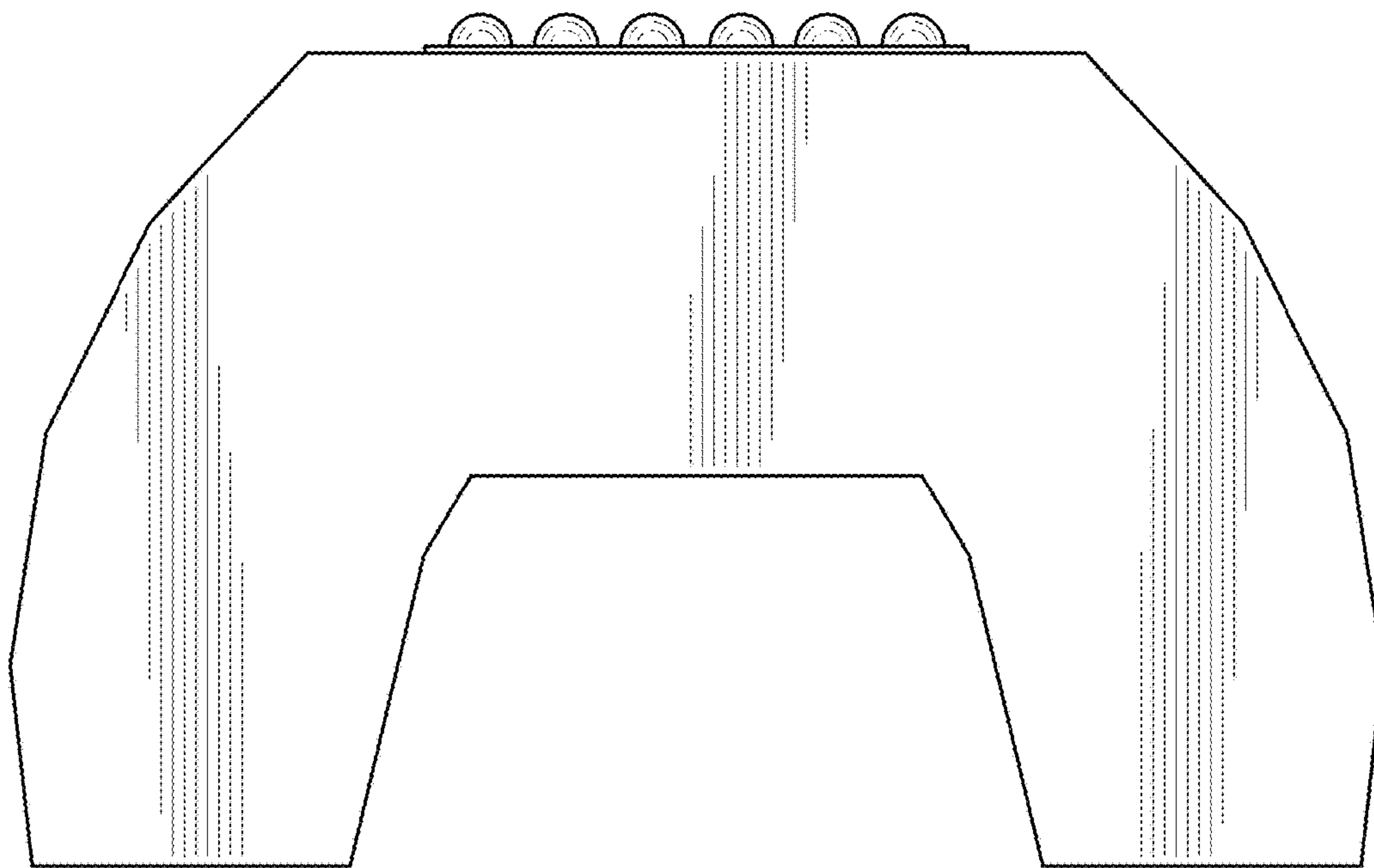


FIG. 3

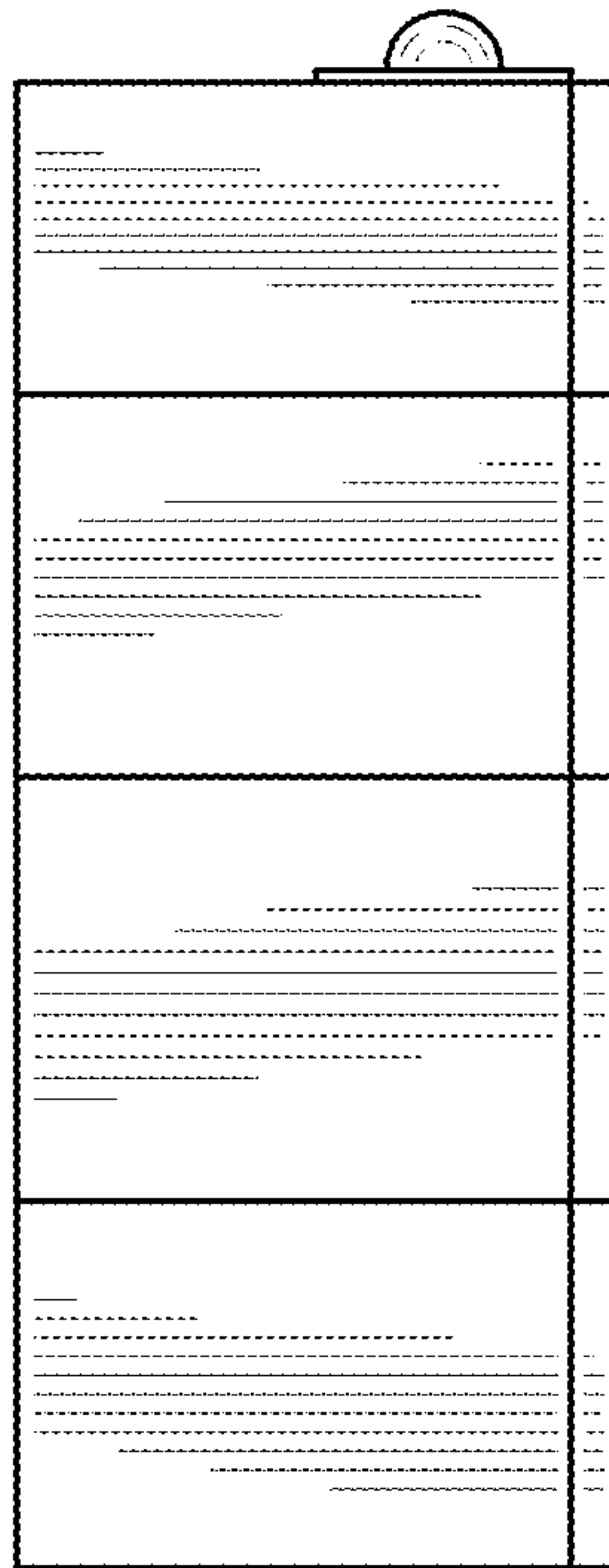


FIG. 4

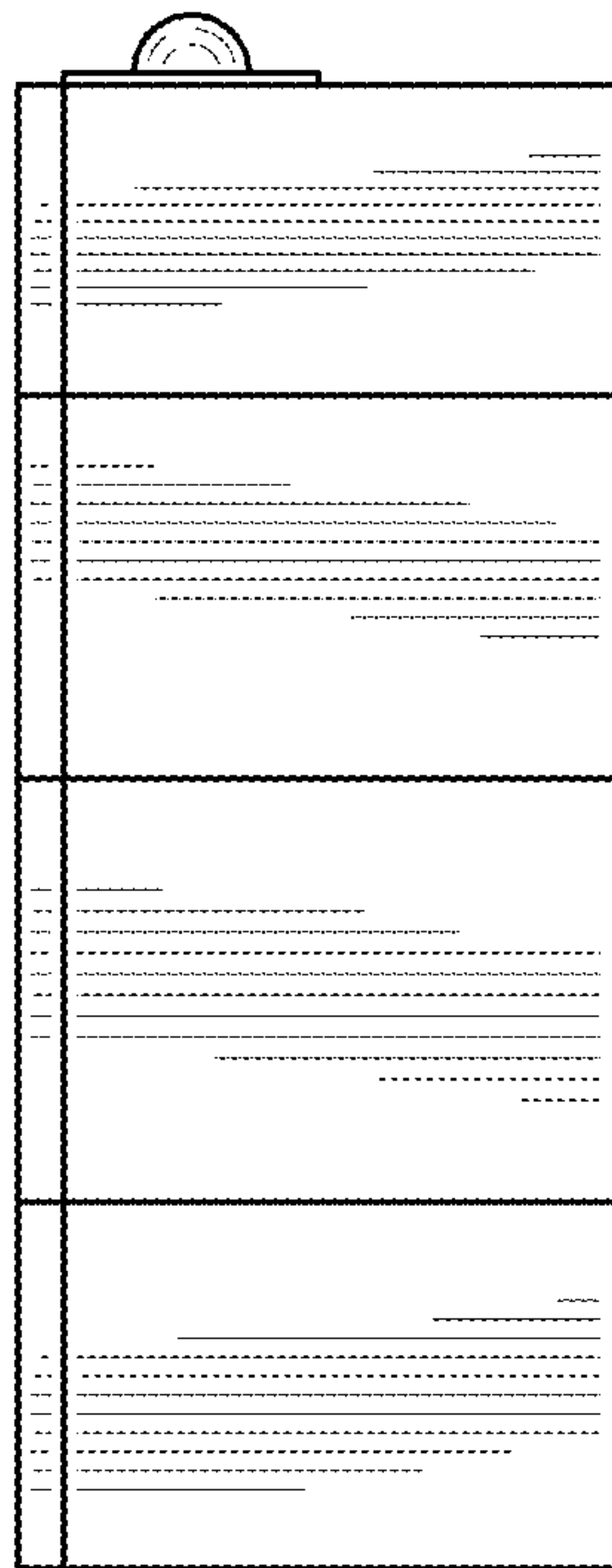


FIG. 5

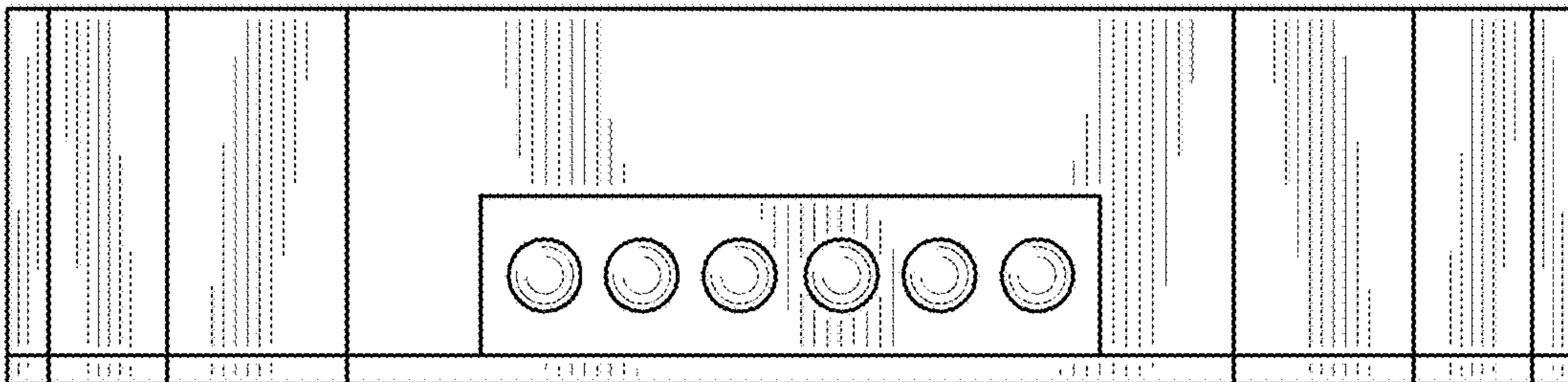


FIG. 6

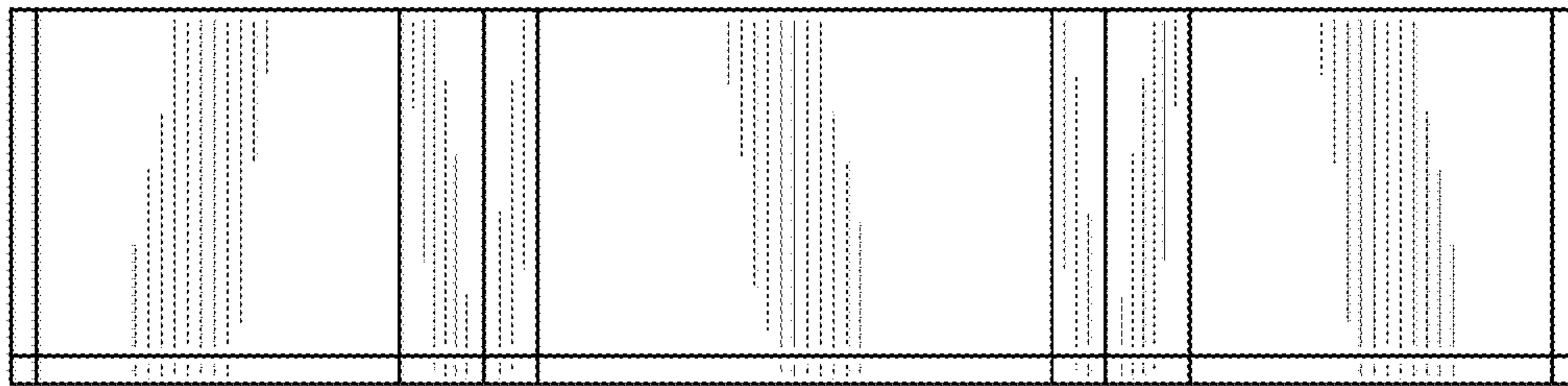


FIG. 7