



US00D812255S

(12) **United States Design Patent**
Li

(10) **Patent No.:** **US D812,255 S**

(45) **Date of Patent:** **** Mar. 6, 2018**

- (54) **ELECTRONIC CANDLE WITH INTEGRATED ELECTRIC PLUG**
- (71) Applicant: **Xiaofeng Li**, Shenzhen (CN)
- (72) Inventor: **Xiaofeng Li**, Shenzhen (CN)
- (**) Term: **15 Years**
- (21) Appl. No.: **29/570,423**
- (22) Filed: **Jul. 7, 2016**
- (51) **LOC (11) Cl.** **26-05**
- (52) **U.S. Cl.**
USPC **D26/26**
- (58) **Field of Classification Search**
USPC D26/26, 24, 113, 118, 119, 120, 5, 6, 7;
D23/366, 367, 369; 362/640, 641, 642,
362/643, 644, 650, 651, 652, 653, 659
CPC F21S 8/035; F21V 23/06; F21V 23/0442;
F21W 2121/00; H01R 2103/00
See application file for complete search history.

(56) **References Cited**

U.S. PATENT DOCUMENTS

- 2,509,220 A * 5/1950 Desmond F21S 6/00
362/569
- D231,854 S * 6/1974 Mellyn D26/26
- D269,954 S * 8/1983 Ohashi D10/111
- D471,654 S * 3/2003 Schenck D26/26
- D500,152 S * 12/2004 Stekelenburg D26/2
- D602,615 S * 10/2009 Liu D13/108

- D721,449 S * 1/2015 Chen D26/26
- D729,424 S * 5/2015 Li D26/26
- D747,509 S * 1/2016 Liang D26/110
- D751,230 S * 3/2016 Howard F21S 8/035
D26/26
- D760,424 S * 6/2016 Li D26/7
- D795,735 S * 8/2017 Li D11/121
- 2008/0158863 A1 * 7/2008 Tsai F21S 6/001
362/183

* cited by examiner

Primary Examiner — Angela J Lee

(74) *Attorney, Agent, or Firm* — Perkins Coie LLP

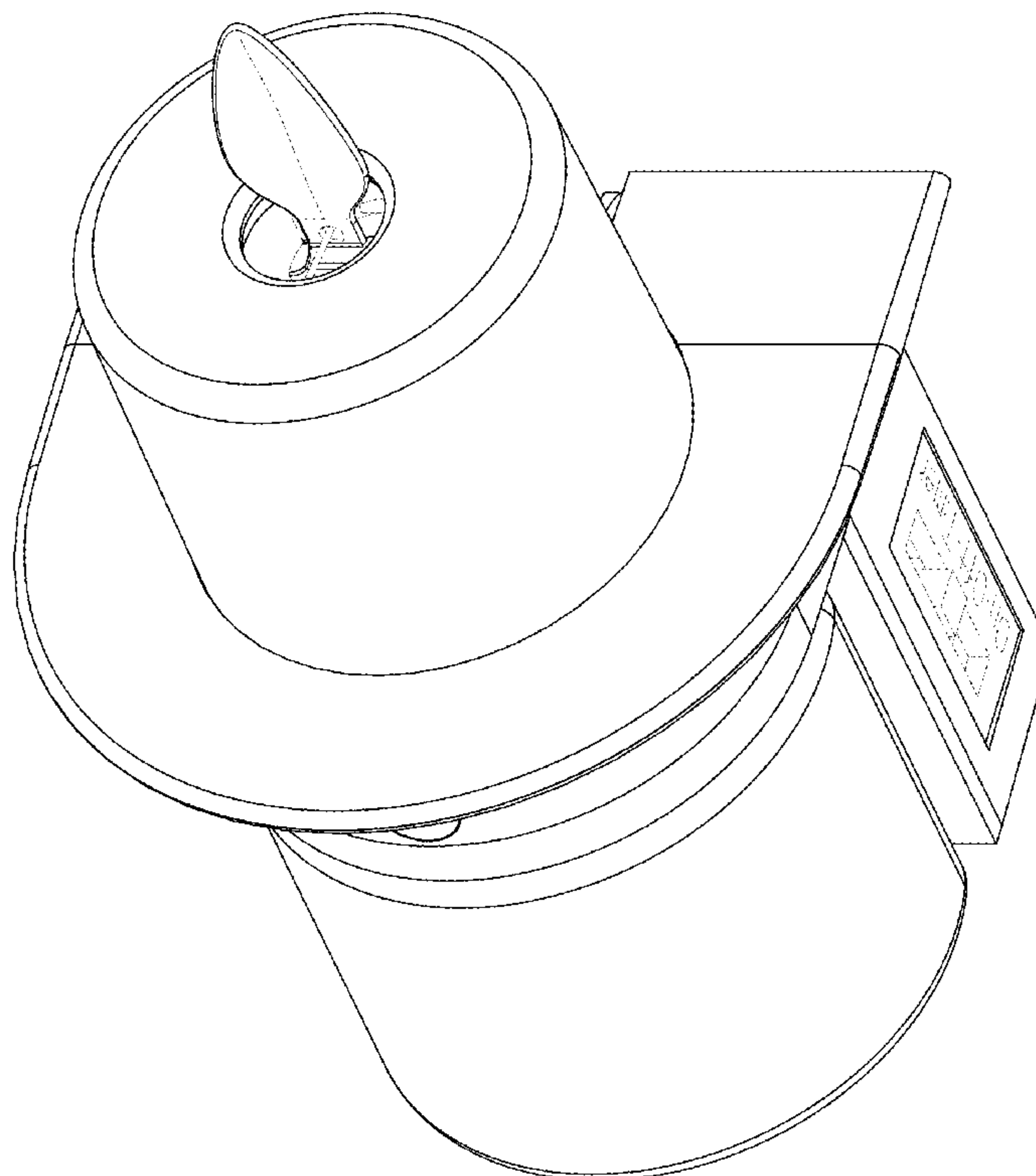
(57) **CLAIM**

The ornamental design for an electronic candle with integrated electric plug, as shown and described.

DESCRIPTION

FIG. 1 is an isometric view of top, front and right side of the electronic candle with integrated electric plug;
 FIG. 2 is an isometric view of top, back, and left side of the electronic candle of FIG. 1;
 FIG. 3 is a back view of the electronic candle of FIG. 1;
 FIG. 4 is a left side view of the electronic candle of FIG. 1;
 FIG. 5 is a front view of the electronic candle of FIG. 1;
 FIG. 6 is a top view of the electronic candle of FIG. 1; and,
 FIG. 7 is a bottom view of the electronic candle of FIG. 1.
 The broken-line disclosure represents portions of the electronic candle which form no part of the claimed design.

1 Claim, 7 Drawing Sheets



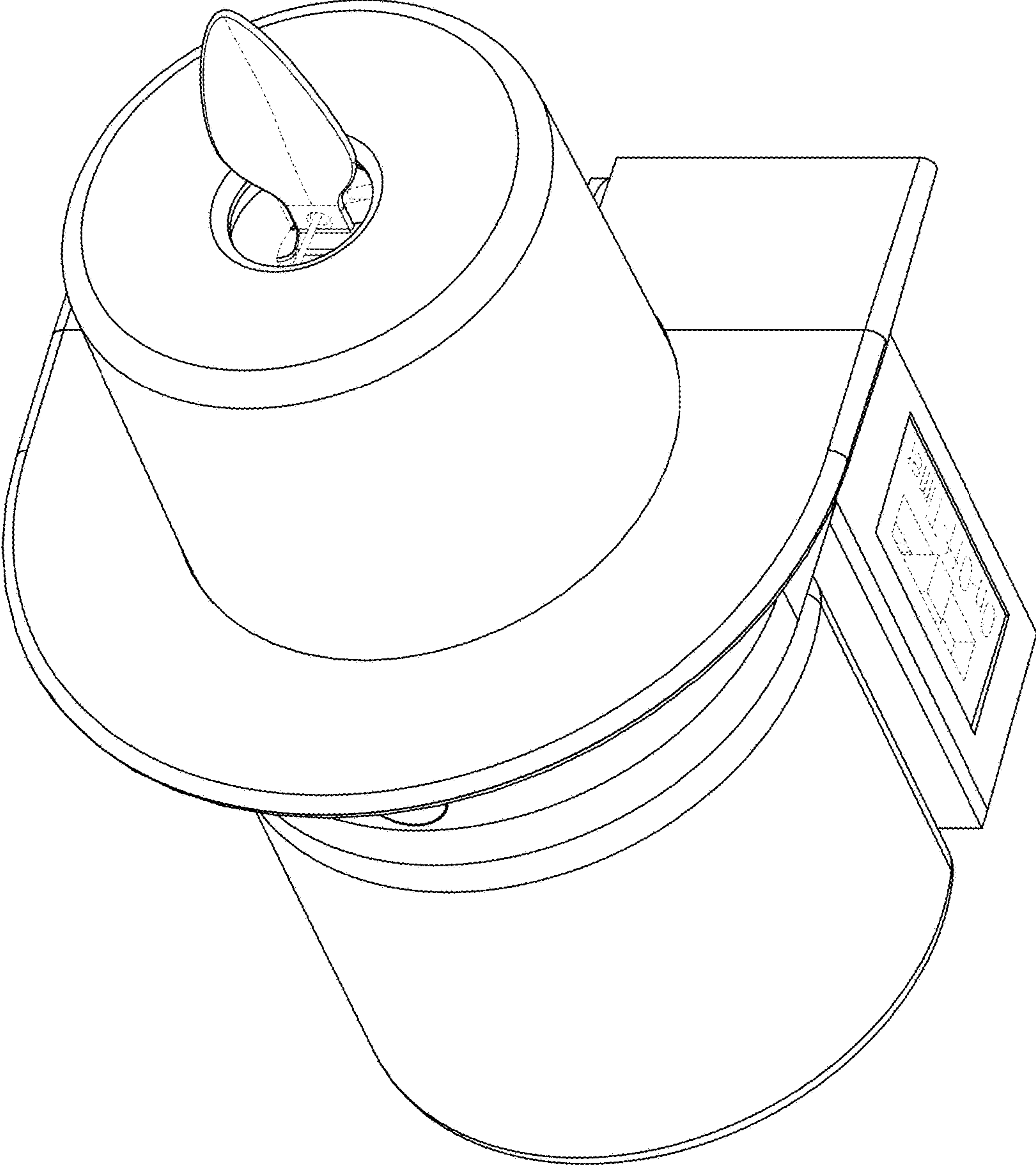


FIG. 1

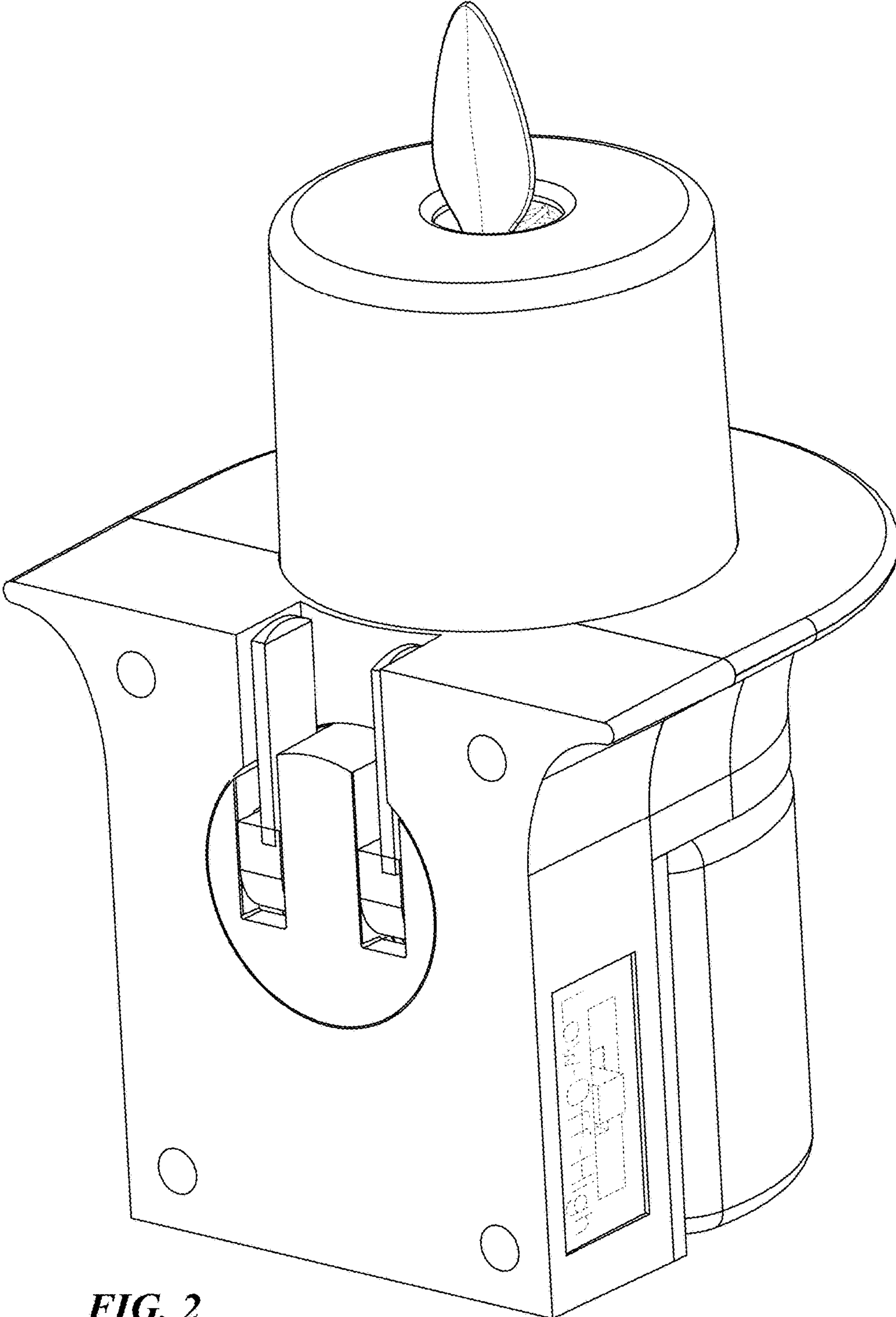


FIG. 2

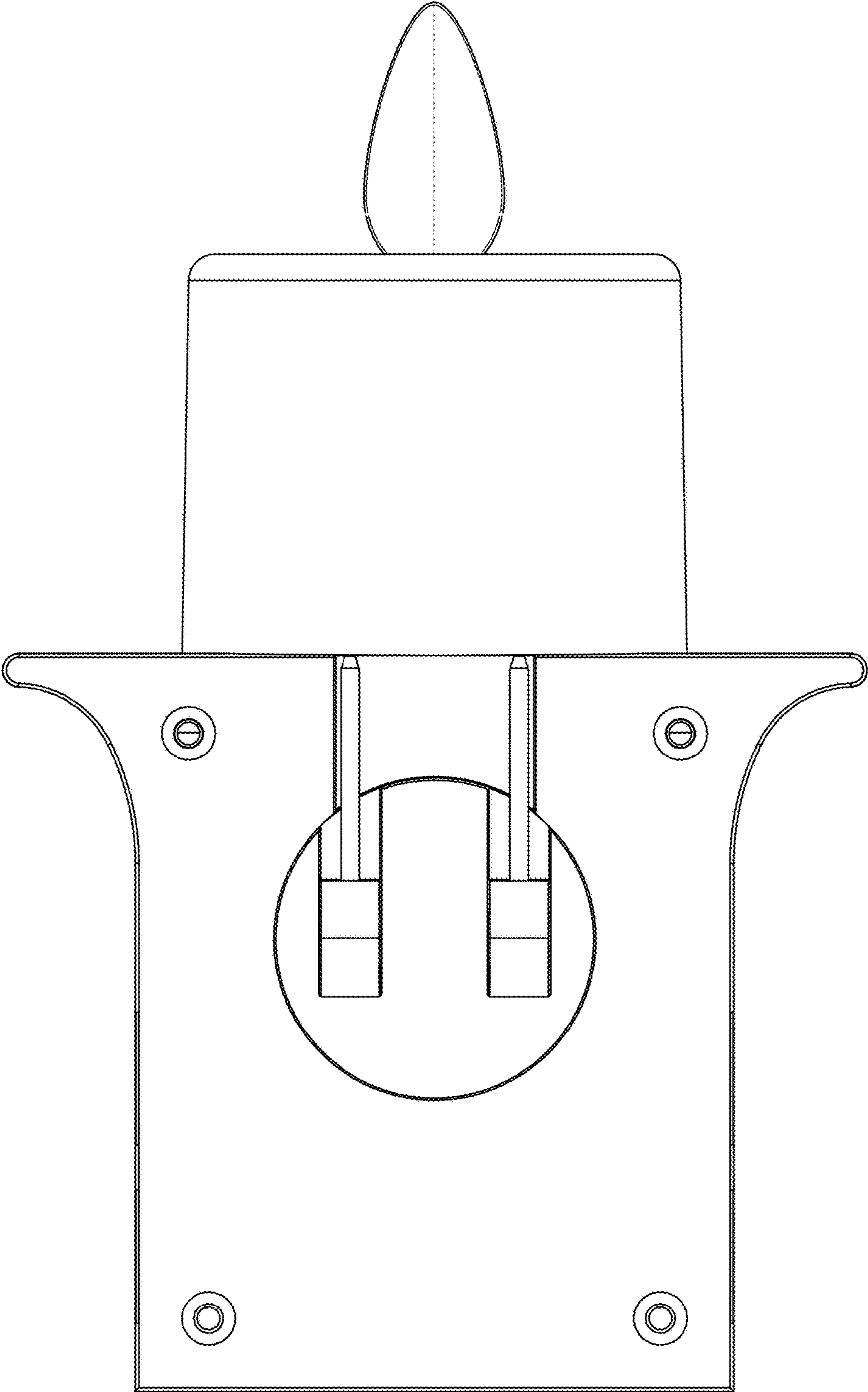


FIG. 3

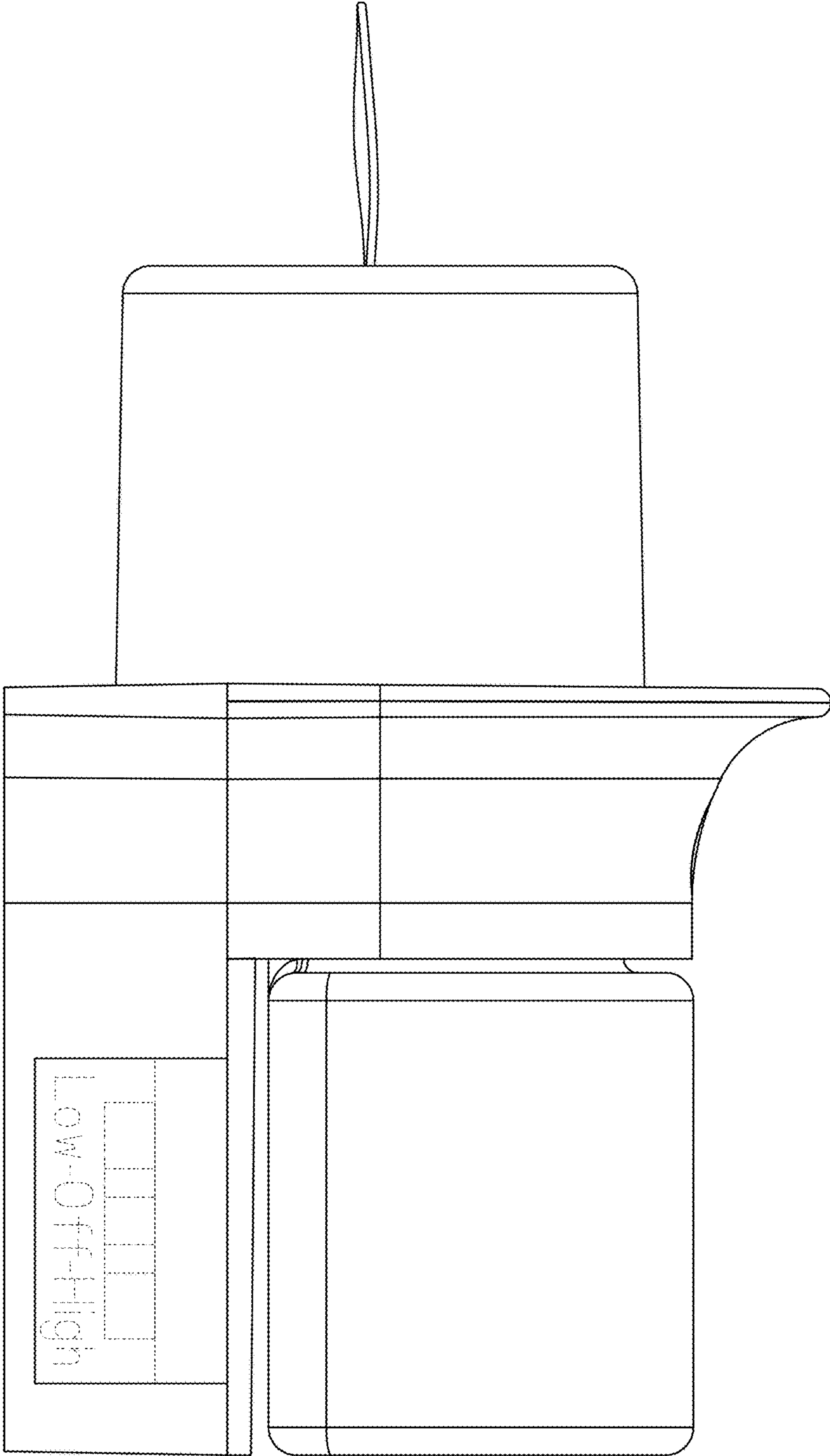


FIG. 4

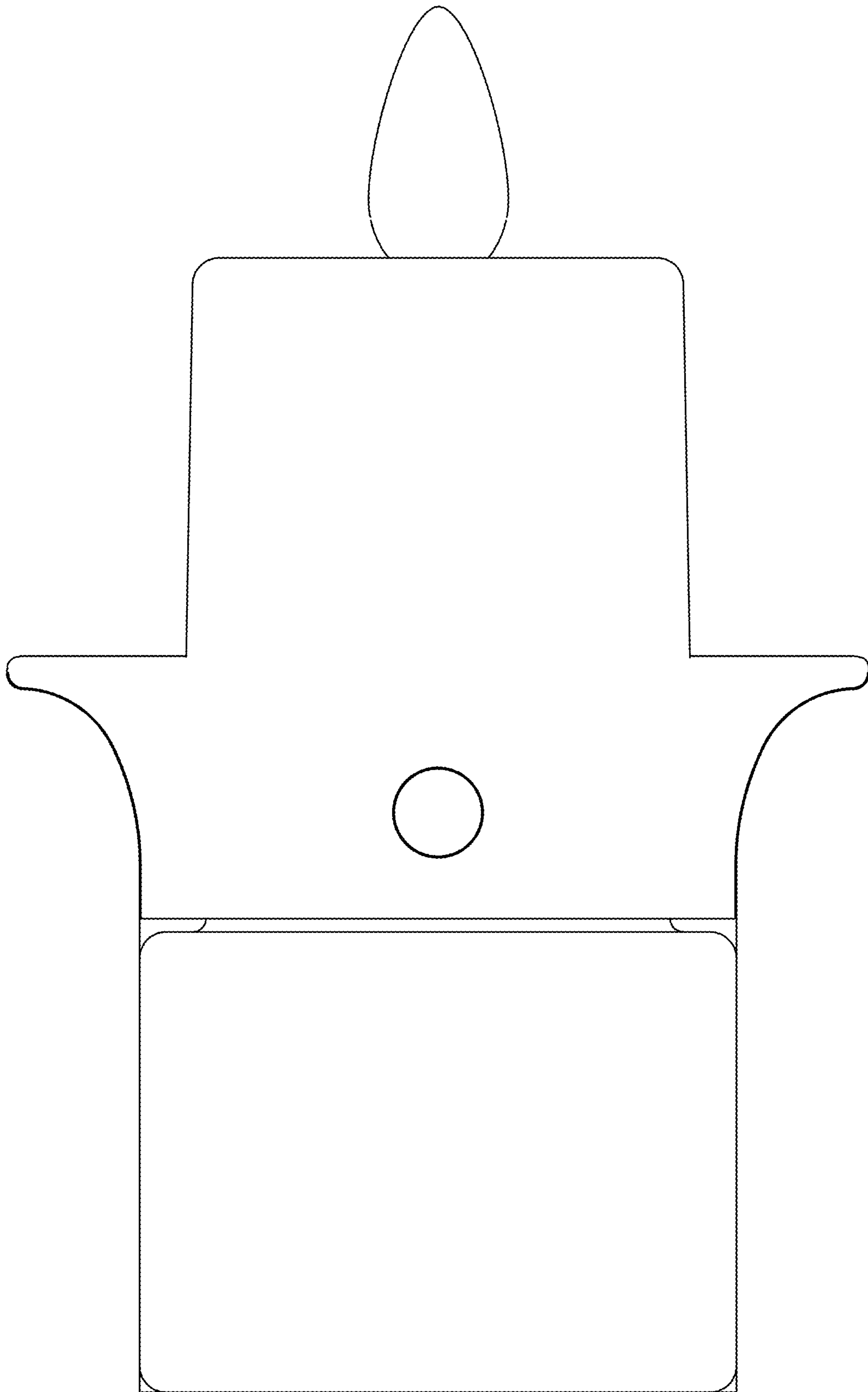


FIG. 5

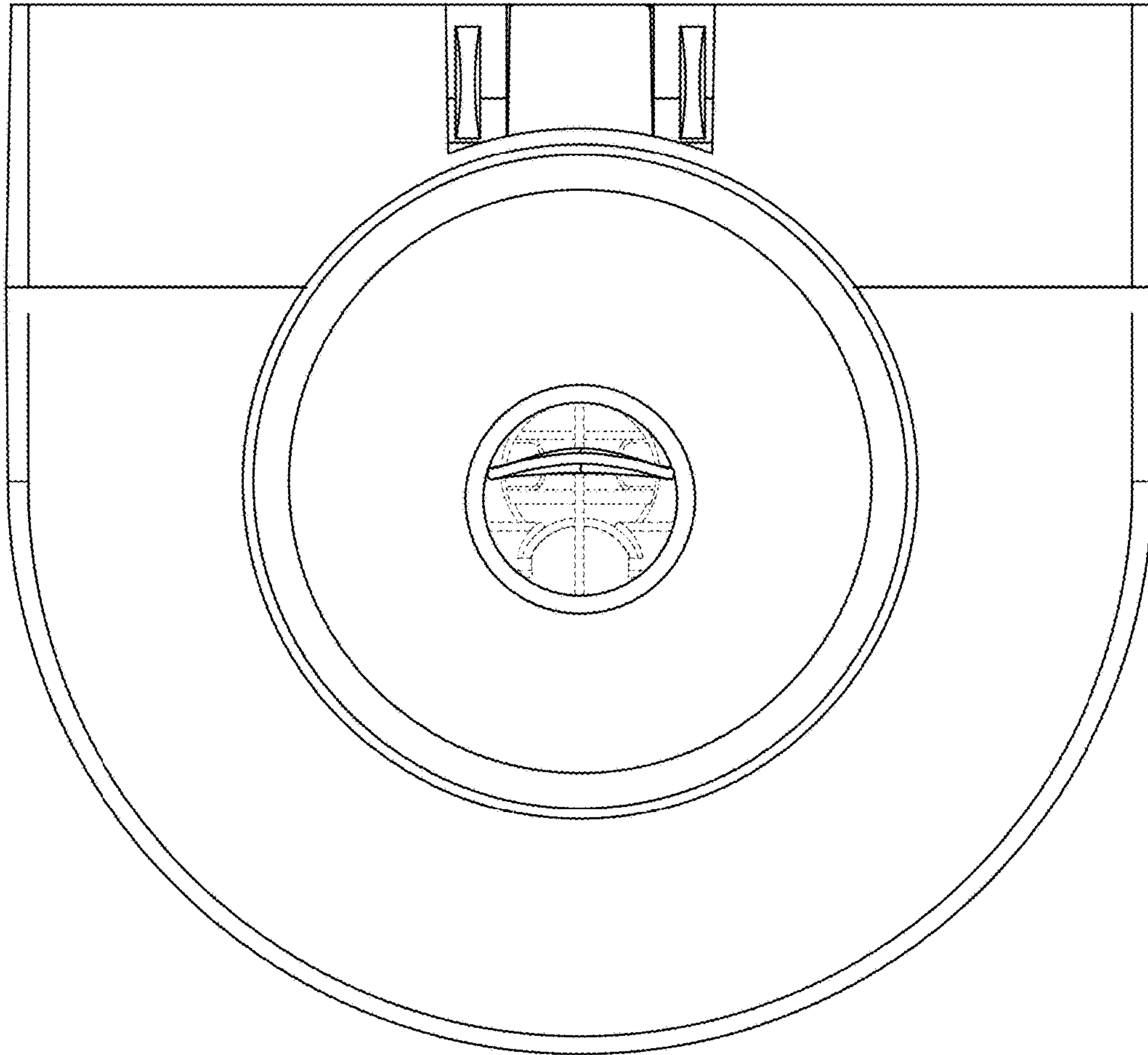


FIG. 6

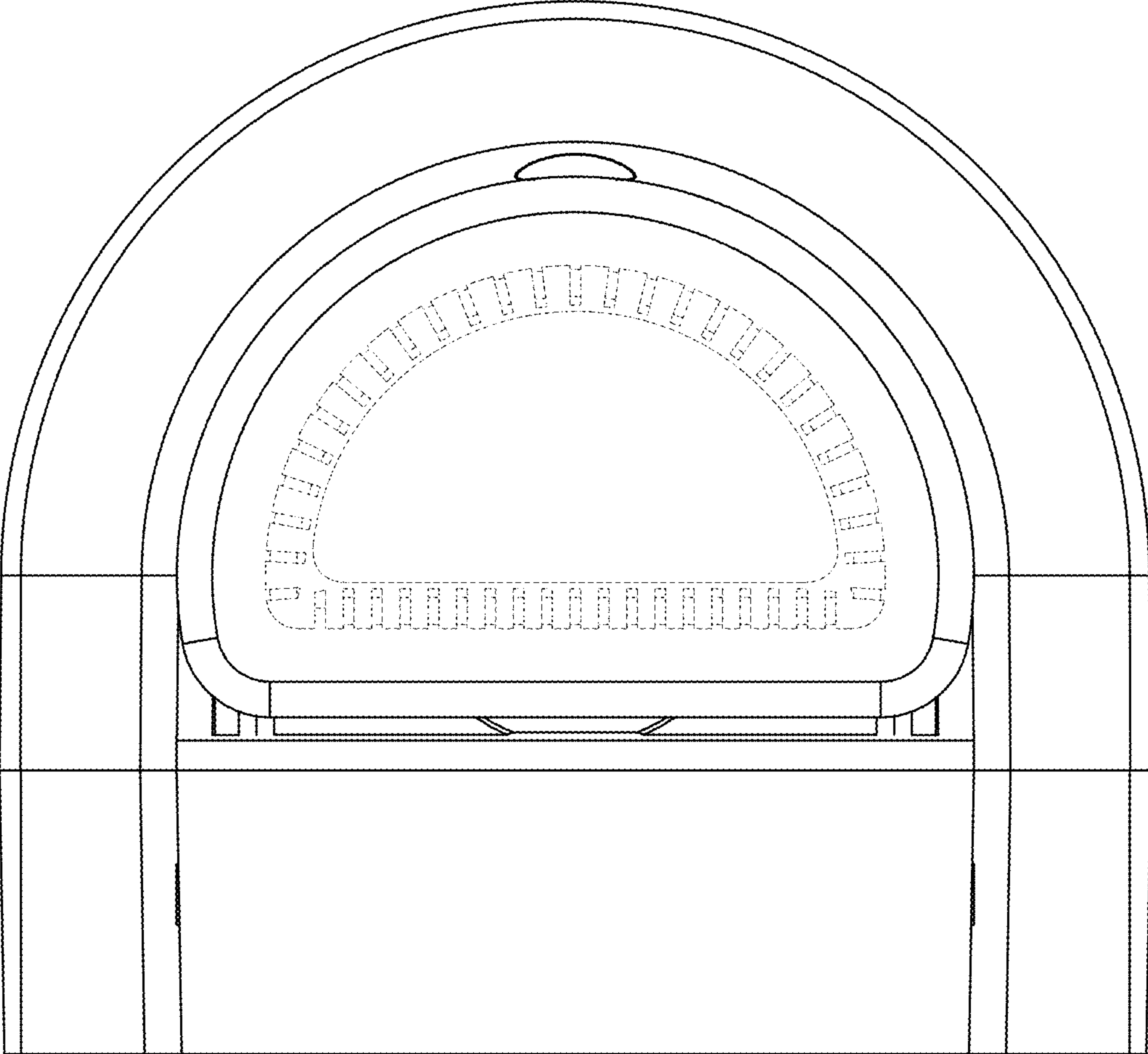


FIG. 7