



US00D812250S

(12) **United States Design Patent**
Coe

(10) **Patent No.:** **US D812,250 S**
(45) **Date of Patent:** **** Mar. 6, 2018**

(54) **LADDER RUNG DEVICE**
(71) Applicant: **James Coe**, Virginia Beach, VA (US)
(72) Inventor: **James Coe**, Virginia Beach, VA (US)
(**) Term: **15 Years**
(21) Appl. No.: **29/597,241**
(22) Filed: **Mar. 15, 2017**
(51) **LOC (11) Cl.** **25-04**
(52) **U.S. Cl.**
USPC **D25/69**
(58) **Field of Classification Search**
USPC D25/62, 68, 69; 248/311.2, 238, 211,
248/210; 220/570; D3/228; 182/129,
182/206, 228.3, 108; 211/86.01;
D32/53.1, 53; 294/143; 206/373;
D8/354
CPC . E06C 7/14; E06C 7/182; E06C 7/143; B44D
3/14; B44D 3/12; F16B 45/00
See application file for complete search history.

6,089,351 A * 7/2000 Ahl E06C 7/14
182/129
6,148,958 A * 11/2000 Ahl E06C 7/14
182/121
6,513,626 B2 * 2/2003 MacSweeney E06C 7/14
182/129
D484,251 S * 12/2003 Pruett D25/68
2017/0328132 A1 * 11/2017 Sylvester H02G 3/30

* cited by examiner

Primary Examiner — Cynthia Ramirez
Assistant Examiner — Gino Colan
(74) *Attorney, Agent, or Firm* — William G. Sykes

(57) **CLAIM**

The ornamental design for a ladder rung device, as shown.

DESCRIPTION

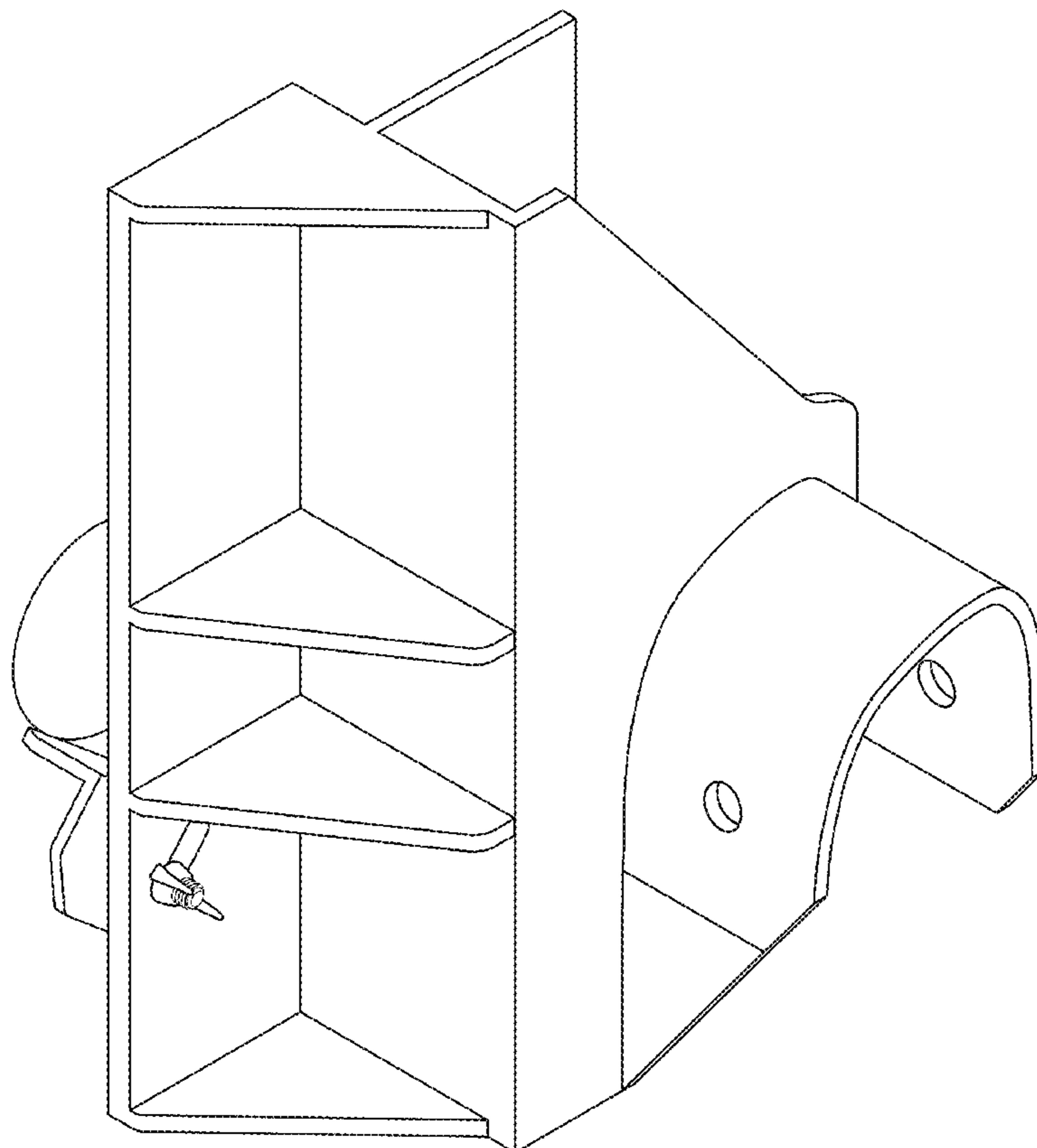
FIG. 1 is a back left isometric view of a ladder rung device showing my new design;
FIG. 2 is a back view thereof;
FIG. 3 is a top view thereof;
FIG. 4 is a bottom view thereof;
FIG. 5 is a left view thereof;
FIG. 6 is a right side view thereof; and,
FIG. 7 is a front side view.

(56) **References Cited**

U.S. PATENT DOCUMENTS

D29,735 S * 11/1898 Howard D25/68
3,853,202 A * 12/1974 Jarboe E06C 7/486
182/108

1 Claim, 7 Drawing Sheets



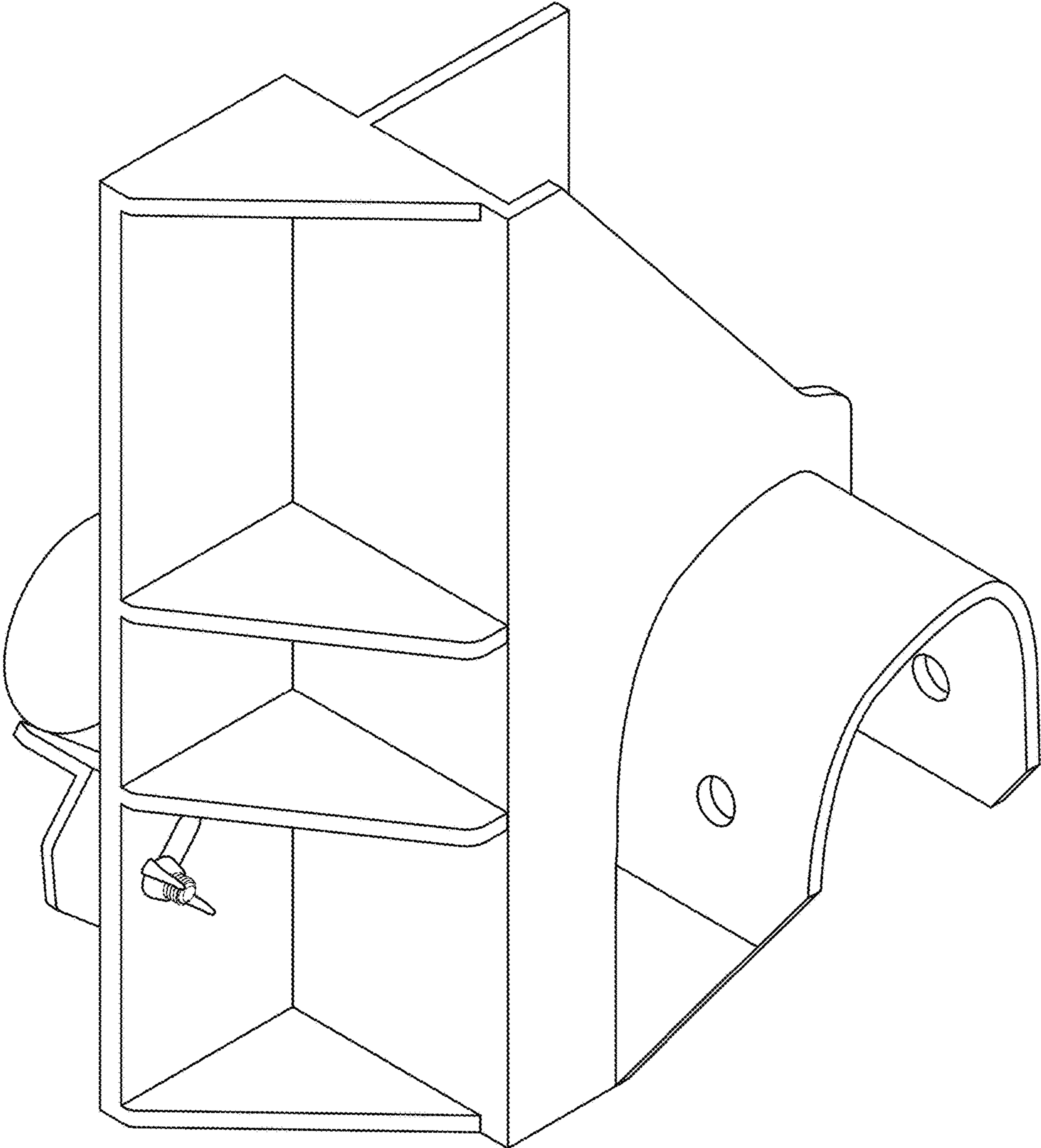


Fig. 1

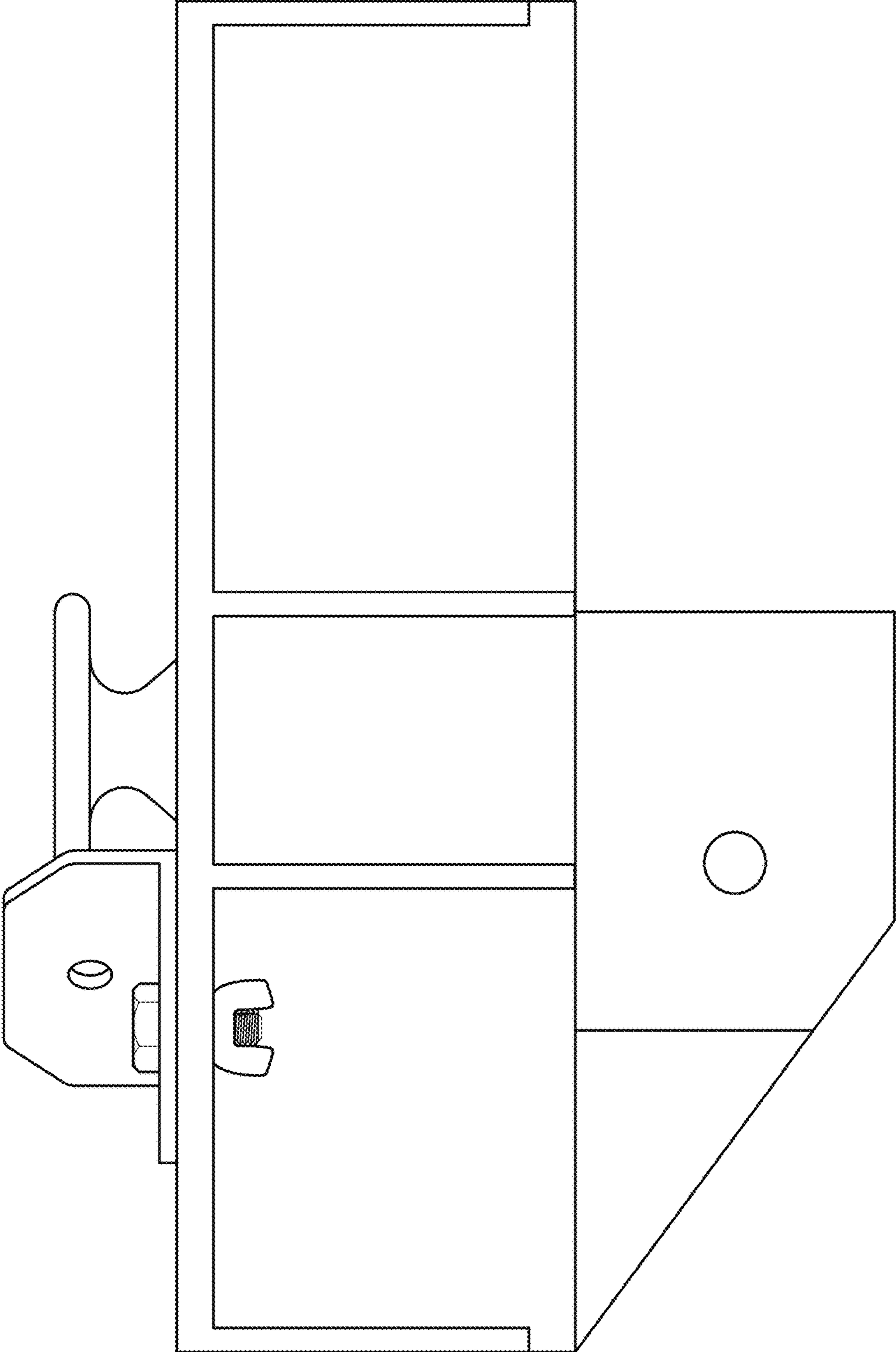


Fig. 2

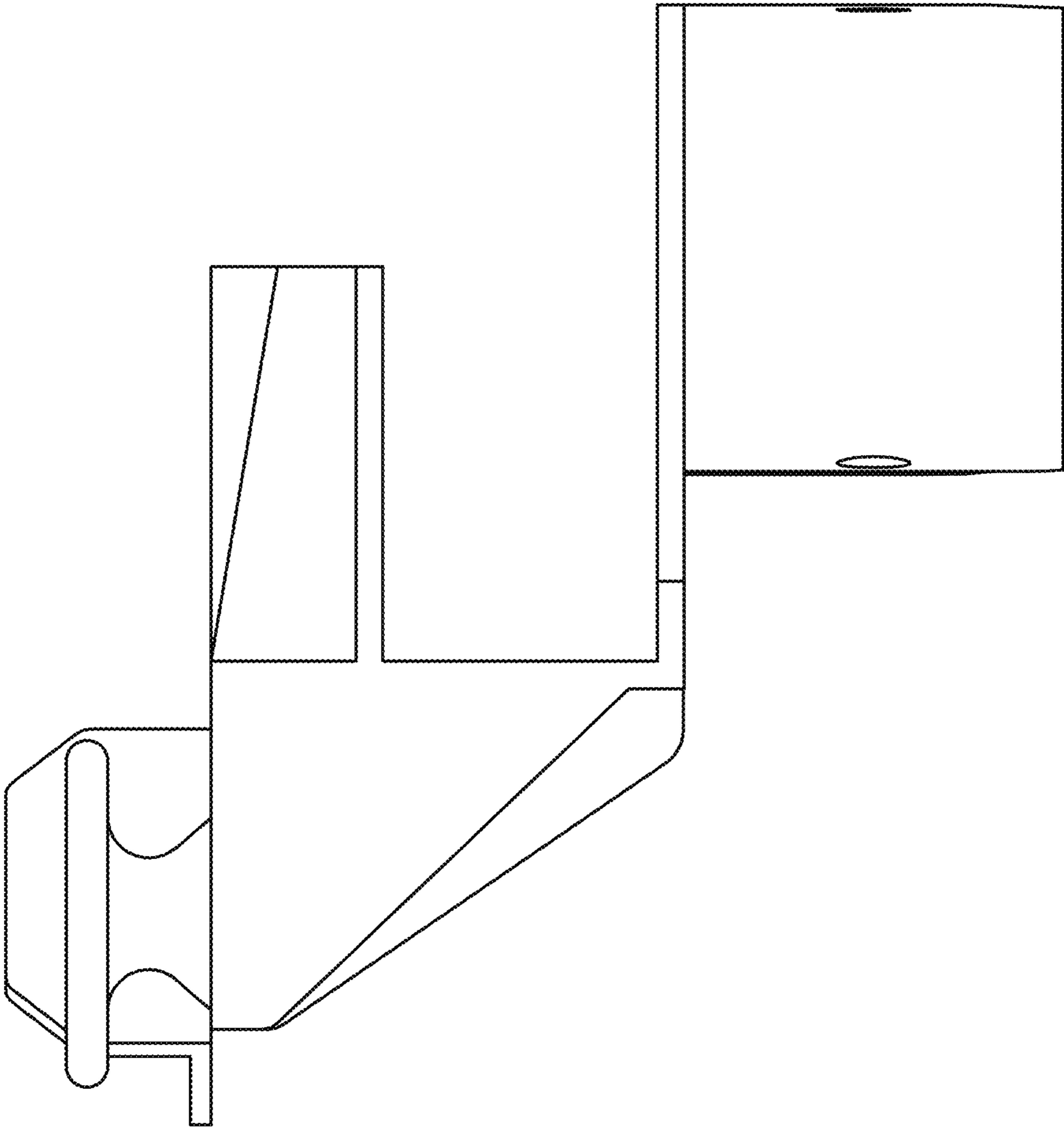


Fig. 3

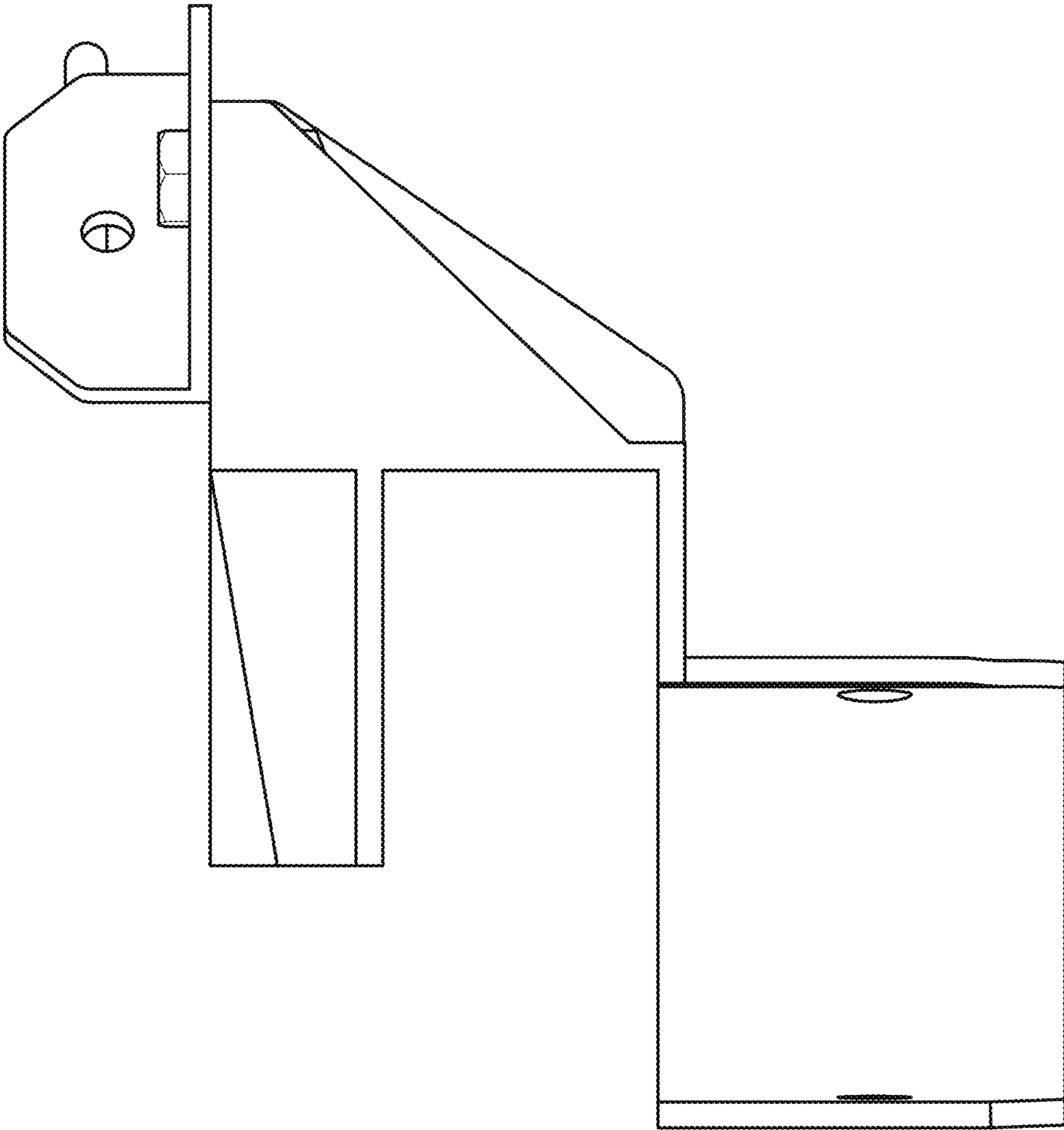


Fig. 4

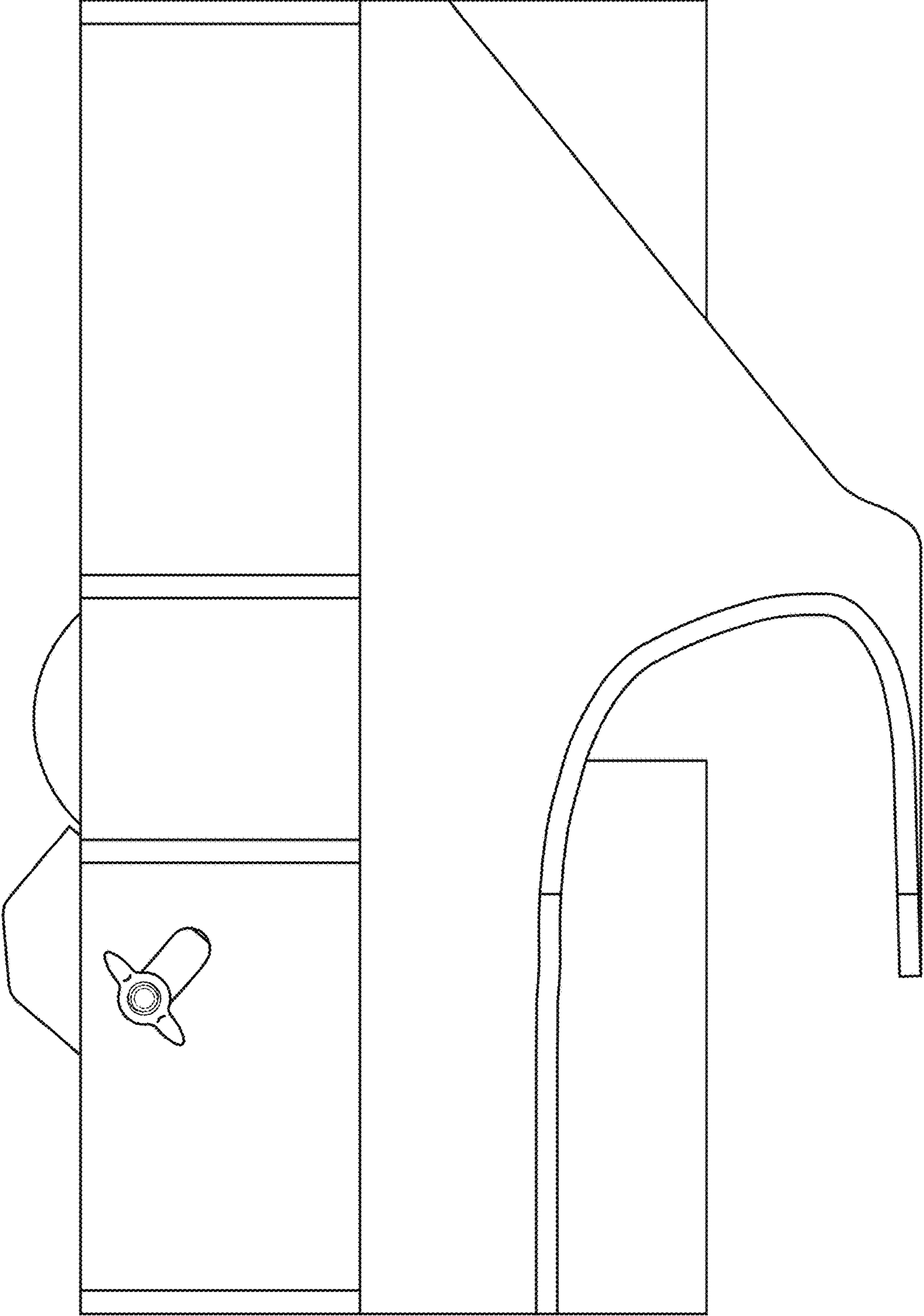


Fig. 5

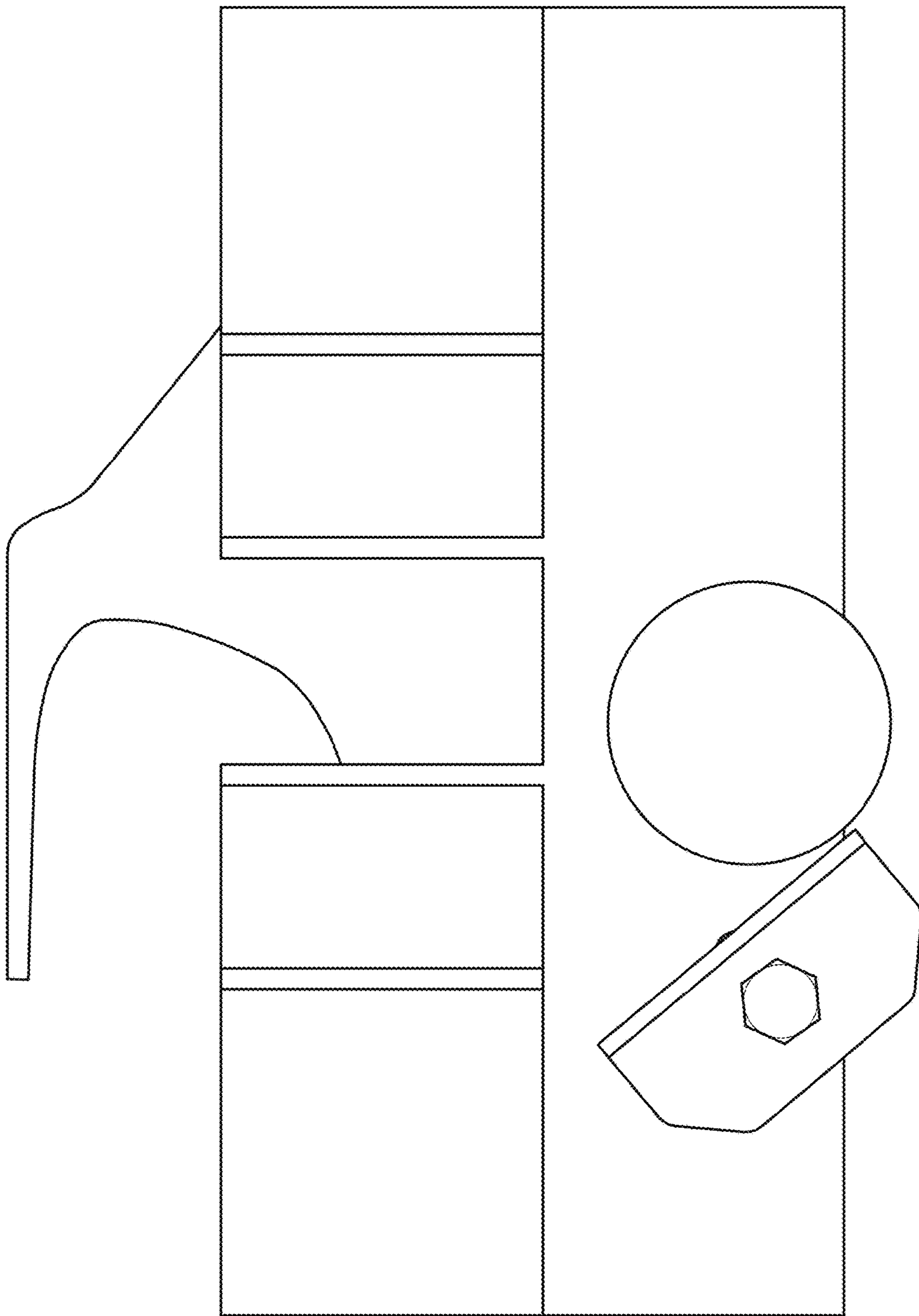


Fig. 6

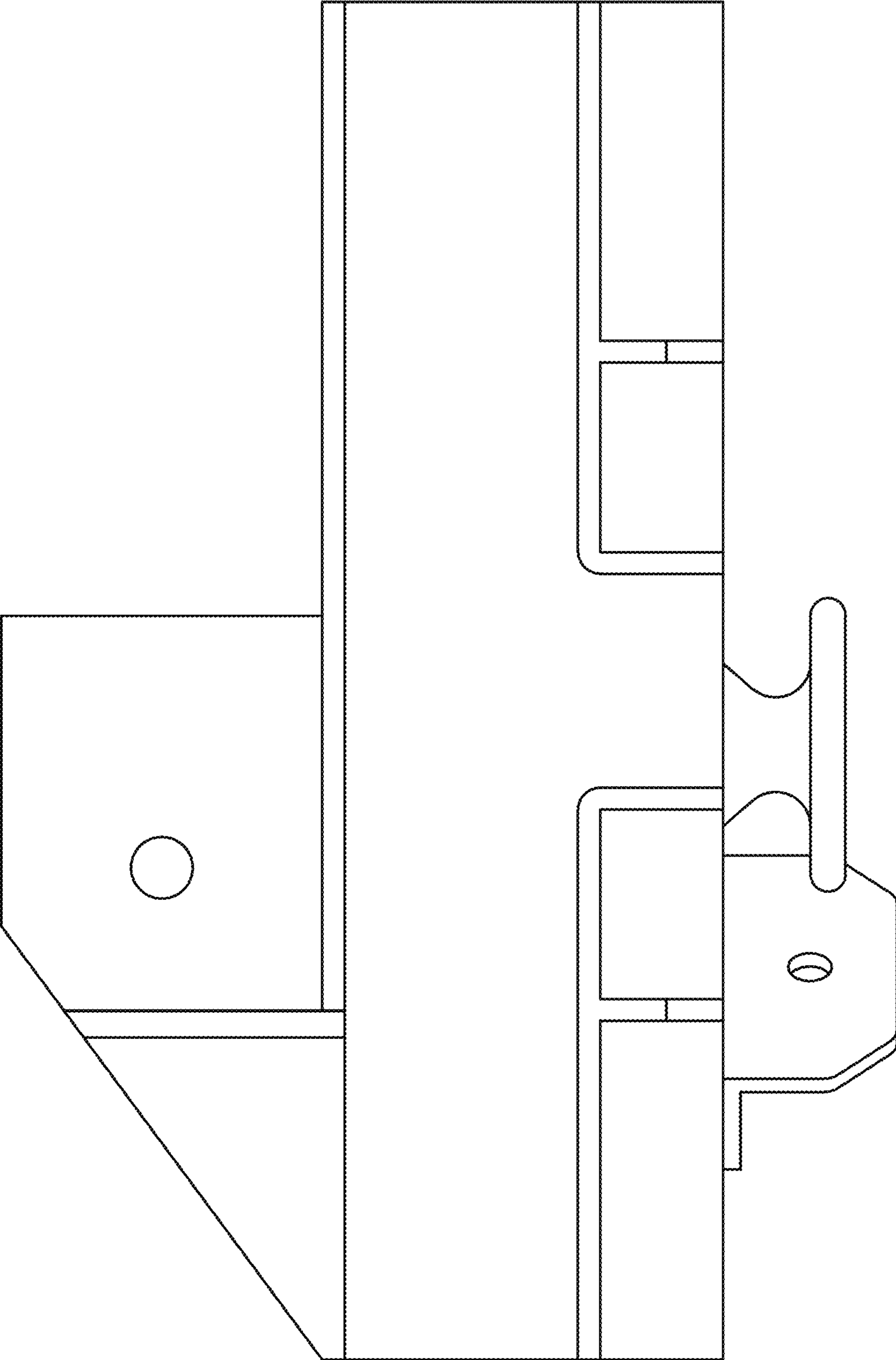


Fig. 7