



US00D812249S

(12) **United States Design Patent** (10) **Patent No.:** **US D812,249 S**  
**Jimenez Rivera et al.** (45) **Date of Patent:** **\*\* Mar. 6, 2018**

(54) **CONTROL ENCLOSURE**  
(71) Applicant: **Schweitzer Engineering Laboratories, Inc.**, Pullman, WA (US)  
(72) Inventors: **Oscar Antonio Jimenez Rivera**, Soledad de Graciano Sánchez (MX); **Jesus Ricardo Valero Arroyo**, San Luis Potosi (MX); **Hugo Benjamin Rojas Sanchez**, San Luis Potosi (MX); **Luis Enrique Rodriguez Torres**, Soledad de Graciano Sanchez (MX)

4,869,156 A 9/1989 Hutton  
4,964,252 A 10/1990 Guliker  
4,966,219 A 10/1990 Sonolet  
5,036,634 A \* 8/1991 Lessard ..... E04H 1/1205  
446/105

(Continued)

**FOREIGN PATENT DOCUMENTS**

GB 2275944 9/1994

**OTHER PUBLICATIONS**

Image 1 Taken May 31, 2016.  
Image 2 Taken May 31, 2016.  
Image 3 Taken May 31, 2016.

*Primary Examiner* — Susan Bennett Hattan  
*Assistant Examiner* — Suzanne E Tisdell  
(74) *Attorney, Agent, or Firm* — Richard M. Edge

(73) Assignee: **Schweitzer Engineering Laboratories, Inc.**, Pullman, WA (US)

(\*\*) Term: **15 Years**

(21) Appl. No.: **29/569,621**

(22) Filed: **Jun. 29, 2016**

(51) **LOC (11) Cl.** ..... **25-03**

(52) **U.S. Cl.**  
USPC ..... **D25/32**

(58) **Field of Classification Search**  
USPC ..... D25/1-34, 56  
CPC .... E04H 1/00; E04H 1/02; E04H 1/12; E04H 1/12; E04B 1/342; E04B 1/343; E04B 1/344  
See application file for complete search history.

(56) **References Cited**

**U.S. PATENT DOCUMENTS**

1,817,062 A 8/1931 Byrnes  
1,919,986 A 7/1933 Powers  
2,568,009 A 9/1951 Johnson  
2,615,775 A 10/1952 Claybourn  
3,557,499 A 1/1971 Dickie  
4,122,638 A \* 10/1978 O'Brian ..... E04H 1/12  
217/14  
4,327,530 A 5/1982 Bush  
4,600,254 A 7/1986 Whalen  
4,856,436 A 8/1989 Campbell

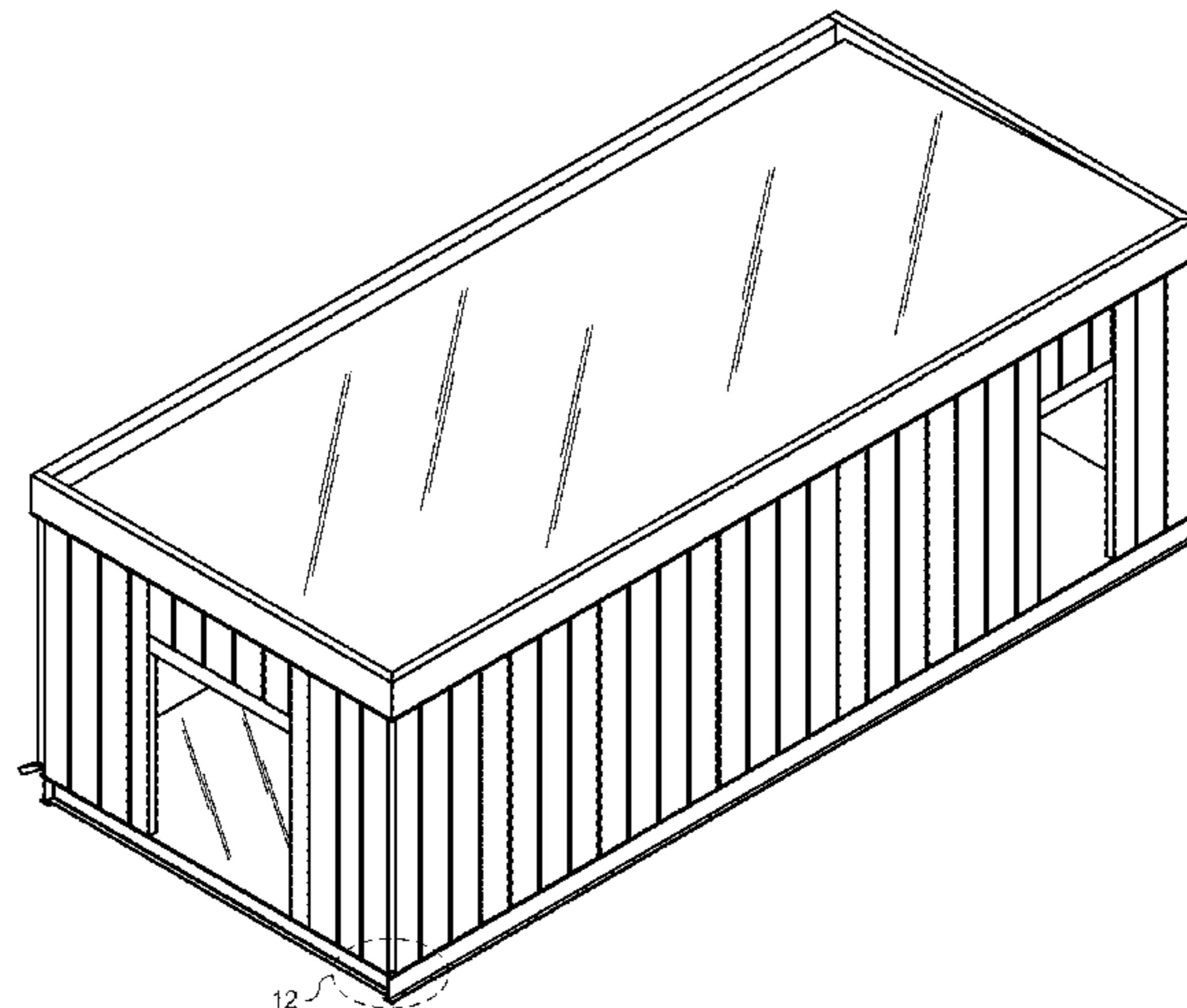
(57) **CLAIM**

The ornamental design for a control enclosure, substantially as shown and described.

**DESCRIPTION**

FIG. 1 is a perspective view of a control enclosure;  
FIG. 2 is a front view thereof;  
FIG. 3 is a bottom view thereof;  
FIG. 4 is a top view thereof;  
FIG. 5 is a back view thereof;  
FIG. 6 is a left view thereof;  
FIG. 7 is a right view thereof;  
FIG. 8 is a perspective view thereof;  
FIG. 9 is a perspective view thereof;  
FIG. 10 is a perspective view thereof;  
FIG. 11 is a perspective view thereof; and,  
FIG. 12 is a detailed perspective view of a portion of the control enclosure illustrated in FIG. 1.  
The portions of the drawings shown in broken lines form no part of the claimed design.

**1 Claim, 11 Drawing Sheets**



(56)

References Cited

U.S. PATENT DOCUMENTS

|                 |         |                                   |                  |         |   |
|-----------------|---------|-----------------------------------|------------------|---------|---|
| 5,136,463 A     | 8/1992  | Webster                           | 2003/0011988 A1  | 1/2003  | Irmer                                   |
| 5,189,257 A     | 2/1993  | Borgmeyer                         | 2003/0173041 A1  | 9/2003  | Simon                                   |
| 5,476,316 A     | 12/1995 | Batroney                          | 2004/0074158 A1  | 4/2004  | De Zen                                  |
| 5,573,319 A     | 11/1996 | Dirk                              | 2005/0047097 A1  | 3/2005  | Johnson                                 |
| 5,657,583 A     | 8/1997  | Tennant                           | 2007/0281639 A1  | 12/2007 | Clidas                                  |
| 5,706,616 A     | 1/1998  | Fernandez                         | 2008/0086947 A1  | 4/2008  | Crown                                   |
| 5,711,601 A     | 1/1998  | Thomas                            | 2008/0263968 A1  | 10/2008 | Day                                     |
| 5,888,078 A     | 3/1999  | Lecreux                           | 2009/0026898 A1  | 1/2009  | McIntosh                                |
| 5,901,868 A     | 5/1999  | Fahey                             | 2009/0086432 A1  | 4/2009  | Campbell                                |
| 5,940,274 A     | 8/1999  | Sato                              | 2009/0223140 A1  | 9/2009  | Becker                                  |
| 5,961,134 A     | 10/1999 | Congleton                         | 2010/0201230 A1  | 8/2010  | Schweitzer                              |
| 6,041,843 A     | 3/2000  | Mullet                            | 2011/0041415 A1* | 2/2011  | Esposito ..... E04B 1/34331<br>52/12    |
| 6,098,693 A     | 8/2000  | Frey, Jr.                         | 2011/0047912 A1  | 3/2011  | Armijo                                  |
| 6,229,707 B1    | 5/2001  | Keenan                            | 2011/0162293 A1* | 7/2011  | Levy ..... E04B 1/3483<br>52/79.9       |
| 6,338,231 B1    | 1/2002  | Enriquez                          | 2011/0179722 A1  | 7/2011  | Schulz                                  |
| 6,349,510 B1    | 2/2002  | Haas                              | 2013/0255178 A1* | 10/2013 | Judd ..... E04B 1/344<br>52/646         |
| 6,712,414 B2    | 3/2004  | Morrow                            | 2014/0047778 A1* | 2/2014  | DiGregory ..... E04B 1/34384<br>52/2.25 |
| 6,806,422 B1    | 10/2004 | Rivers                            | 2014/0223840 A1* | 8/2014  | Wheeler ..... E04B 1/343<br>52/79.9     |
| D502,547 S *    | 3/2005  | Hawes ..... D25/33                | 2014/0318036 A1* | 10/2014 | Eom ..... E02D 27/12<br>52/79.1         |
| 6,969,130 B2    | 11/2005 | Newton                            | 2015/0259939 A1* | 9/2015  | Horvath ..... E04H 1/1222<br>296/24.36  |
| D593,208 S *    | 5/2009  | Ausich ..... D25/4                | 2016/0017609 A1* | 1/2016  | Bottin ..... E04D 13/04<br>52/302.1     |
| 8,251,785 B2    | 8/2012  | Schmitt                           | 2016/0208512 A1* | 7/2016  | S Ez Blaya ..... E04H 1/005             |
| 8,347,560 B2    | 1/2013  | Gyory                             | 2017/0081867 A1* | 3/2017  | Wasson ..... E04B 1/342                 |
| 8,413,385 B2    | 4/2013  | Mahoney                           | 2017/0081870 A1* | 3/2017  | Hensen ..... E04H 9/14                  |
| 9,003,716 B1*   | 4/2015  | Gill ..... E04H 1/12<br>52/204.53 |                  |         |   |
| D739,556 S      | 9/2015  | Yoder                             |                  |         |   |
| D745,188 S *    | 12/2015 | Hart ..... D25/16                 |                  |         |   |
| D771,835 S *    | 11/2016 | Bottin ..... D25/33               |                  |         |   |
| 2002/0090871 A1 | 7/2002  | Ritchie                           |                  |         |   |
| 2002/0140325 A1 | 10/2002 | Webster                           |                  |         |   |

\* cited by examiner

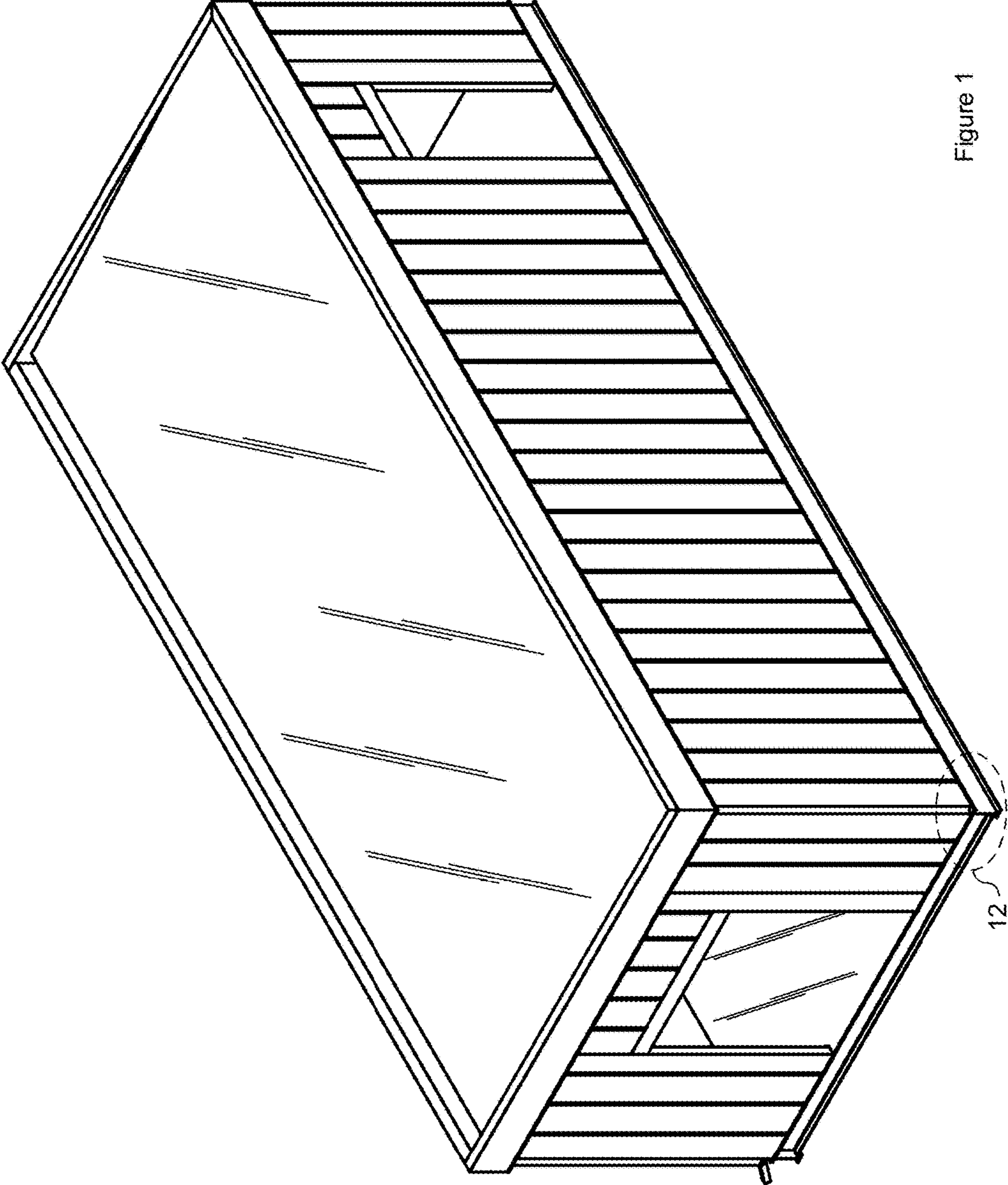


Figure 1



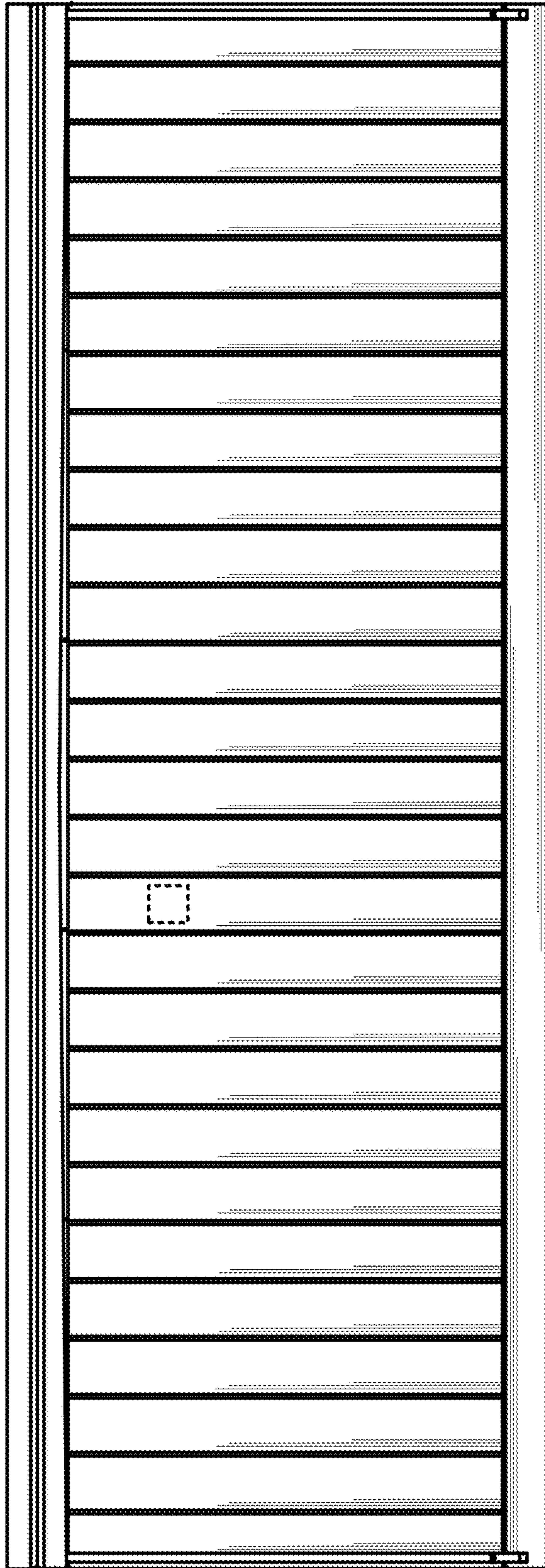


Figure 2

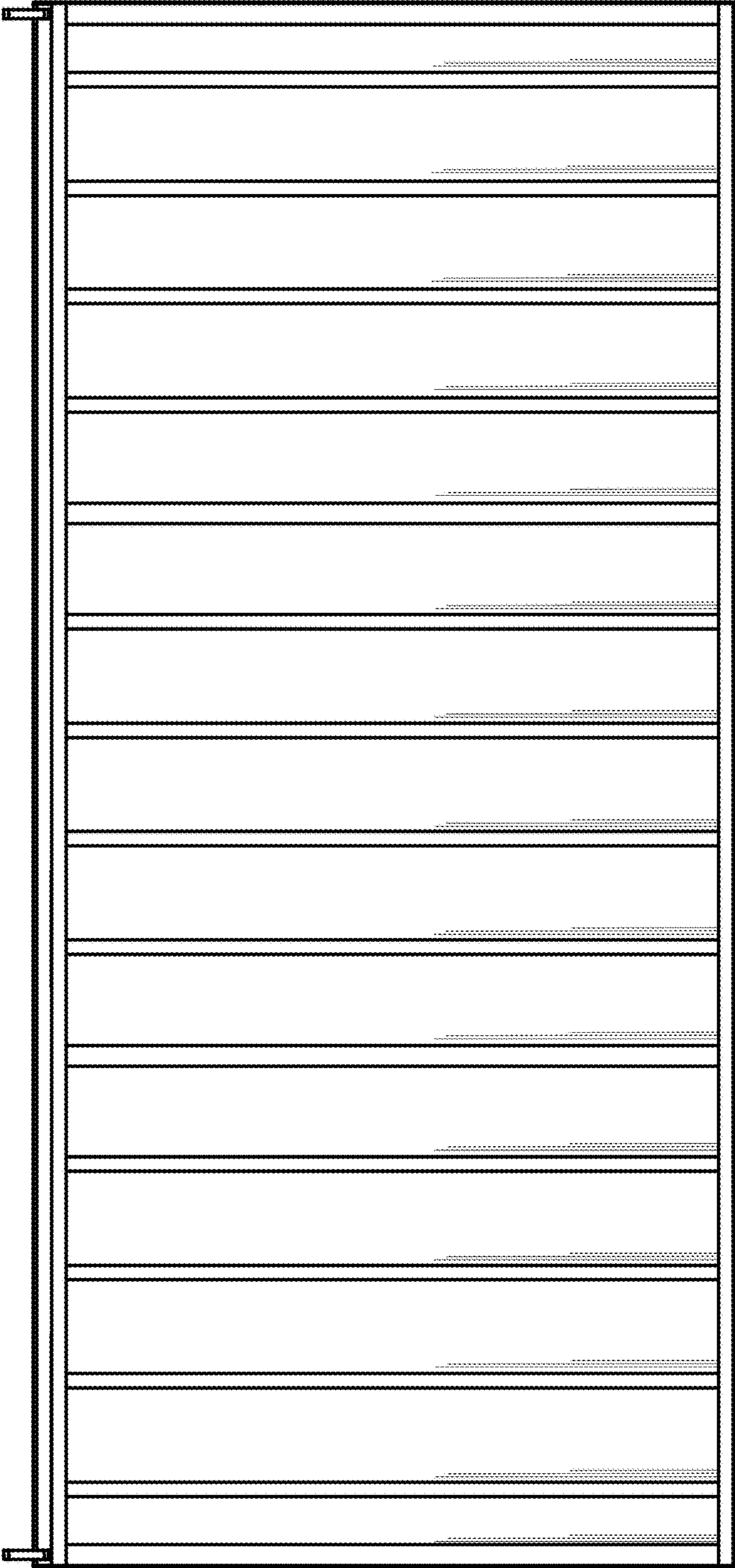


Figure 3

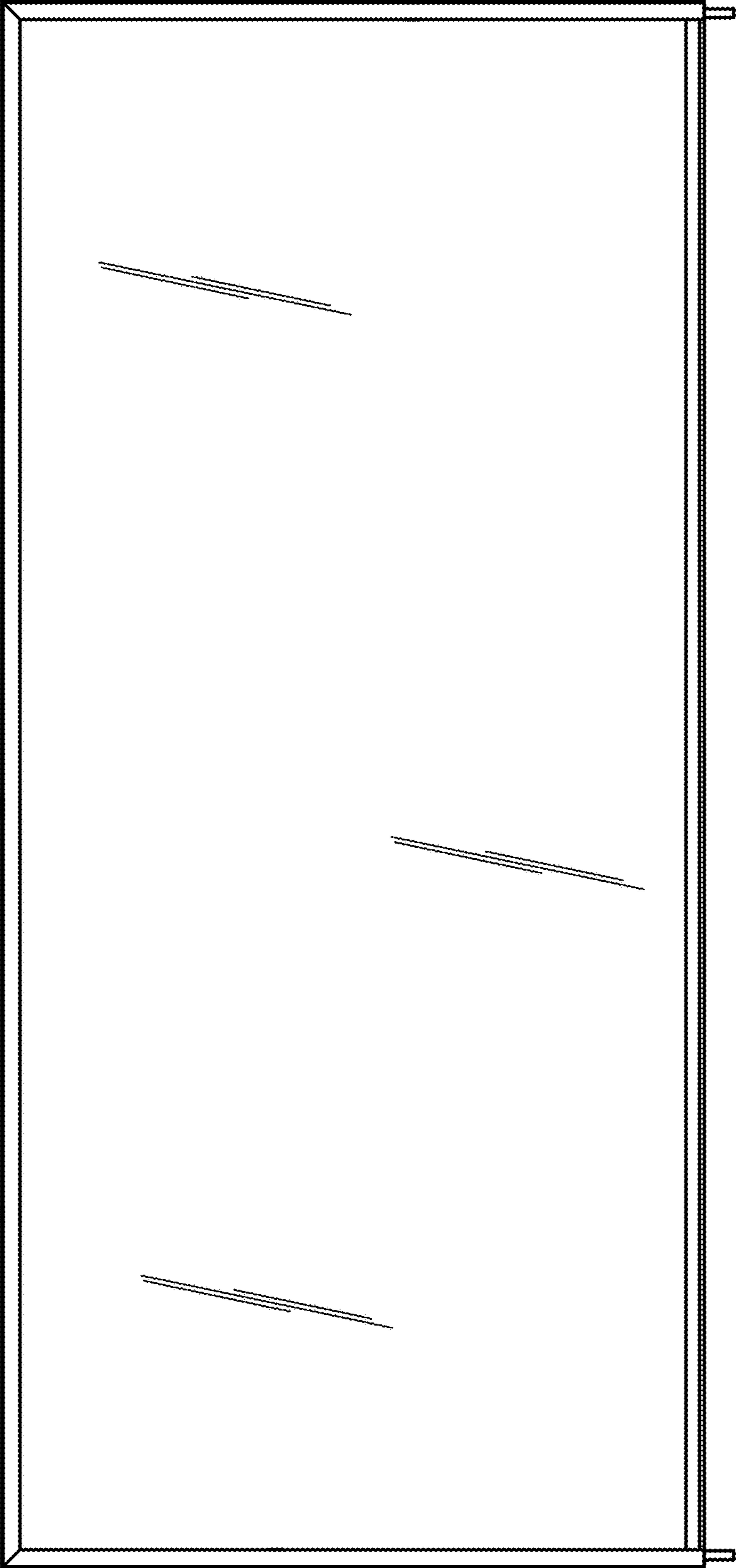


Figure 4

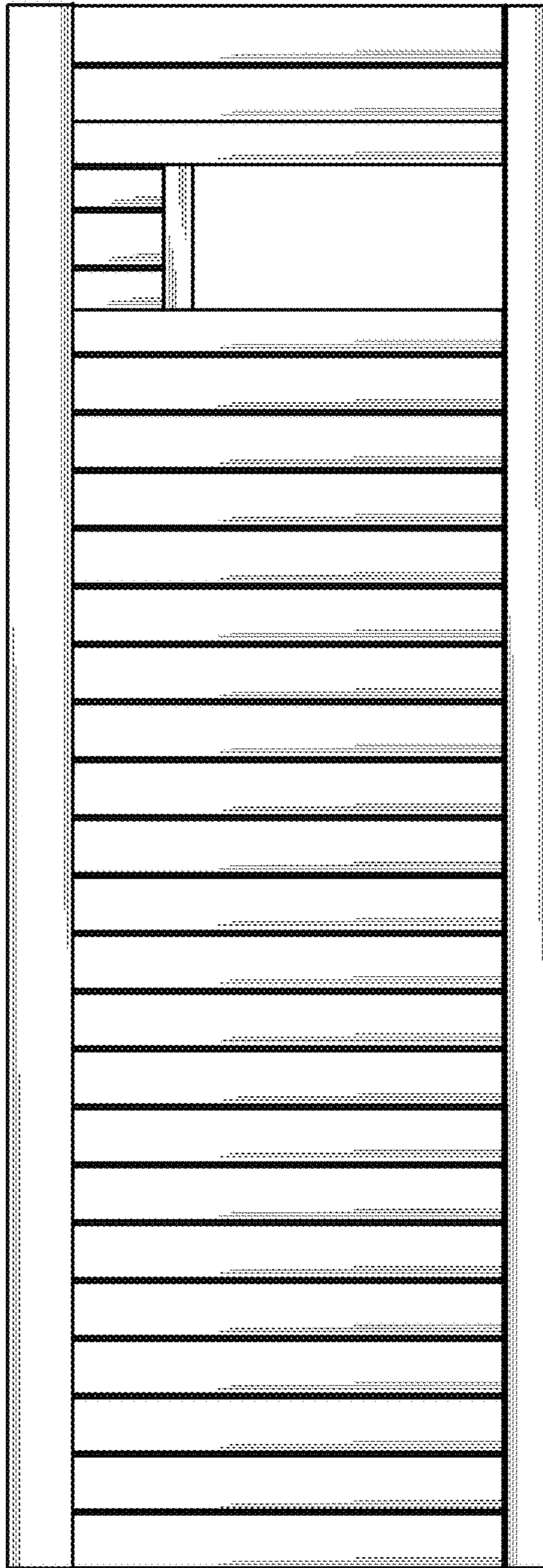


Figure 5

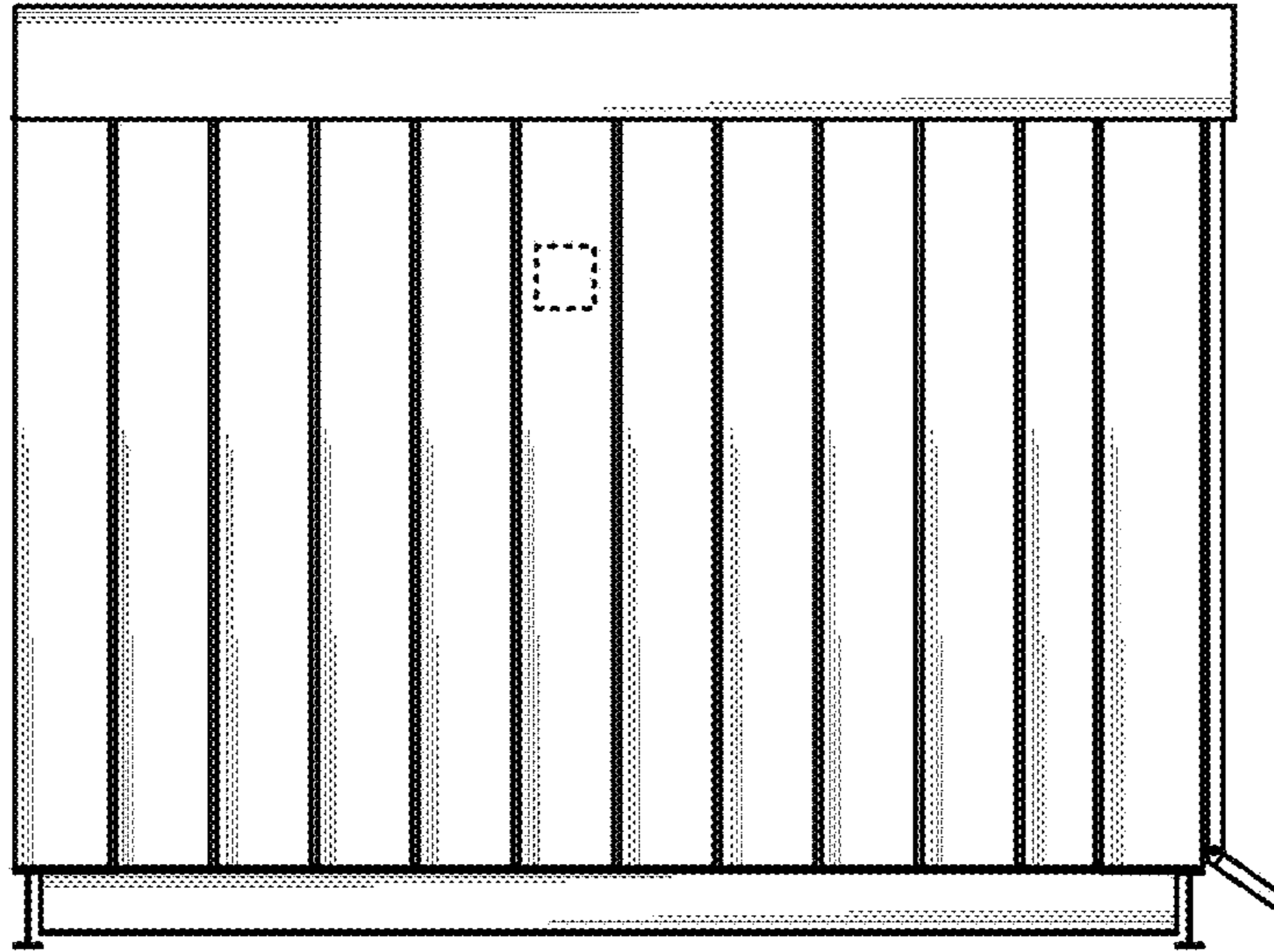


Figure 6

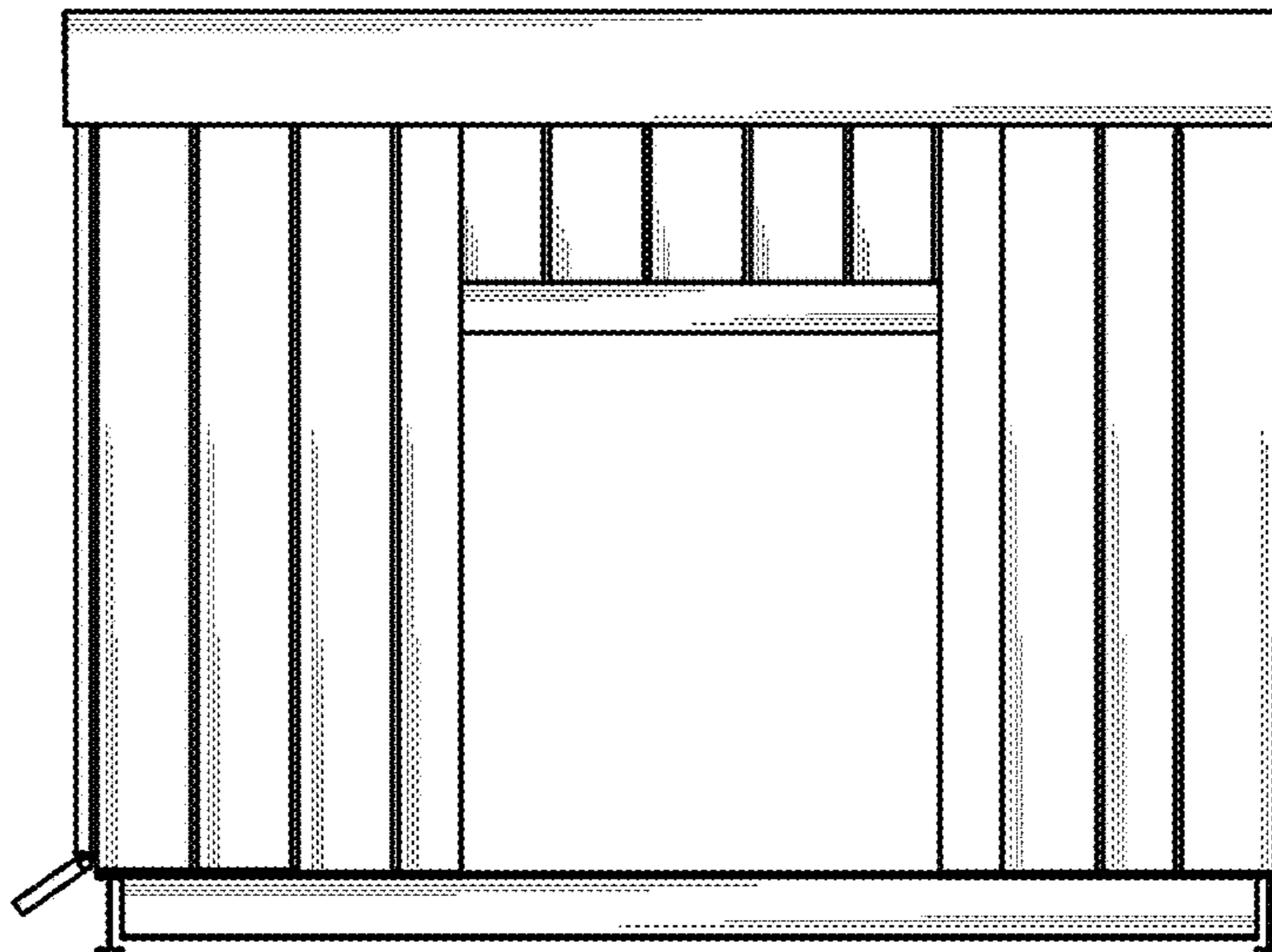


Figure 7



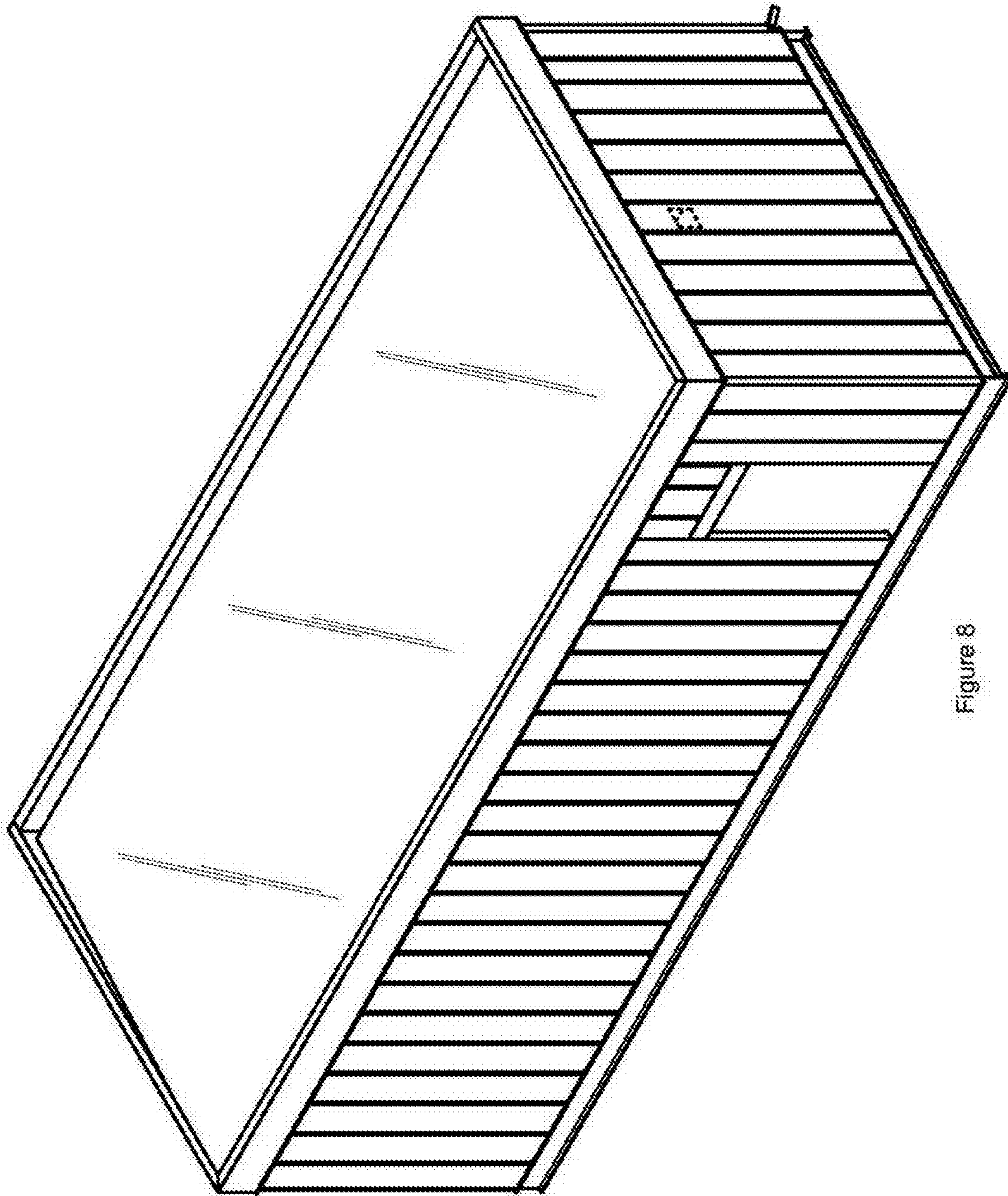


Figure 8

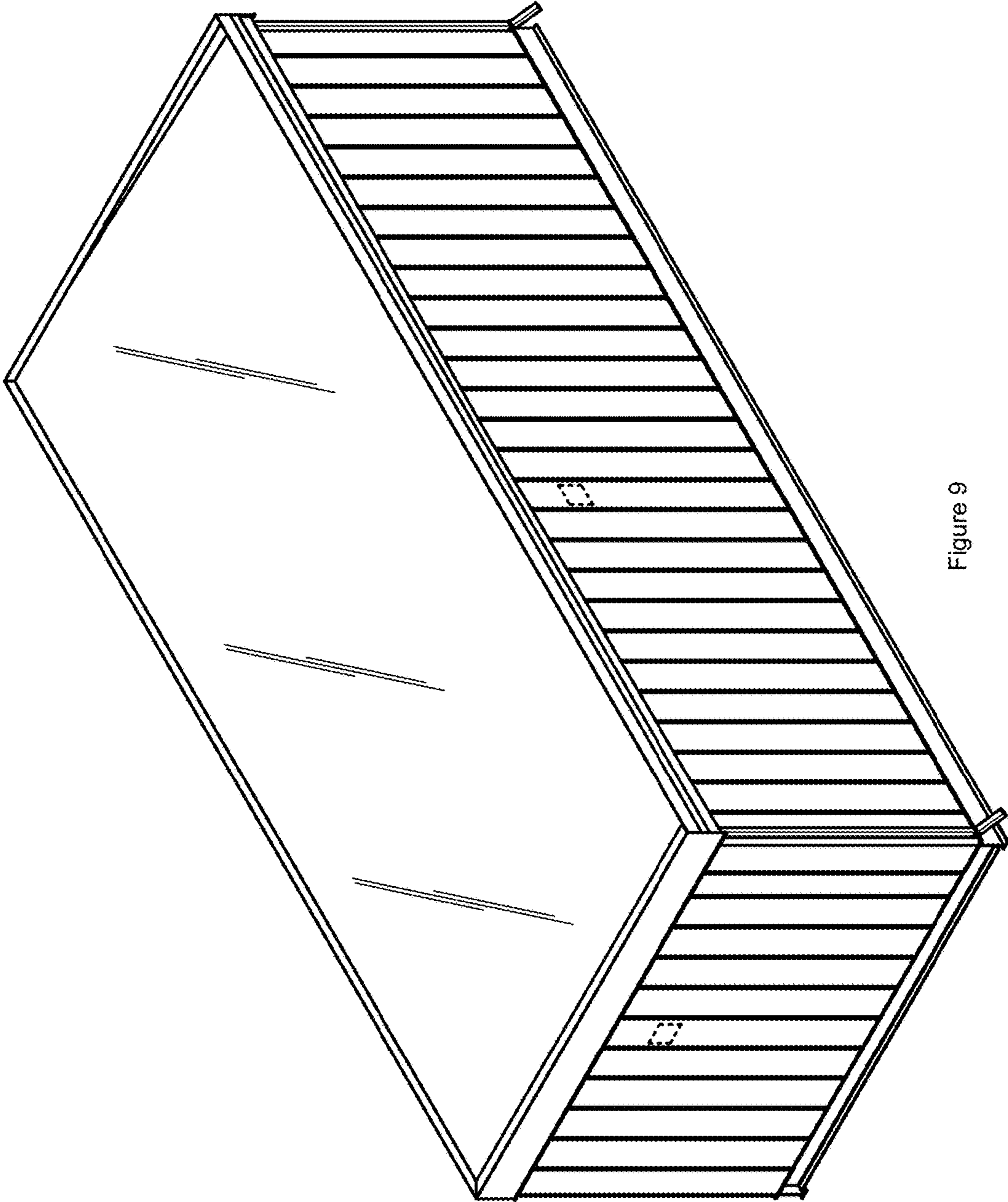


Figure 9

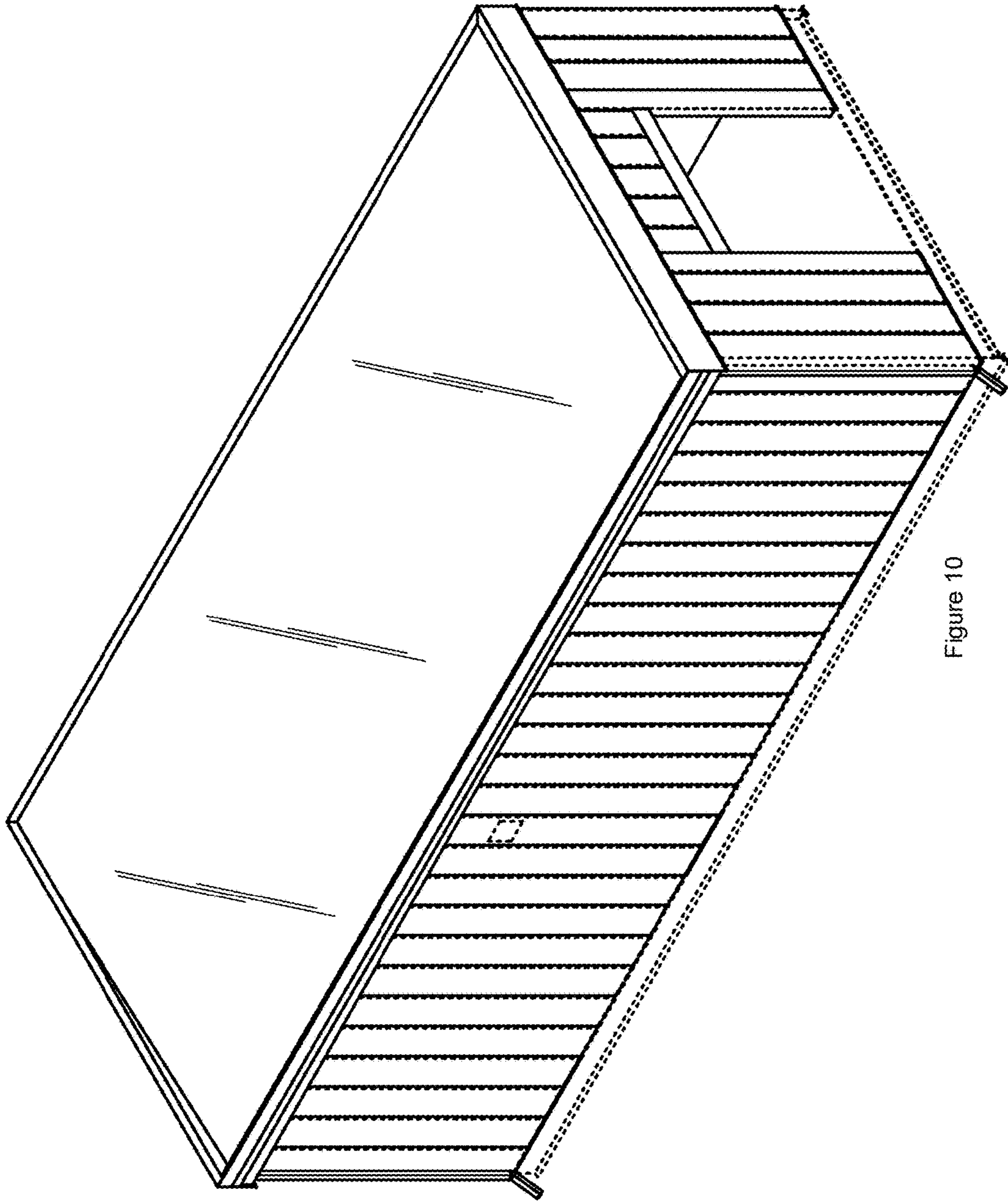


Figure 10



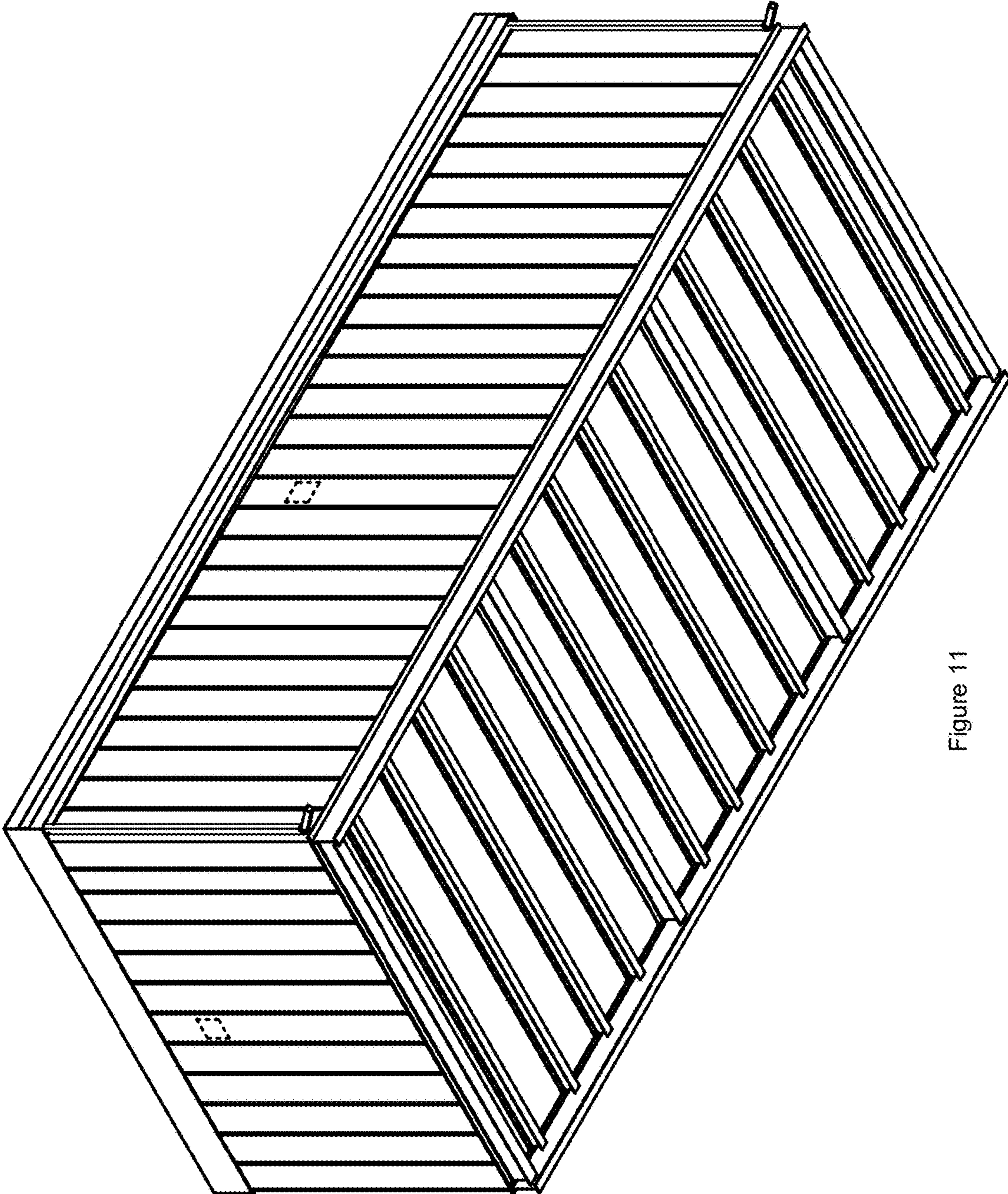


Figure 11



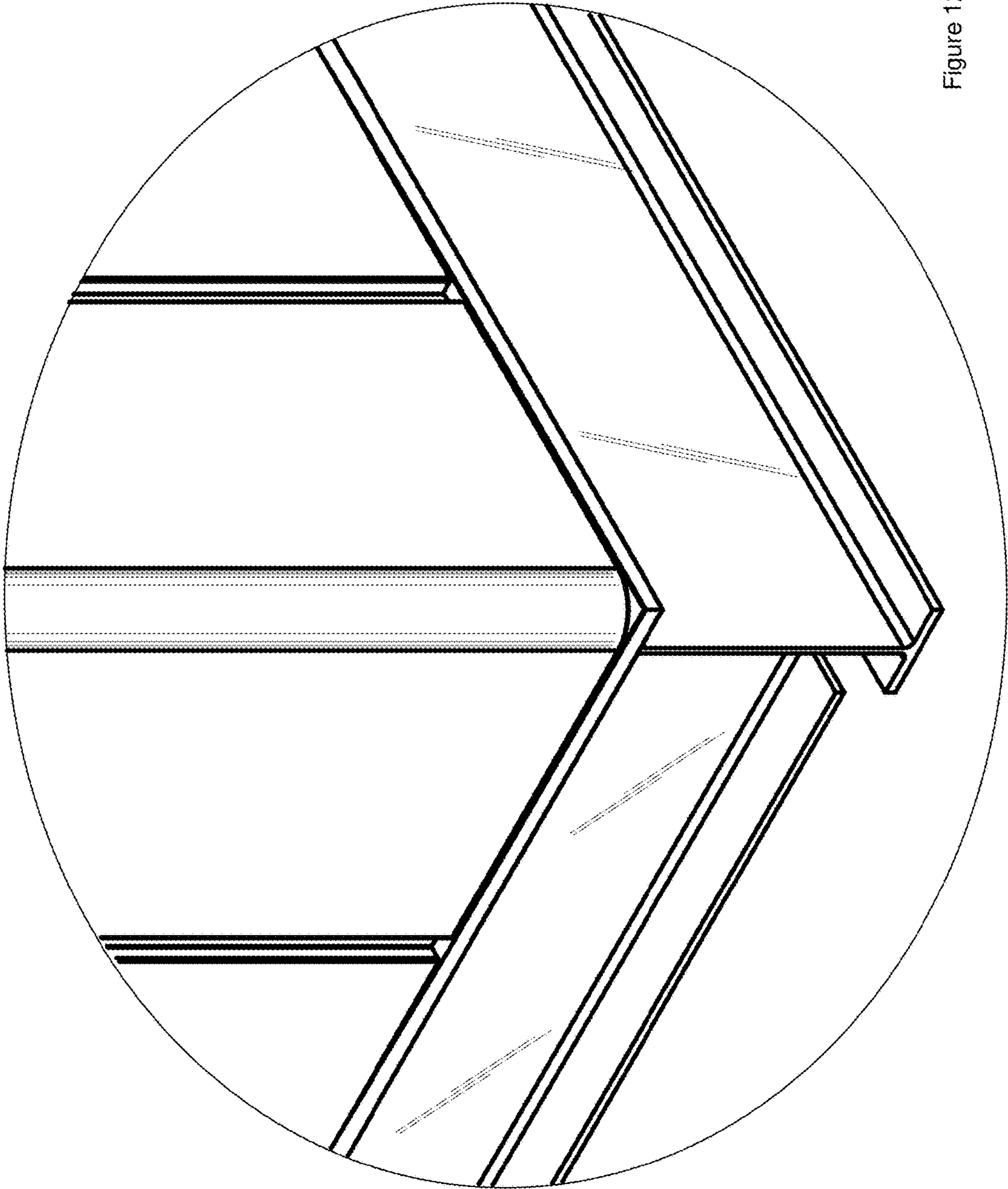


Figure 12