



US00D812246S

(12) **United States Design Patent** (10) **Patent No.:** **US D812,246 S**
Hommel et al. (45) **Date of Patent:** **** Mar. 6, 2018**

(54) **DISPENSER**

(74) *Attorney, Agent, or Firm* — Frost Brown Todd LLC

(71) Applicant: **Children’s Hospital Medical Center**,
Cincinnati, OH (US)

(57) **CLAIM**

The ornamental design for a dispenser, as shown and described.

(72) Inventors: **Kevin A. Hommel**, Loveland, OH
(US); **Steven J. Doehler**, Cincinnati,
OH (US)

DESCRIPTION

(73) Assignee: **Children’s Hospital Medical Center**,
Cincinnati, OH (US)

FIG. 1 is a top front perspective view of a first embodiment of the ornamental design.

(**) Term: **15 Years**

FIG. 2 is a front elevation view thereof.

(21) Appl. No.: **29/572,999**

FIG. 3 is a rear elevation view thereof.

(22) Filed: **Aug. 2, 2016**

FIG. 4 is a side elevation view thereof.

(51) **LOC (11) Cl.** **24-99**

FIG. 5 is a side elevation view thereof, showing the opposite side view to FIG. 4.

(52) **U.S. Cl.**

USPC **D24/231; D3/203.3**

FIG. 6 is a top plan view thereof.

(58) **Field of Classification Search**

USPC **D24/231; D9/733, 740; D3/203.1, D3/203.2, 203.3**

FIG. 7 is a bottom plan view thereof.

(Continued)

FIG. 8 is a top front perspective view of a second embodiment of the ornamental design.

(56) **References Cited**

U.S. PATENT DOCUMENTS

D103,887 S * 3/1937 Conner D28/77
D227,551 S * 7/1973 Crutchfield D9/740

(Continued)

FIG. 9 is a front elevation view thereof.

FOREIGN PATENT DOCUMENTS

DE 10236909 * 2/2004

FIG. 10 is a rear elevation view thereof.

OTHER PUBLICATIONS

Clever Cap, Compliance Meds Technologies, LLC, 2013, downloaded from <https://ssl.clevercap.org/arc/about.html> on Nov. 4, 2016, 2 pgs.

FIG. 11 is a side elevation view thereof.

Primary Examiner — Sheryl Lane

Assistant Examiner — Calvin E Vansant

FIG. 12 is a side elevation view thereof, showing the opposite side view to FIG. 11.

FIG. 13 is a top plan view thereof.

FIG. 14 is a bottom plan view thereof.

FIG. 15 is a top front perspective view of a third embodiment of the ornamental design.

FIG. 16 is a front elevation view thereof.

FIG. 17 is a rear elevation view thereof.

FIG. 18 is a side elevation view thereof.

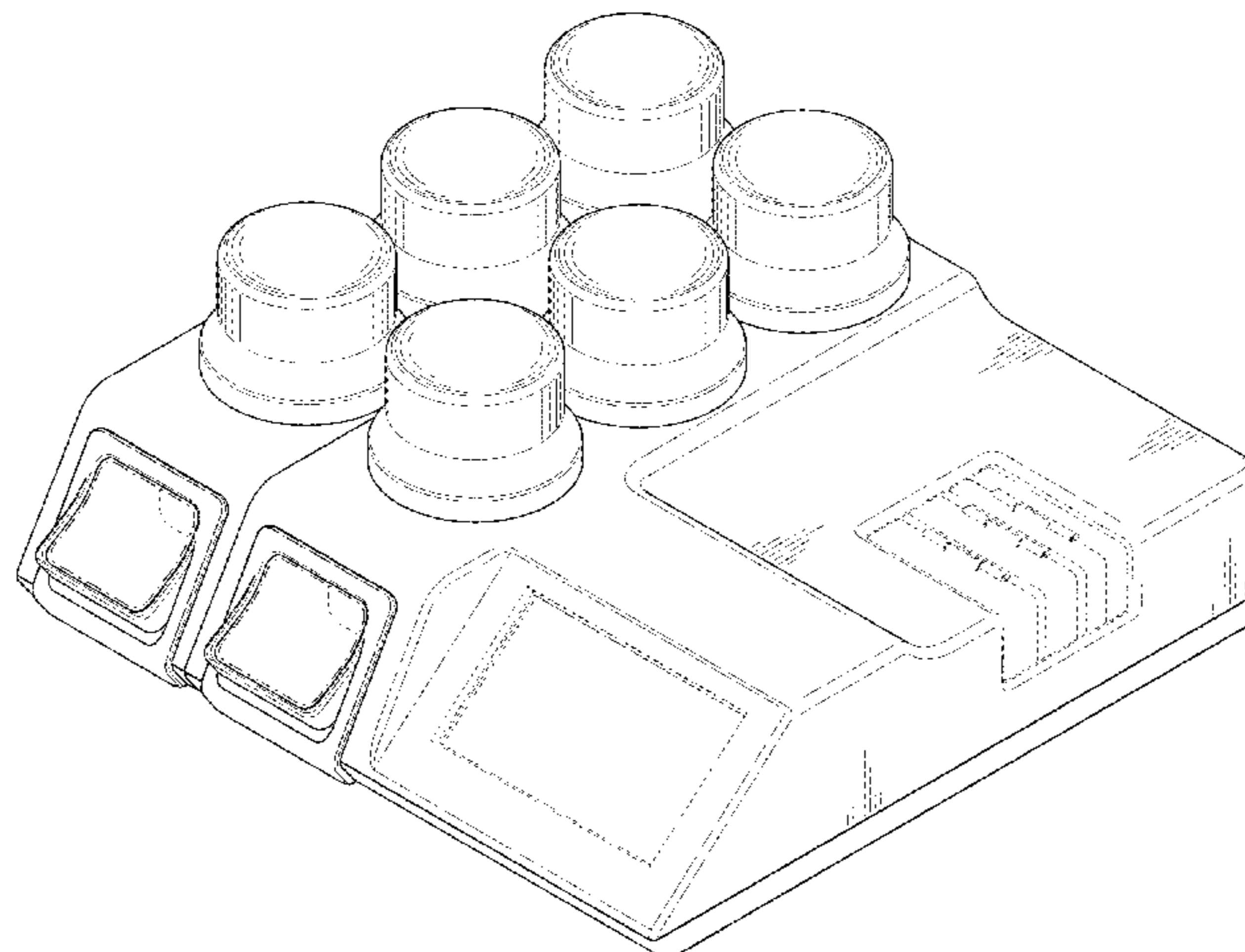
FIG. 19 is a side elevation view thereof, showing the opposite side view to FIG. 18.

FIG. 20 is a top plan view thereof; and,

FIG. 21 is a bottom plan view thereof.

The ornamental design which is claimed is shown in solid lines in the drawings. The evenly spaced broken lines in the drawings form no part of the claimed design. The dot-dash-dot lines in the drawings define the boundary of the claim, it being understood that the area within boundary and the dot-dash-dot lines themselves form no part of the claimed design.

1 Claim, 15 Drawing Sheets



(58) **Field of Classification Search**

CPC B65D 83/04; B65D 83/0409

See application file for complete search history.

(56) **References Cited**

U.S. PATENT DOCUMENTS

D252,072	S	*	6/1979	Bridges	D3/203.3
D292,266	S	*	10/1987	Vanlanen	D9/517
D340,860	S	*	11/1993	Gordon	D24/226
D350,478	S	*	9/1994	Fuller	D3/203.3
D393,418	S	*	4/1998	Doan	D3/203.3
D426,461	S	*	6/2000	Noble	D3/203.3
D555,893	S	*	11/2007	Mulaw	D3/203.1
D622,499	S	*	8/2010	Sprada	D3/203.2
D642,789	S	*	8/2011	Cooper	D3/203.3
D707,441	S	*	6/2014	Bear	D3/203.3
D741,058	S	*	10/2015	Wiederman	D3/203.2
D749,428	S	*	2/2016	Fath	D9/737
D749,429	S	*	2/2016	Fath	D9/737

* cited by examiner

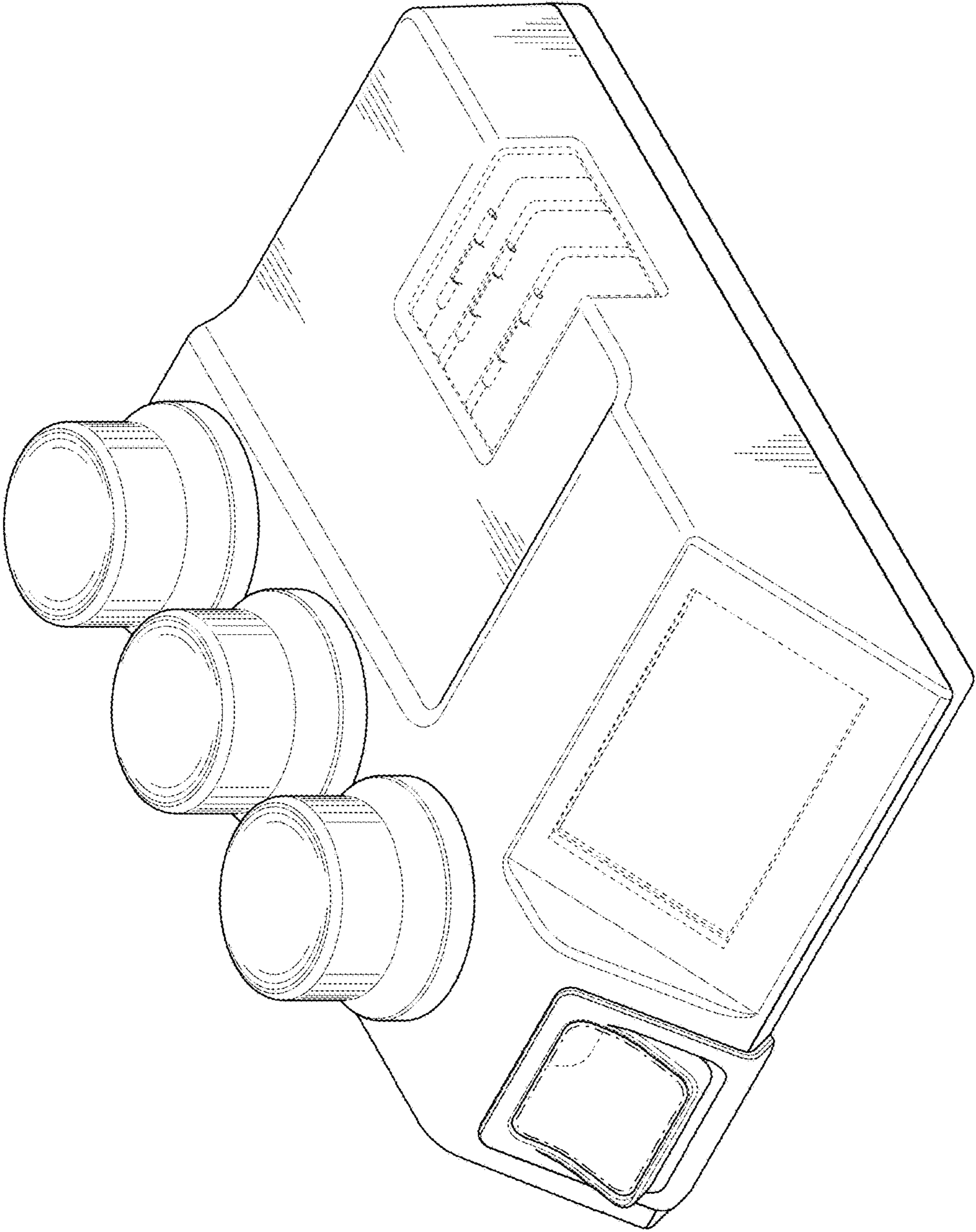


FIG. 1

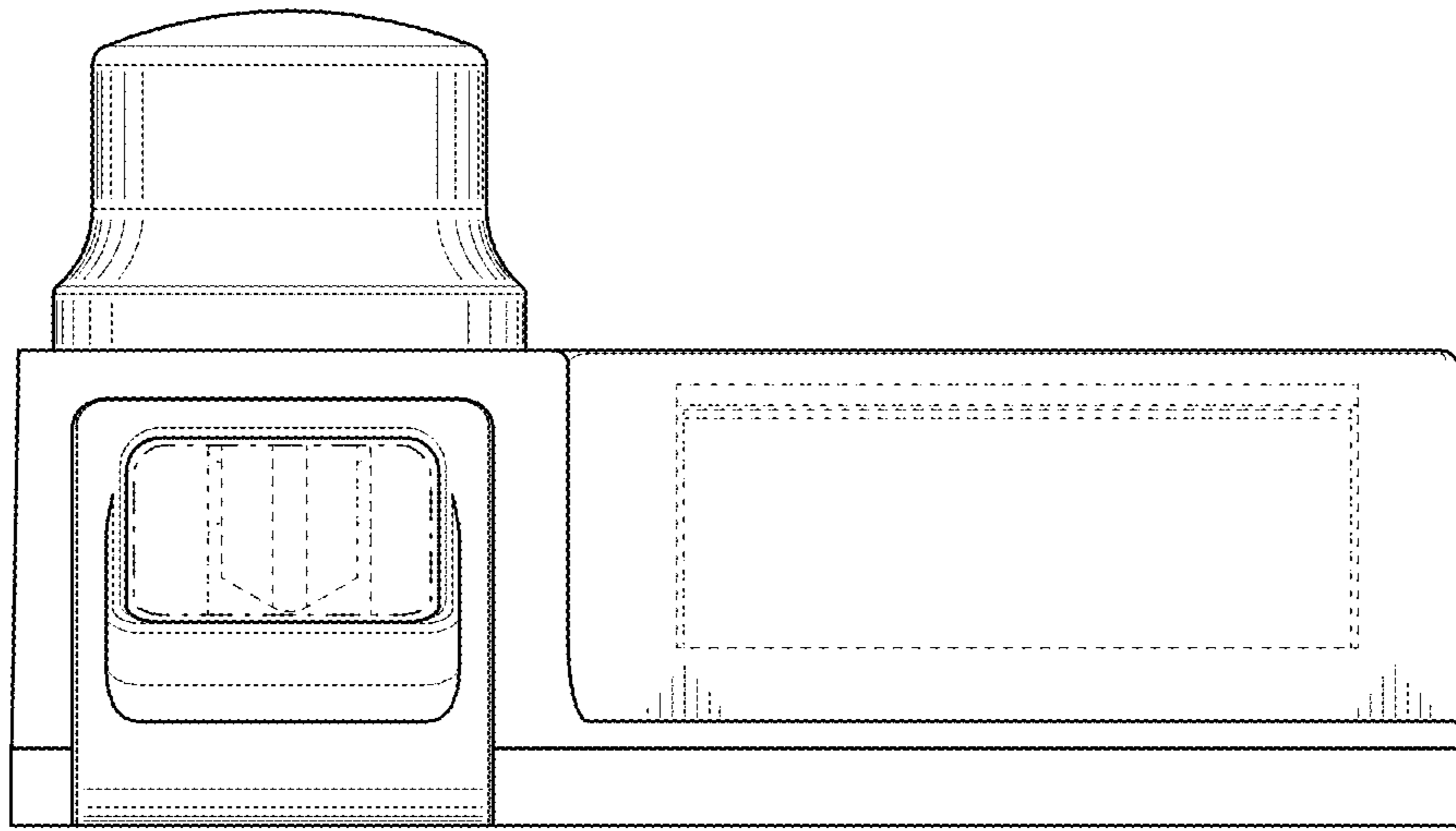


FIG. 2

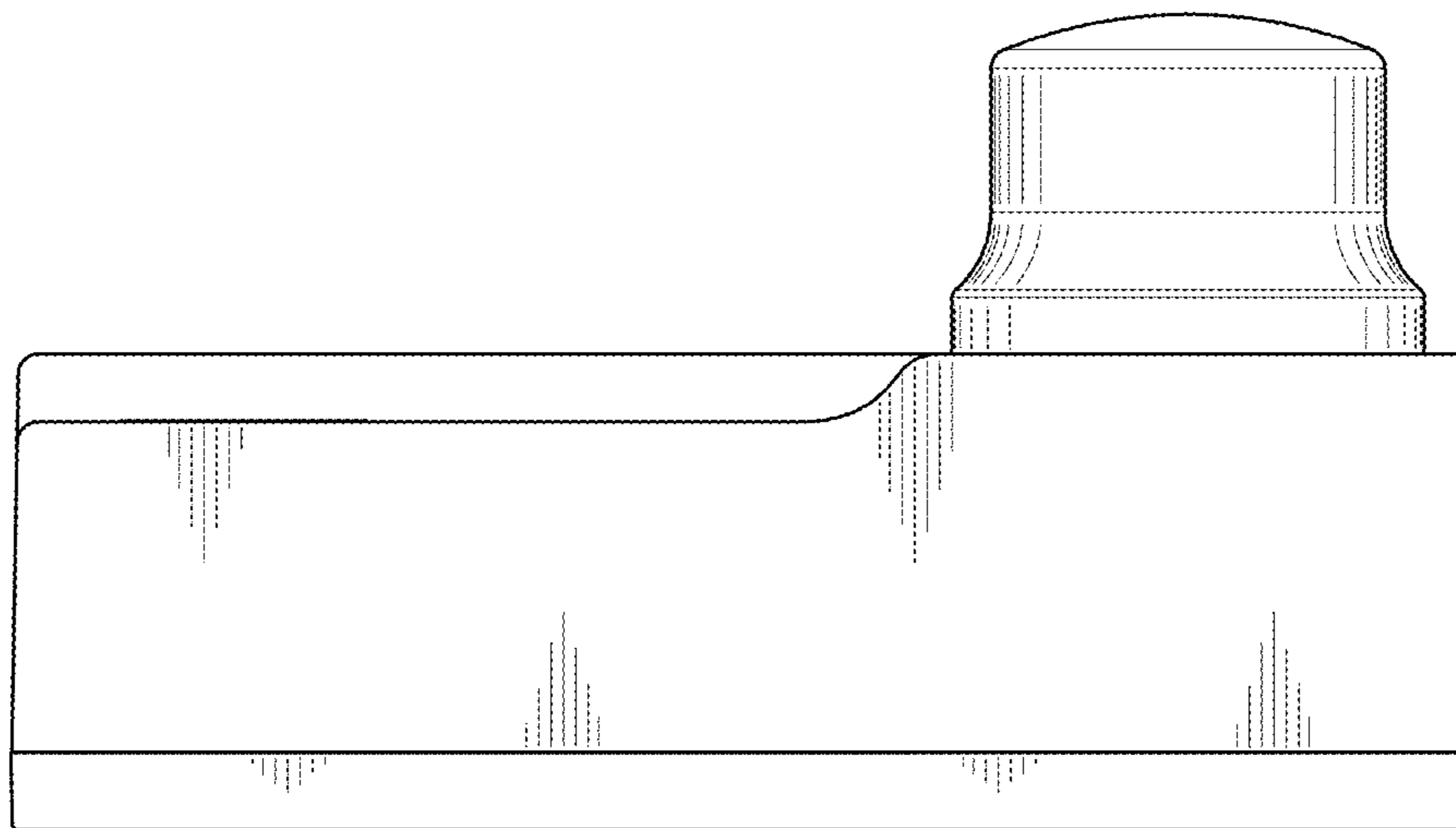


FIG. 3

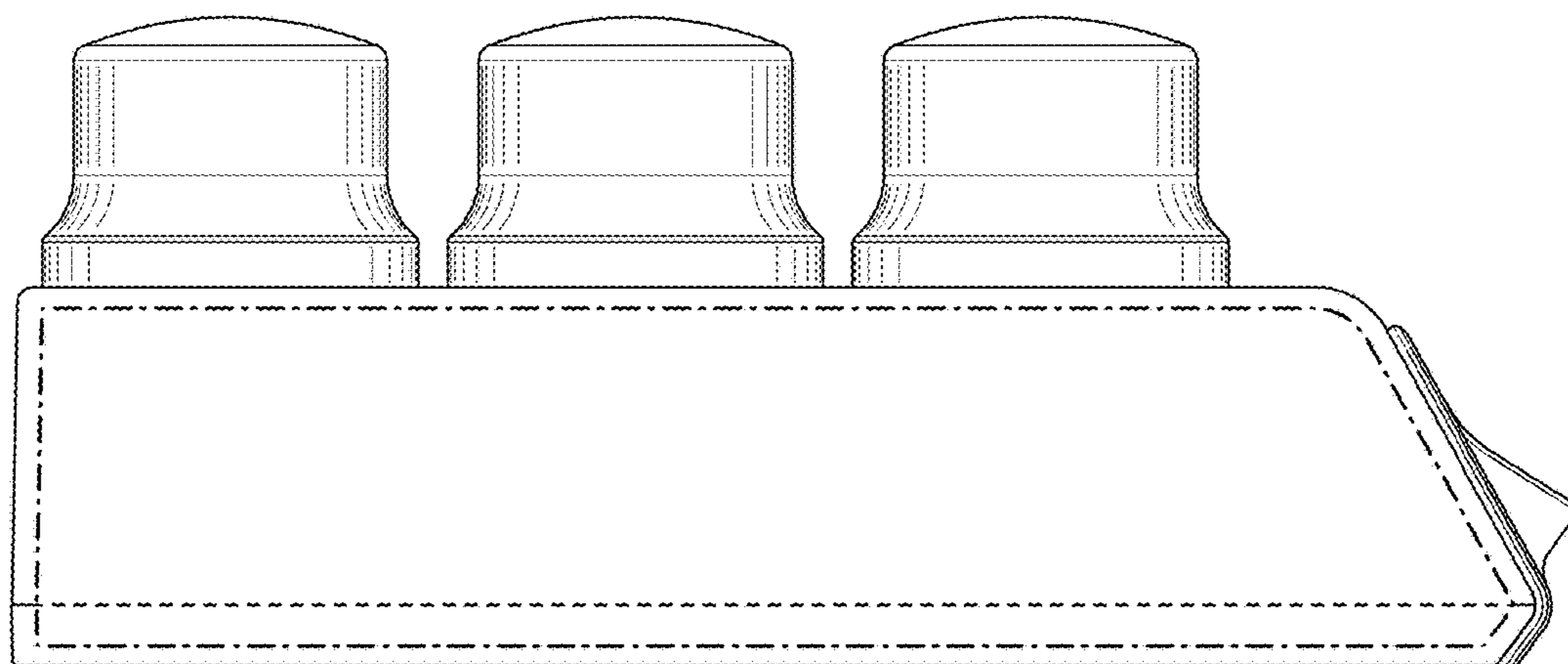


FIG. 4

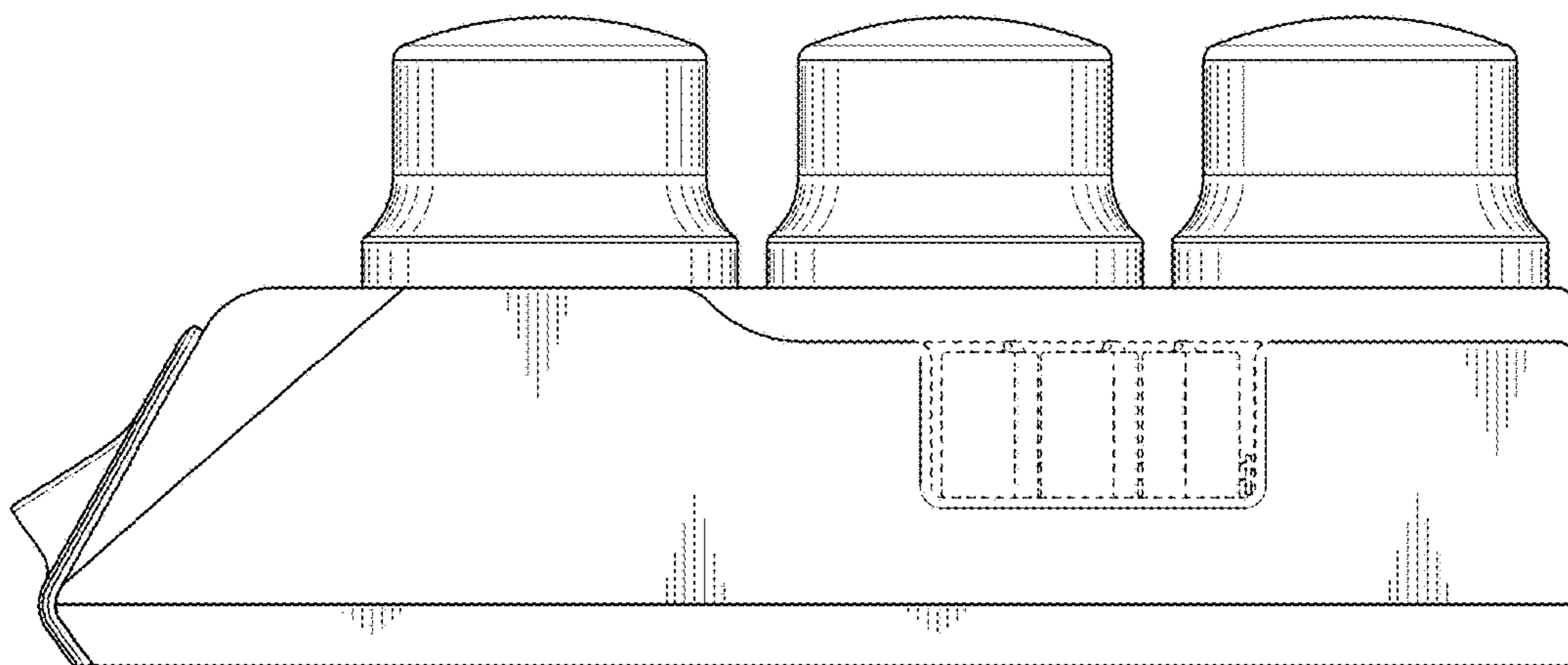


FIG. 5

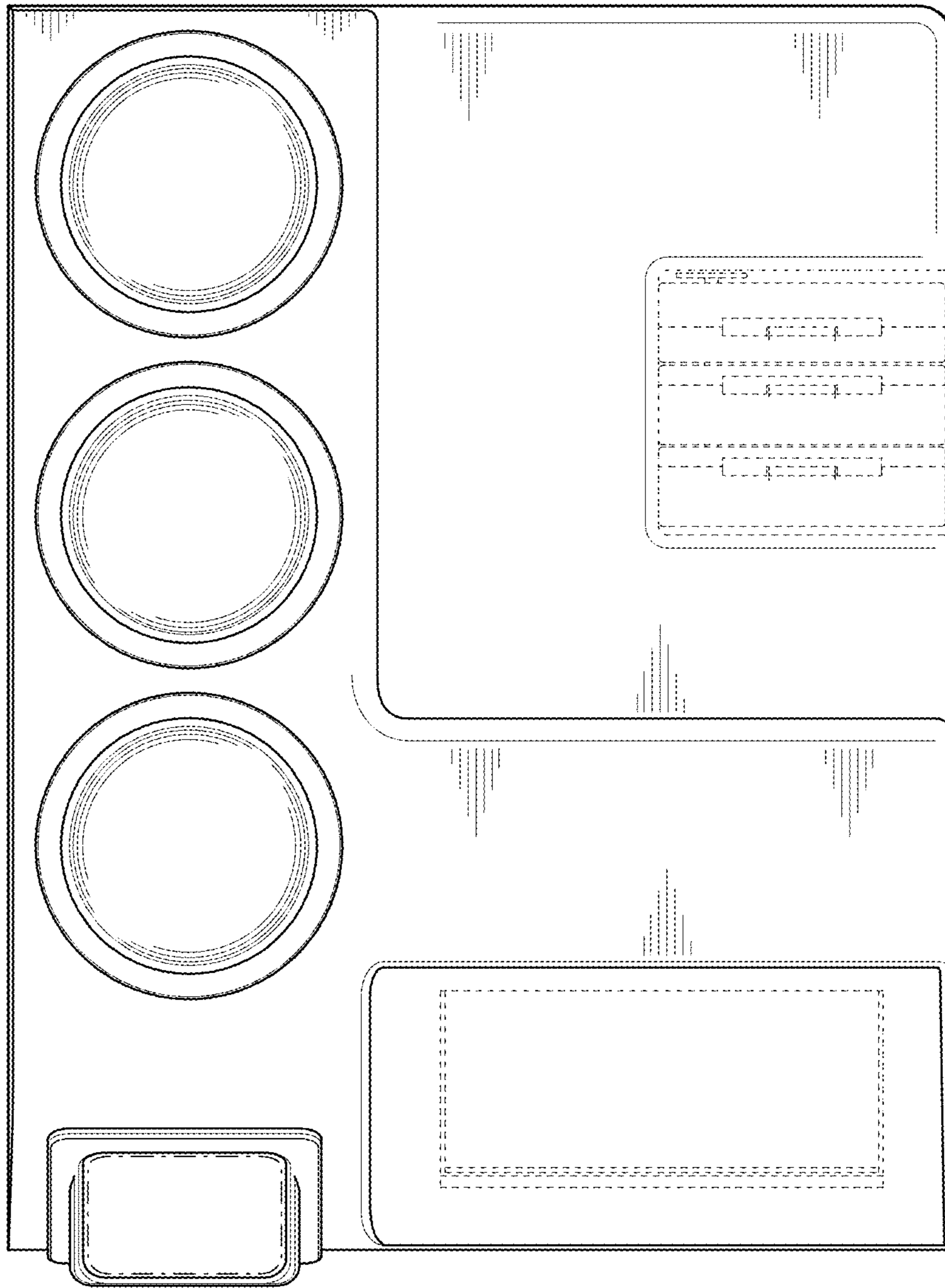


FIG. 6

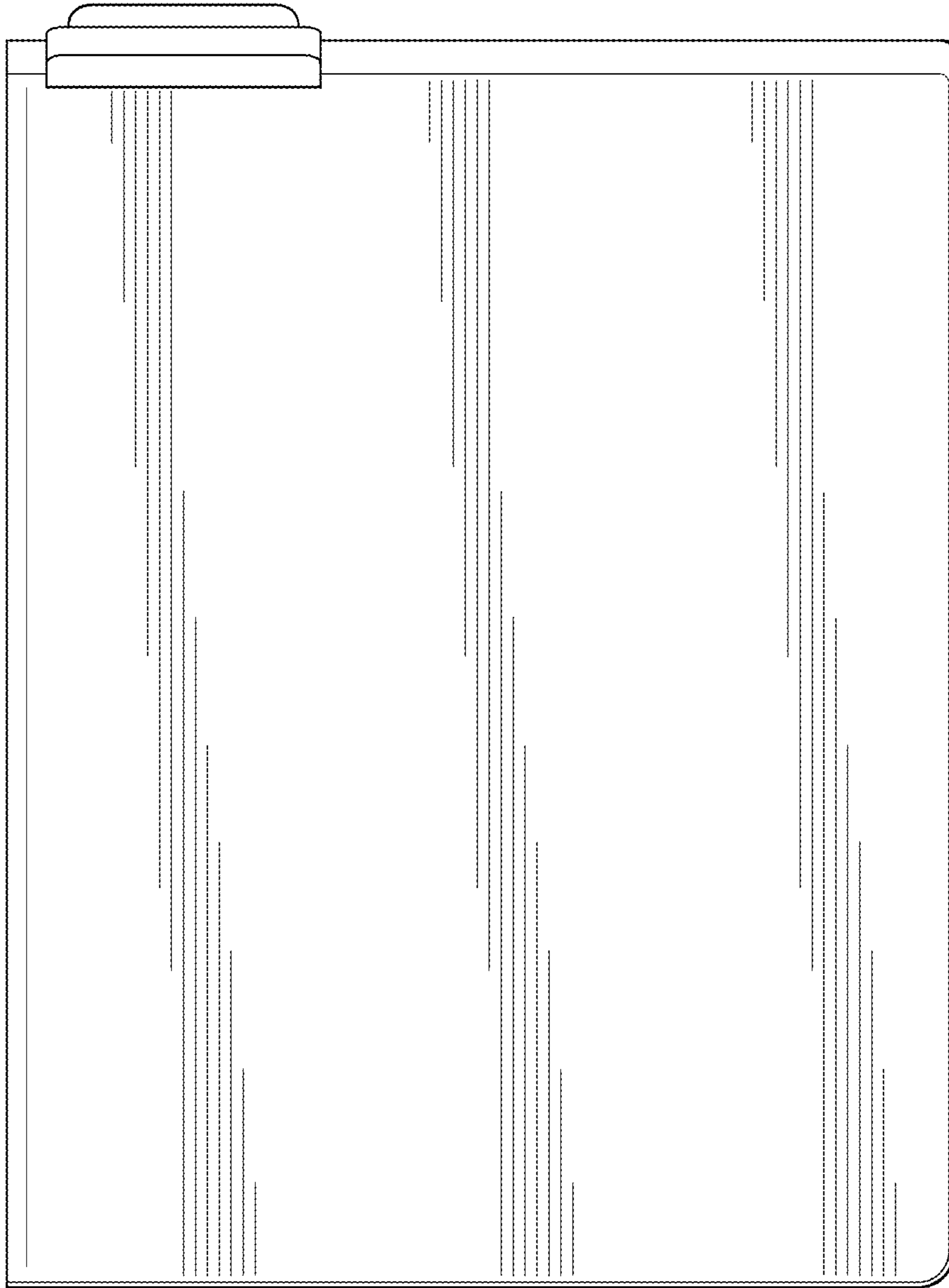


FIG. 7

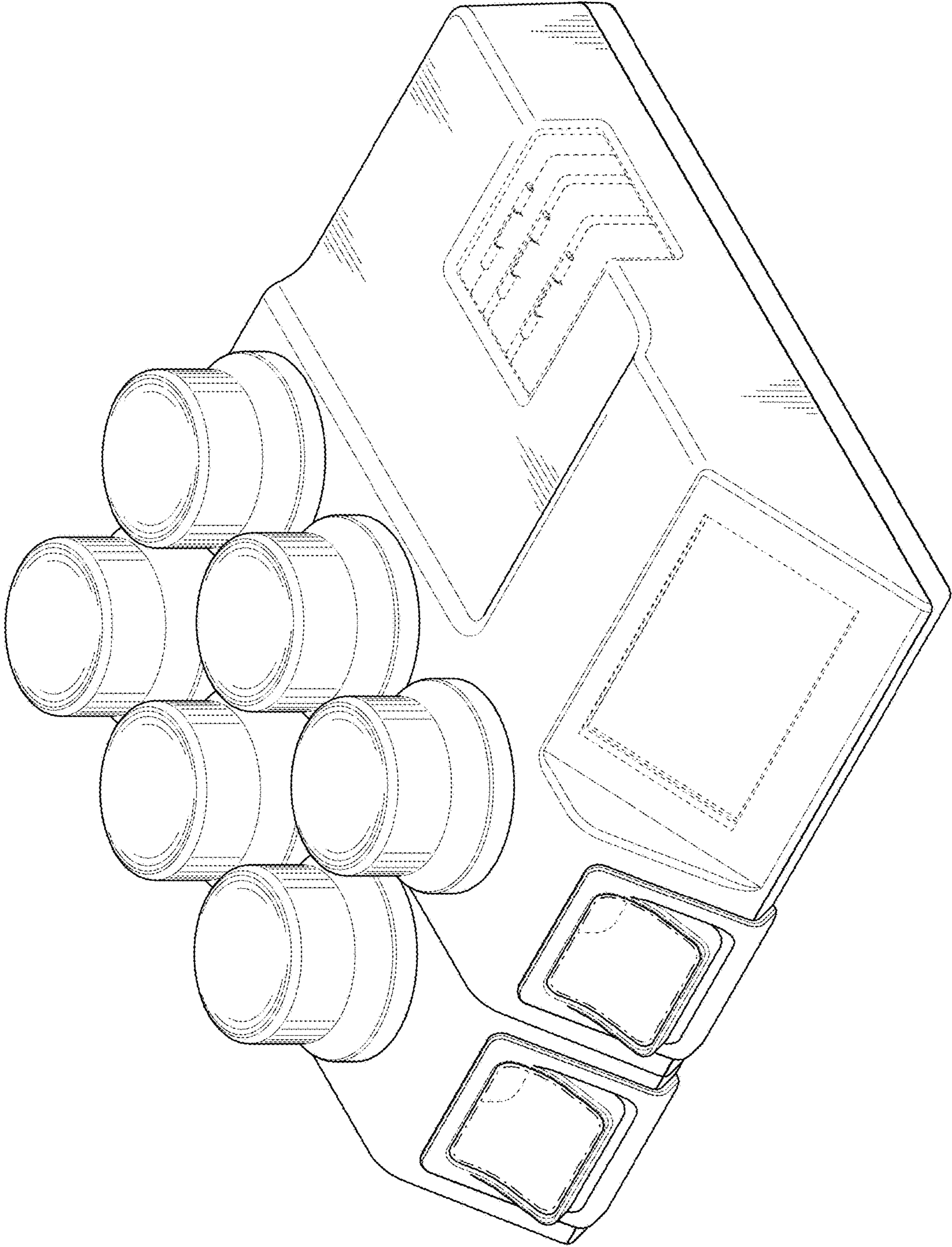


FIG. 8

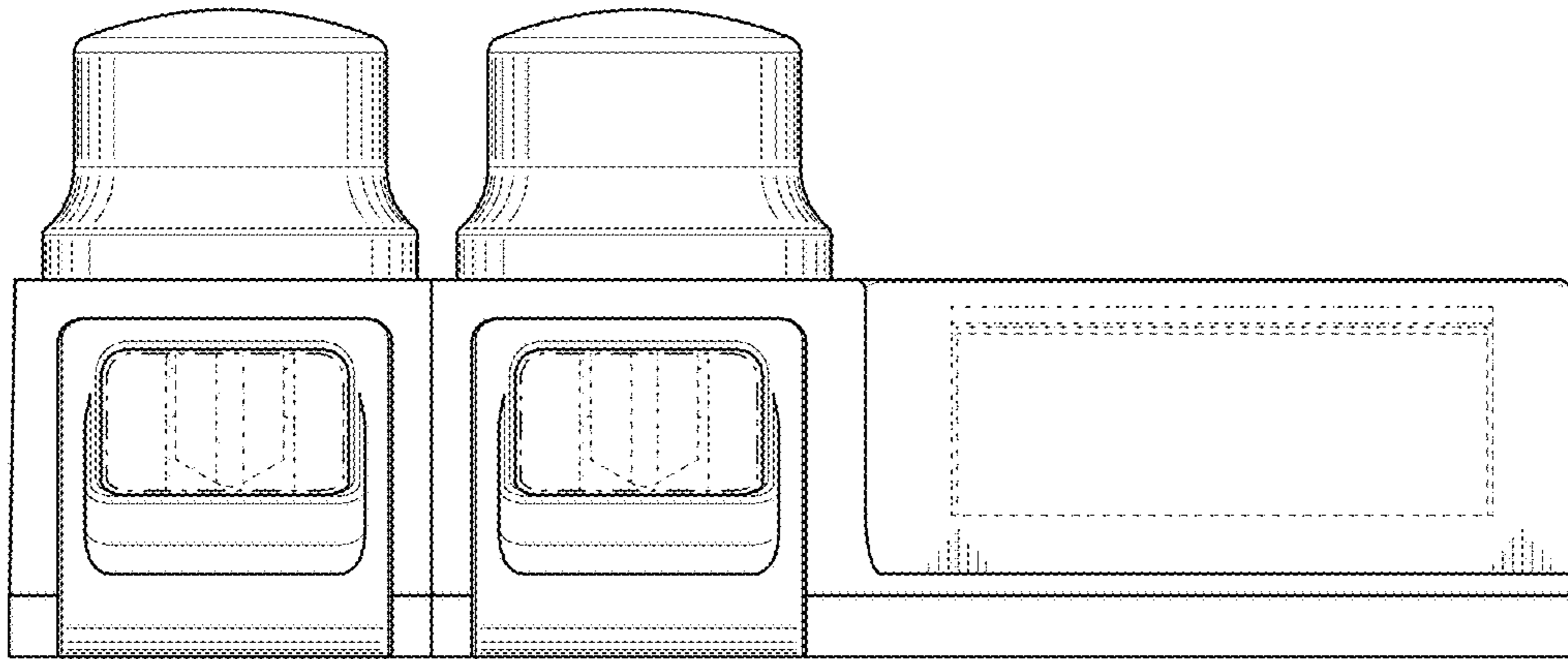


FIG. 9

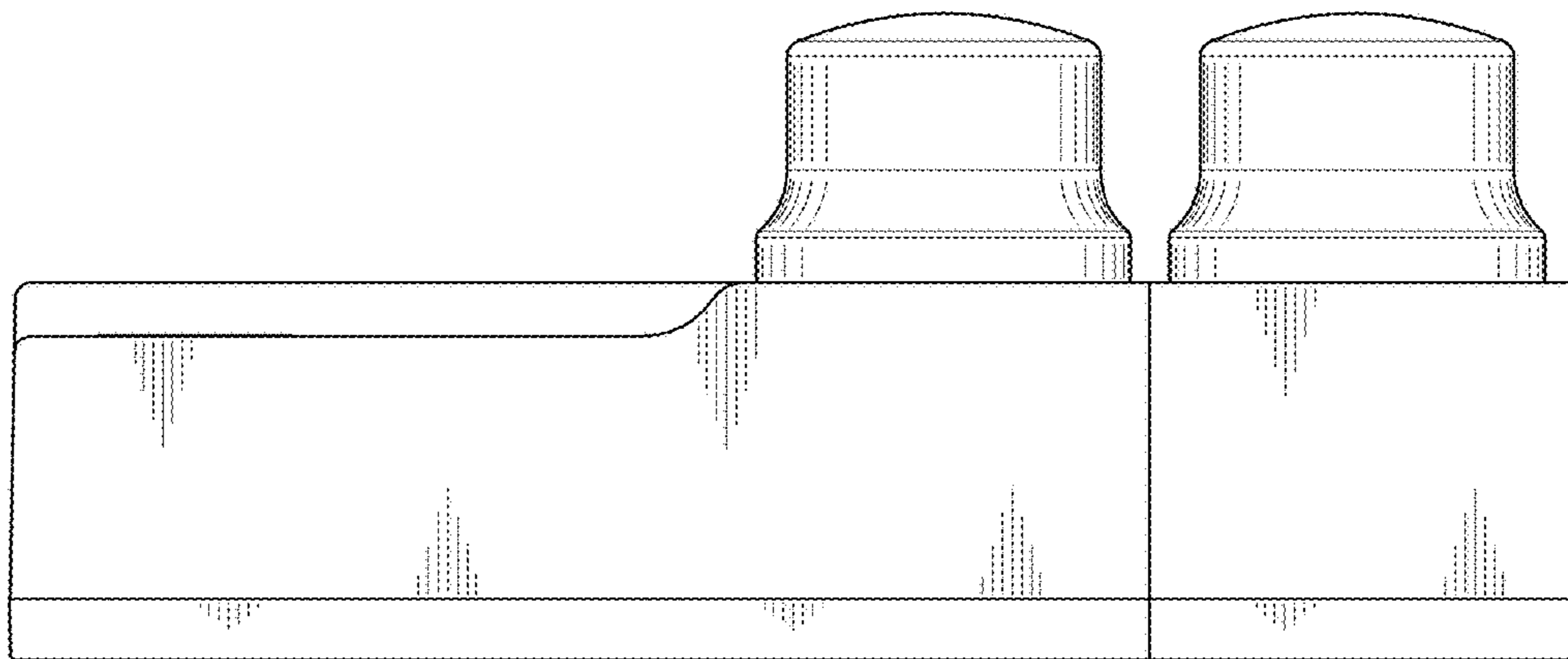


FIG. 10

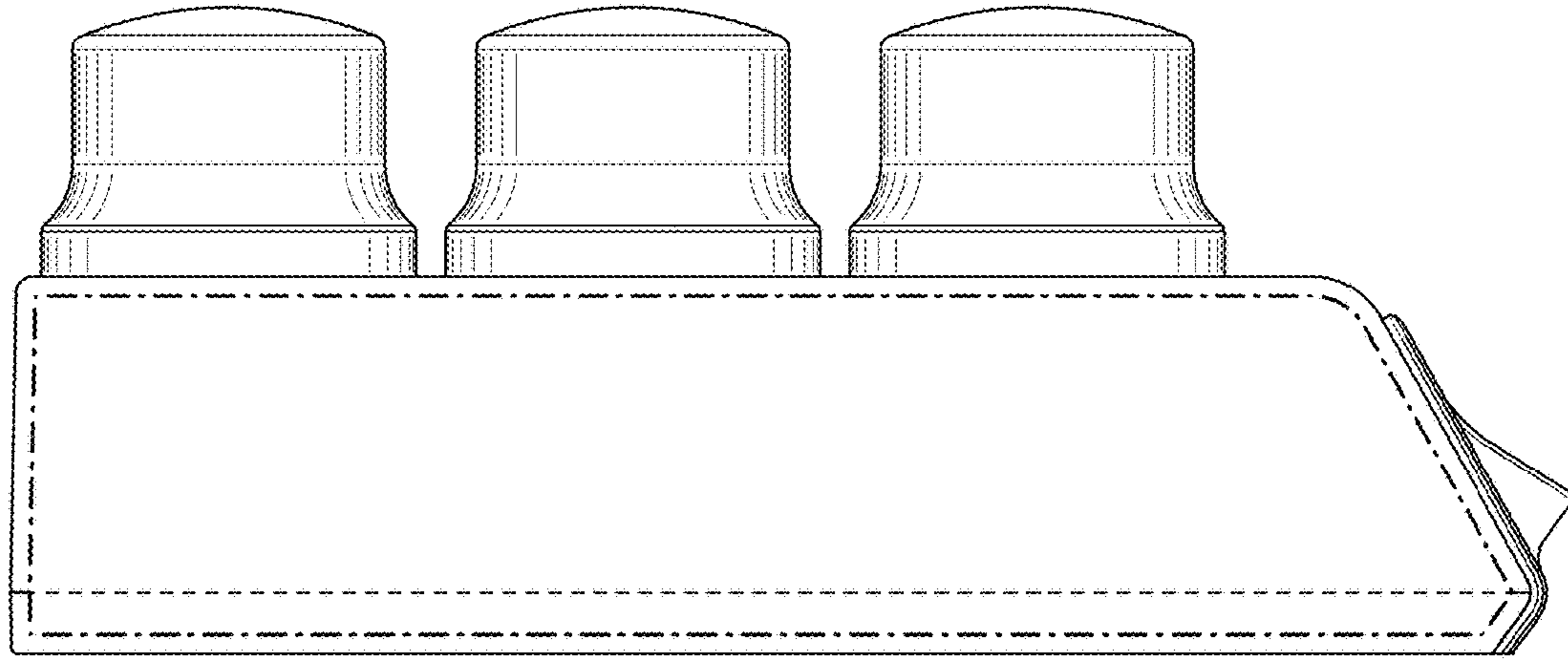


FIG. 11

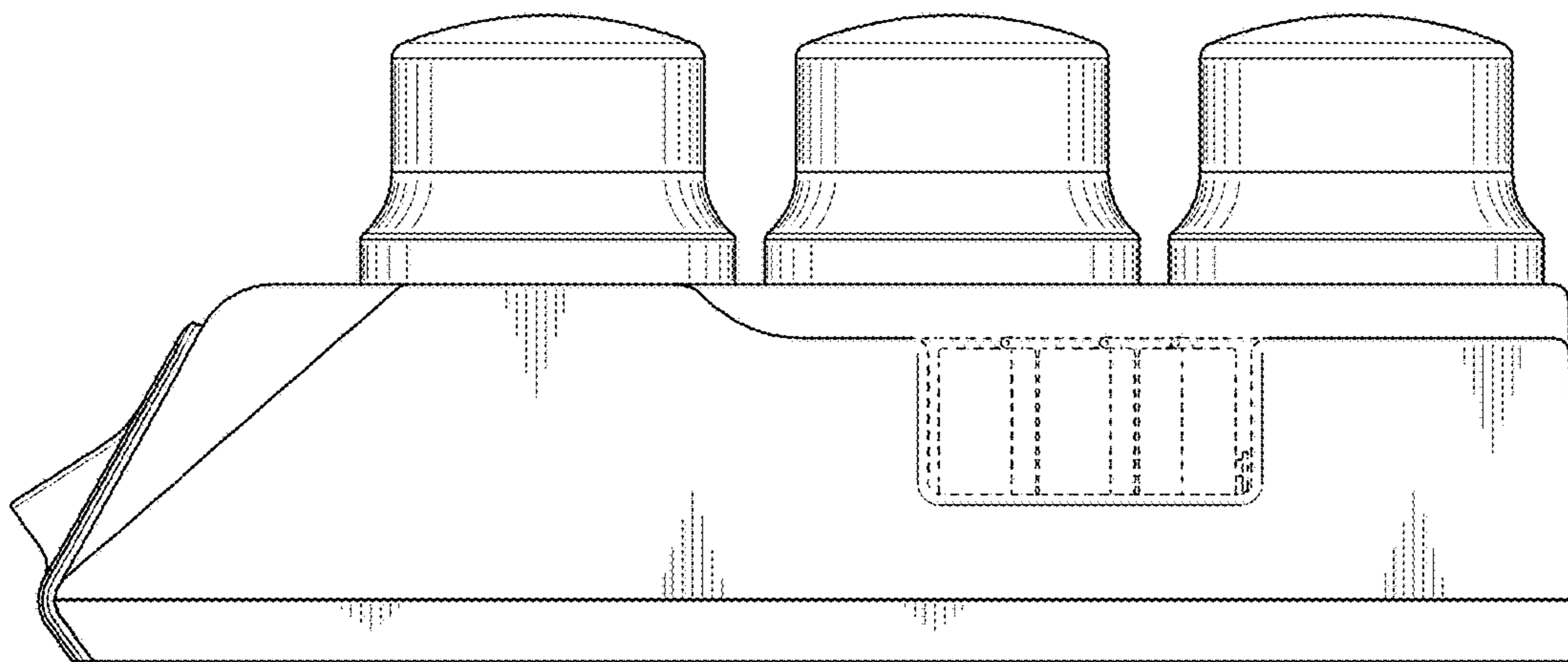


FIG. 12

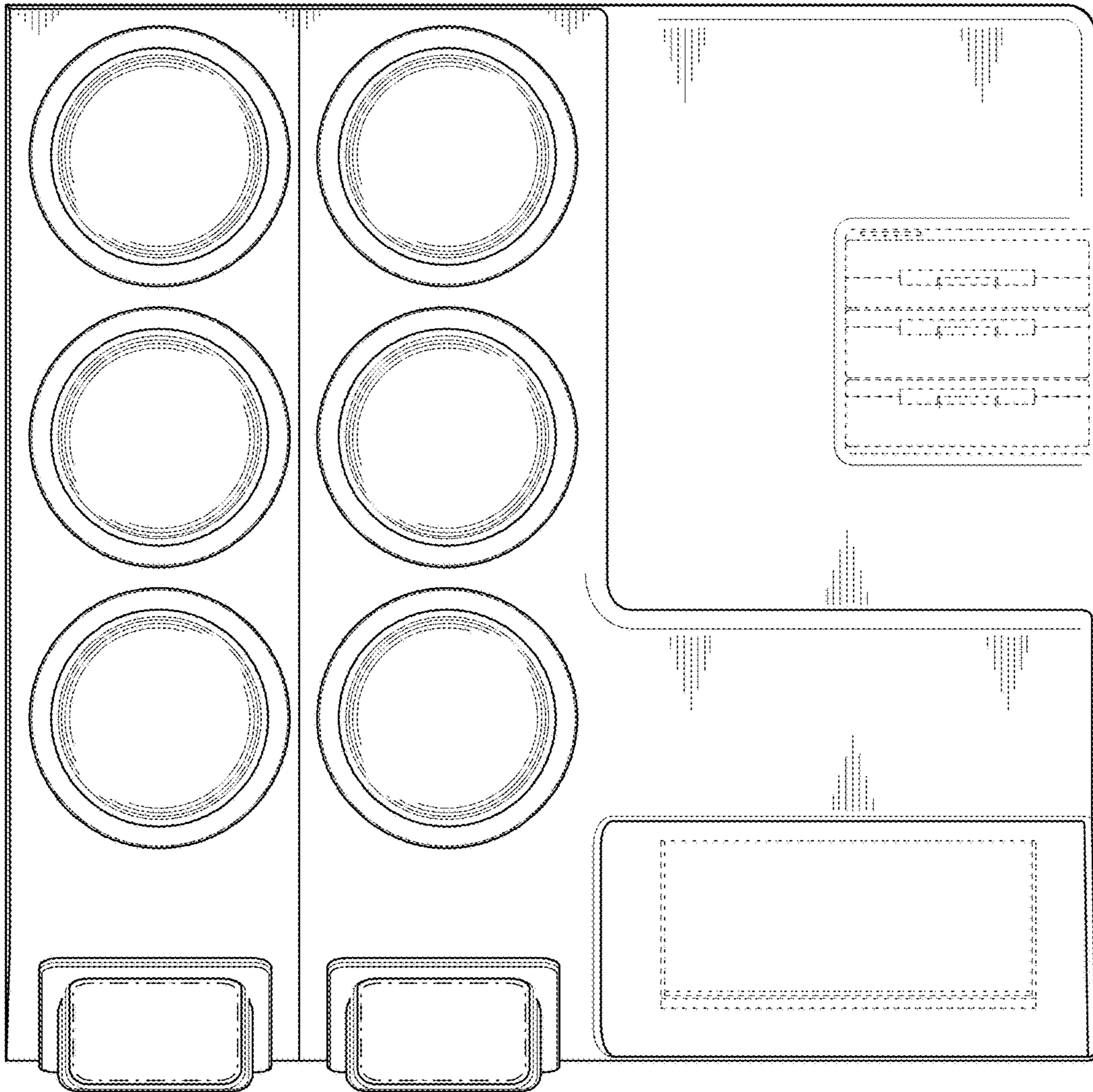


FIG. 13

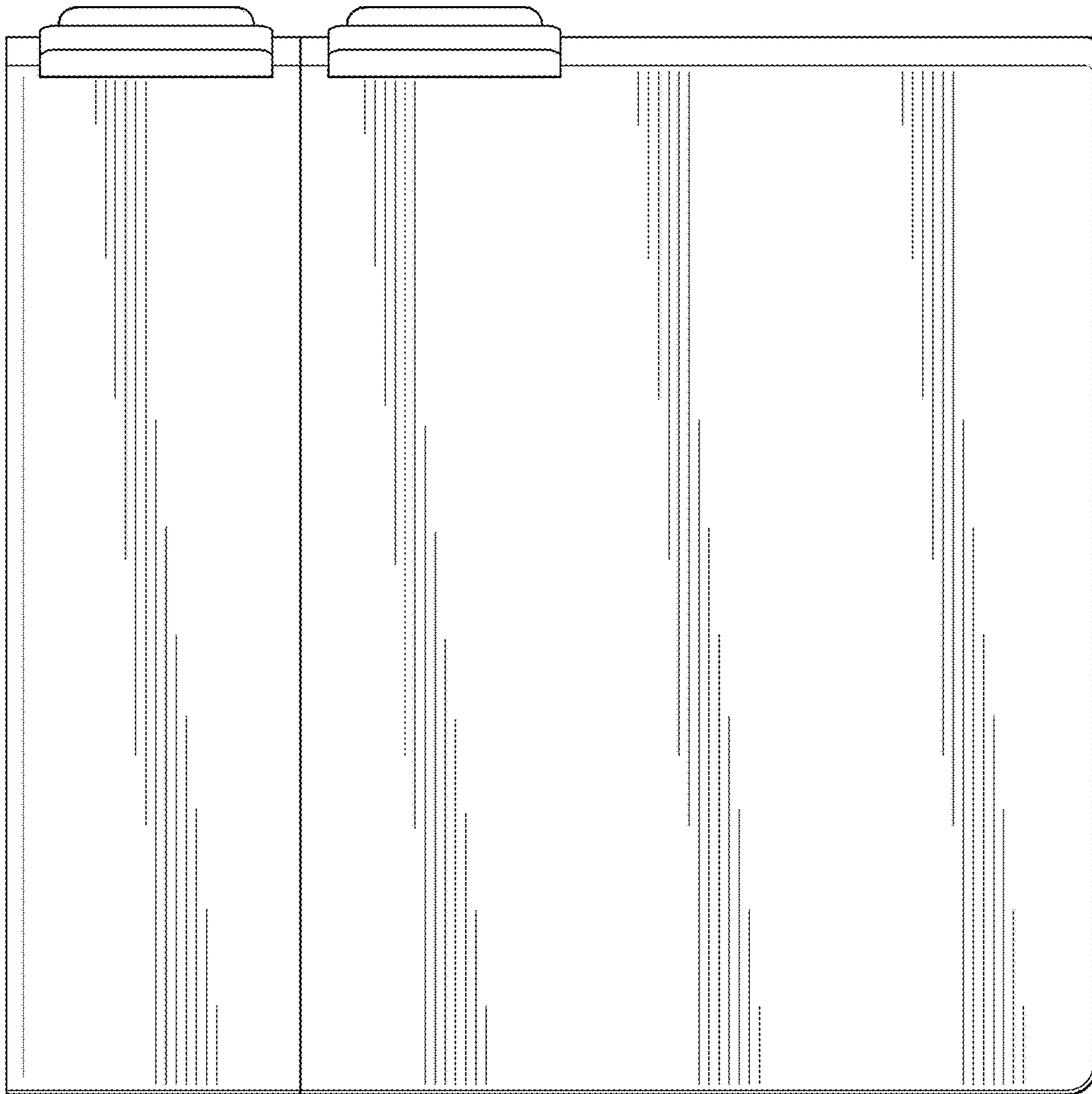


FIG. 14

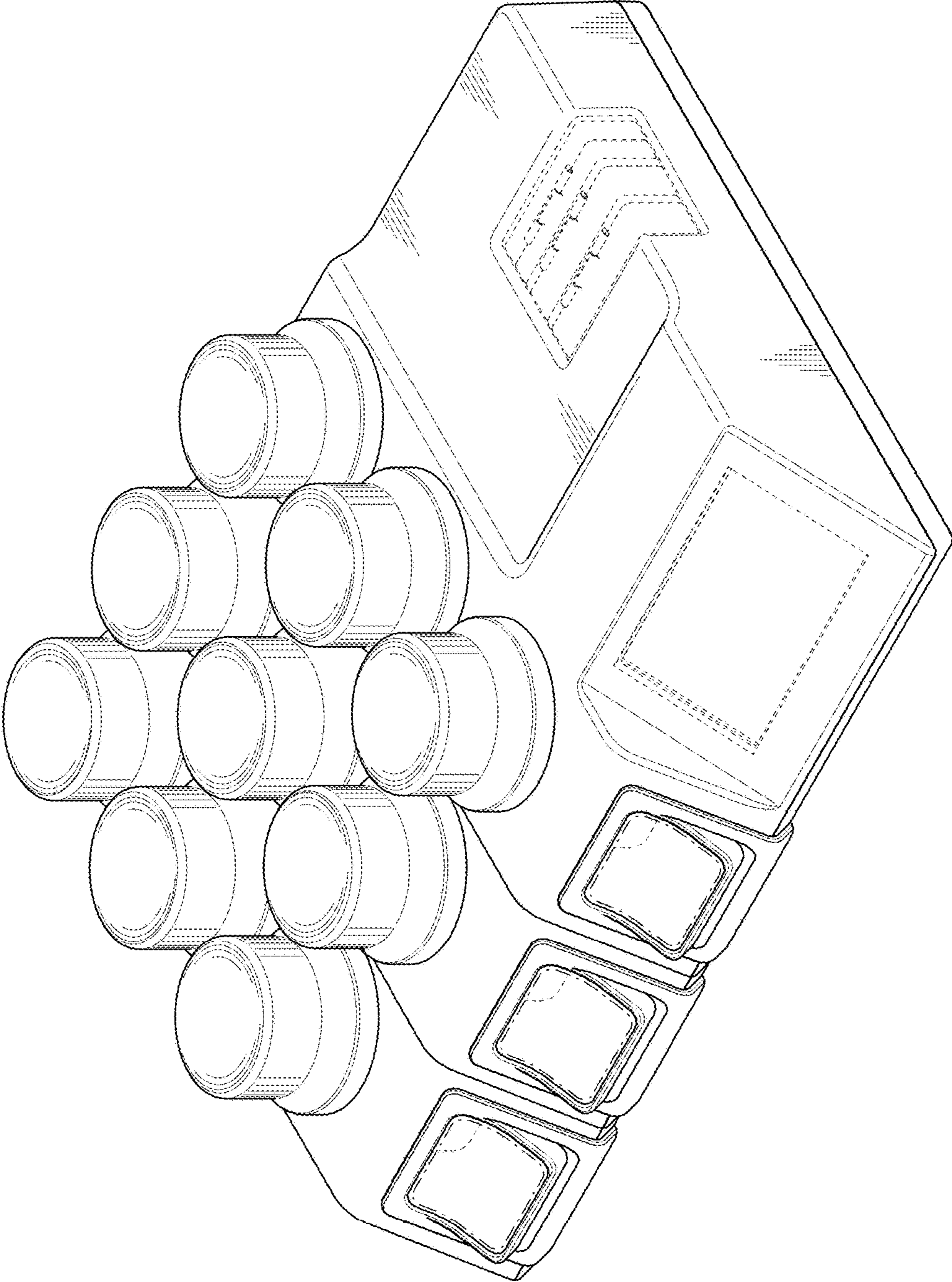


FIG. 15

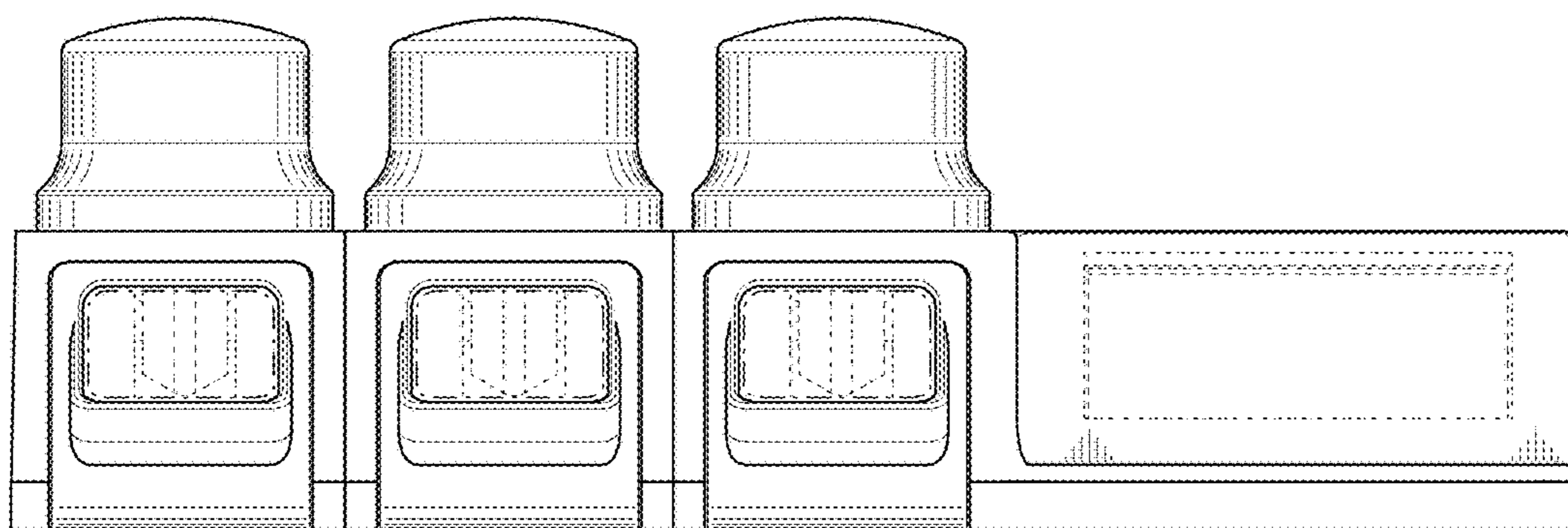


FIG. 16

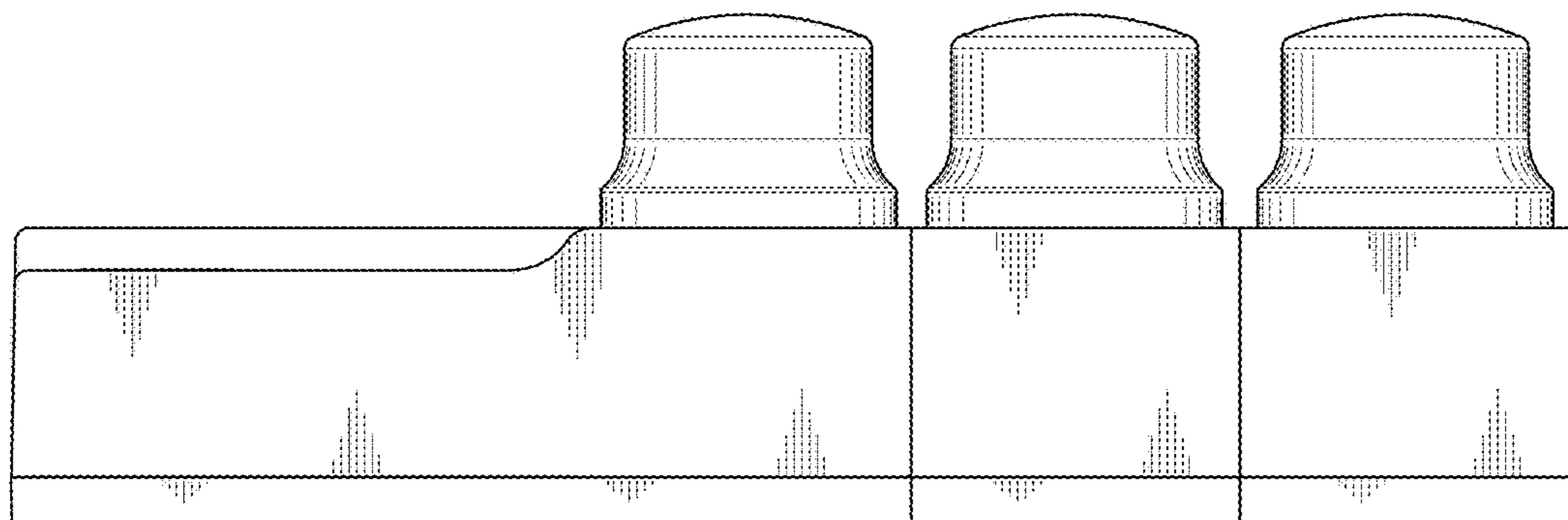


FIG. 17

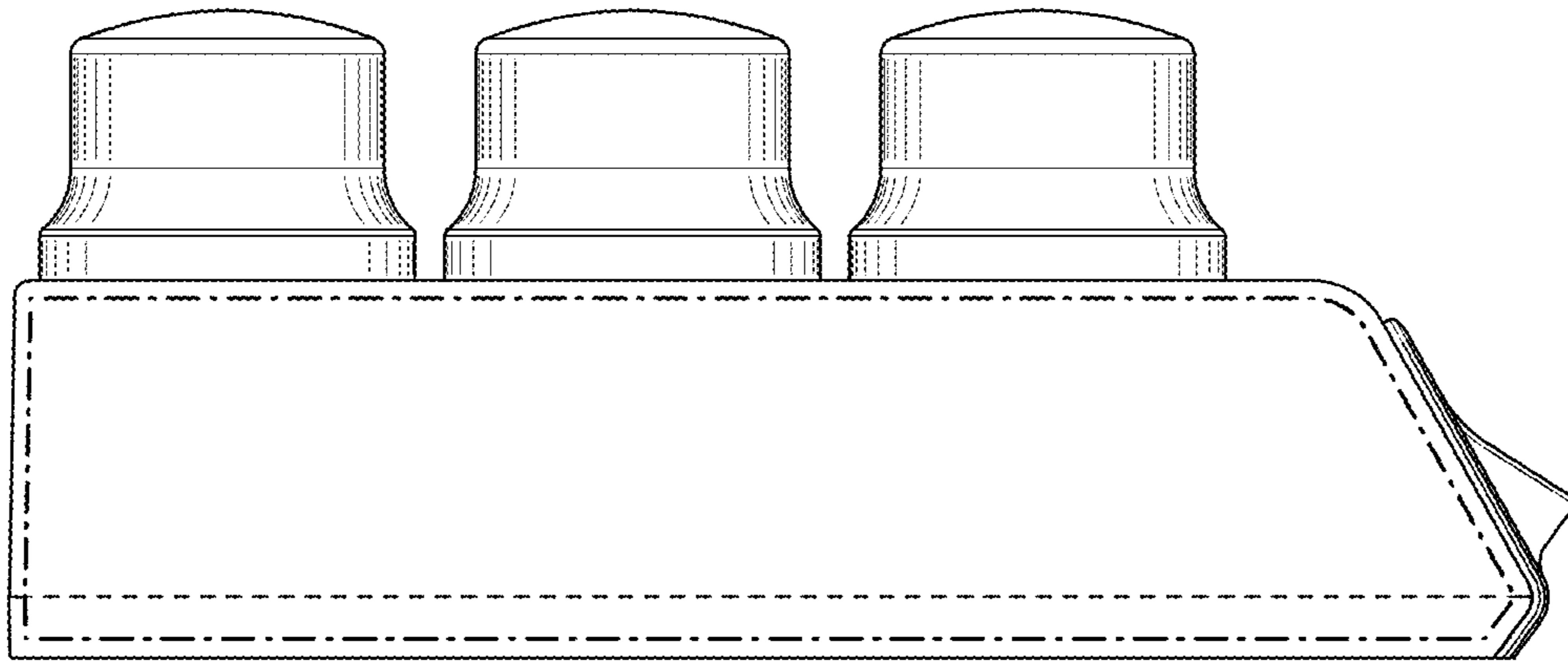


FIG. 18

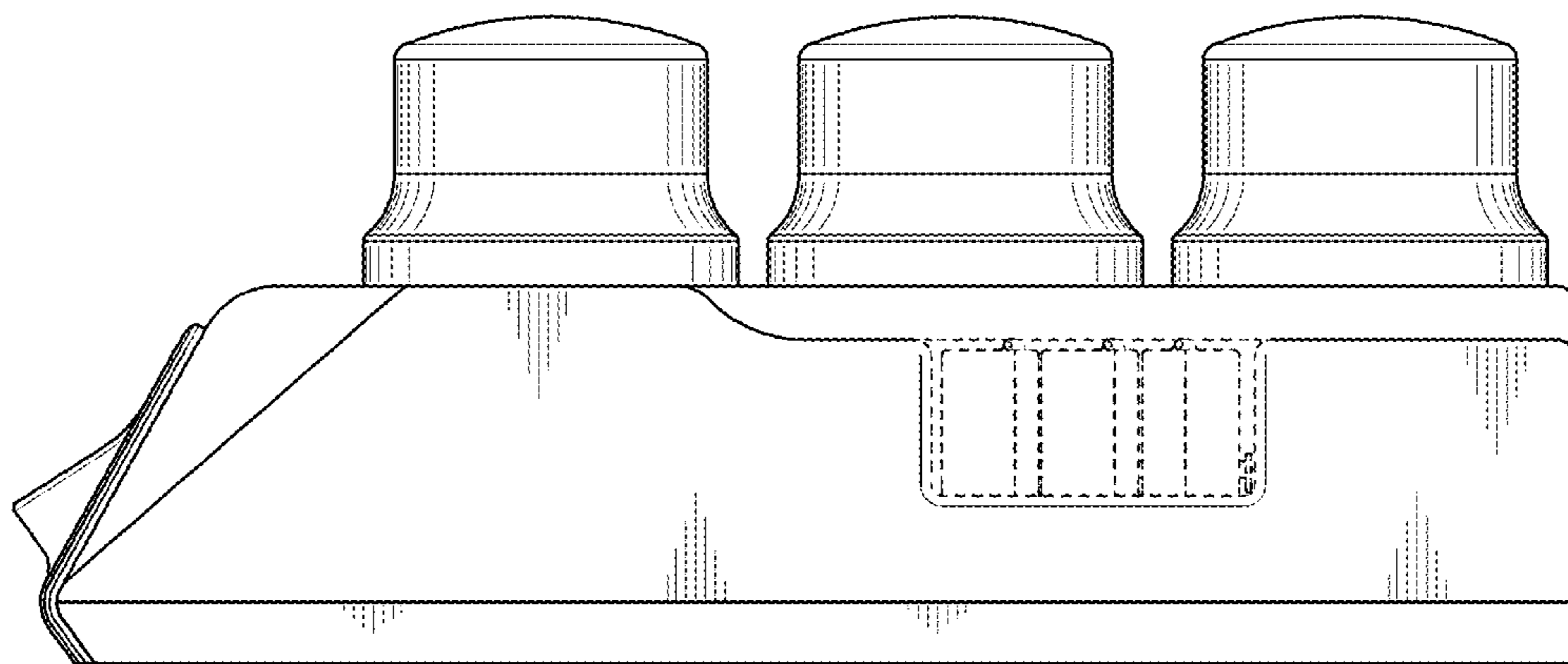


FIG. 19

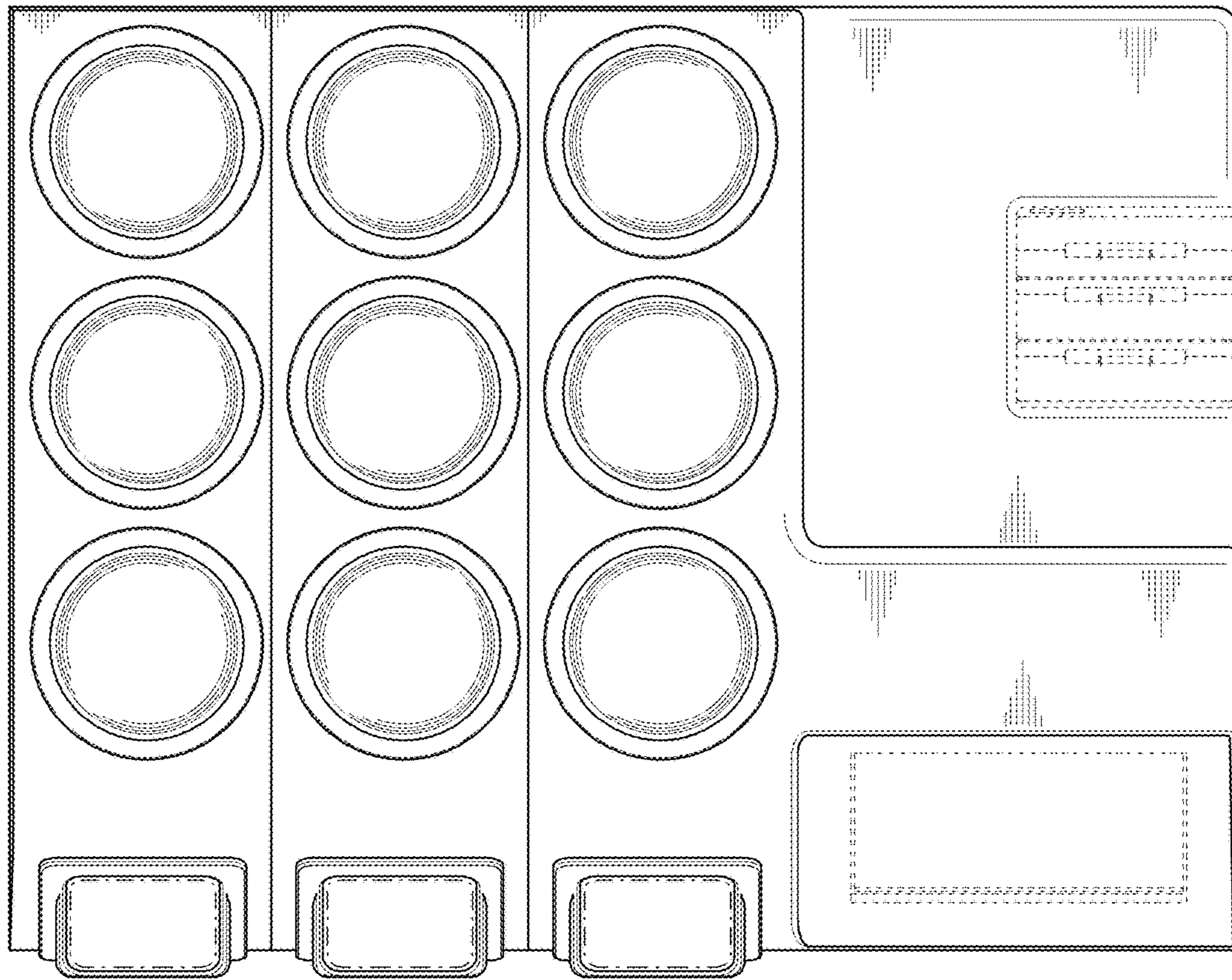


FIG. 20

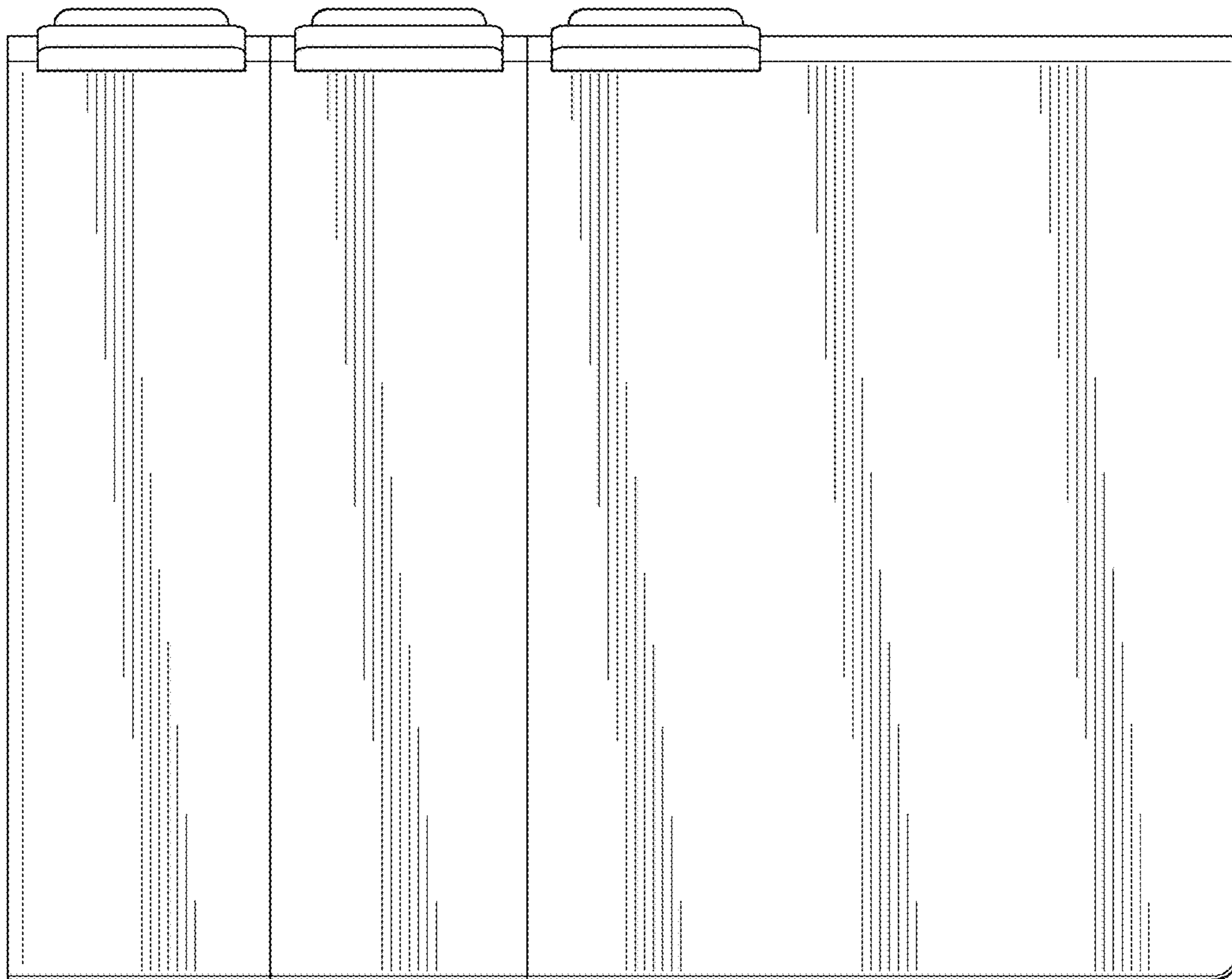


FIG. 21