



US00D812245S

(12) **United States Design Patent** (10) **Patent No.:** **US D812,245 S**
Hommel et al. (45) **Date of Patent:** **** Mar. 6, 2018**

(54) **DISPENSER MODULE**

(71) Applicant: **Children's Hospital Medical Center,**
Cincinnati, OH (US)

(72) Inventors: **Kevin A. Hommel,** Loveland, OH
(US); **Steven J. Doehler,** Cincinnati,
OH (US)

(73) Assignee: **Children's Hospital Medical Center,**
Cincinnati, OH (US)

(**) Term: **15 Years**

(21) Appl. No.: **29/572,997**

(22) Filed: **Aug. 2, 2016**

(51) **LOC (11) Cl.** **24-99**

(52) **U.S. Cl.**
USPC **D24/231; D3/203.3**

(58) **Field of Classification Search**
USPC **D24/231; D9/733, 740; D3/203.1,**
D3/203.2, 203.3
CPC **B65D 83/04; B65D 83/0409**
See application file for complete search history.

(56) **References Cited**

U.S. PATENT DOCUMENTS

D103,887 S *	3/1937	Conner	D28/77
D227,551 S *	7/1973	Crutchfield	D9/740
D252,072 S *	6/1979	Bridges	D3/203.3
D292,266 S *	10/1987	Vanlanen	D9/517
D340,860 S *	11/1993	Gordon	D24/226
D350,478 S *	9/1994	Fuller	D3/203.3
D393,418 S *	4/1998	Doan	D3/203.3
D426,461 S *	6/2000	Noble	D3/203.3

(Continued)

FOREIGN PATENT DOCUMENTS

DE 10236909 * 2/2004

OTHER PUBLICATIONS

Clever Cap, Compliance Meds Technologies, LLC, 2013, down-
loaded from <https://ssl.clevercap.org/arc/about.html> on Nov. 4,
2016, 2 pgs.

Primary Examiner — Sheryl Lane

Assistant Examiner — Calvin E Vansant

(74) *Attorney, Agent, or Firm* — Frost Brown Todd LLC

(57) **CLAIM**

The ornamental design for a dispenser module, as shown and described.

DESCRIPTION

FIG. 1 is a top front perspective view of a first embodiment of the ornamental design, shown detached from an exemplary dispenser usable therewith.

FIG. 2 is a front elevation view thereof.

FIG. 3 is a rear elevation view thereof.

FIG. 4 is a side elevation view thereof.

FIG. 5 is a side elevation view thereof, showing the opposite side view to FIG. 4.

FIG. 6 is a top plan view thereof.

FIG. 7 is a bottom plan view thereof.

FIG. 8 is a top front perspective view of a second embodiment of the ornamental design, shown detached from an exemplary dispenser usable therewith.

FIG. 9 is a front elevation view thereof.

FIG. 10 is a rear elevation view thereof.

FIG. 11 is a side elevation view thereof.

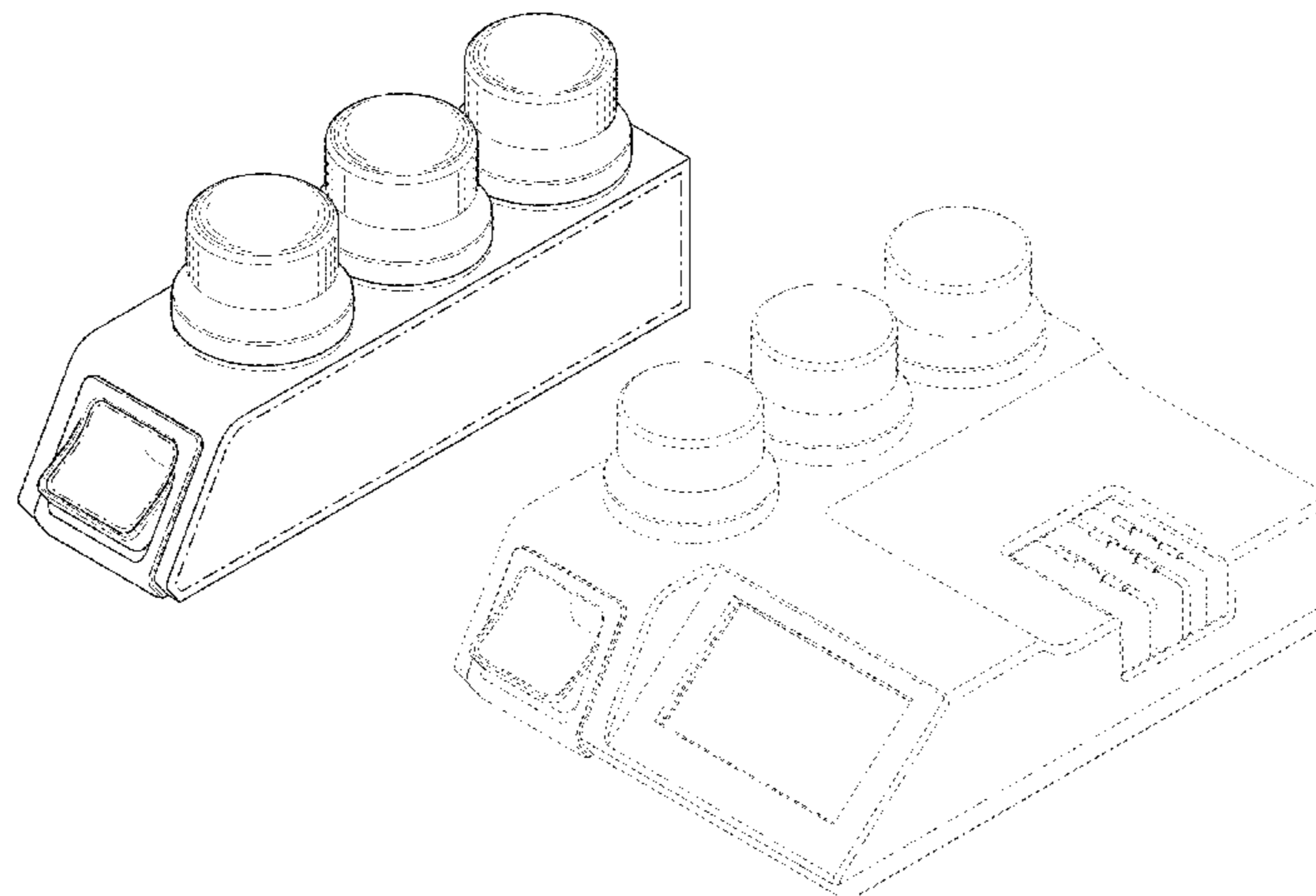
FIG. 12 is a side elevation view thereof, showing the opposite side view to FIG. 11.

FIG. 13 is a top plan view thereof; and,

FIG. 14 is a bottom plan view thereof.

The ornamental design which is claimed is shown in solid lines in the drawings. The evenly spaced broken lines in the drawings form no part of the claimed design. The dot-dash-dot lines in the drawings define the boundary of the claim, it being understood that the area within boundary and the dot-dash-dot lines themselves form no part of the claimed design.

1 Claim, 8 Drawing Sheets



(56)

References Cited

U.S. PATENT DOCUMENTS

D555,893	S	*	11/2007	Mulaw	D3/203.1
D622,499	S	*	8/2010	Sprada	D3/203.2
D642,789	S	*	8/2011	Cooper	D3/203.3
D707,441	S	*	6/2014	Bear	D3/203.3
D741,058	S	*	10/2015	Wiederman	D3/203.2
D749,428	S	*	2/2016	Fath	D9/737
D749,429	S	*	2/2016	Fath	D9/737

* cited by examiner

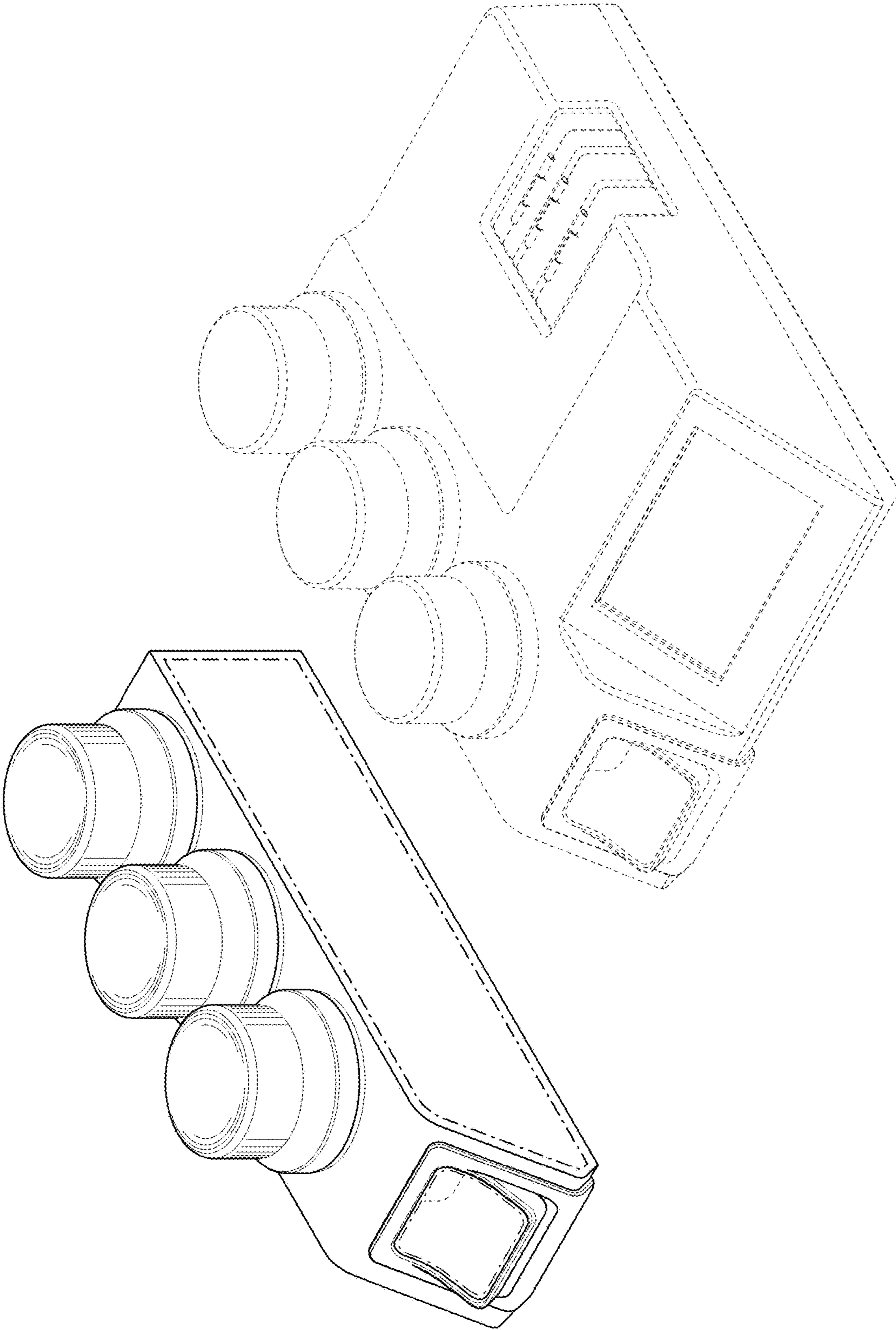


FIG. 1

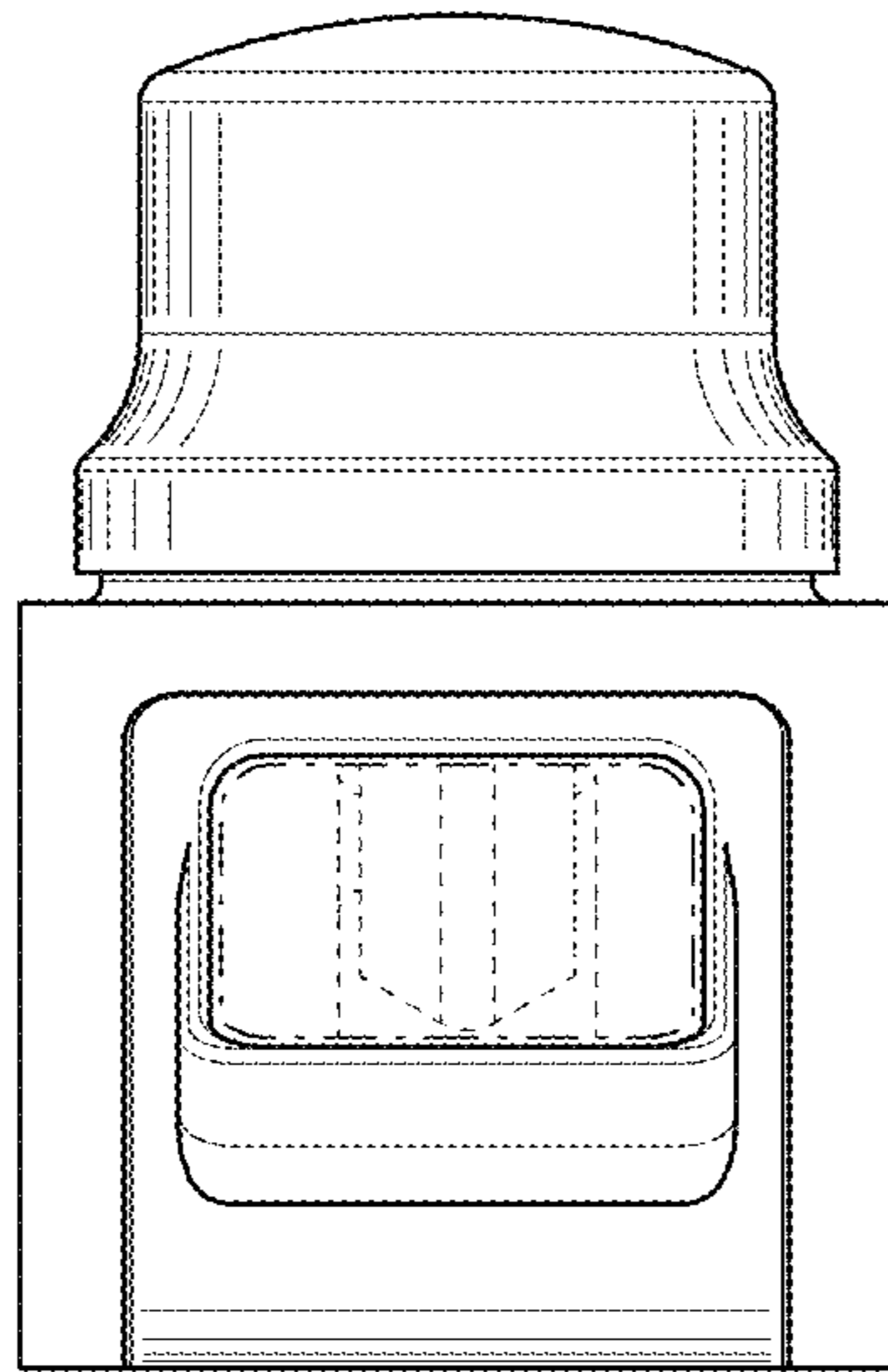


FIG. 2

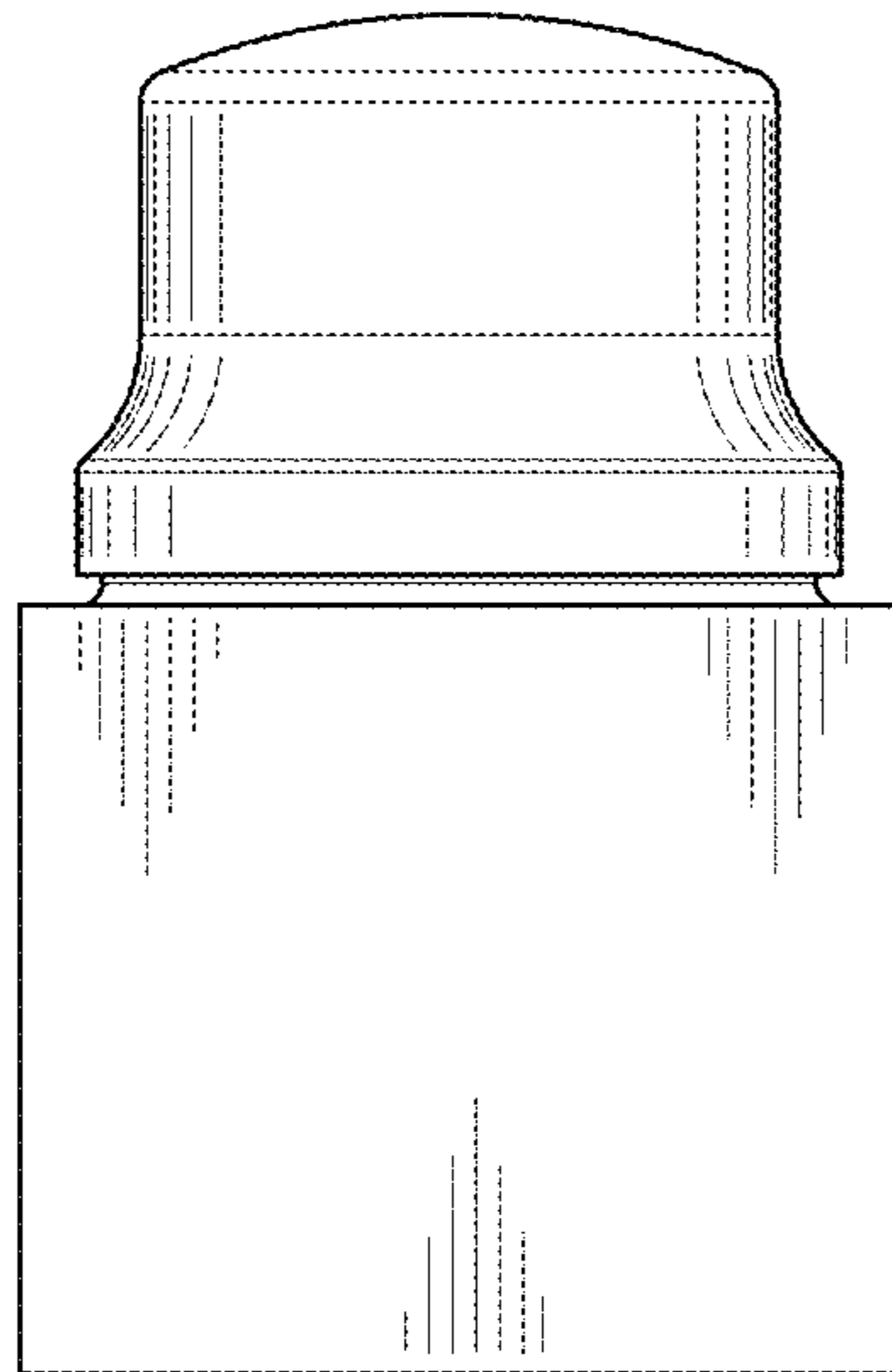


FIG. 3

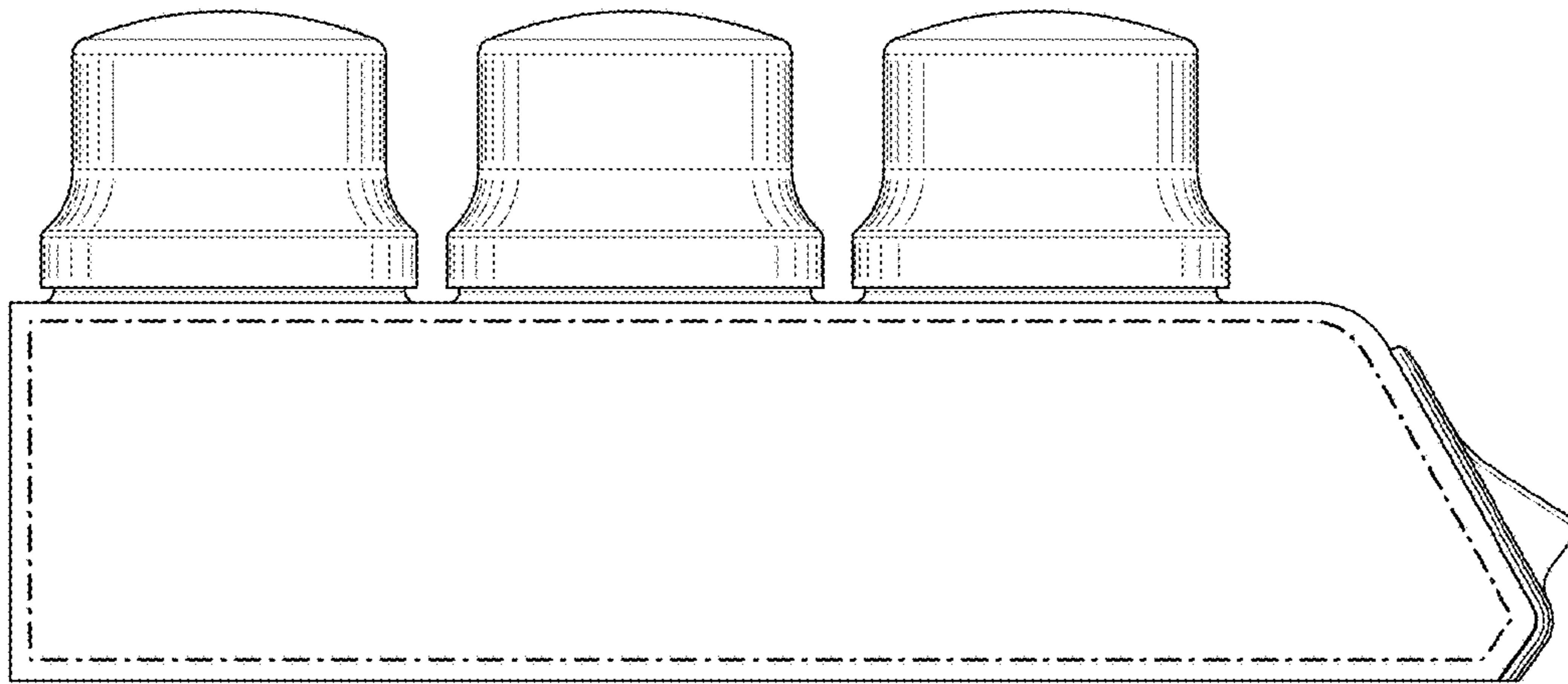


FIG. 4

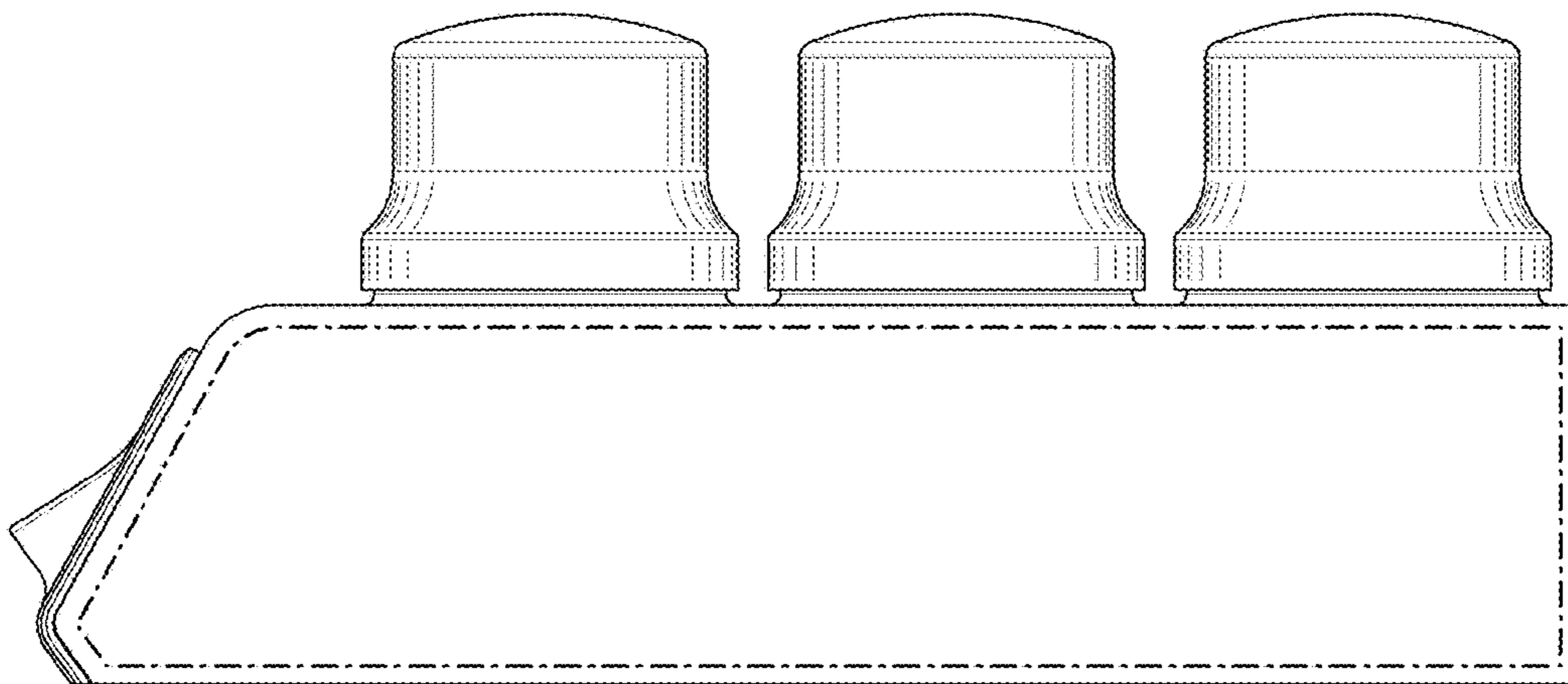


FIG. 5

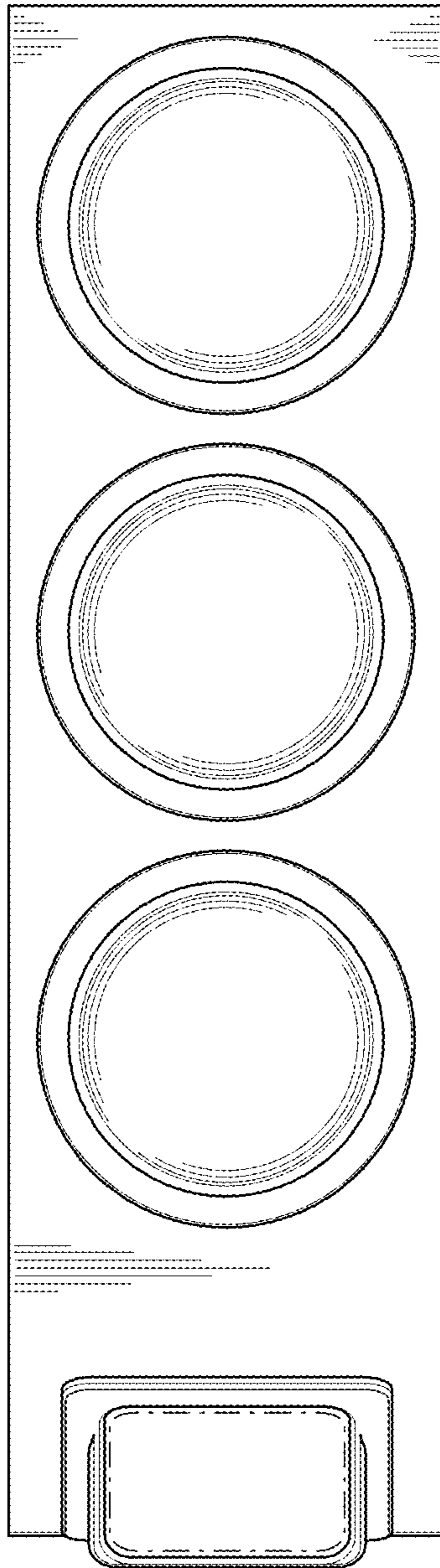


FIG. 6

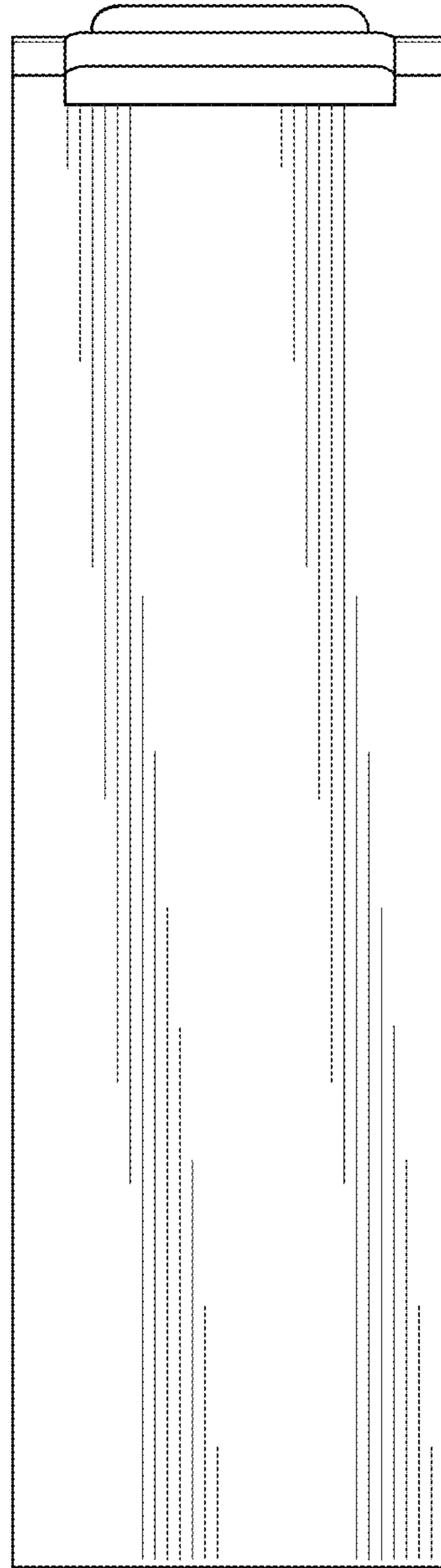


FIG. 7

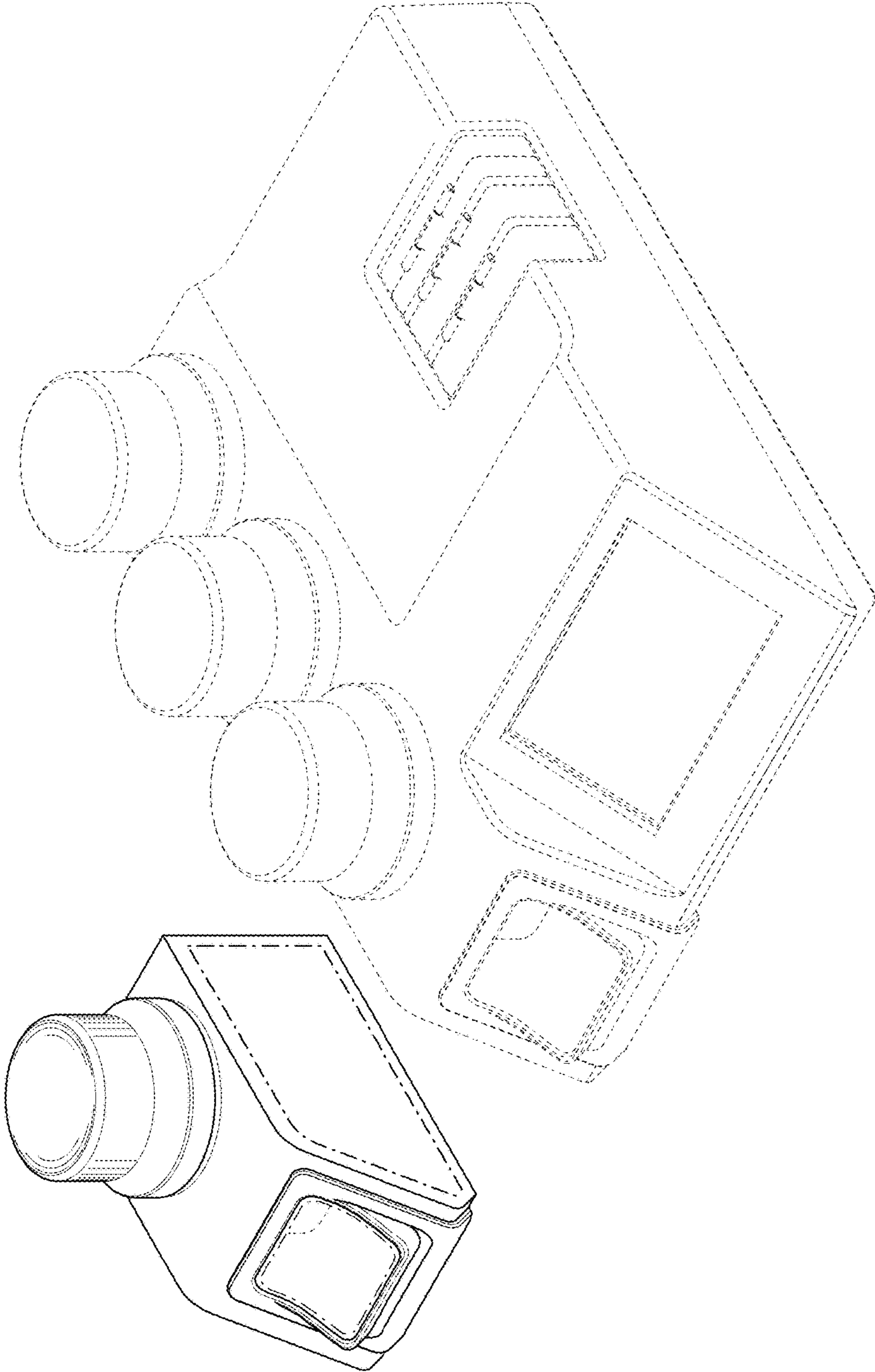


FIG. 8

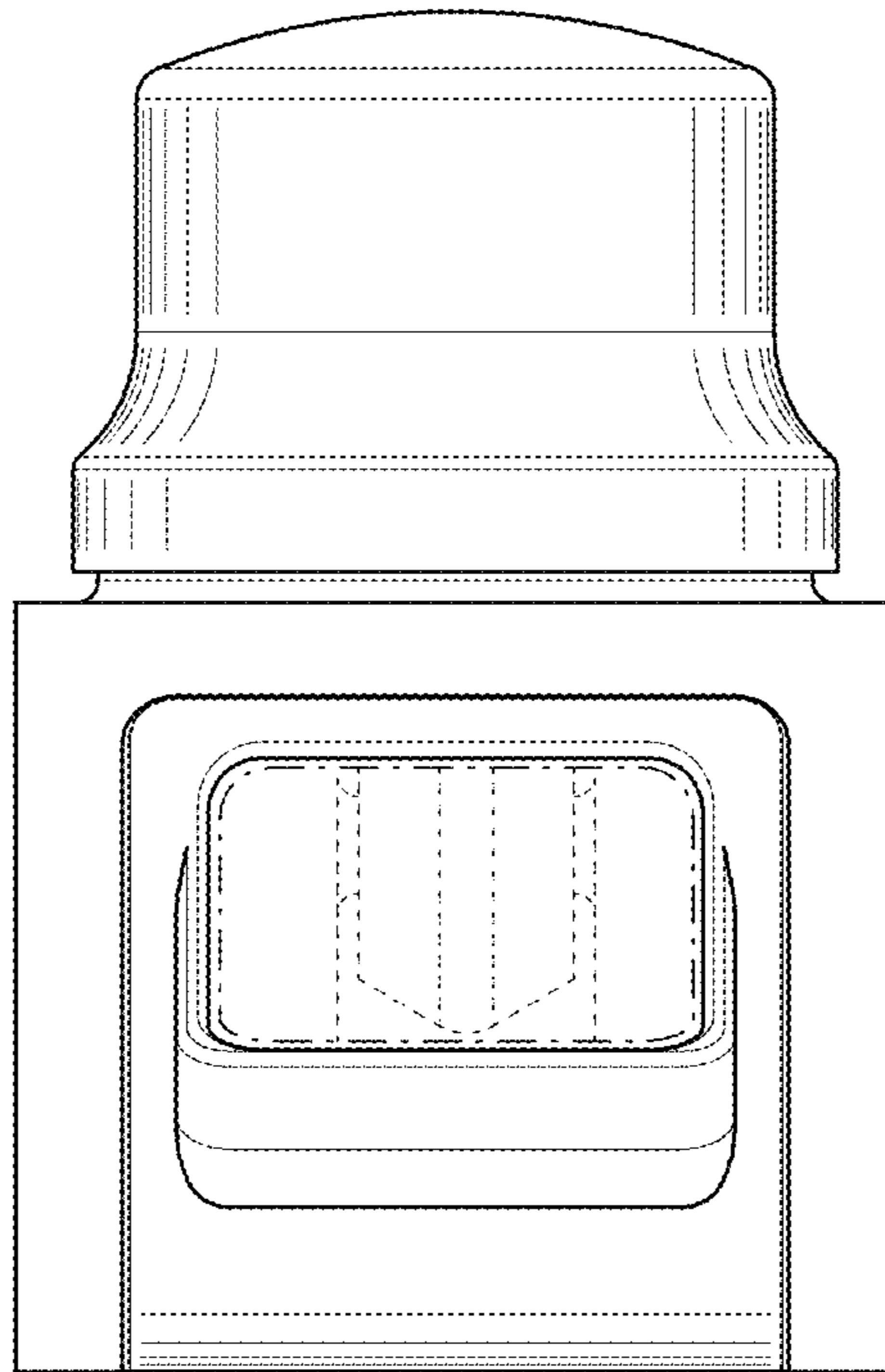


FIG. 9

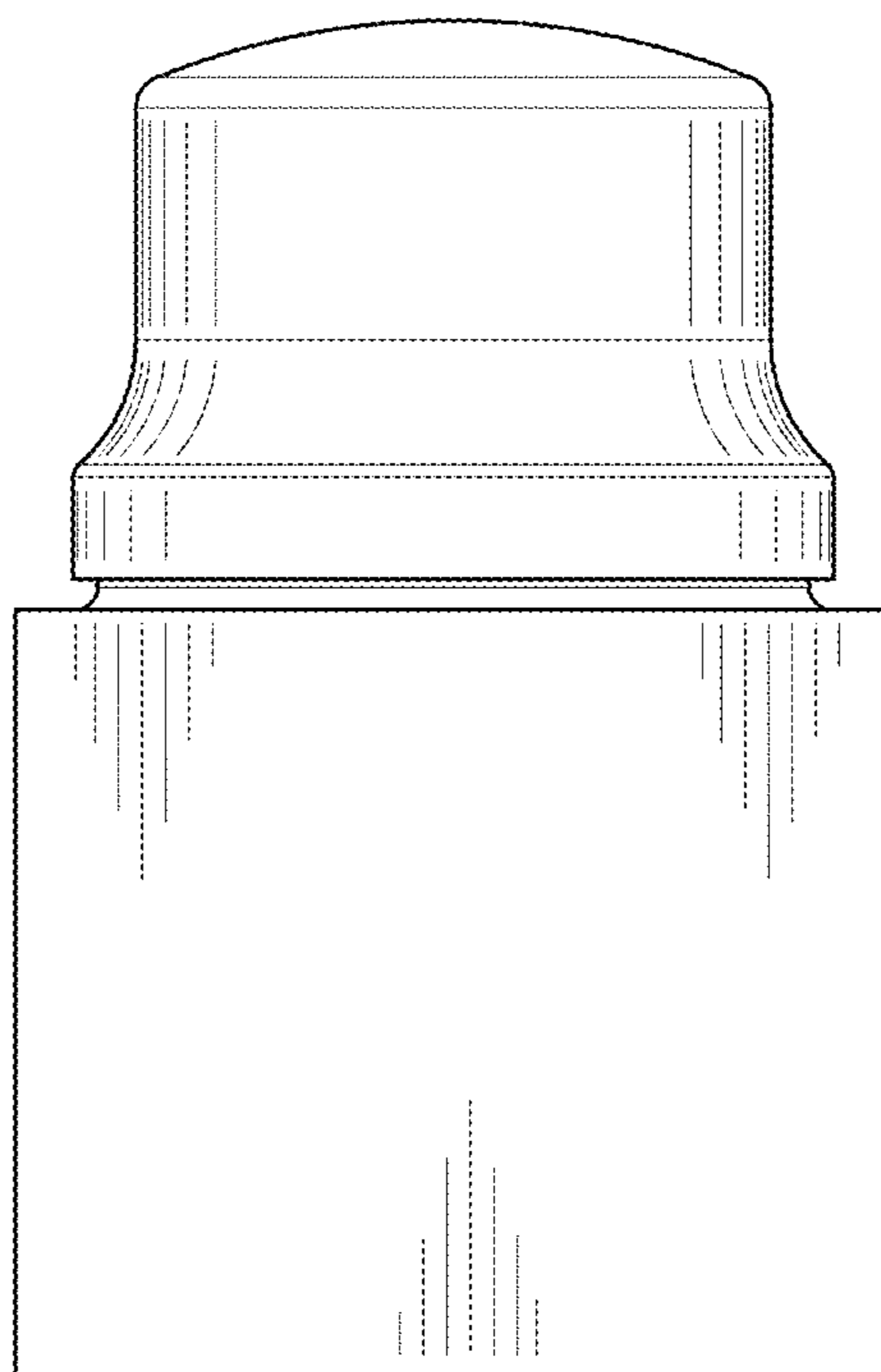


FIG. 10

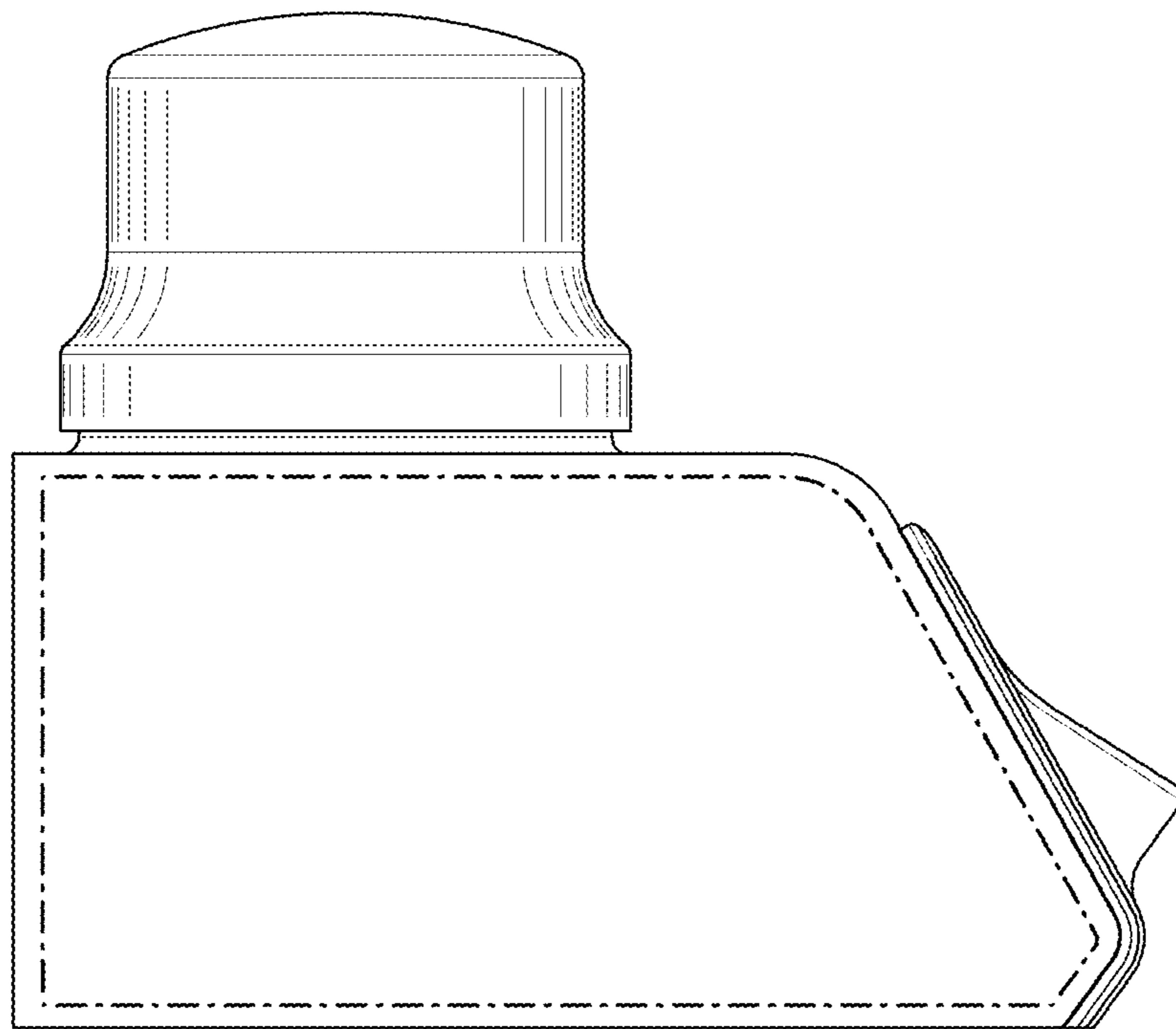


FIG. 11

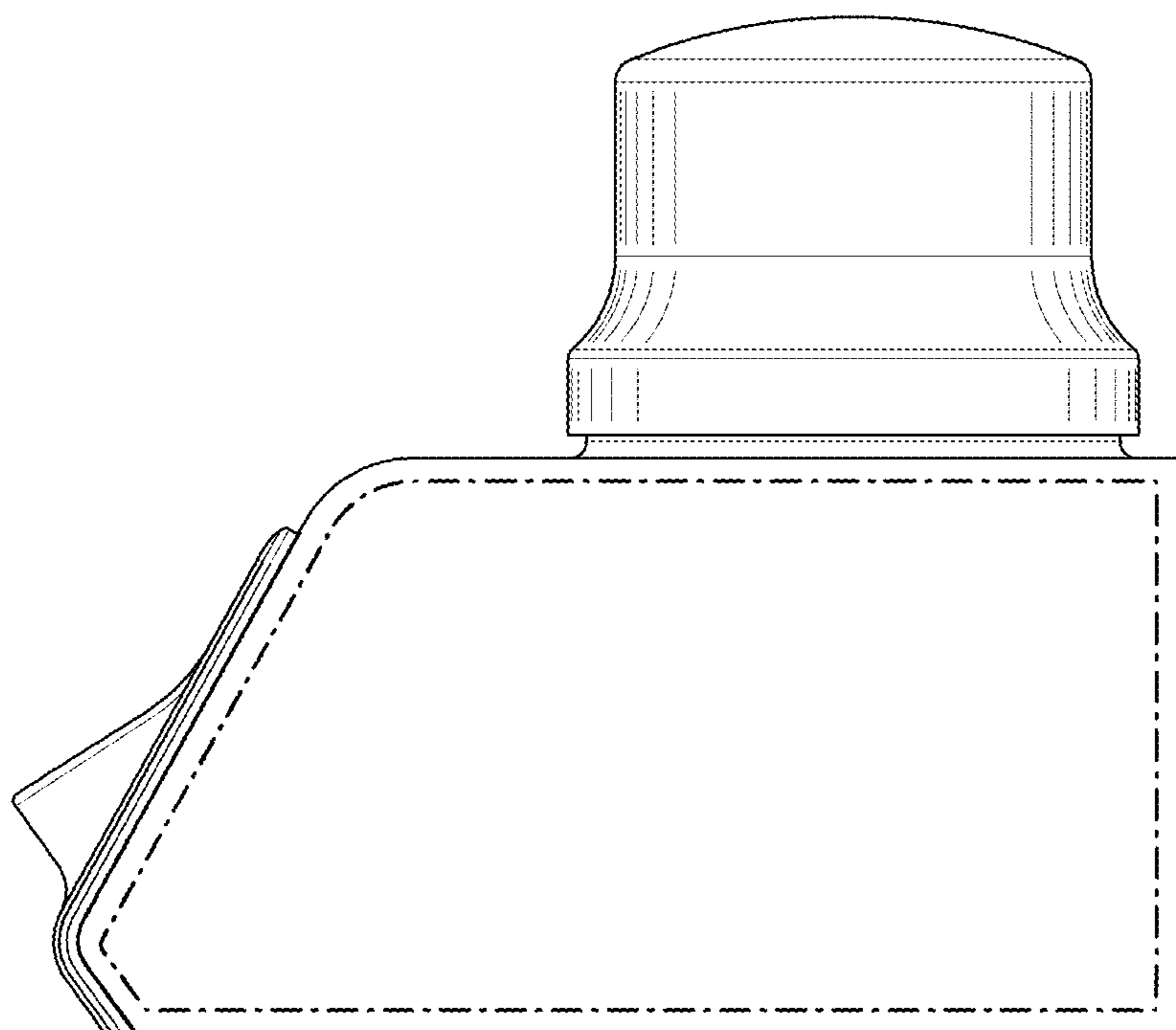


FIG. 12

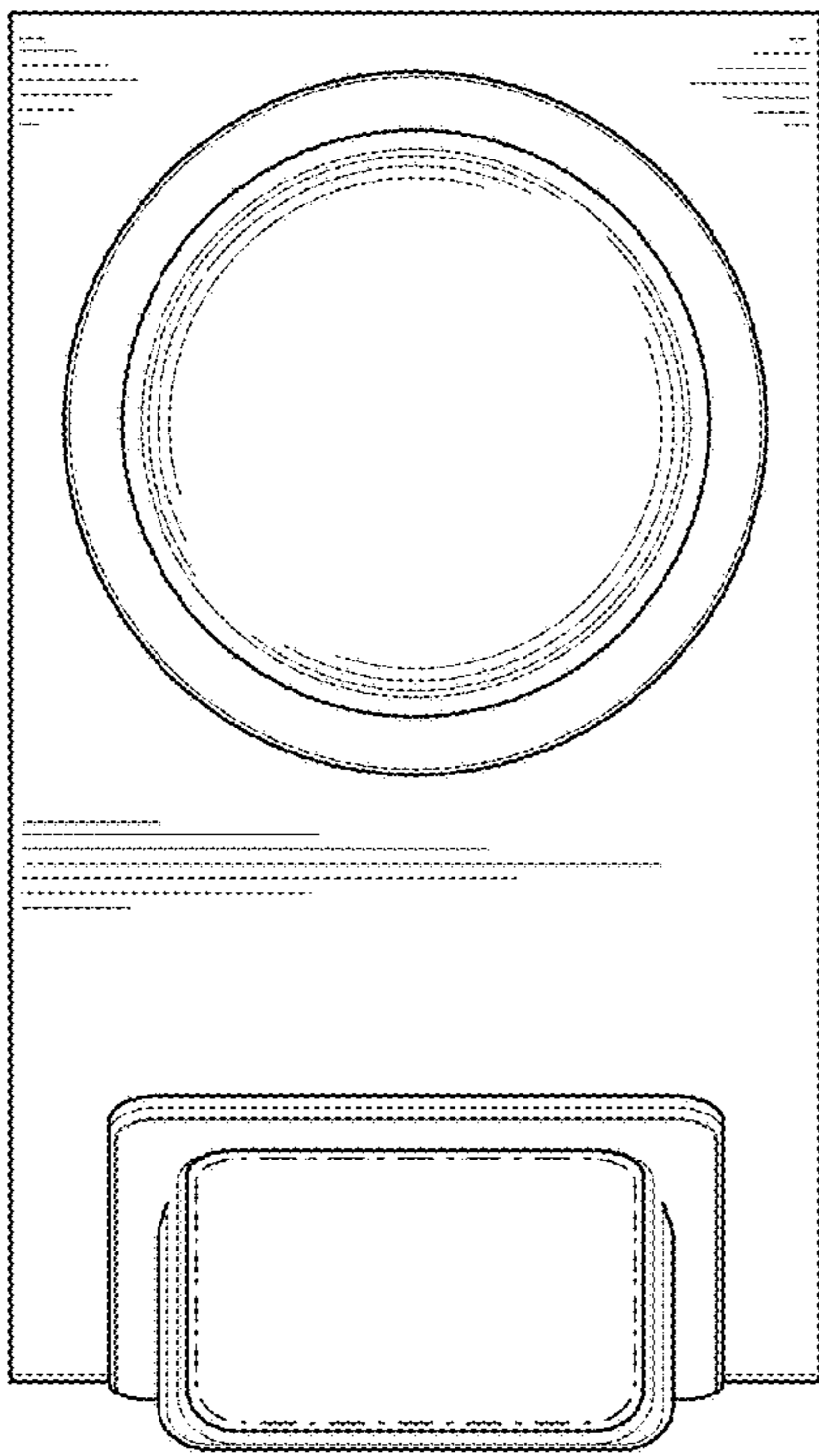


FIG. 13

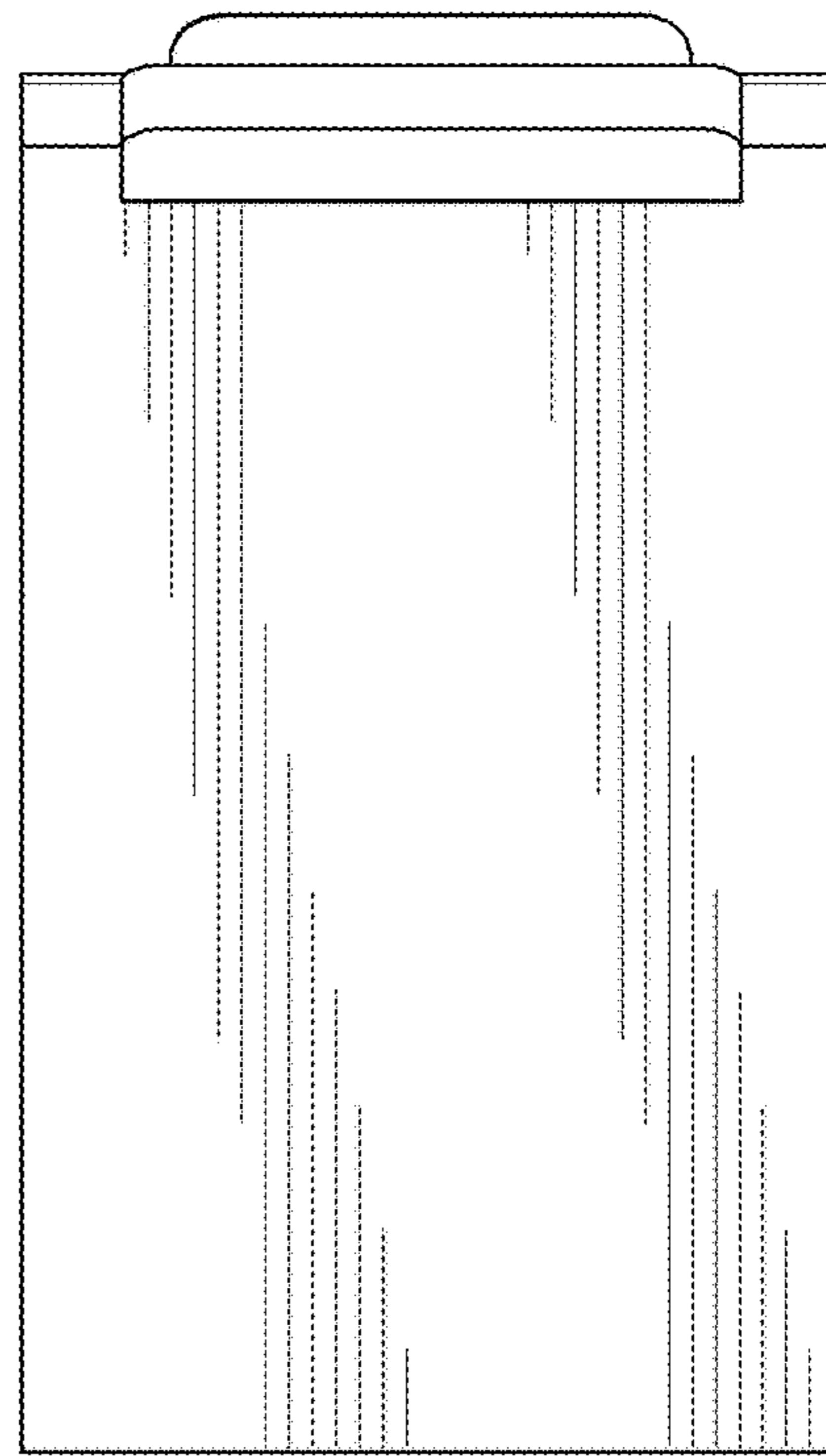


FIG. 14