



US00D812244S

(12) **United States Design Patent** (10) **Patent No.:** **US D812,244 S**  
**Shanafelter et al.** (45) **Date of Patent:** **\*\* Mar. 6, 2018**

(54) **TUBE RACK**  
(71) Applicant: **Abbott Laboratories**, Abbott Park, IL (US)  
(72) Inventors: **Ronald J. Shanafelter**, Fremont, CA (US); **Roger W. Accurso**, Fremont, CA (US)  
(73) Assignee: **Abbott Laboratories**, Abbott Park, IL (US)

D645,156 S \* 9/2011 Reitze ..... D24/227  
8,161,831 B2 4/2012 Fukuma  
8,246,919 B2 \* 8/2012 Herchenbach ..... B01L 9/06  
211/71.01  
8,262,994 B2 9/2012 Hamada et al.  
8,333,123 B2 12/2012 Tatsutani et al.  
D674,507 S \* 1/2013 Suzuki ..... D24/229  
D675,338 S \* 1/2013 Suzuki ..... D24/229  
D683,046 S \* 5/2013 Yin ..... D24/230  
8,534,456 B2 9/2013 Kimura et al.  
8,623,657 B2 1/2014 Durack et al.  
8,697,014 B2 \* 4/2014 Suzuki ..... B01L 9/06  
206/443

(\*\*) Term: **15 Years**

(Continued)

(21) Appl. No.: **29/549,018**  
(22) Filed: **Dec. 18, 2015**  
(51) **LOC (11) Cl.** ..... **24-02**  
(52) **U.S. Cl.**  
USPC ..... **D24/230**  
(58) **Field of Classification Search**  
USPC ..... D24/227-230; 422/562, 561, 463, 560,  
422/564; 211/74, 70.1; 206/443  
CPC ..... B01L 9/06; B01L 9/065  
See application file for complete search history.

FOREIGN PATENT DOCUMENTS

EP 0867724 9/1998  
EP 1152244 11/2001  
EP 1680225 7/2006

*Primary Examiner* — Susan Bennett Hattan  
*Assistant Examiner* — Rebecca Tsehaye  
(74) *Attorney, Agent, or Firm* — Edward J. Baba;  
Bozicevic, Field & Francis LLP

(56) **References Cited**

U.S. PATENT DOCUMENTS

D413,677 S \* 9/1999 Dumitrescu ..... D24/227  
D417,009 S \* 11/1999 Boyd ..... D24/227  
D420,747 S \* 2/2000 Dumitrescu ..... D24/227  
D421,130 S \* 2/2000 Cohen ..... D24/229  
6,019,945 A 2/2000 Ohishi et al.  
D428,497 S \* 7/2000 Lapeus ..... D24/227  
D448,854 S \* 10/2001 Kuiper ..... D24/227  
7,303,920 B2 12/2007 Stokes et al.  
7,448,487 B2 11/2008 Koike  
7,578,978 B2 8/2009 Justin et al.  
7,850,914 B2 12/2010 Veiner et al.  
7,854,892 B2 12/2010 Veiner et al.  
7,945,428 B2 5/2011 Fox et al.  
7,998,409 B2 8/2011 Veiner et al.

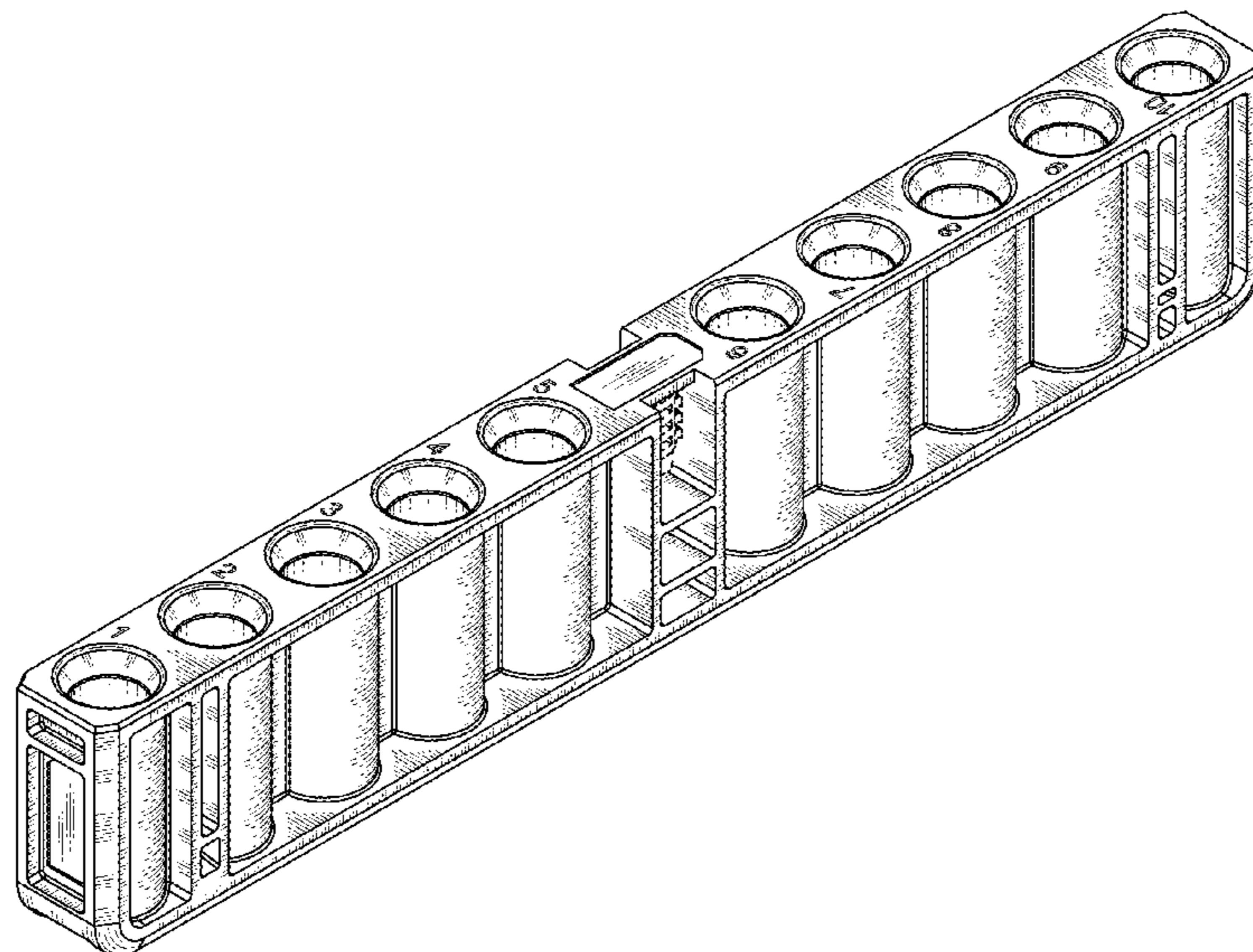
(57) **CLAIM**

The ornamental design for tube rack, as shown and described.

**DESCRIPTION**

FIG. 1 is a top perspective view of a tube rack;  
FIG. 2 is a bottom perspective view of the tube rack;  
FIG. 3 is a top view of the tube rack;  
FIG. 4 is a bottom view of the tube rack;  
FIG. 5 is a front view of the tube rack;  
FIG. 6 is a back view of the tube rack;  
FIG. 7 is a first side view of the tube rack; and,  
FIG. 8 is a second side view of the tube rack.  
The broken lines in the drawings depict portions of the tube rack that form no part of the claimed design.

**1 Claim, 5 Drawing Sheets**



(56)

**References Cited**

U.S. PATENT DOCUMENTS

8,698,644	B2	4/2014	Okubo	
8,772,738	B2	7/2014	Ozasa et al.	
8,845,985	B2 *	9/2014	Herchenbach	..... B01L 9/06 211/71.01
8,848,094	B2	9/2014	Li	
8,865,072	B2	10/2014	Nagai et al.	
8,977,030	B2	3/2015	Yamada	
9,040,304	B2	5/2015	Durack et al.	
9,091,803	B2	7/2015	Meng et al.	
9,144,801	B2 *	9/2015	Johnson	..... B01L 9/06
9,157,925	B2	10/2015	Yamasaki et al.	
9,243,995	B2	1/2016	Fox et al.	
2003/0034317	A1 *	2/2003	Lafond	..... B01L 9/06 211/74
2012/0051987	A1 *	3/2012	Johnson	..... B01L 9/06 422/562
2015/0132841	A1 *	5/2015	Sampson	..... B01L 3/50853 435/306.1

\* cited by examiner

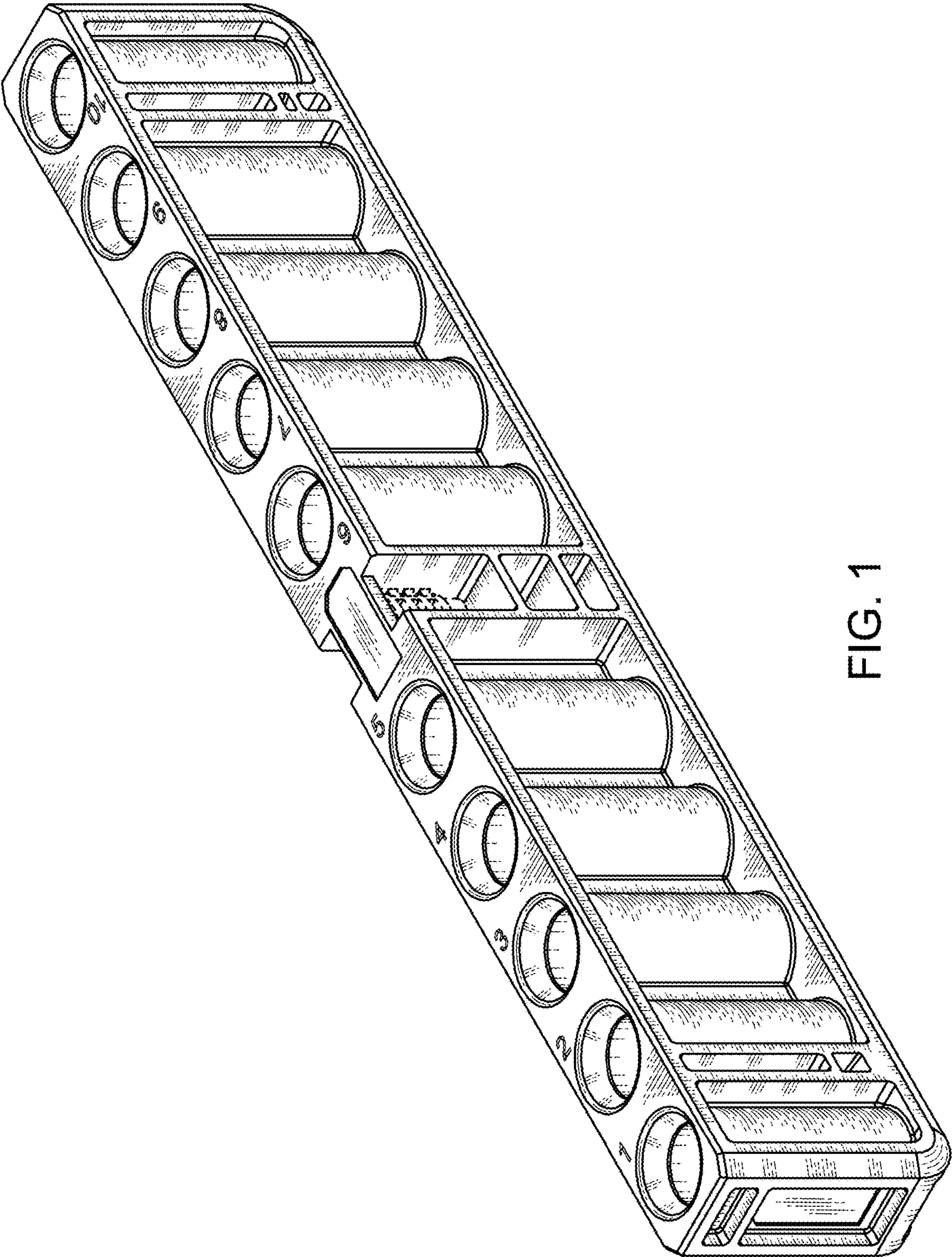


FIG. 1

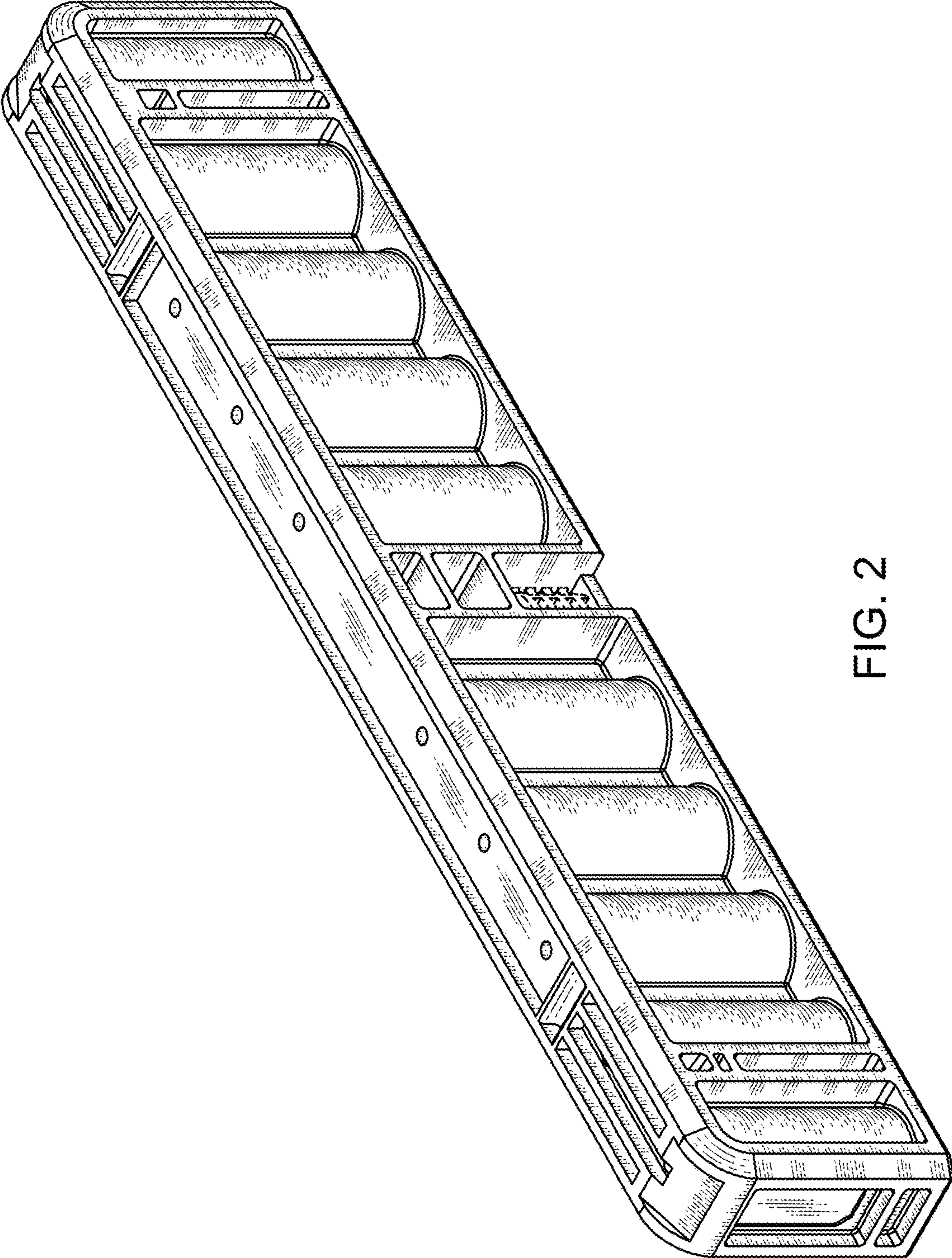


FIG. 2

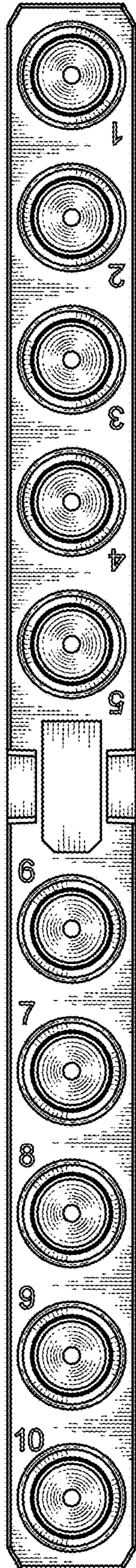


FIG. 3

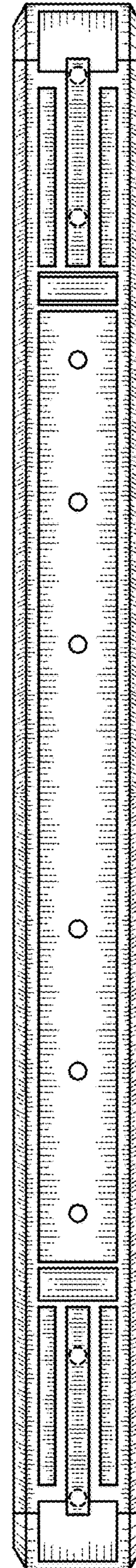


FIG. 4

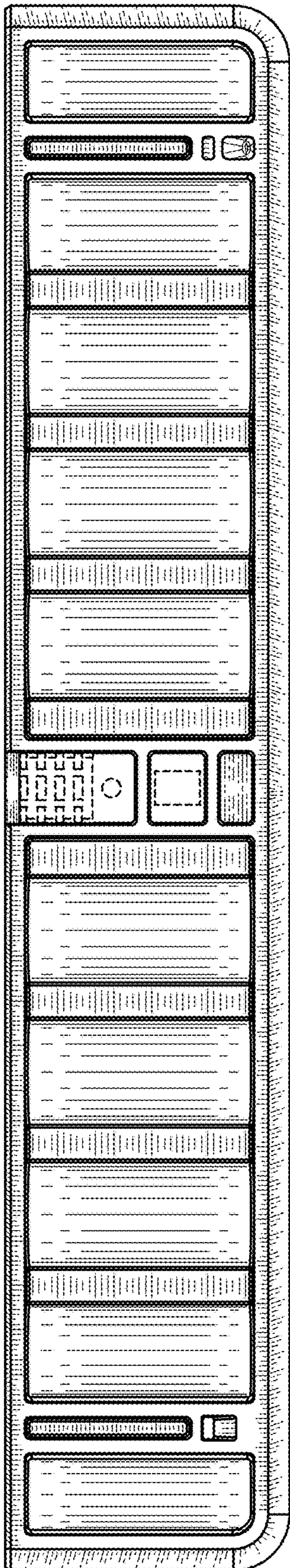


FIG. 5

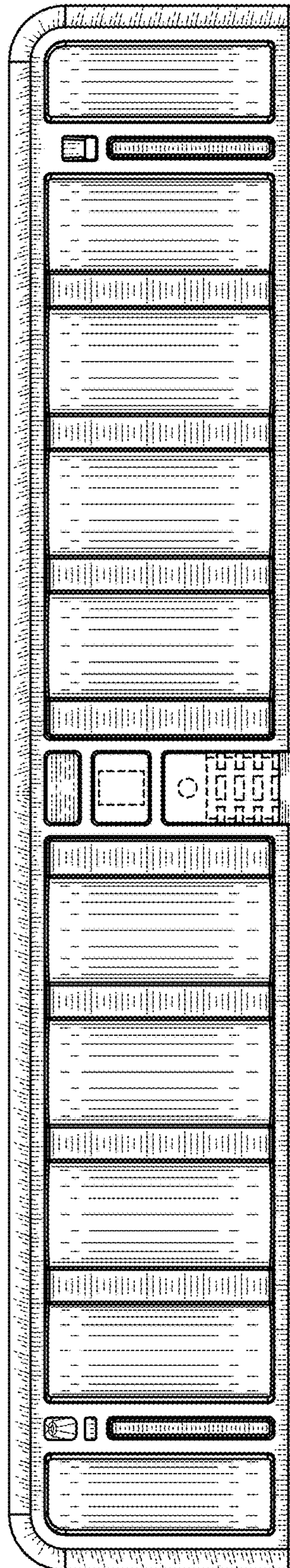


FIG. 6

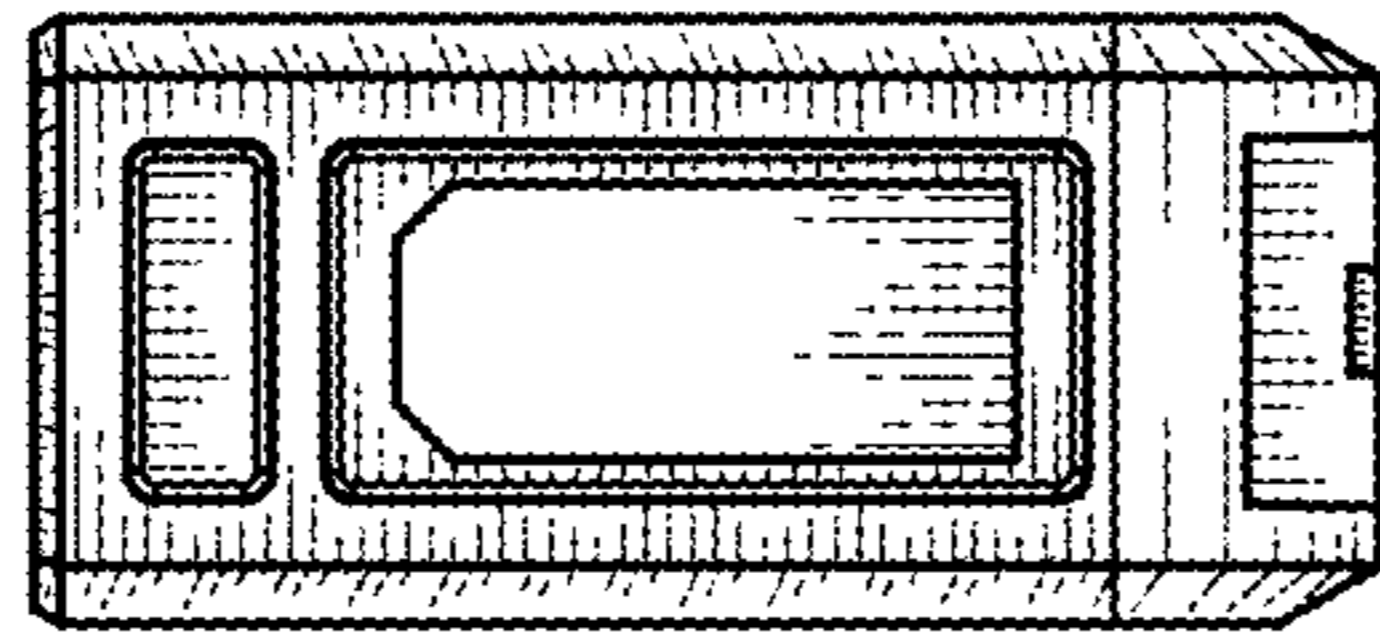


FIG. 8

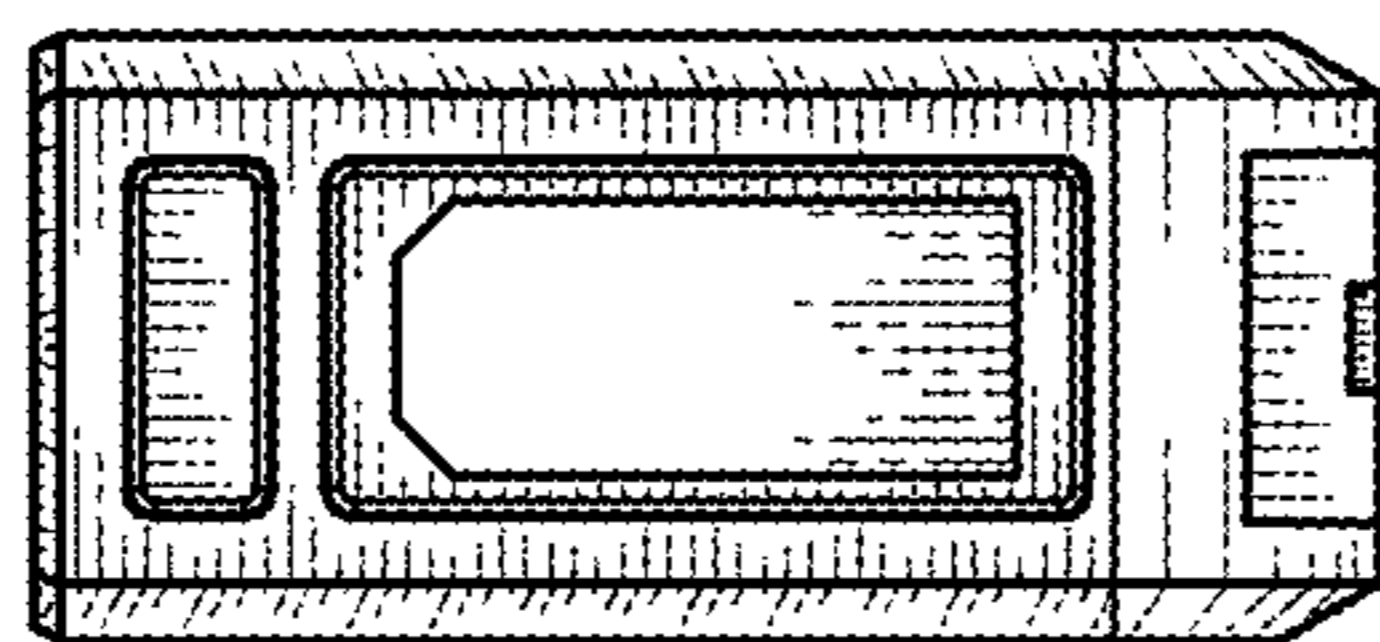


FIG. 7