



US00D812238S

(12) **United States Design Patent**
Ho

(10) **Patent No.:** **US D812,238 S**
(45) **Date of Patent:** **** Mar. 6, 2018**

(54) **HEADACHE, NECK AND SHOULDER THERAPY DEVICE**

(71) Applicant: **Hoi Ming Michael Ho**, Ontario (CA)

(72) Inventor: **Hoi Ming Michael Ho**, Ontario (CA)

(**) Term: **15 Years**

(21) Appl. No.: **29/599,114**

(22) Filed: **Mar. 31, 2017**

(30) **Foreign Application Priority Data**

Mar. 8, 2017 (TW) 106301143 A

(51) **LOC (11) Cl.** **28-03**

(52) **U.S. Cl.**
USPC **D24/200; D24/211**

(58) **Field of Classification Search**
USPC D24/200, 211–215, 190–191
CPC A61F 7/02; A61F 7/03; A61F 7/034; A61F
2007/0001; A61F 2007/0002; A61F
2007/0011; A61F 2007/003; A61F
2007/0098; A61F 2007/0228; A61F
2007/0231; A61F 2007/0266; A61F
13/12; A61H 15/00; A61H 15/02; A61H
2205/02; A61H 2205/04; A61H 2205/062
See application file for complete search history.

(56) **References Cited**

U.S. PATENT DOCUMENTS

2,562,121	A *	7/1951	Poux	A61F 7/02 128/DIG. 23
D389,584	S *	1/1998	Leventhal	D24/200
5,728,146	A *	3/1998	Burkett	A61F 7/03 165/46
D403,778	S *	1/1999	Davis	D24/200
D418,606	S *	1/2000	Davis	D24/200

6,102,937	A *	8/2000	Cramer	A61F 7/03 607/109
6,699,271	B2 *	3/2004	Clayton	A61F 7/02 607/109
D609,818	S *	2/2010	Tsang	D24/215
D625,427	S *	10/2010	Lee	D24/214
D649,655	S *	11/2011	Petersen	D24/215
D674,501	S *	1/2013	Petersen	D24/215
2007/0225782	A1 *	9/2007	Taylor	A61F 7/10 607/108

* cited by examiner

Primary Examiner — Wan Laymon

(74) *Attorney, Agent, or Firm* — Bacon & Thomas, PLLC

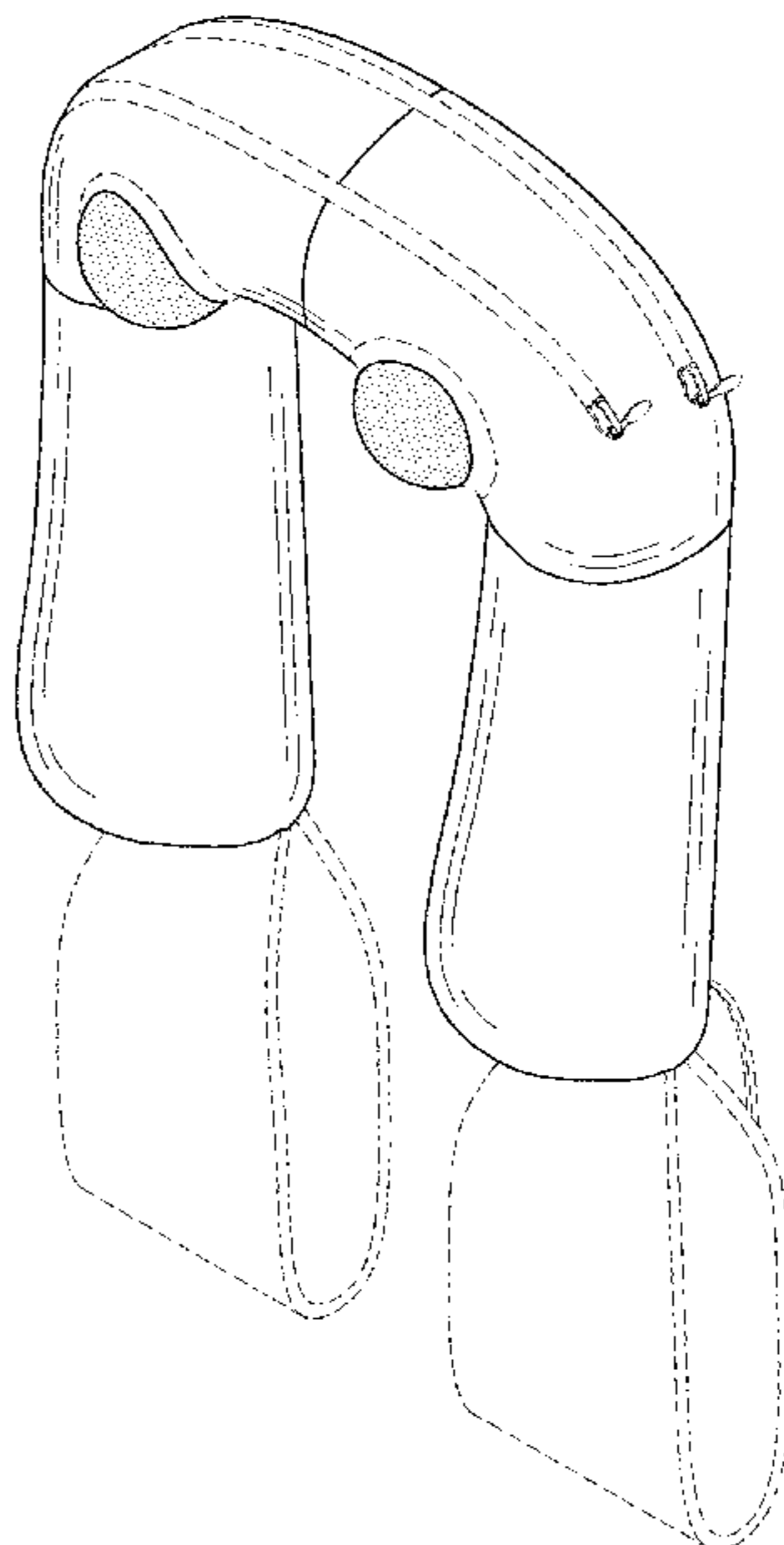
(57) **CLAIM**

The ornamental design for a headache, neck and shoulder therapy device, as shown and described.

DESCRIPTION

FIG. 1 is a perspective view of a headache, neck and shoulder therapy device showing my new design; FIG. 2 is a front elevational view thereof; FIG. 3 is a rear elevational view thereof; FIG. 4 is a left side elevational view thereof; FIG. 5 is a right side elevational view thereof; FIG. 6 is a top plan view thereof; and, FIG. 7 is a bottom plan view thereof. The dash-dash broken lines throughout the figures that are immediately adjacent to shaded surfaces represent additional boundaries of the claimed design. All other dash-dash broken lines depict environmental subject matter that forms no part of the claimed design. The broken lines and unshaded regions bounded by broken lines showing partial portions of the headache, neck and shoulder therapy device are for illustrative purpose only and form no part of the claimed design.

1 Claim, 6 Drawing Sheets



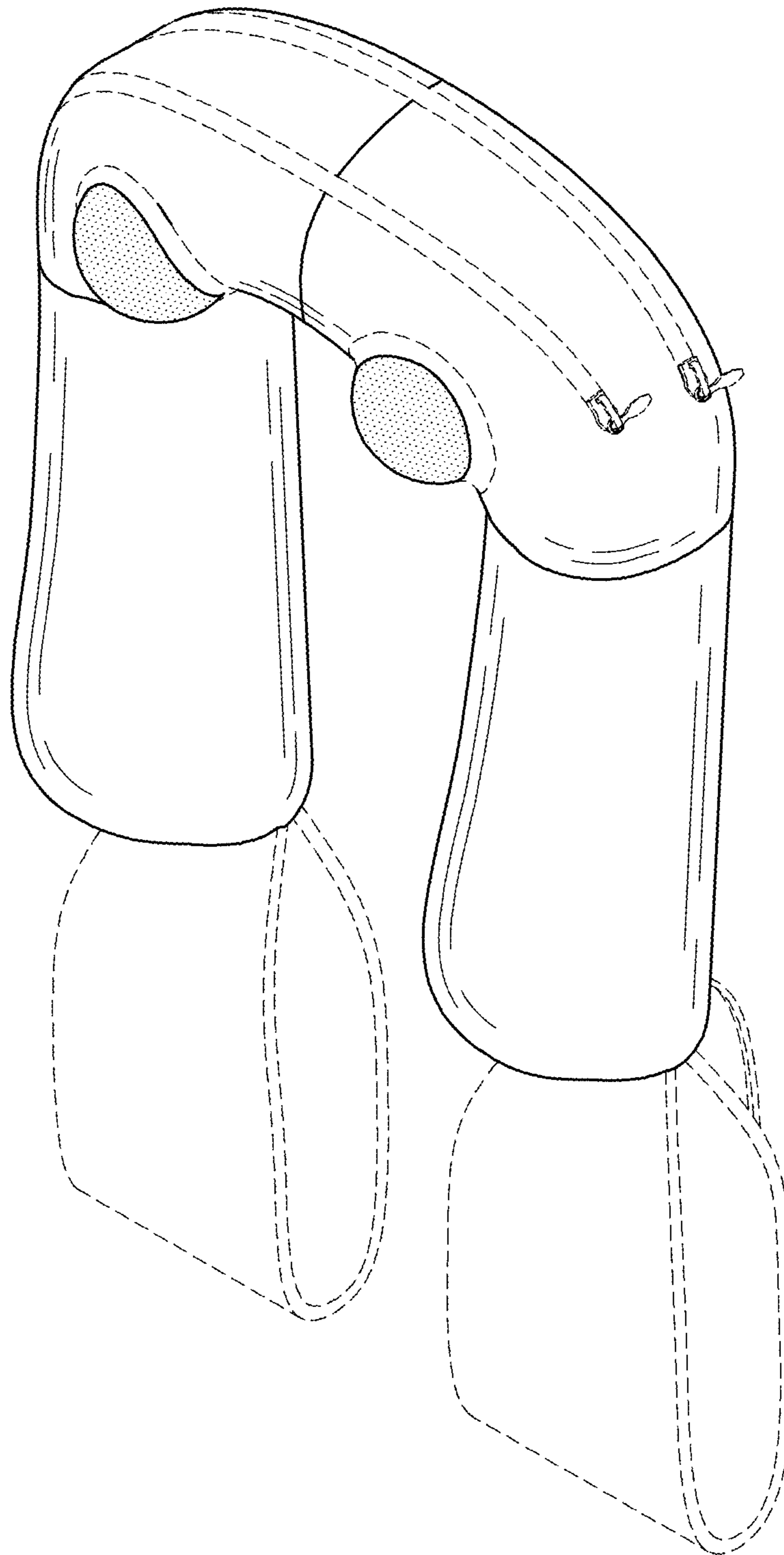


FIG. 1

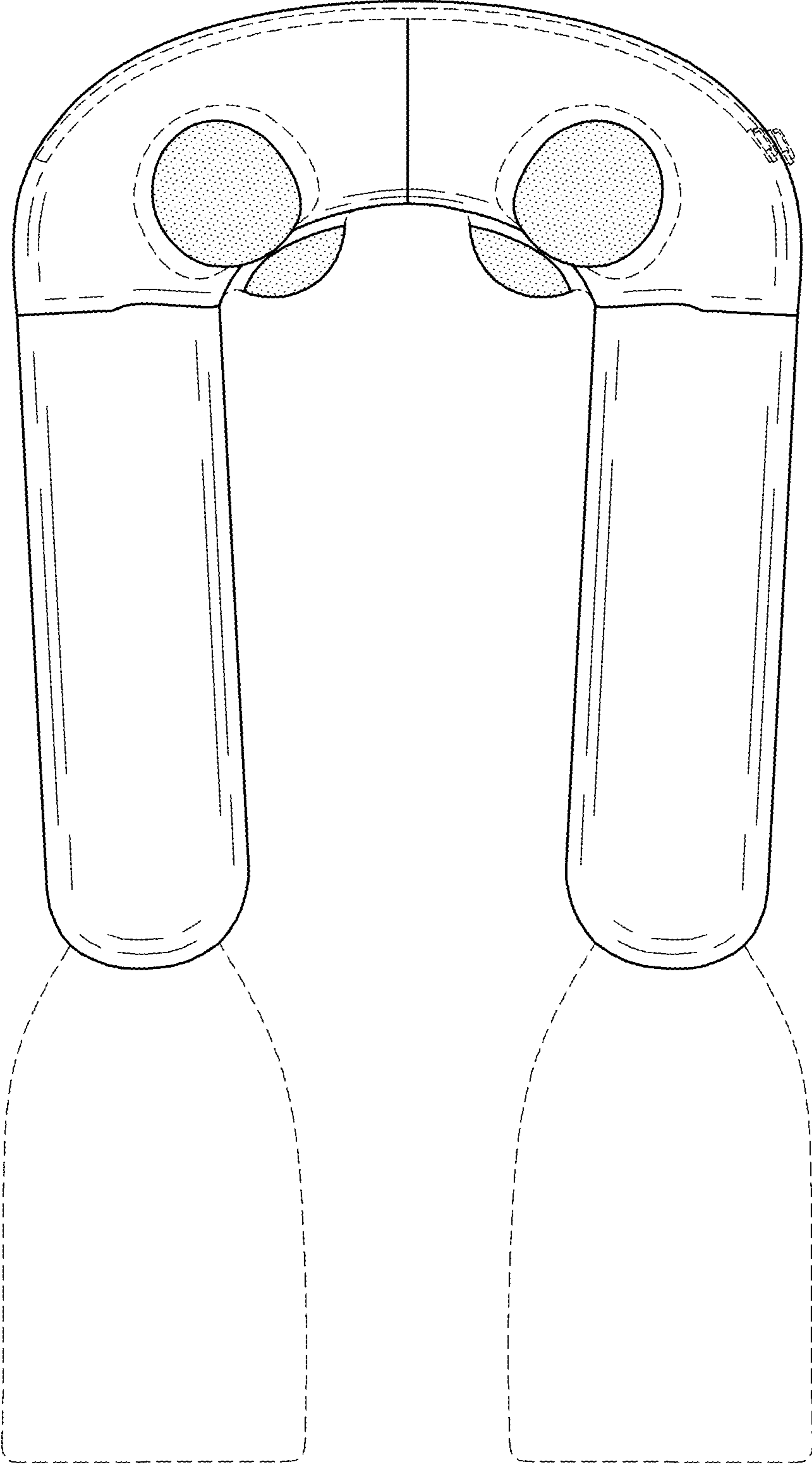


FIG. 2

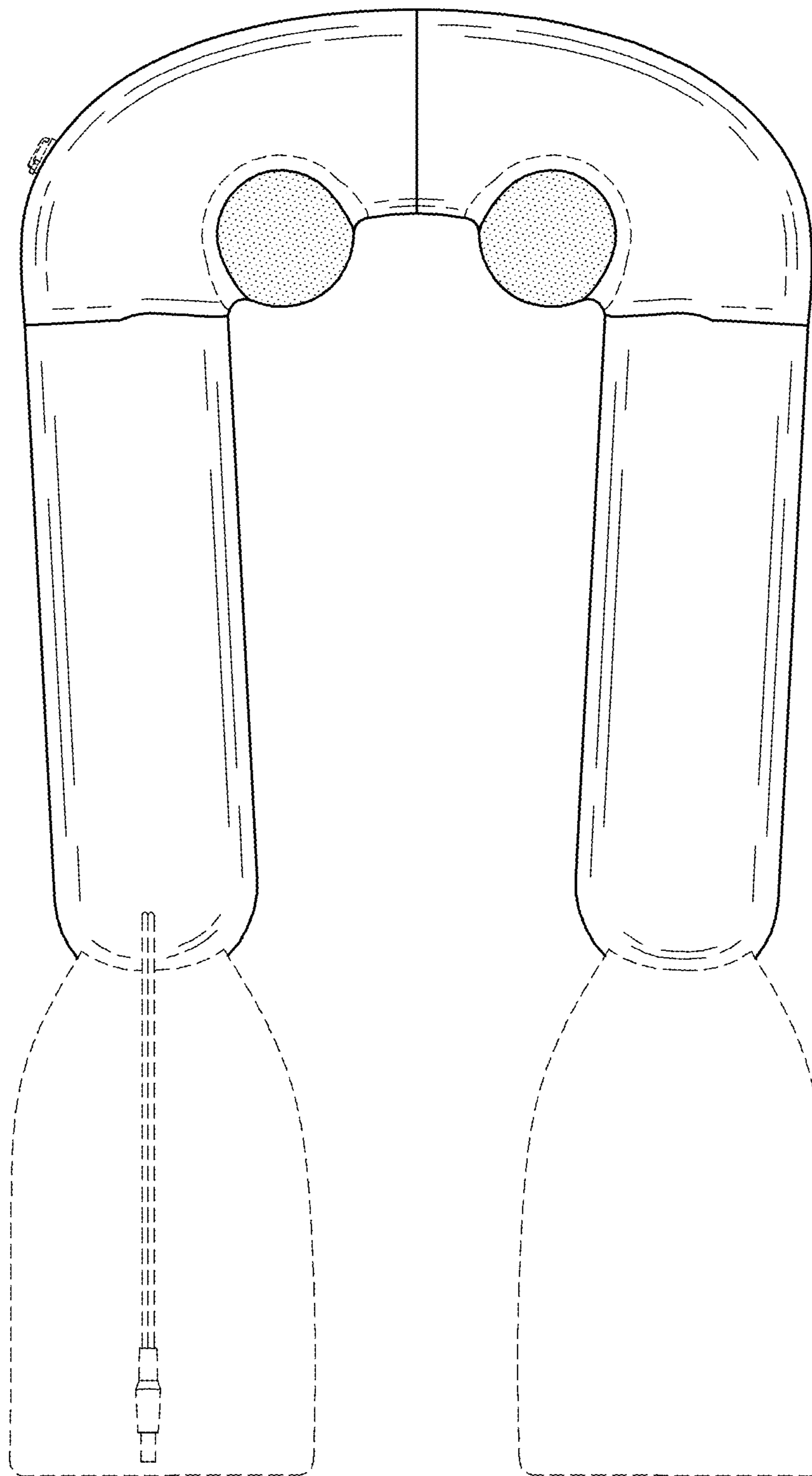


FIG. 3

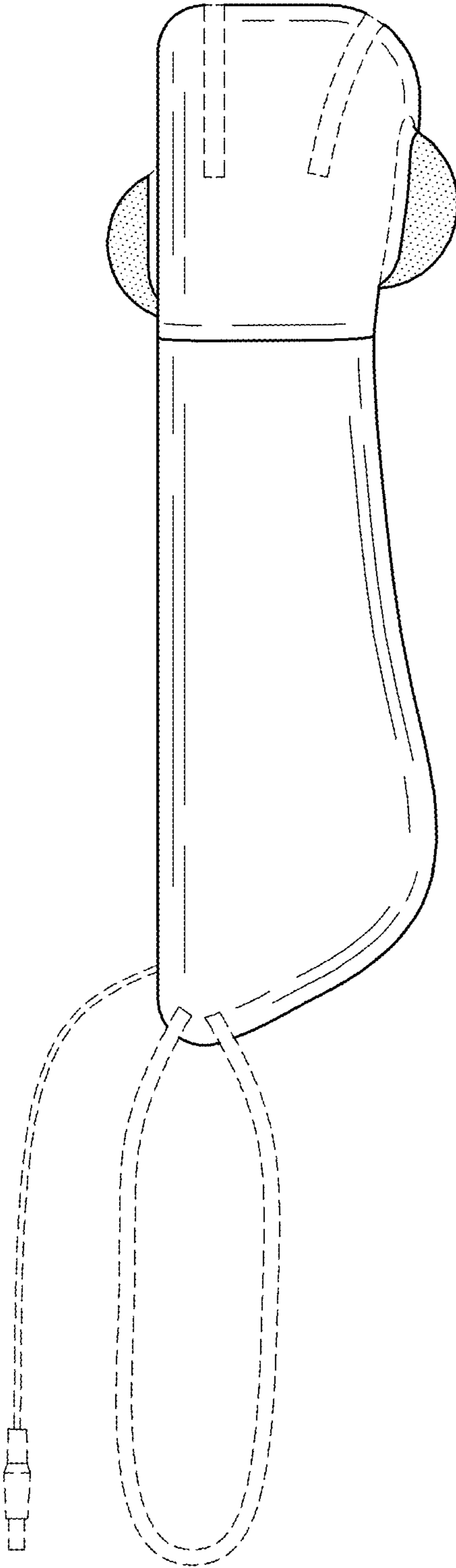


FIG. 4

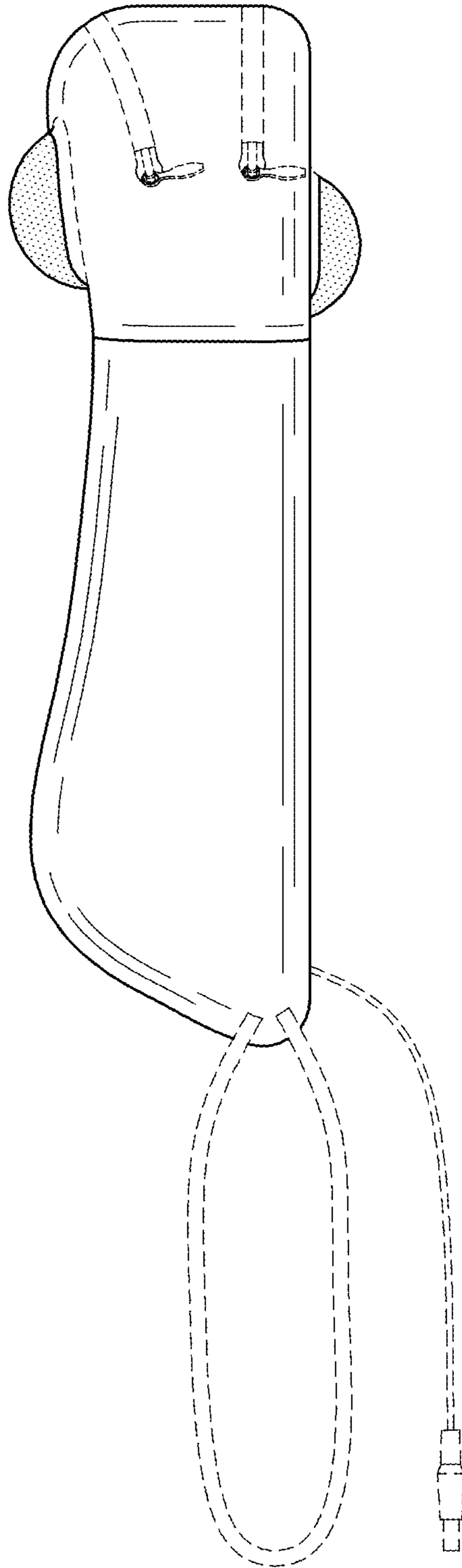


FIG. 5

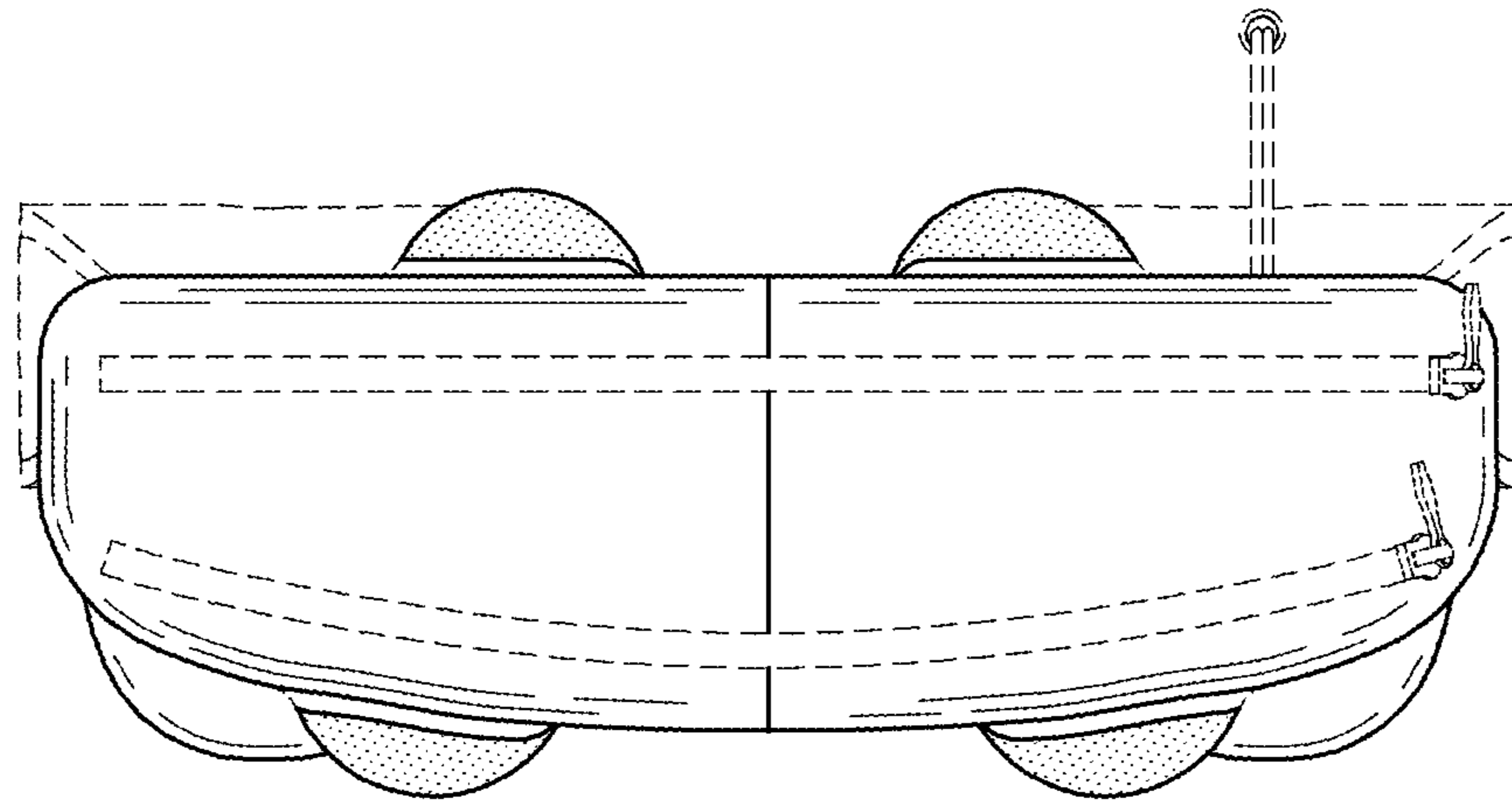


FIG. 6

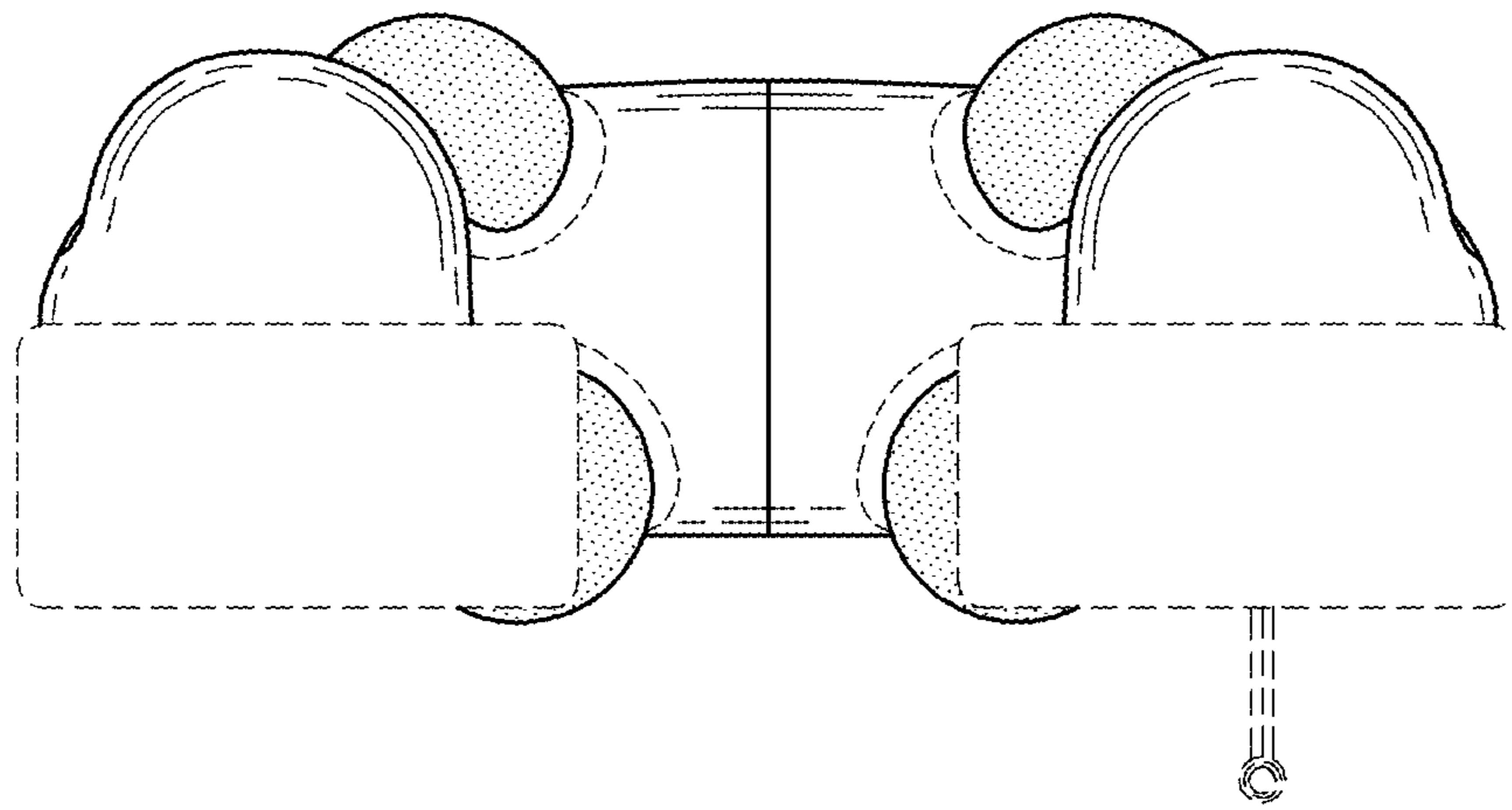


FIG. 7