



US00D812236S

(12) **United States Design Patent**
Burke et al.

(10) **Patent No.:** **US D812,236 S**
(45) **Date of Patent:** **** Mar. 6, 2018**

(54) **BACK BRACE**

(71) Applicant: **Aspen Medical Partners, LLC**, Irvine, CA (US)

(72) Inventors: **Steven Burke**, Huntington Beach, CA (US); **Erik Zimmer**, Oceanside, CA (US)

(73) Assignee: **Aspen Medical Partners, LLC**, Irvine, CA (US)

(**) Term: **15 Years**

(21) Appl. No.: **29/568,462**

(22) Filed: **Jun. 17, 2016**

(51) **LOC (11) Cl.** **24-01**

(52) **U.S. Cl.**
USPC **D24/190**

(58) **Field of Classification Search**
USPC D24/190-192; D29/100-102
(Continued)

(56) **References Cited**

U.S. PATENT DOCUMENTS

2,132,971 A 10/1938 Roques
2,147,166 A 2/1939 Kops
(Continued)

FOREIGN PATENT DOCUMENTS

CA 417263 12/1943
CA 420867 6/1944
(Continued)

OTHER PUBLICATIONS

Vertebradyn-Strong, Sporlastic GMBH, <http://www.sporlastic.de/de/main/platinum/07425.html>, downloaded on Apr. 9, 2015.
(Continued)

Primary Examiner — George D. Kirschbaum
Assistant Examiner — Jennifer L. Watkins

(57) **CLAIM**

The ornamental design for a back brace, as shown and described.

DESCRIPTION

FIG. 1 is front, perspective view of an embodiment of a new design of a back brace.
FIG. 2 is a front, partial view of the left side of the back brace of FIG. 1.
FIG. 3 is a front, partial view of the right side of the back brace of FIG. 1.
FIG. 4 is a front, partial plan view of the left side of the back brace of FIG. 1.
FIG. 5 is a front, partial plan view of the right side of the back brace of FIG. 1.
FIG. 6 is a rear, partial plan view of the right side of the back brace of FIG. 1.
FIG. 7 is a rear, left-side, partial plan view of the left side of the back brace of FIG. 1.
FIG. 8 is a top, partial plan view of the left side of the back brace of FIG. 1.
FIG. 9 is a top, partial, plan view of the right side of the back brace of FIG. 1.
FIG. 10 is a left side plan view of the back brace of FIG. 1, the right side plan view being a mirror image.
FIG. 11 is an enlarged detail view of a portion of FIG. 4.
FIG. 12 is an enlarged detail view of a portion of FIG. 6.
FIG. 13 is a front, partial plan view of the left side of a second embodiment of FIG. 1, the only difference being the additional unclaimed features shown in dotted lines, it being understood that all other surfaces are the same as those of the first embodiment of FIG. 1.
FIG. 14 is a front, partial plan view of the right side of the second embodiment shown in FIG. 12.
FIG. 15 is an enlarged detail view of a portion of FIG. 12.
FIG. 16 is a front, partial plan view of a third embodiment of FIG. 1, the only differences being the additional unclaimed features shown in dotted lines and the lack of different surface patterns, it being understood that all other surfaces are the same as those of the first embodiment of FIG. 1.
FIG. 17 is a front, partial plan view of the right side of the third embodiment shown in FIG. 15.

(Continued)

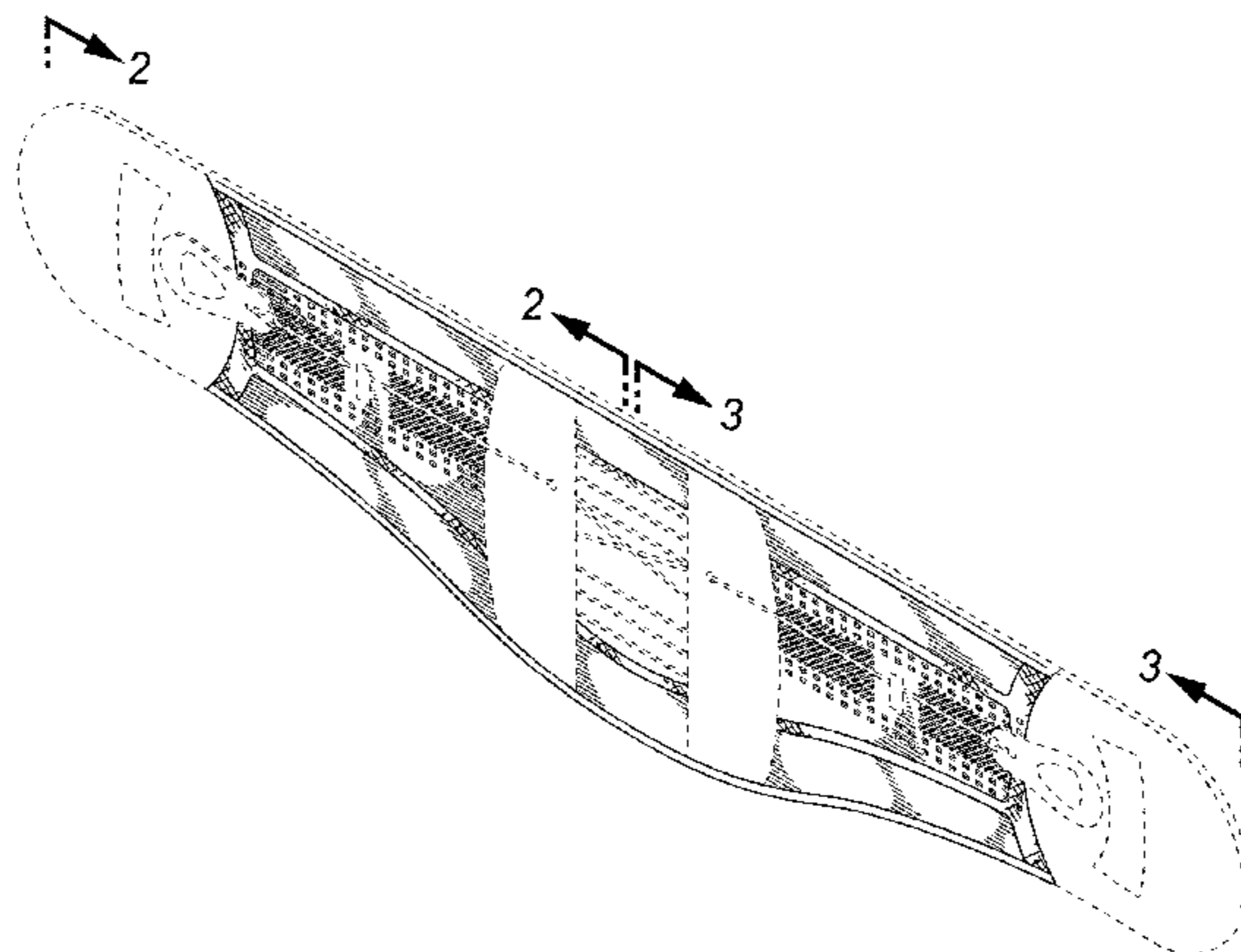


FIG. 18 is an enlarged detail view of a portion of FIG. 15. FIG. 19 is a front, partial plan view of a fourth embodiment of FIG. 1, the only differences being the color of the brace material and the lack of different surface patterns, it being understood that all other surfaces are the same as those of the first embodiment of FIG. 1.

FIG. 20 is a front, partial plan view of the right side of the fourth embodiment shown in FIG. 19; and,

FIG. 21 is an enlarged detail view of a portion of FIG. 19. The regularly-spaced broken lines shown in the drawings are for the purpose of illustrating portions of the back brace and form no part of the claimed design.

The irregularly-spaced broken lines shown in the drawings are for the purpose of illustrating the boundaries of the enlarged portions of non-enlarged figures.

Each of the second, third, and fourth embodiments have the same rear, top, and side views as those shown in FIGS. 6-10, respectively.

1 Claim, 19 Drawing Sheets

(58) **Field of Classification Search**

CPC .. A61F 5/028; A61F 5/03; A61F 5/024; A61F 5/0193; A61F 5/02; A61F 5/026; A61F 5/0118; A61F 5/022; A61F 5/30; A61F 7/02; A61F 2007/0001; A61F 5/0106; A61F 5/055; A61F 2250/001

See application file for complete search history.

(56) **References Cited**

U.S. PATENT DOCUMENTS

2,289,302	A	7/1942	Bradshaw	
2,306,246	A	12/1942	Davis	
2,306,914	A	12/1942	Smith, Jr.	
2,311,166	A	2/1943	Fregeolle	
2,411,175	A	11/1946	Wagler	
3,747,374	A	7/1973	Meyer	
5,484,395	A	1/1996	DeRoche	
D375,186	S *	11/1996	Kim	D13/183
5,833,638	A	11/1998	Wilson	
6,082,148	A	7/2000	Wakai et al.	
6,923,779	B1	8/2005	Choiniere	

7,025,737	B2	4/2006	Modglin	
D636,494	S *	4/2011	Garth	D24/190
D657,063	S *	4/2012	Chiang	D24/190
8,328,742	B2	12/2012	Bledsoe	
D696,408	S *	12/2013	Chiang	D24/190
D709,614	S *	7/2014	Penn	D24/190
D725,786	S *	3/2015	Romo	D24/190
D743,567	S *	11/2015	Higgins	D24/190
2003/0195449	A1	10/2003	Coleman	
2004/0139974	A1	7/2004	Schwenn	
2005/0059917	A1	3/2005	Garth	
2005/0150258	A1	7/2005	Mitchell et al.	
2012/0253251	A1	10/2012	Thornton	
2013/0158457	A1	6/2013	Garth	
2013/0237894	A1	9/2013	Fryman	
2014/0228727	A1*	8/2014	Burke	A61F 5/01 602/19

FOREIGN PATENT DOCUMENTS

CN	2333372	8/1999
CN	101437682	8/2012
FR	2356755	1/1978
GB	539759	9/1941
GB	2070656	9/1981
JP	2003013347	1/2003
JP	4762053	8/2011
JP	2014212864	11/2014
KR	200243883	8/2001
WO	2014037213	3/2014

OTHER PUBLICATIONS

Vertebradyn-Vario, Sporlastic GMBH, <http://www.sporlastic.de/en/main/platinum/07420.html>, downloaded on Apr. 9, 2015.

Comprehensive LSO, Cybertech Medical, http://www.cybertechmedical.com/products/LSO_8_comprehensive_iso.php, downloaded on Apr. 9, 2015.

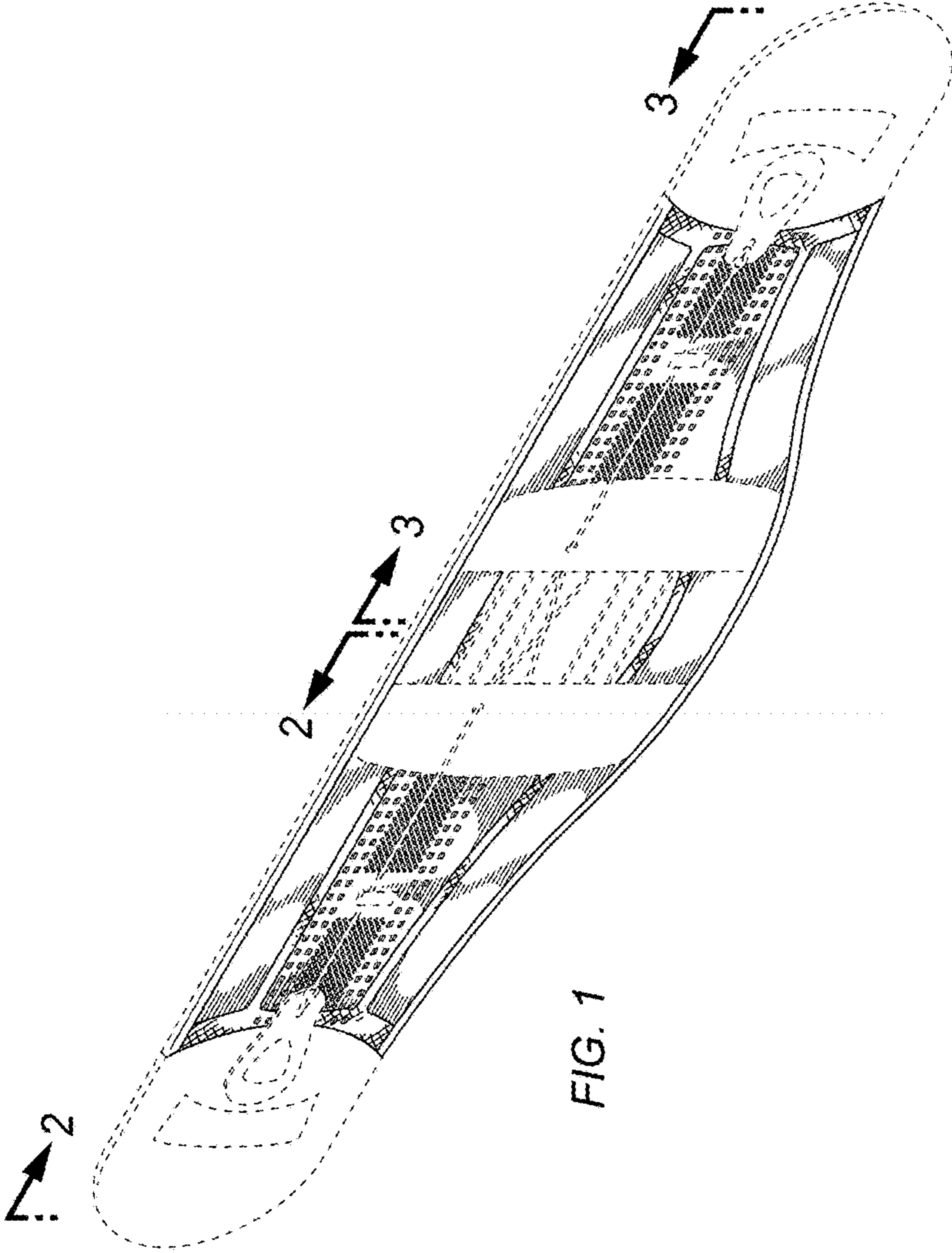
Comffit Lite Back Support, Sportstek, <https://www.sportstek.net/comffit-lite.htm>, downloaded on Apr. 9, 2015.

SacroLoc, Bauerfeind, http://www.bauerfeind.com/b2c/bauerfeind-b2c-us/en/USD/PRODUCT/BACK-BRACES-BY-LUMBOTRAIN-AND-SACROLOC/SacroLoc%C2%AE/p/YPBF_ORW_SACROLOC, downloaded on Apr. 9, 2015.

Cybertech Pathway LS, Cybertech Medical, http://www.cybertechmedical.com/products/LSO_5_pathway_ls.php, downloaded on Apr. 9, 2015.

Donjoy Lumboforce, product brochure, DJO Global, Aug. 2012.

* cited by examiner



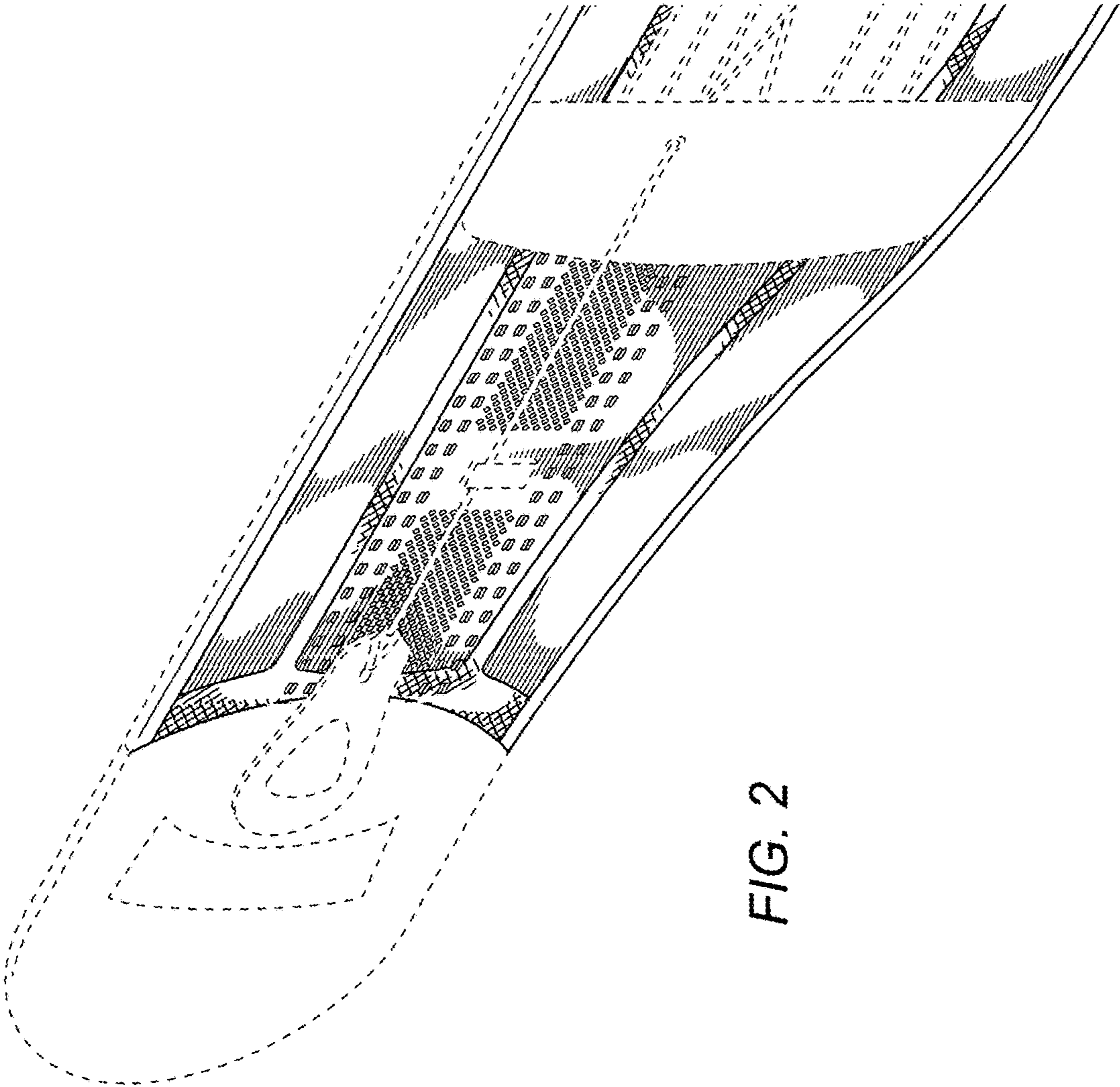


FIG. 2

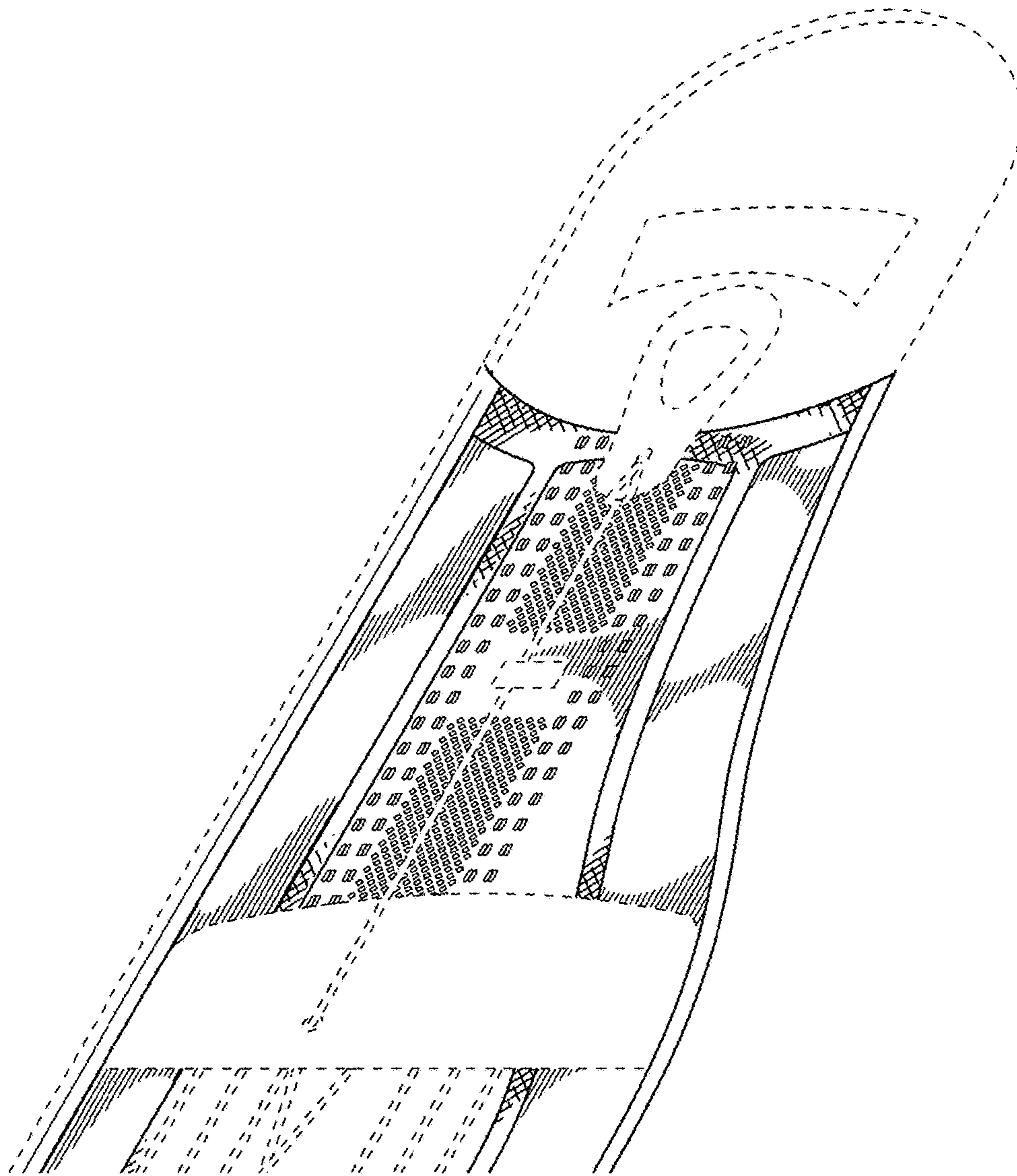


FIG. 3

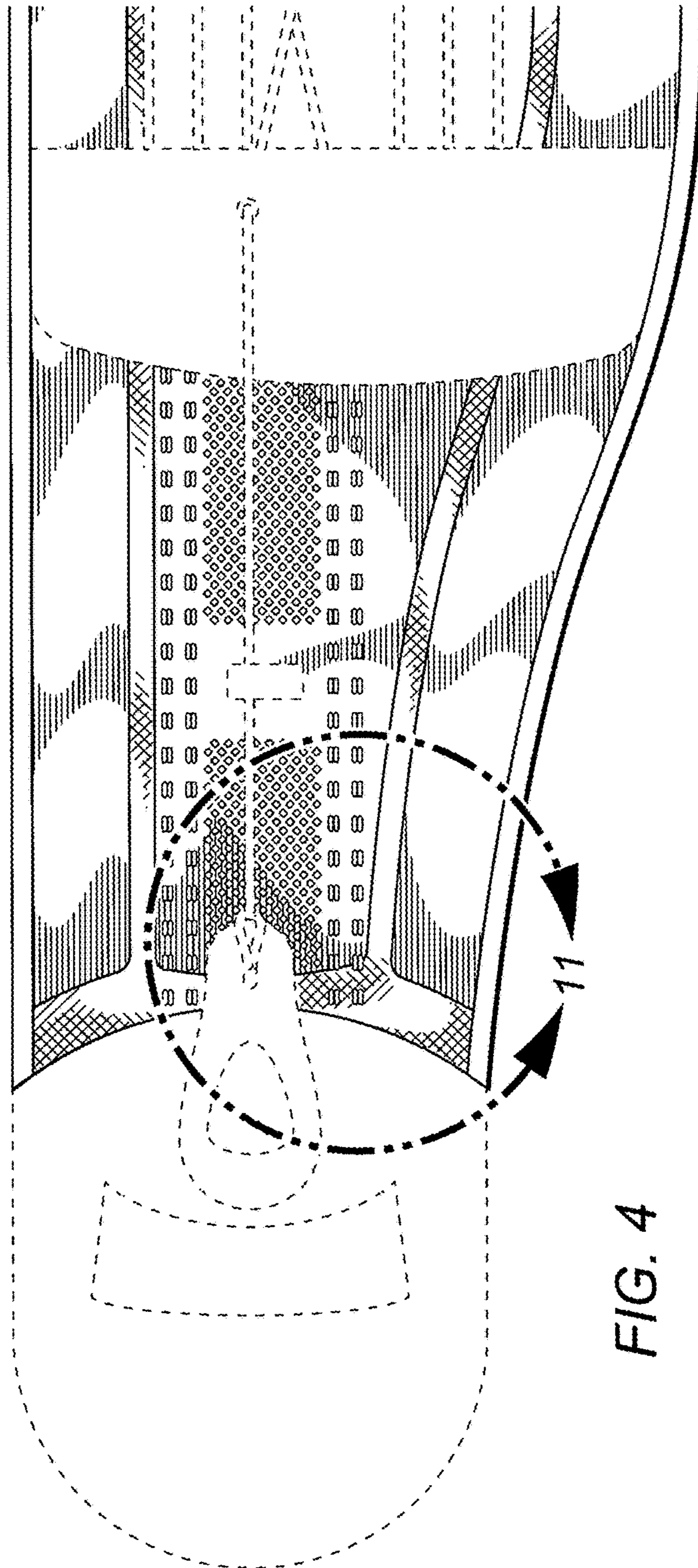


FIG. 4

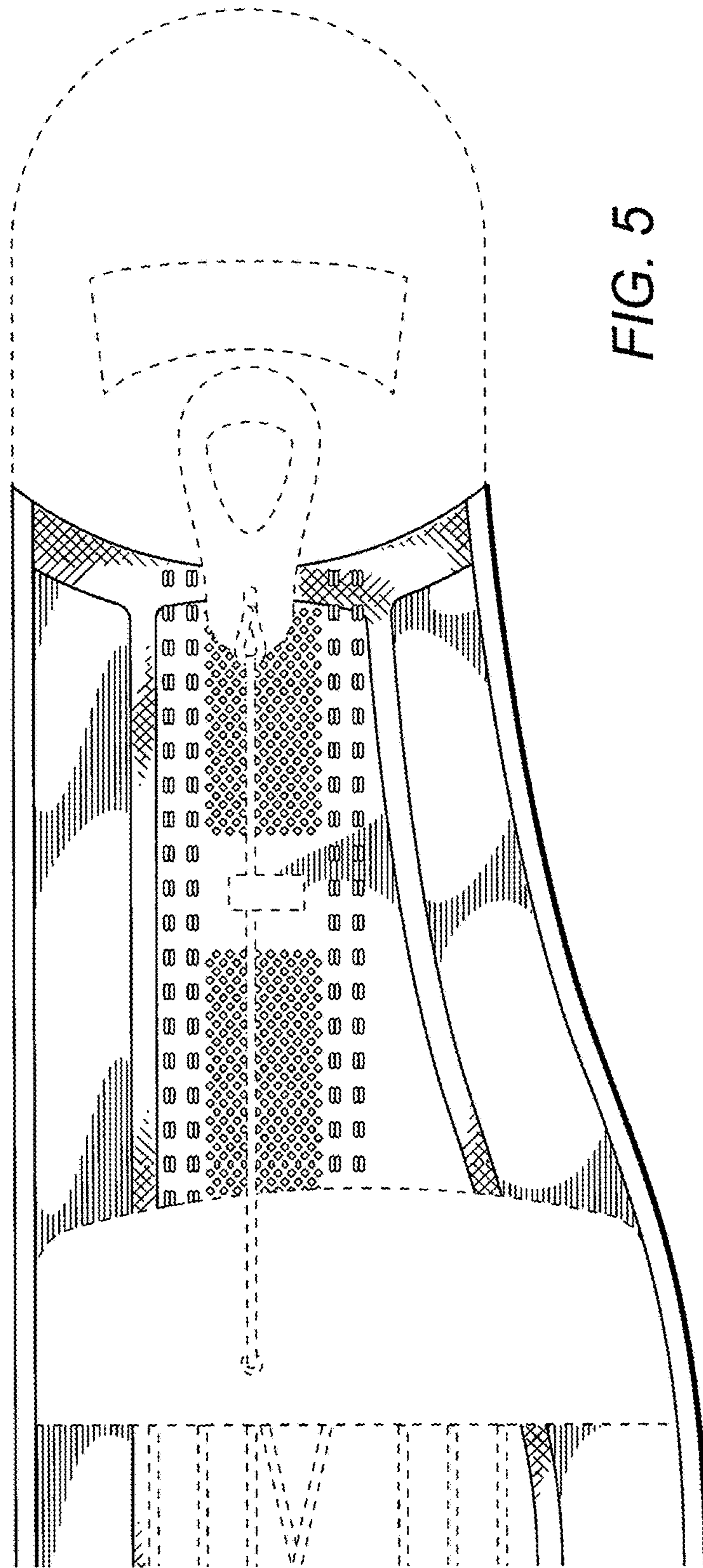


FIG. 5

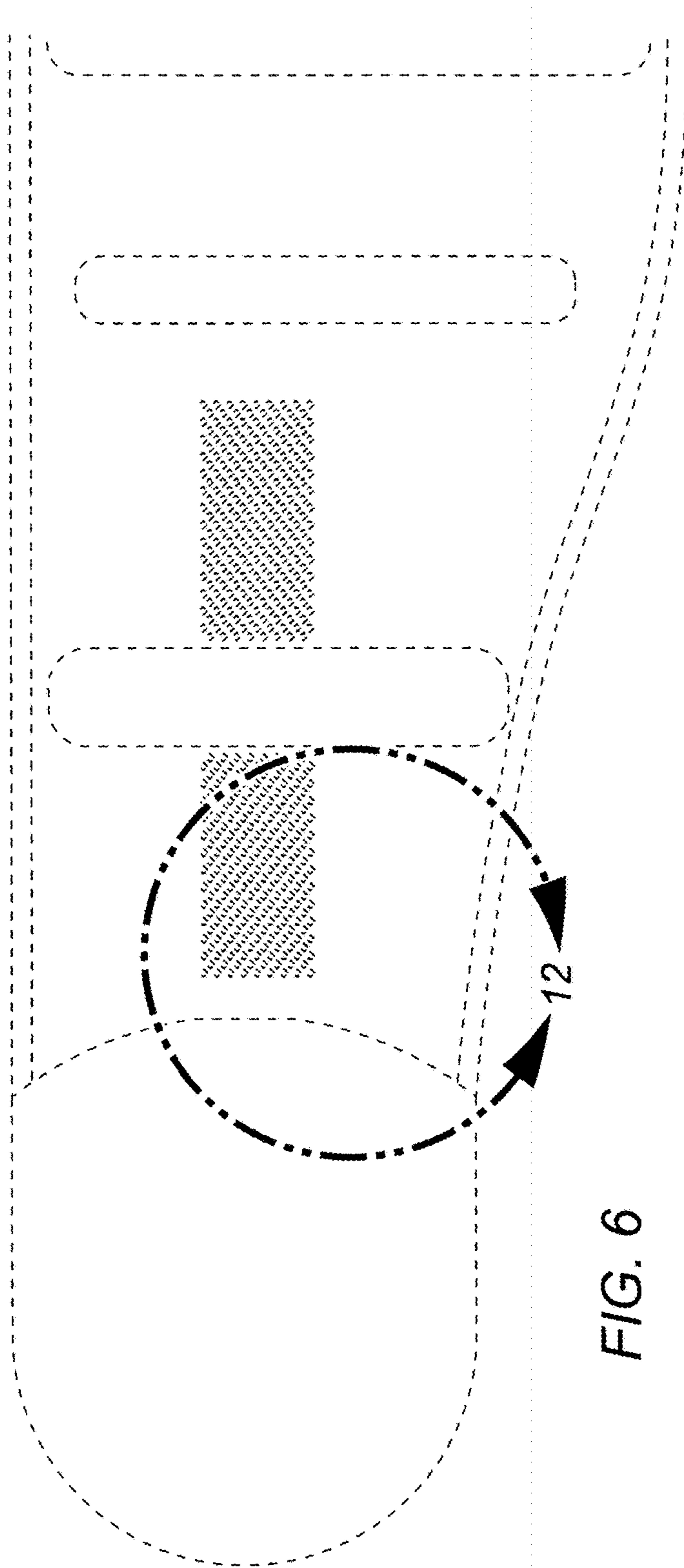


FIG. 6

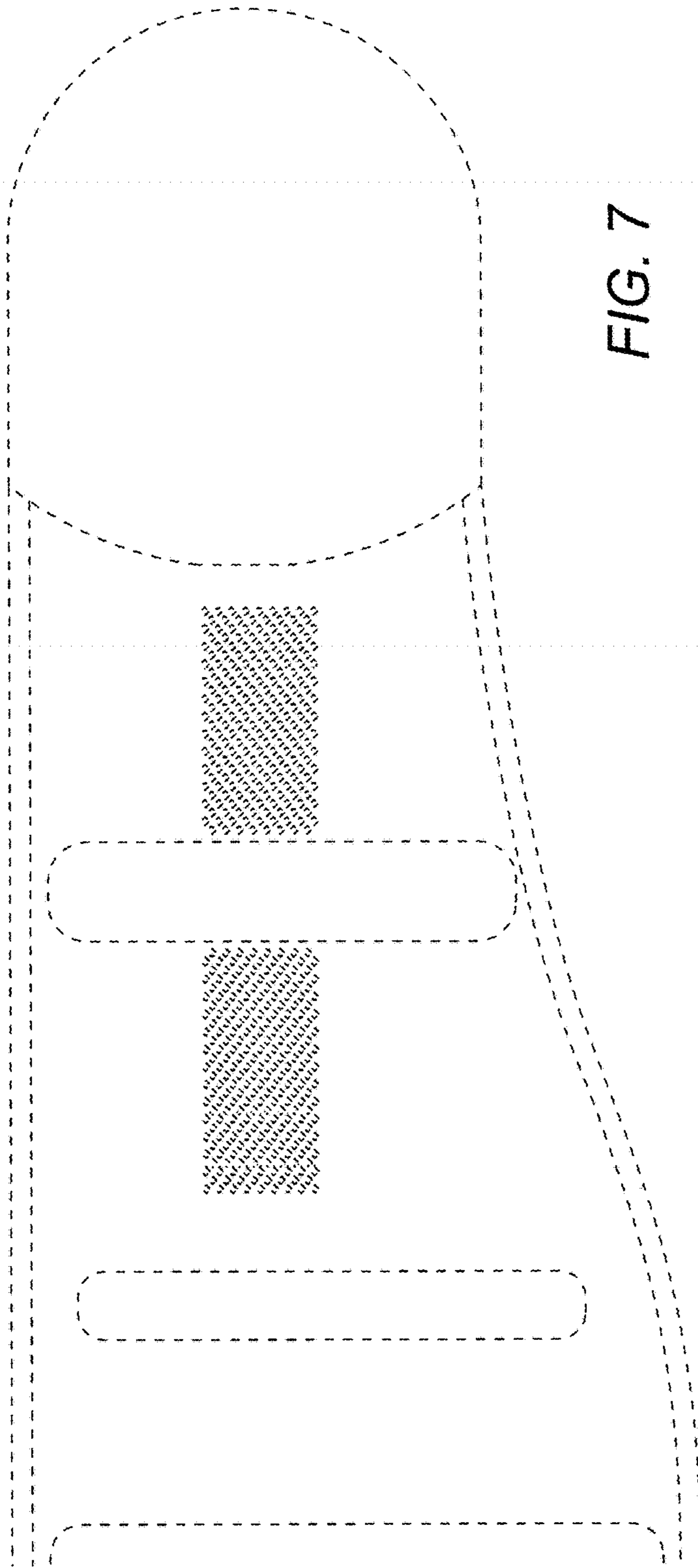


FIG. 7

FIG. 8

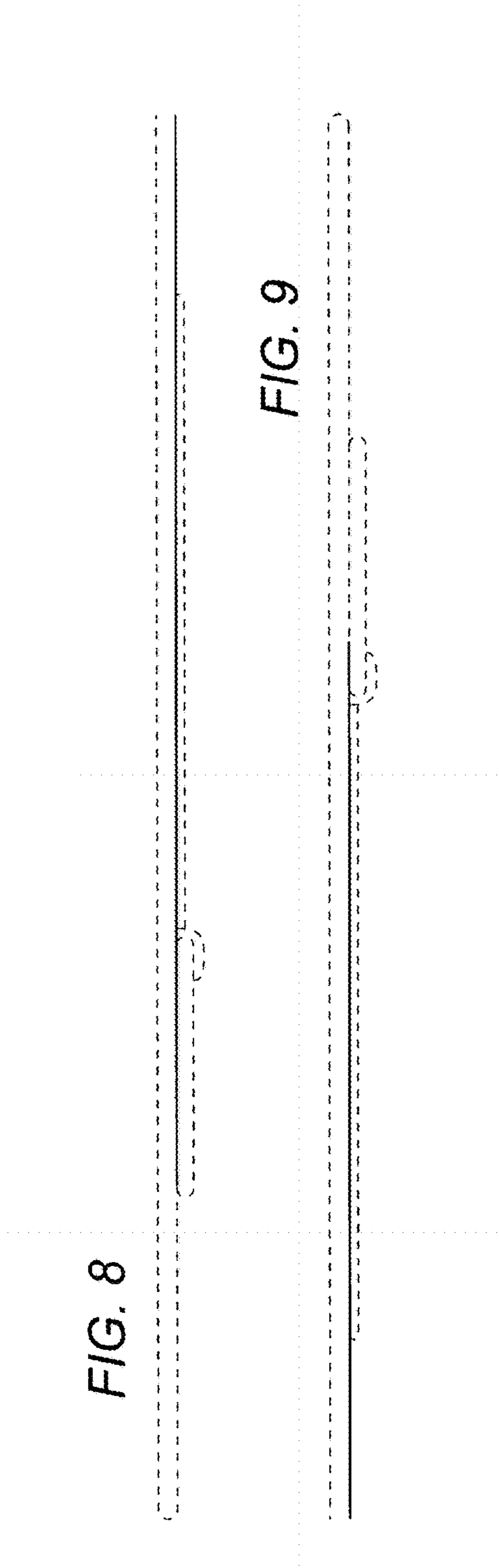


FIG. 9

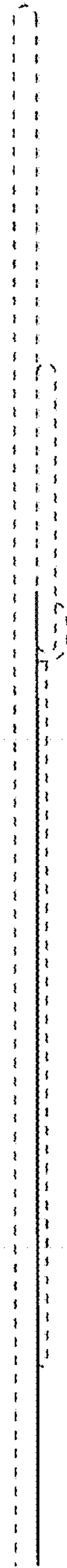
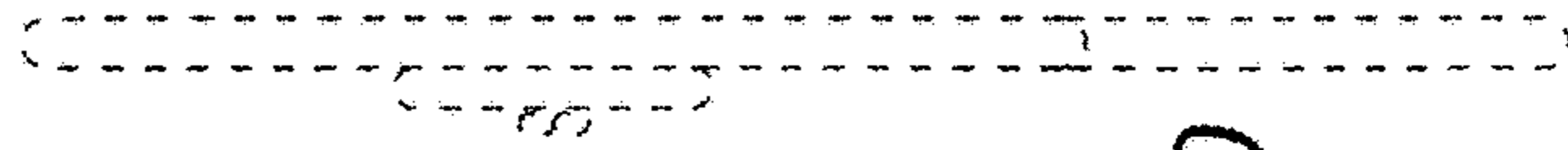


FIG. 10



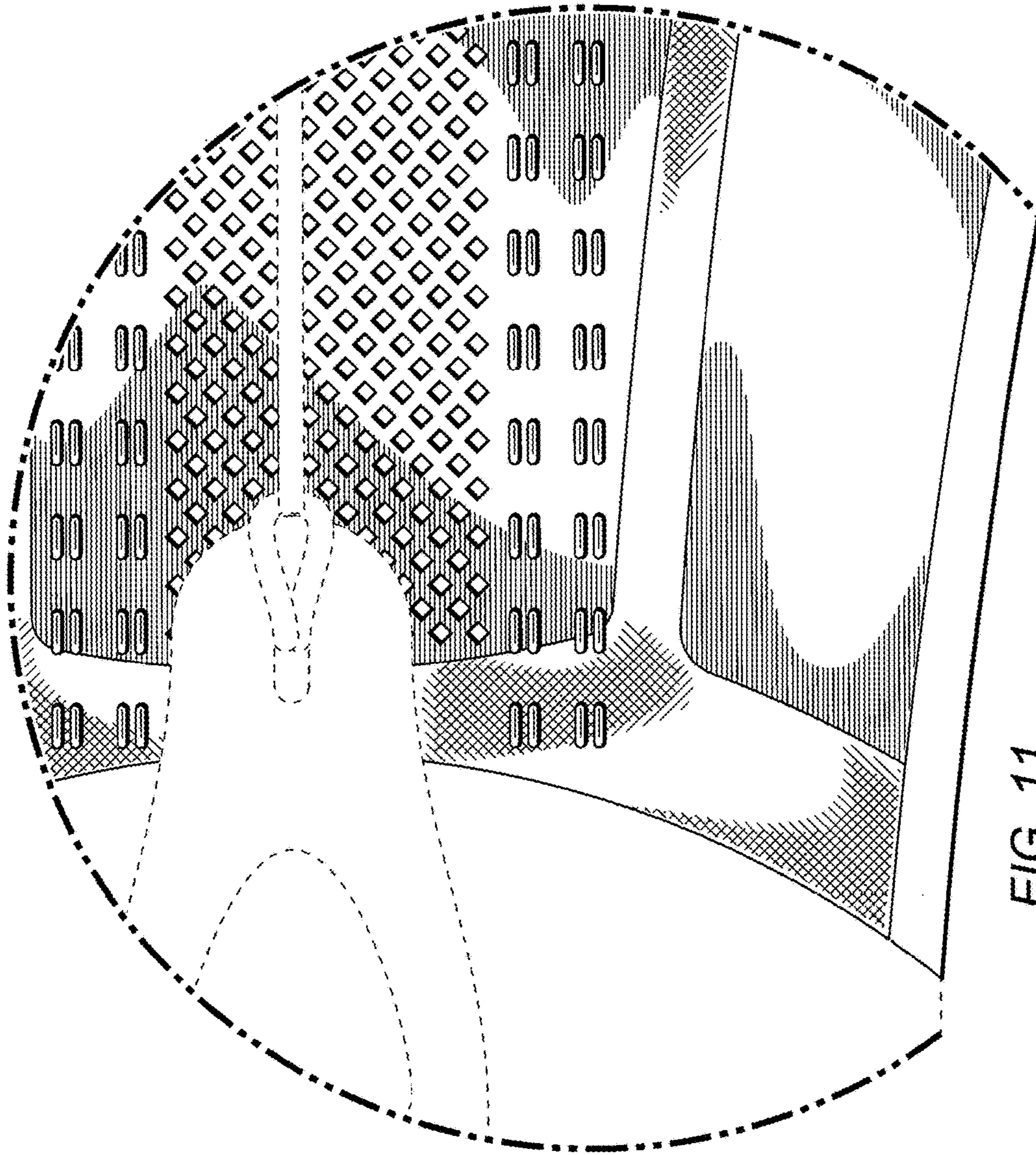


FIG. 11

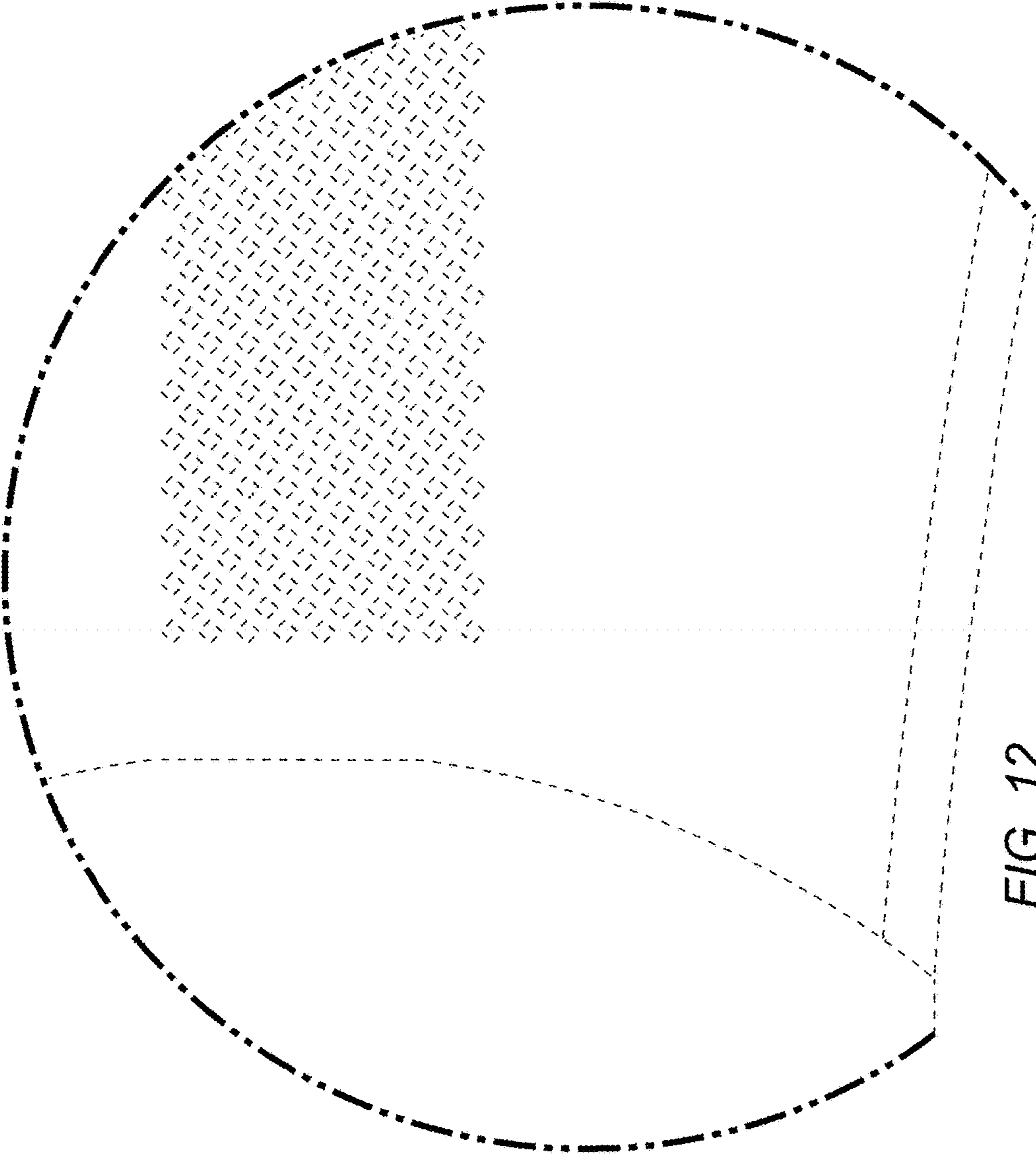


FIG. 12

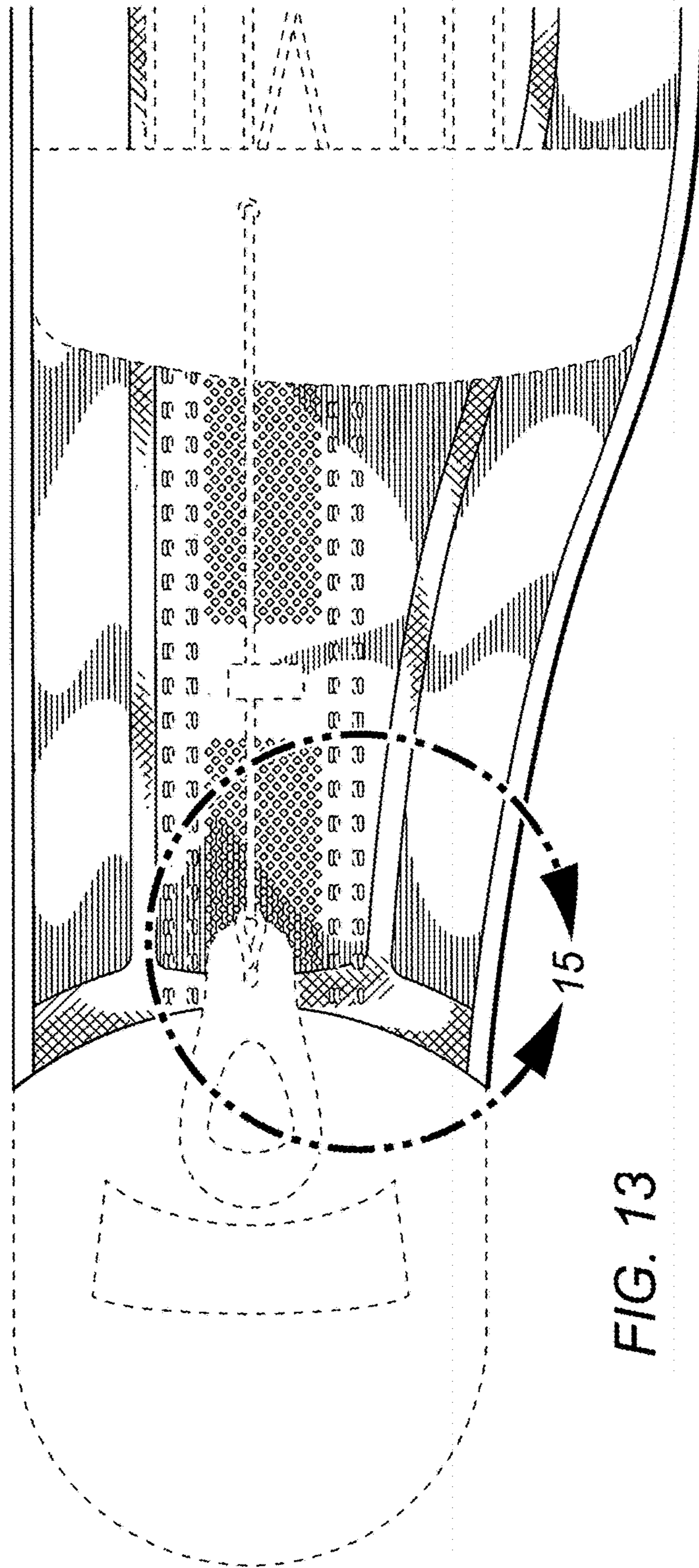


FIG. 13

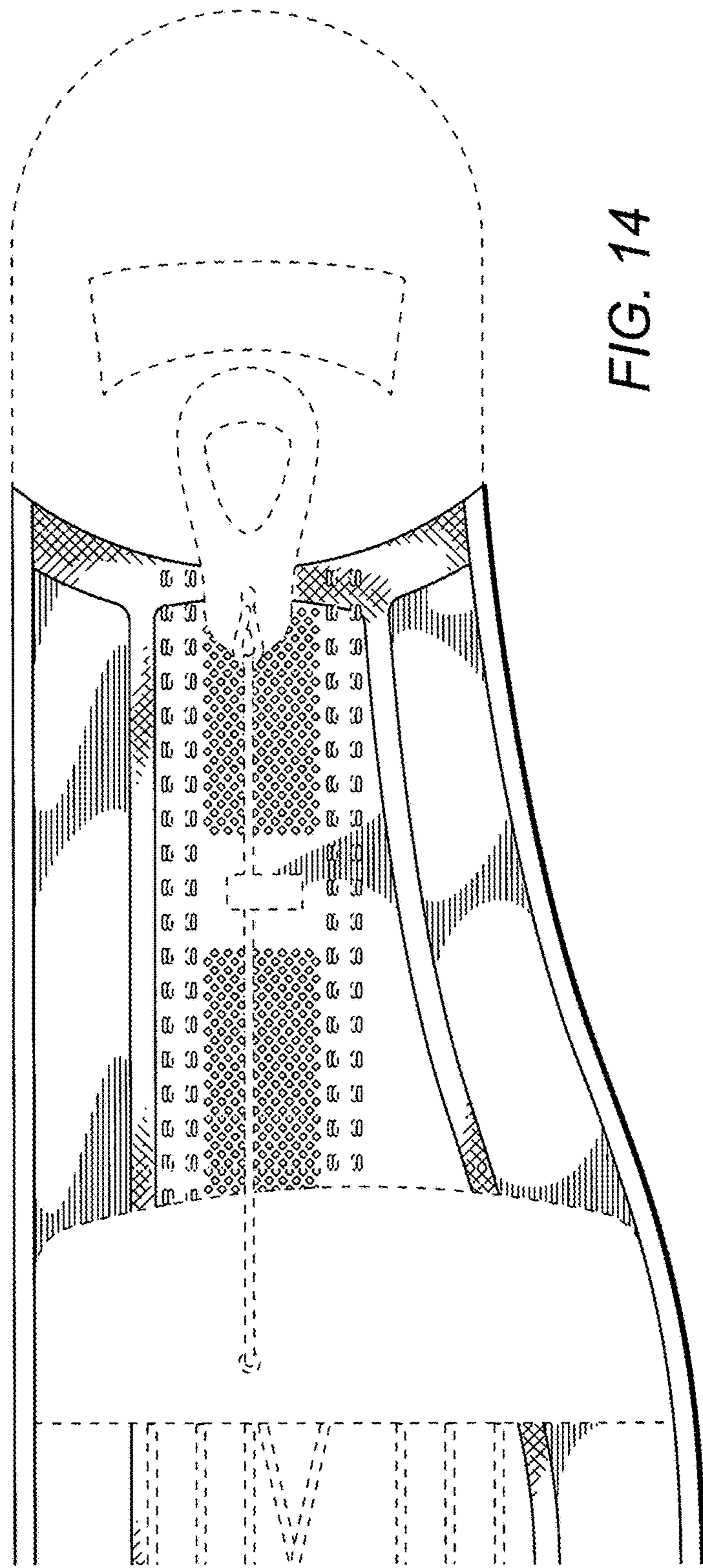


FIG. 14

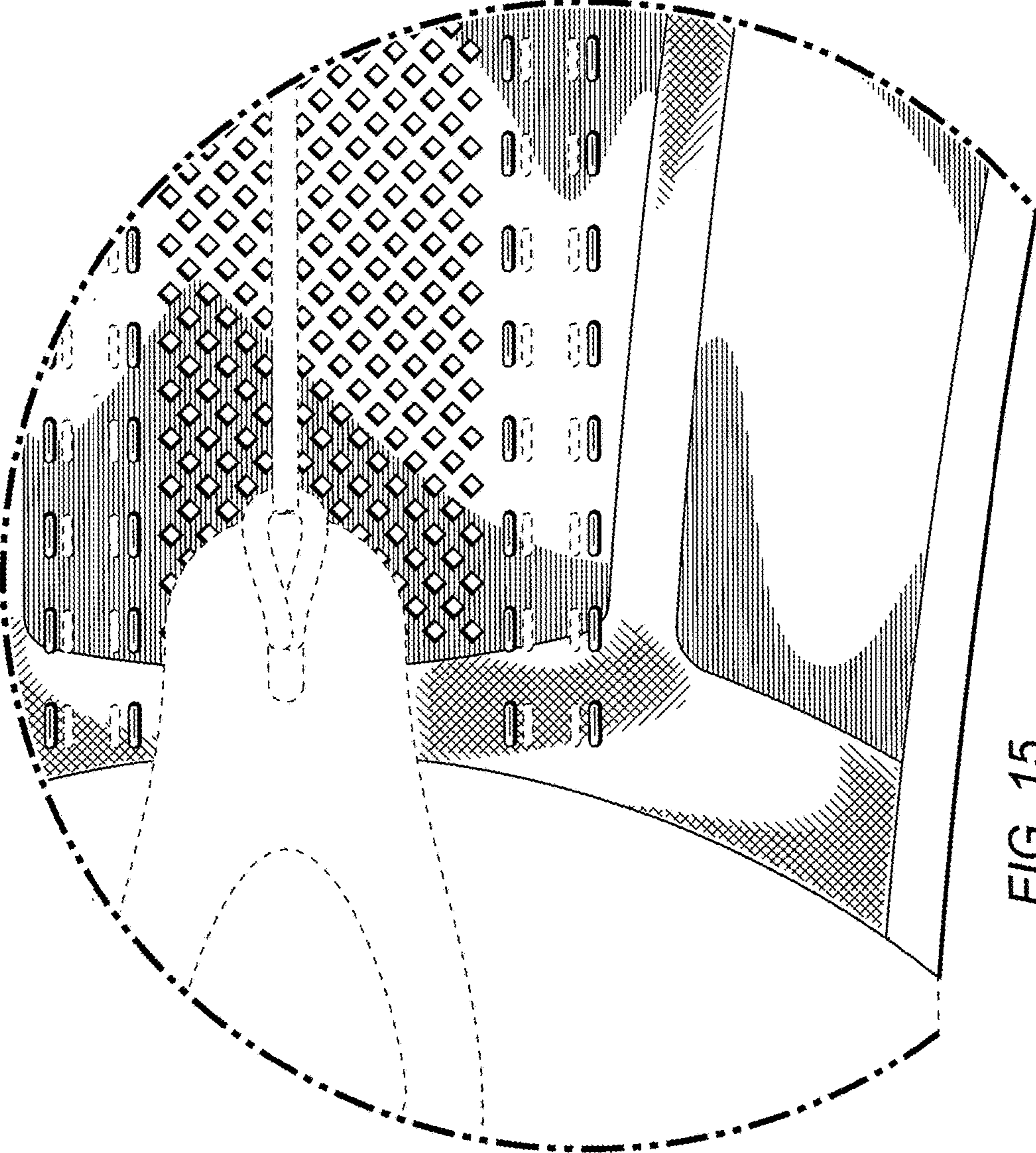


FIG. 15

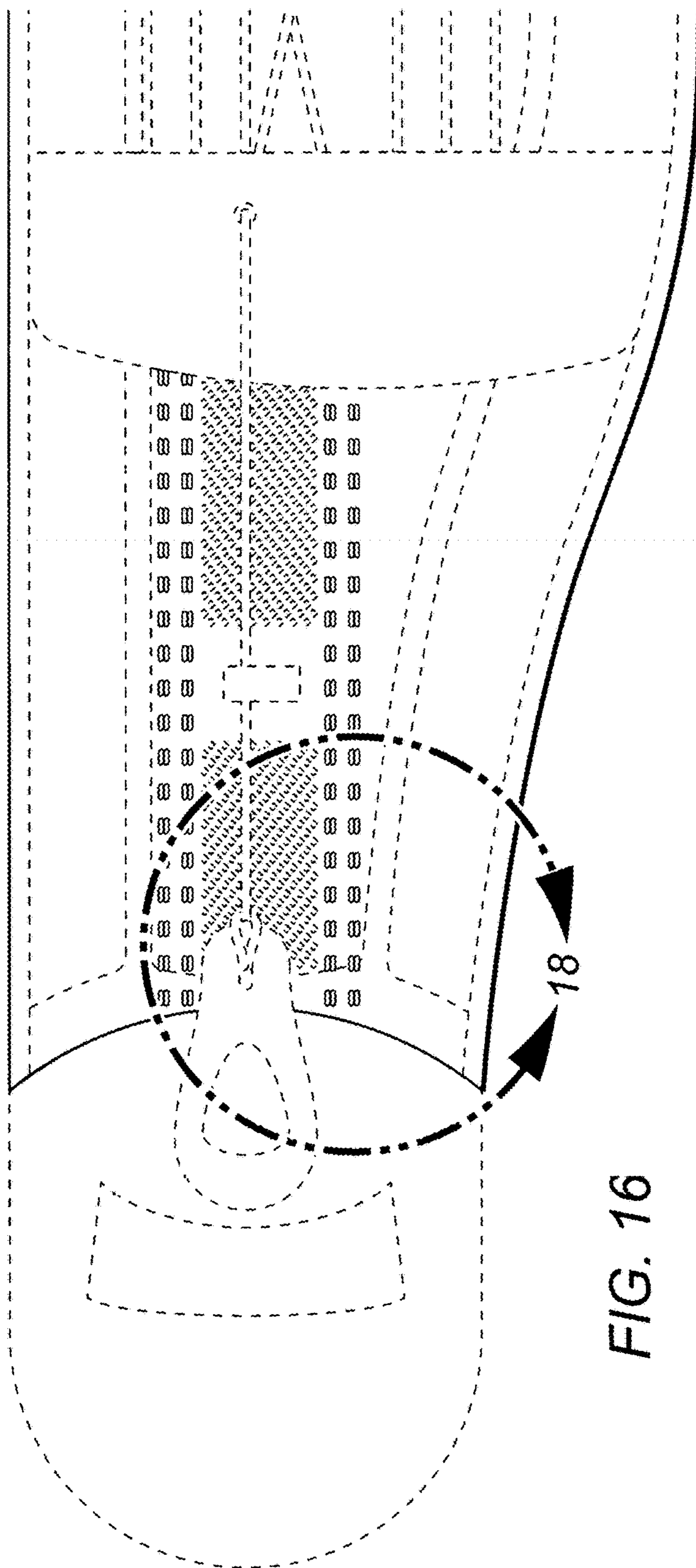
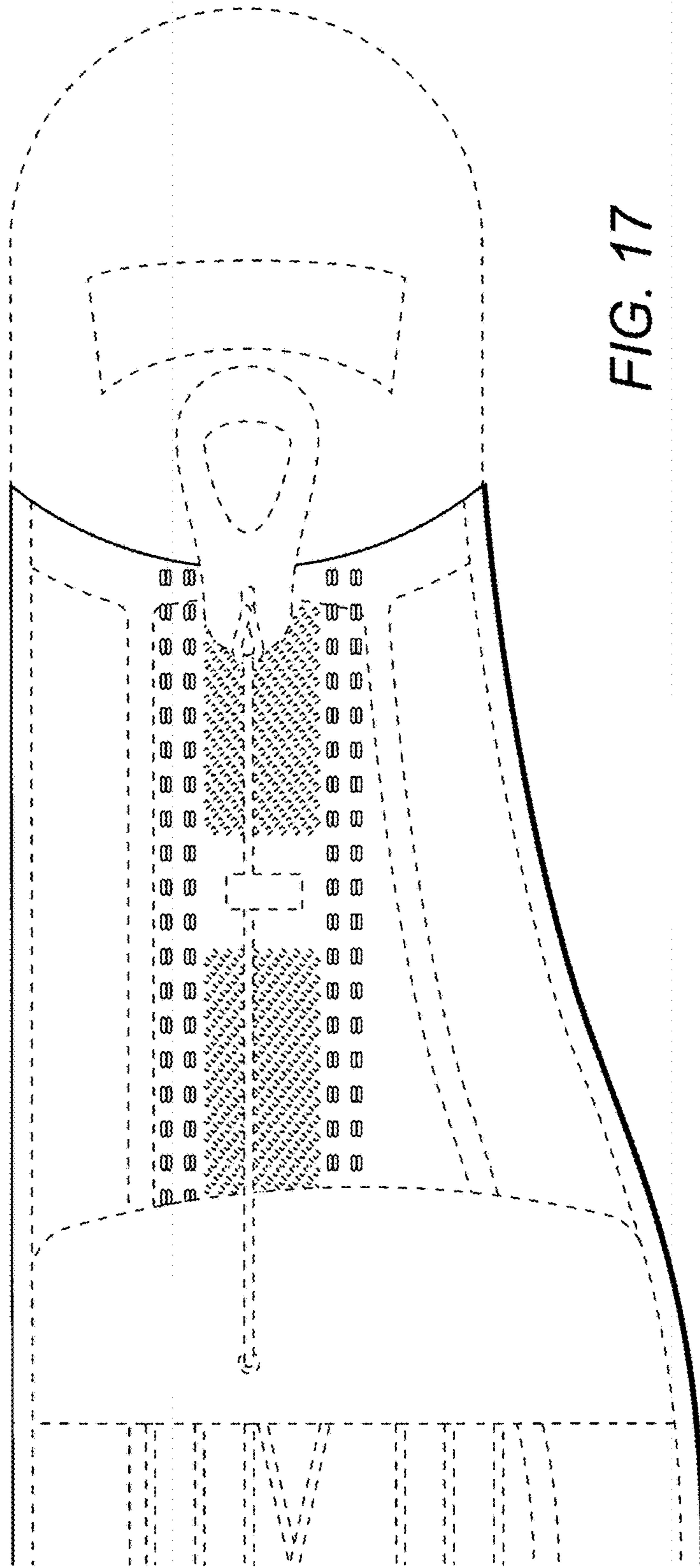


FIG. 16



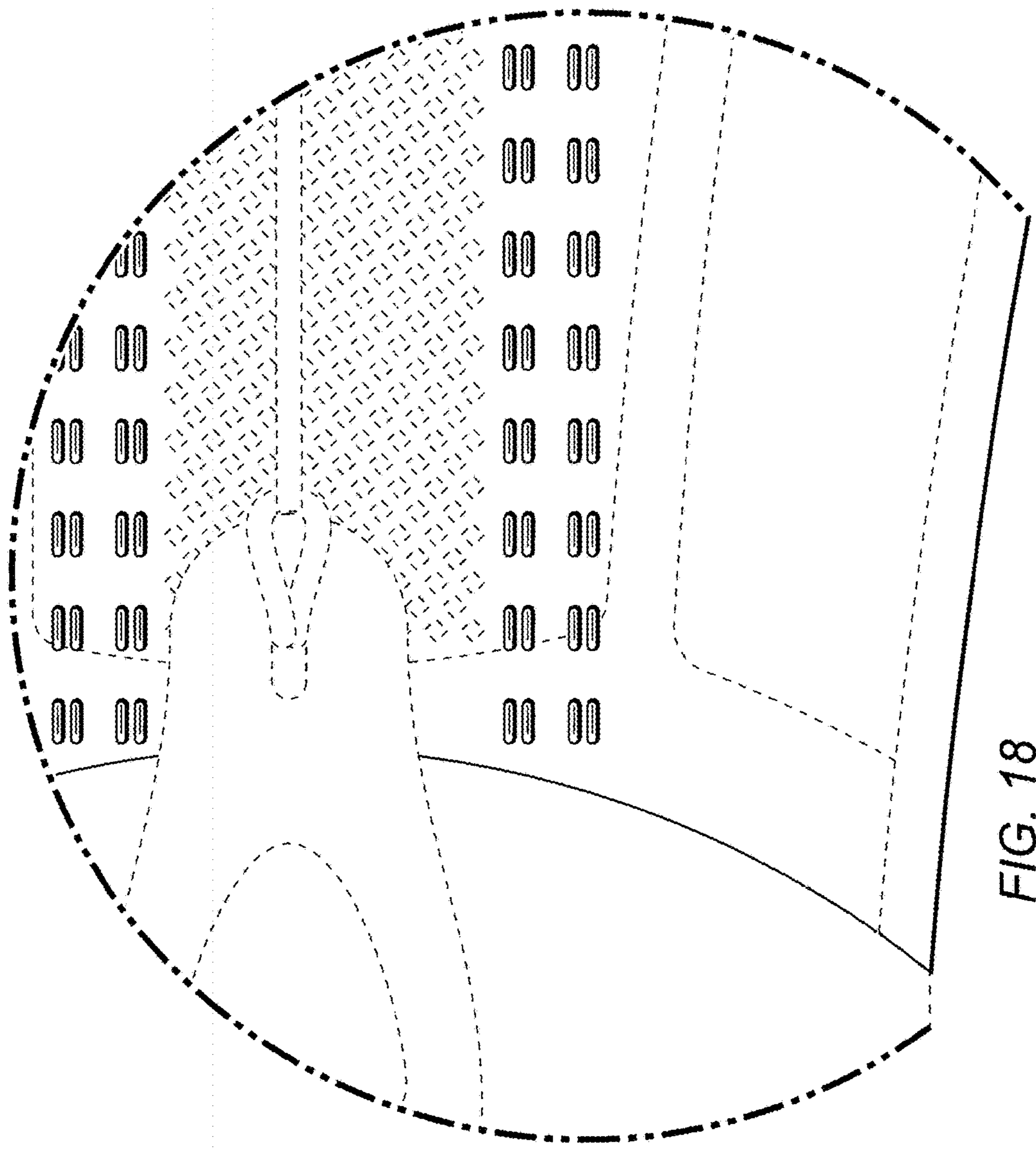


FIG. 18

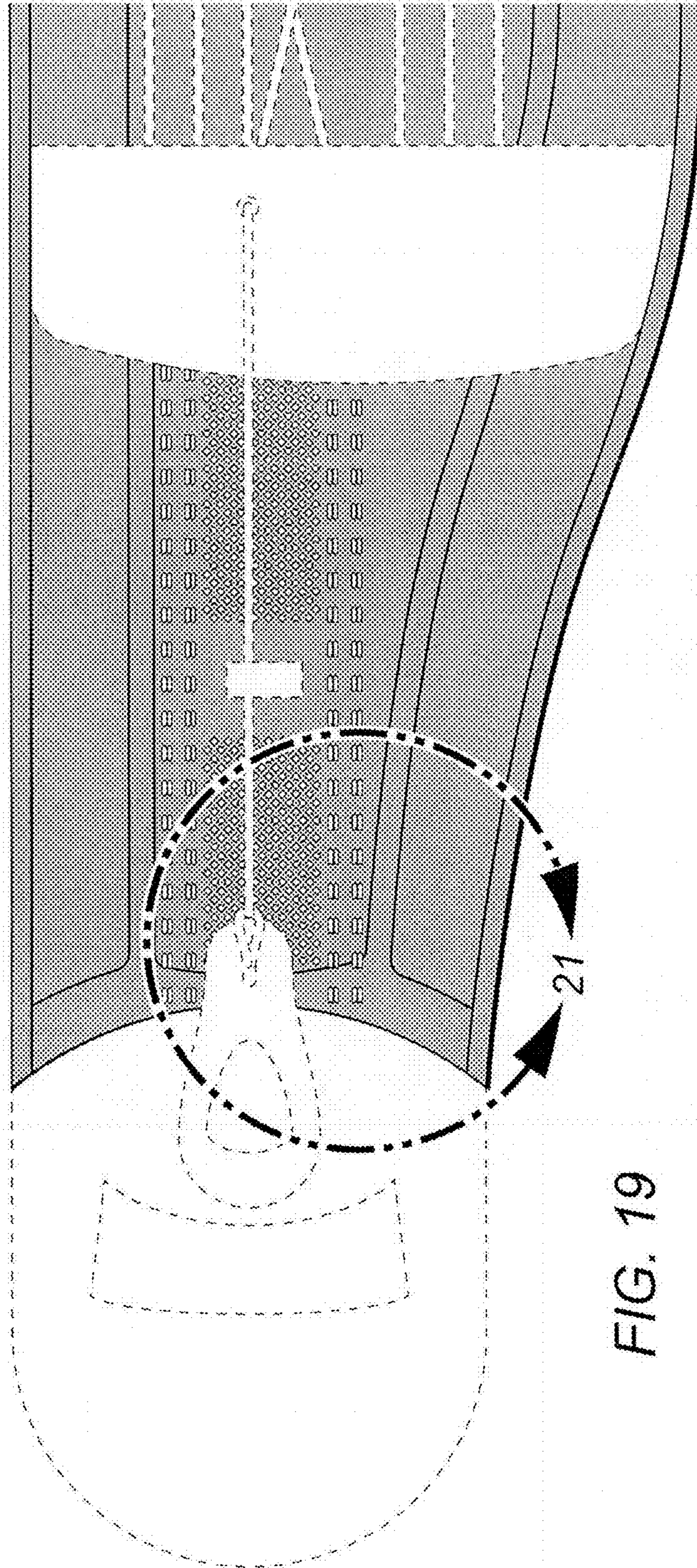


FIG. 19

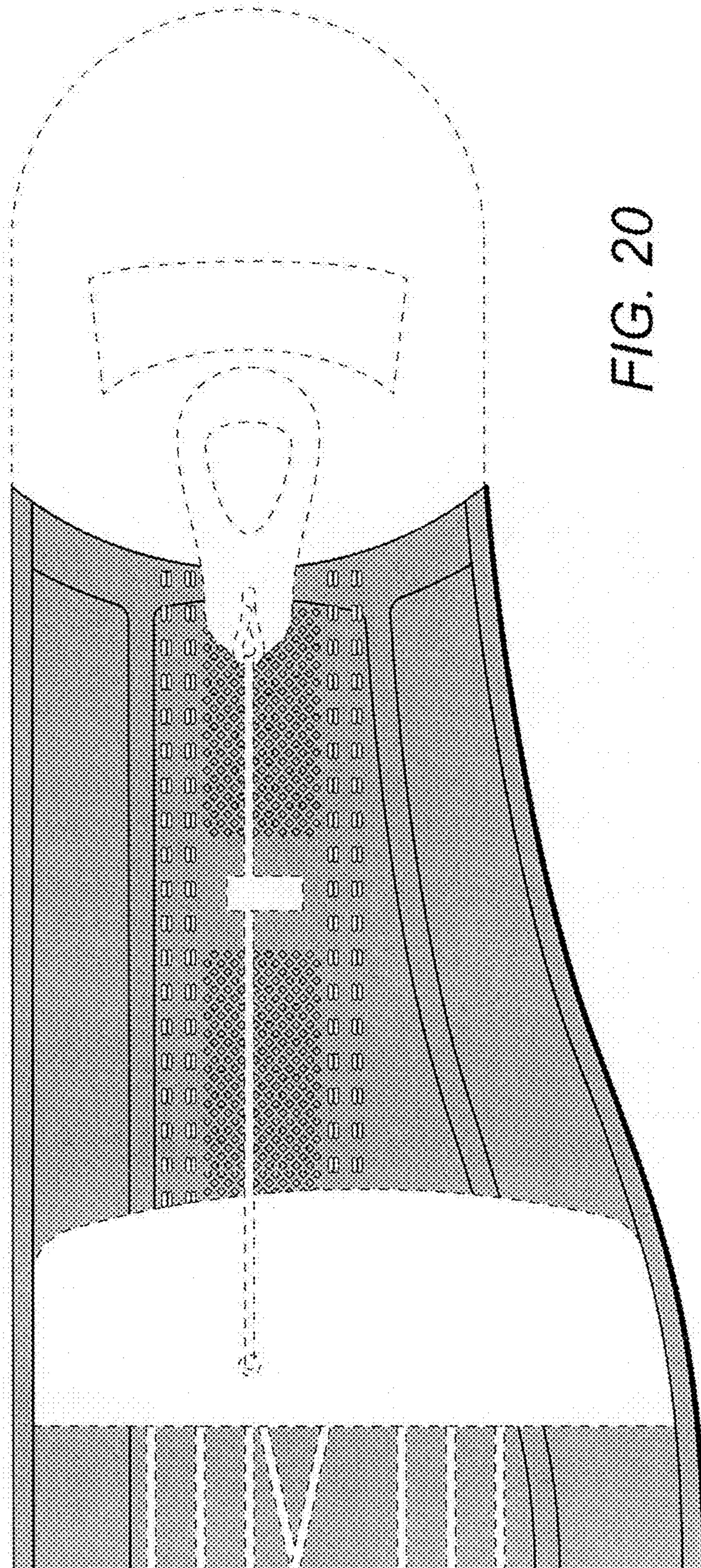


FIG. 20

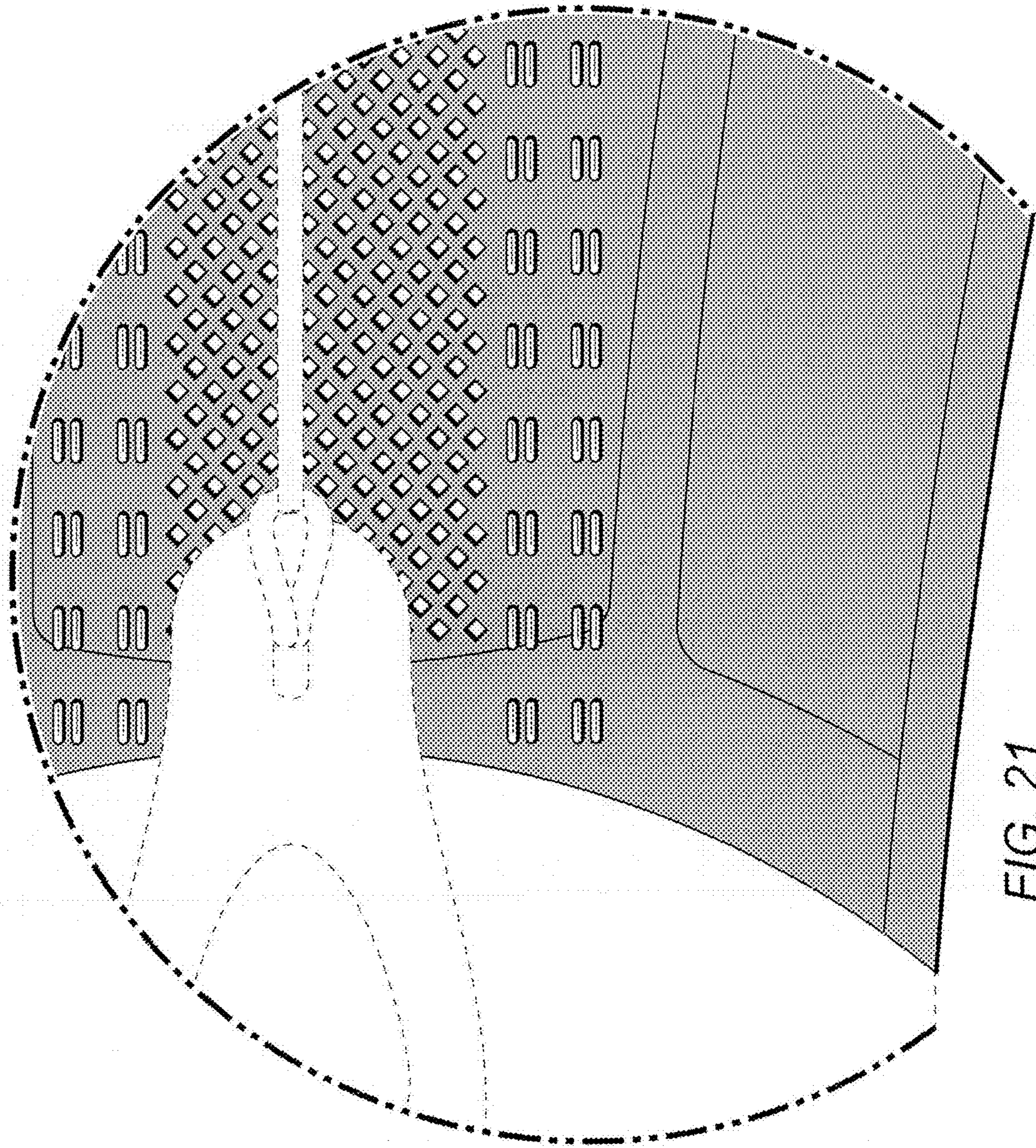


FIG. 21