



US00D812232S

(12) **United States Design Patent**
Chin

(10) **Patent No.:** **US D812,232 S**

(45) **Date of Patent:** **** Mar. 6, 2018**

(54) **GLUCOSE MONITORING SYSTEM**

(71) Applicant: **Medika Therapeutics, Inc.**, Fremont, CA (US)

(72) Inventor: **SingFatt Chin**, Pleasanton, CA (US)

(73) Assignee: **Medika Therapeutics, Inc.**, Fremont, CA (US)

(**) Term: **15 Years**

(21) Appl. No.: **29/561,051**

(22) Filed: **Apr. 12, 2016**

(51) **LOC (11) Cl.** **24-01**

(52) **U.S. Cl.**
USPC **D24/186**

(58) **Field of Classification Search**

USPC D24/186, 107, 111, 160, 164-165, D24/167-169, 183-184, 187, 216-234; D10/46, 81, 104.1; D14/126, 371, 381
CPC A61B 5/02028; A61B 5/029; A61B 8/06; A61B 5/0205; A61B 2562/0247; A61B 5/150229; A61B 5/7278; A61B 8/04; A61B 8/0891; A61B 8/488; A61B 5/021; A61B 5/026; A61B 5/0285; A61B 5/0803; A61B 5/14532; A61B 5/14546; A61F 2/2451; A61M 5/16854; G06T 2207/10132; G06T 2207/30048
See application file for complete search history.

(56) **References Cited**

U.S. PATENT DOCUMENTS

D392,740 S * 3/1998 Yung D24/169
D546,458 S * 7/2007 Hannant D24/186

D585,993 S * 2/2009 Kousuge D24/186
D586,466 S * 2/2009 Smith D24/186

* cited by examiner

Primary Examiner — Wan Laymon

Assistant Examiner — Mark Booker

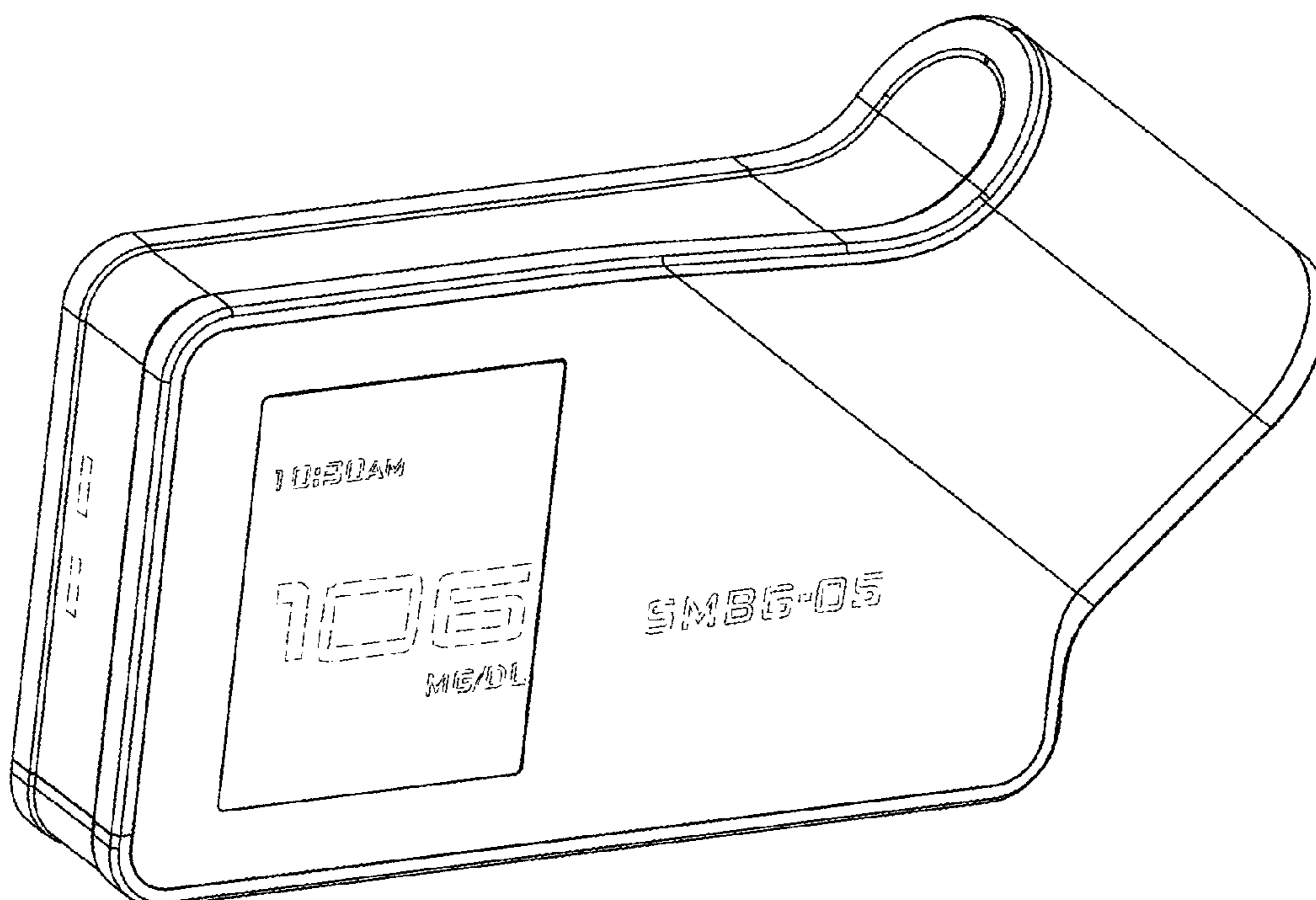
(57) **CLAIM**

I claim the ornamental design for a glucose monitoring system, as shown and described.

DESCRIPTION

FIG. 1 is a three-dimensional view of a glucose monitoring system showing my new design;
FIG. 2 is another three-dimensional view of the glucose monitoring system shown in FIG. 1;
FIG. 3 is a side view of the glucose monitoring system shown in FIG. 1;
FIG. 4 is a top view of the glucose monitoring system shown in FIG. 1;
FIG. 5 is a bottom view of the glucose monitoring system shown in FIG. 1;
FIG. 6 is a front view of the glucose monitoring system shown in FIG. 1; and,
FIG. 7 is a rear view of the glucose monitoring system shown in FIG. 1.
The portions of the articles shown in broken lines form no part of the claimed design.

1 Claim, 3 Drawing Sheets



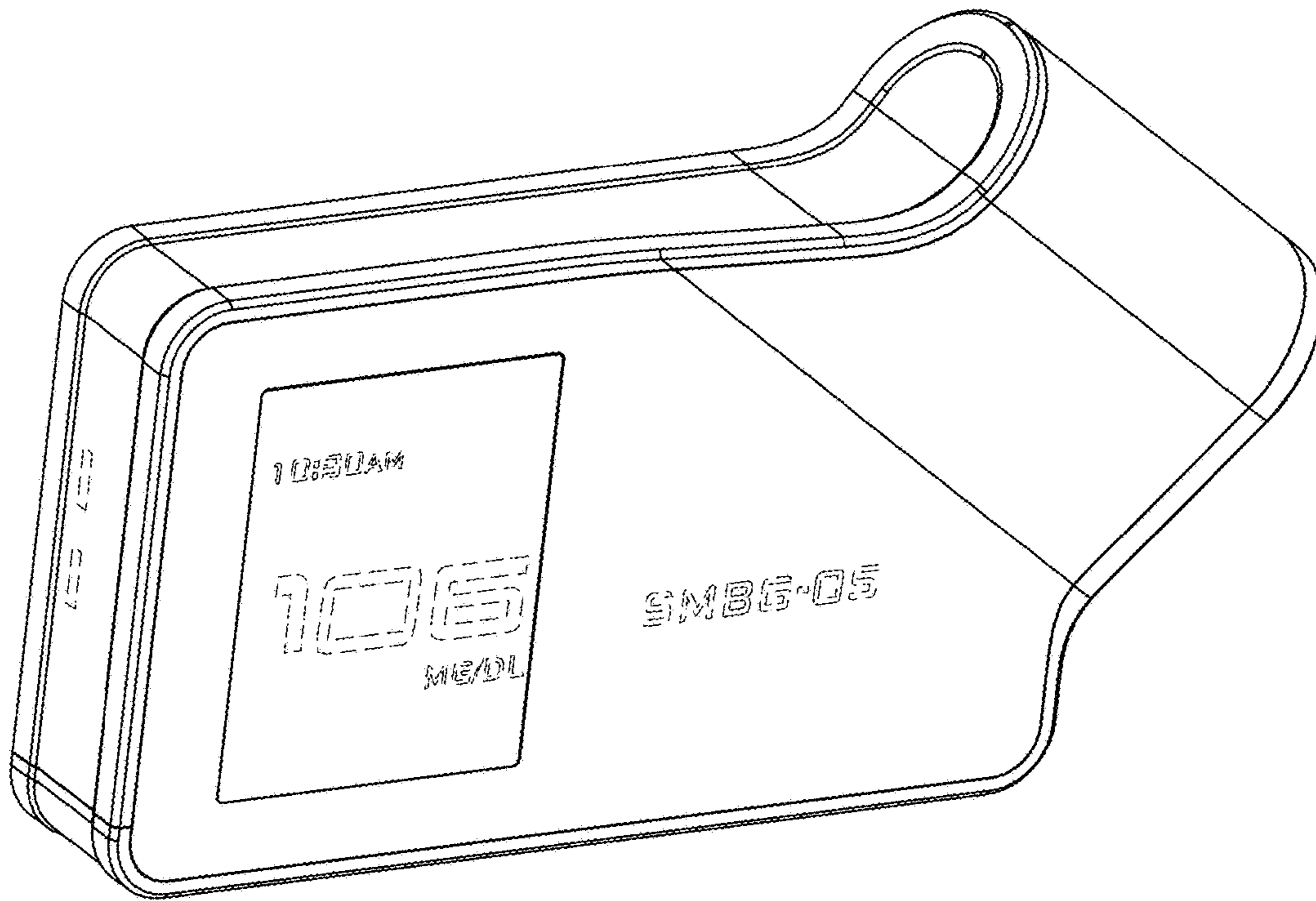


FIG. 1

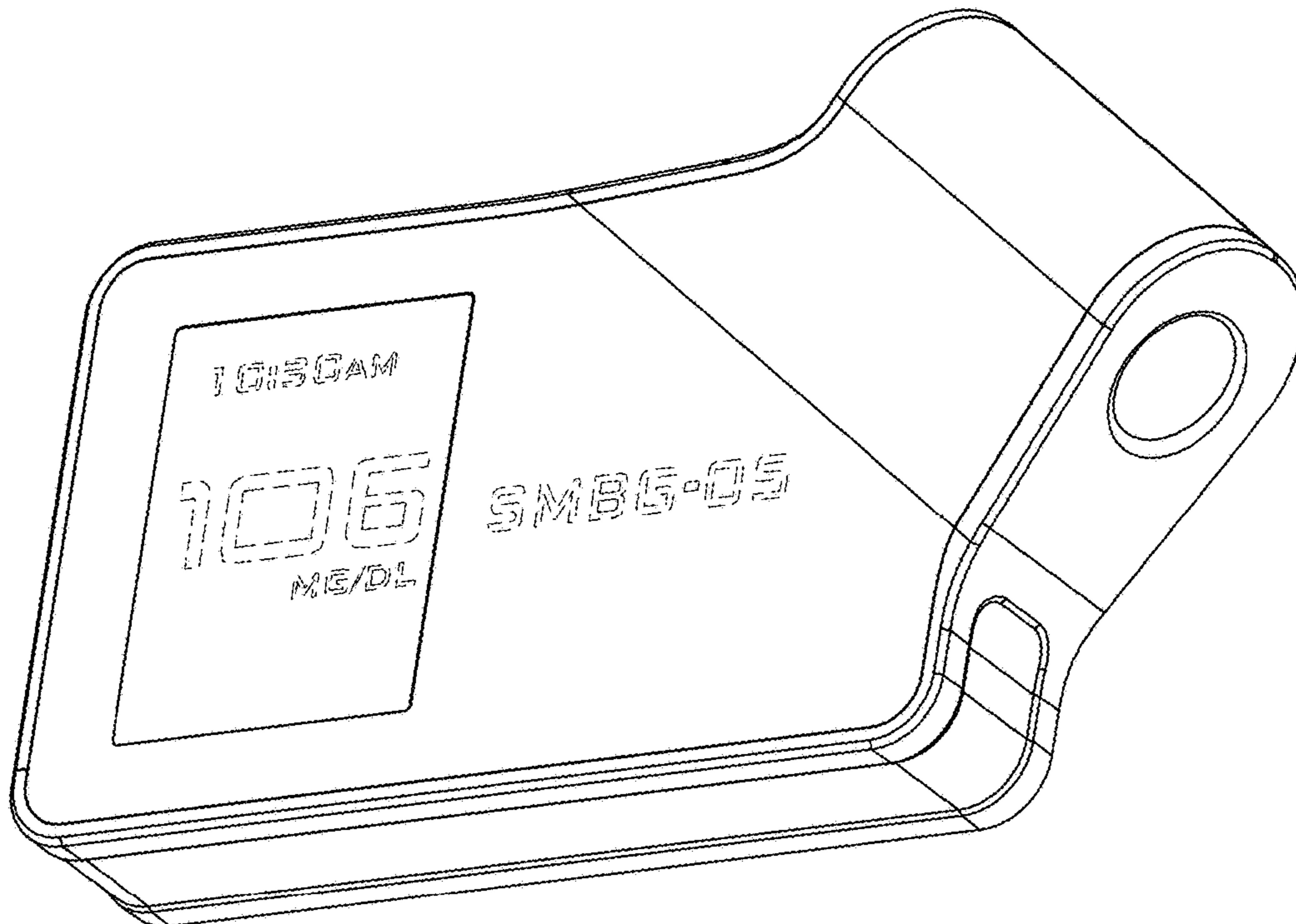


FIG. 2

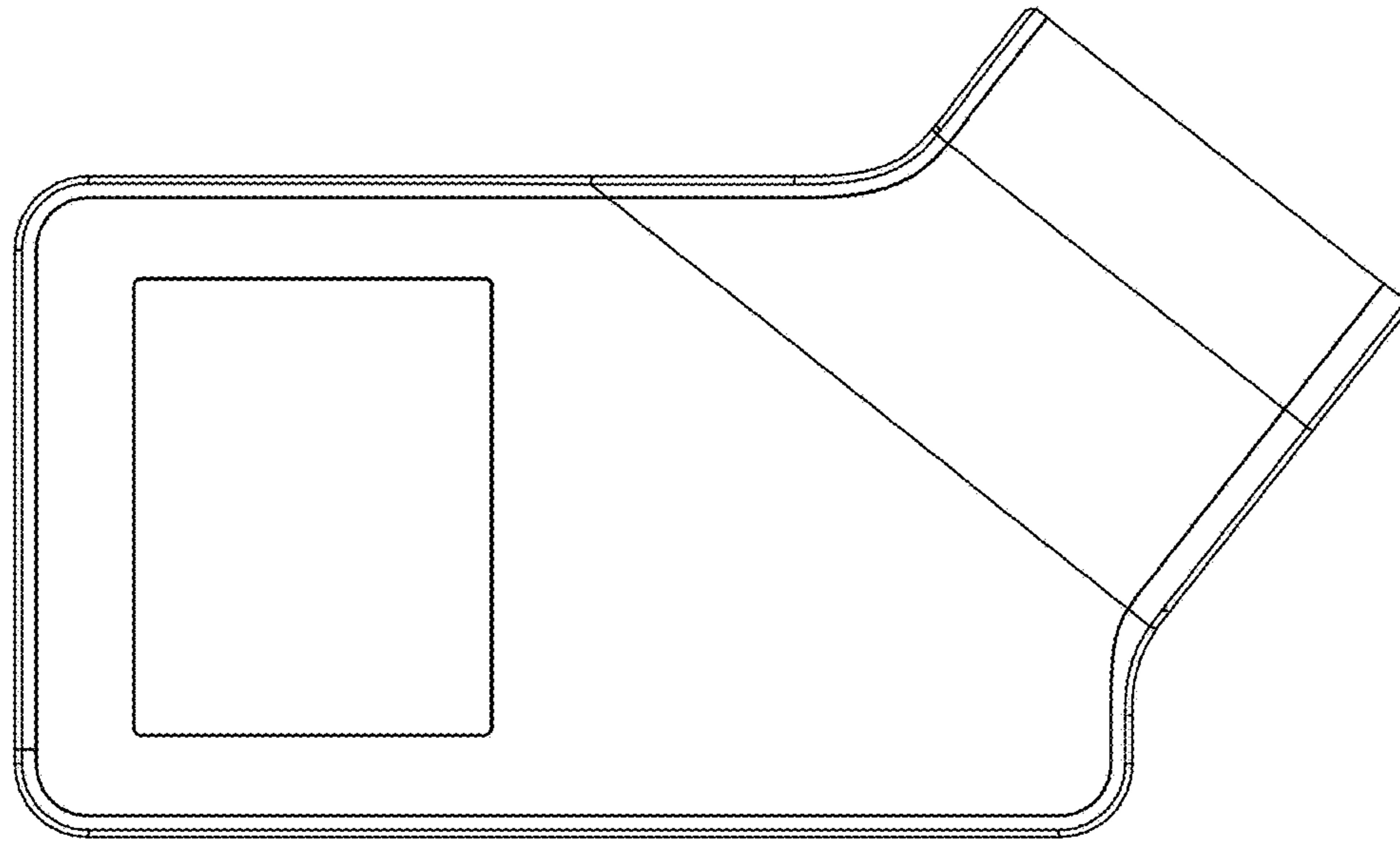


FIG. 3

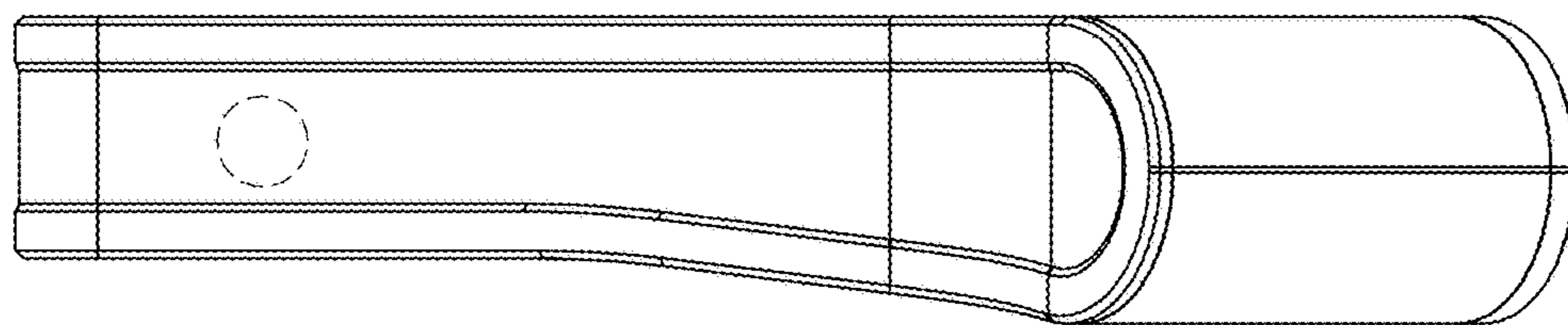


FIG. 4

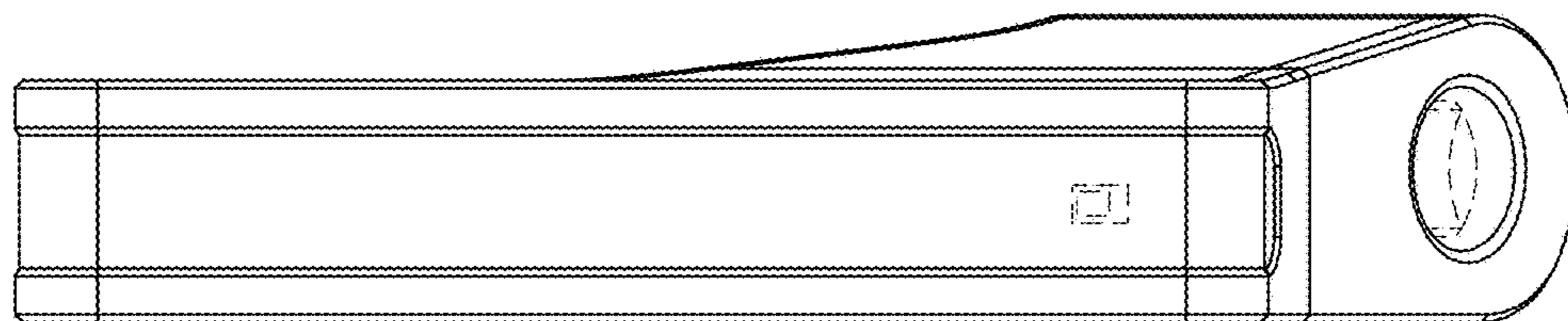


FIG. 5

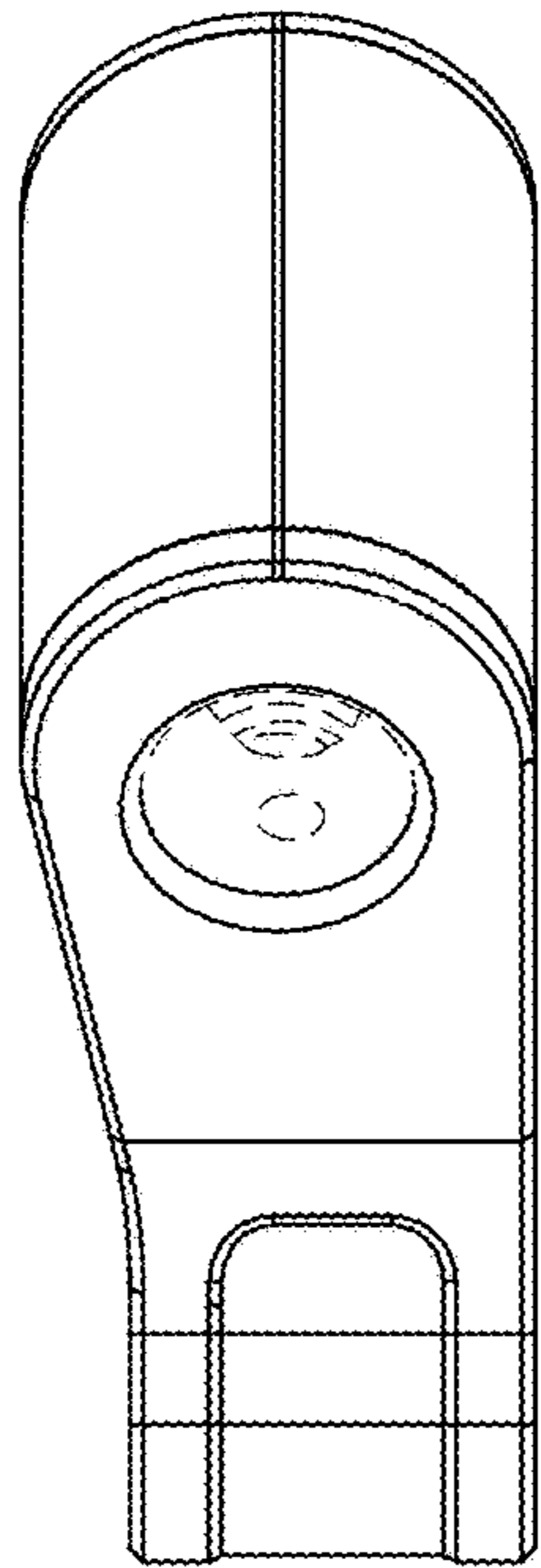


FIG. 6

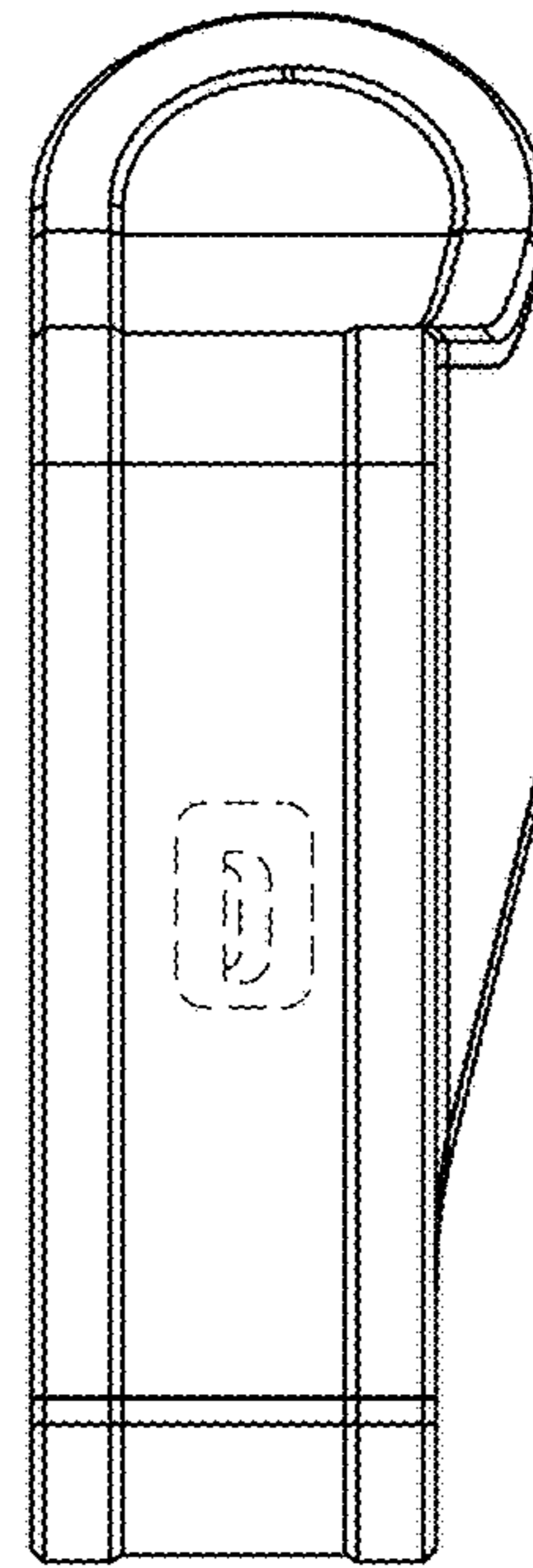


FIG. 7