



US00D812225S

(12) **United States Design Patent**
Kaupp et al.

(10) **Patent No.:** **US D812,225 S**
(45) **Date of Patent:** **** Mar. 6, 2018**

(54) **DENTAL WRENCH**
(71) Applicant: **Titan Dental Systems, LLC**, San Antonio, TX (US)
(72) Inventors: **Matthew A. Kaupp**, San Antonio, TX (US); **John Richard Stockton, Jr.**, San Antonio, TX (US); **Michael J. Crescenzo**, San Antonio, TX (US)
(73) Assignee: **Titan Dental Systems, LLC**, San Antonio, TX (US)

6,162,053 A * 12/2000 Hollander A61C 8/0089
433/141
6,186,785 B1 * 2/2001 Rogers A61C 8/0089
433/141
D488,037 S * 4/2004 Tuanmu D8/25
7,597,032 B2 * 10/2009 Baumgartner A61B 17/8883
81/467
D712,222 S * 9/2014 Cummings D8/25
2007/0281274 A1 * 12/2007 Schraffran A61C 8/0089
433/141
2016/0059395 A1 * 3/2016 Huguelet A61C 8/0089
433/173

(**) Term: **15 Years**

* cited by examiner

(21) Appl. No.: **29/565,646**

Primary Examiner — Wan Laymon

(22) Filed: **May 23, 2016**

(74) *Attorney, Agent, or Firm* — Gregory K. Goshorn;
Greg Goshorn, P.C.

(51) **LOC (11) Cl.** **24-02**

(52) **U.S. Cl.**

USPC **D24/154**; D8/25

(58) **Field of Classification Search**

USPC D24/152–154, 147, 149, 133; D8/24, 21,
D8/25

CPC ... A61C 8/0089; A61C 1/186; A61B 17/8883;
A61B 17/8875; A61B 17/8894; B25B
13/462; B25B 23/0035; B25B 23/08;
B25B 23/105; B25B 23/101; B25B
23/142; B25B 23/1422; B25B 23/1427;
B25B 23/16

See application file for complete search history.

(57) **CLAIM**

We claim the ornamental design for a dental wrench, as shown and described.

DESCRIPTION

FIG. 1 is a top view of a dental wrench showing our new design.

FIG. 2 is a bottom view thereof.

FIG. 3 is a side view thereof, the opposite side view being identical.

FIG. 4 is an end view thereof, the opposite end view being identical; and,

FIG. 5 is a top perspective view thereof.

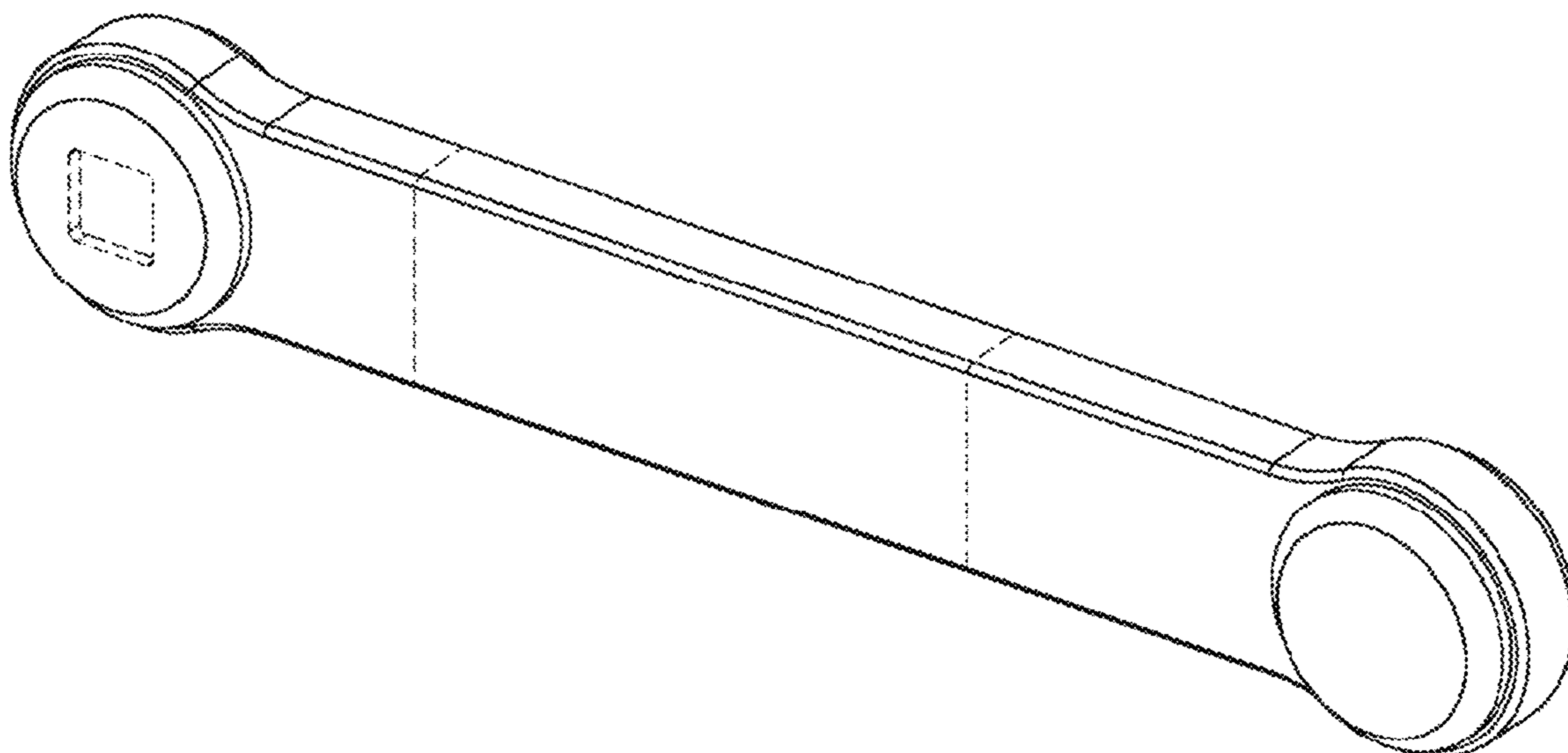
The broken lines in the drawings represent portions of the dental wrench that form no part of the claimed design.

(56) **References Cited**

U.S. PATENT DOCUMENTS

D239,942 S * 5/1976 Junkel D24/152
5,709,137 A * 1/1998 Blacklock A61C 8/0089
81/467

1 Claim, 3 Drawing Sheets



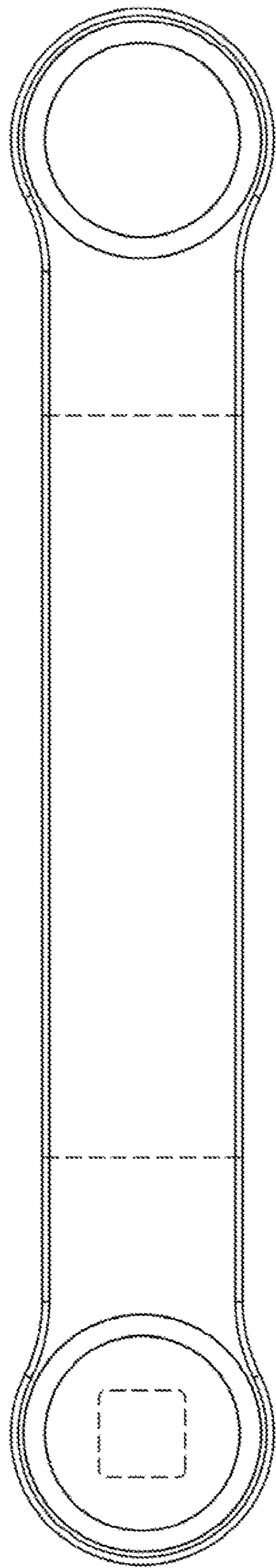


FIG. 1

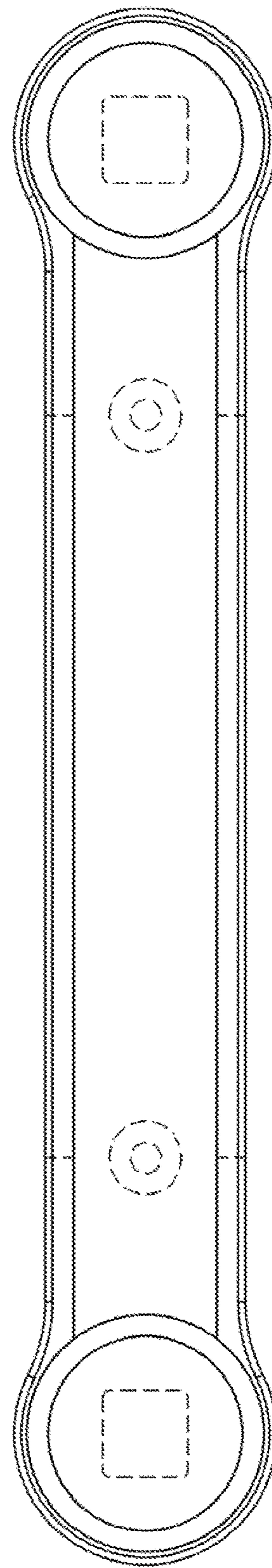


FIG. 2

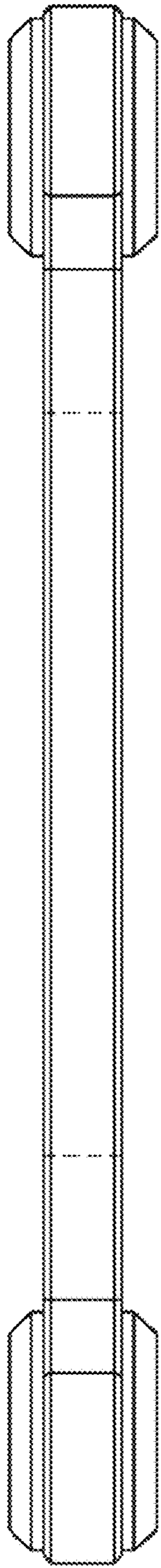


FIG. 3

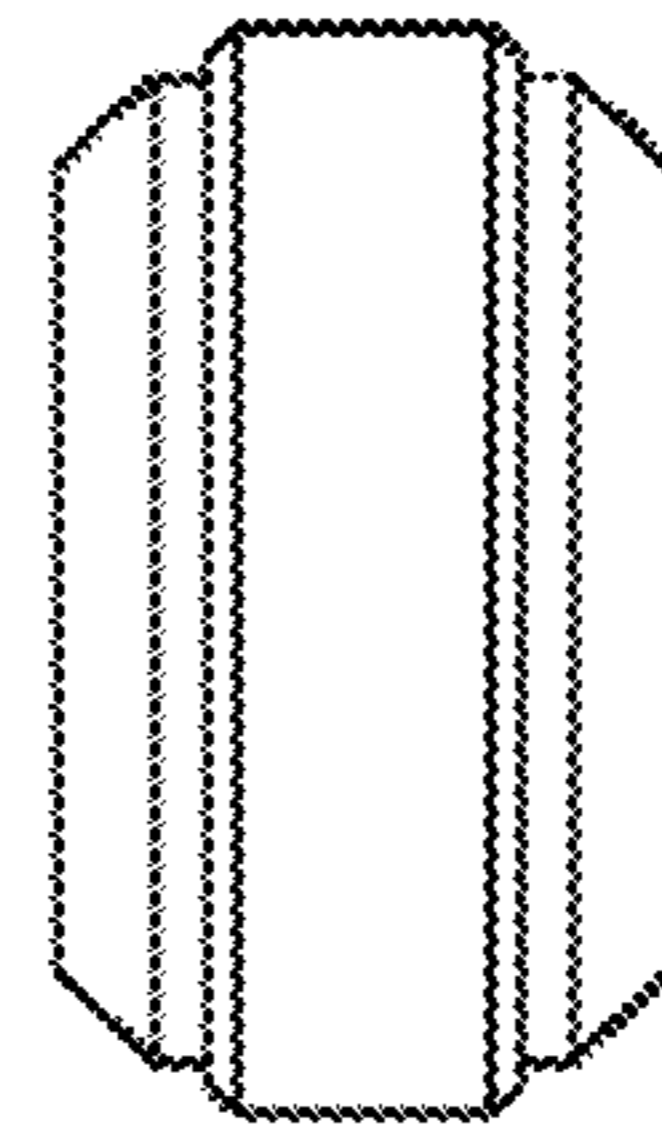


FIG. 4

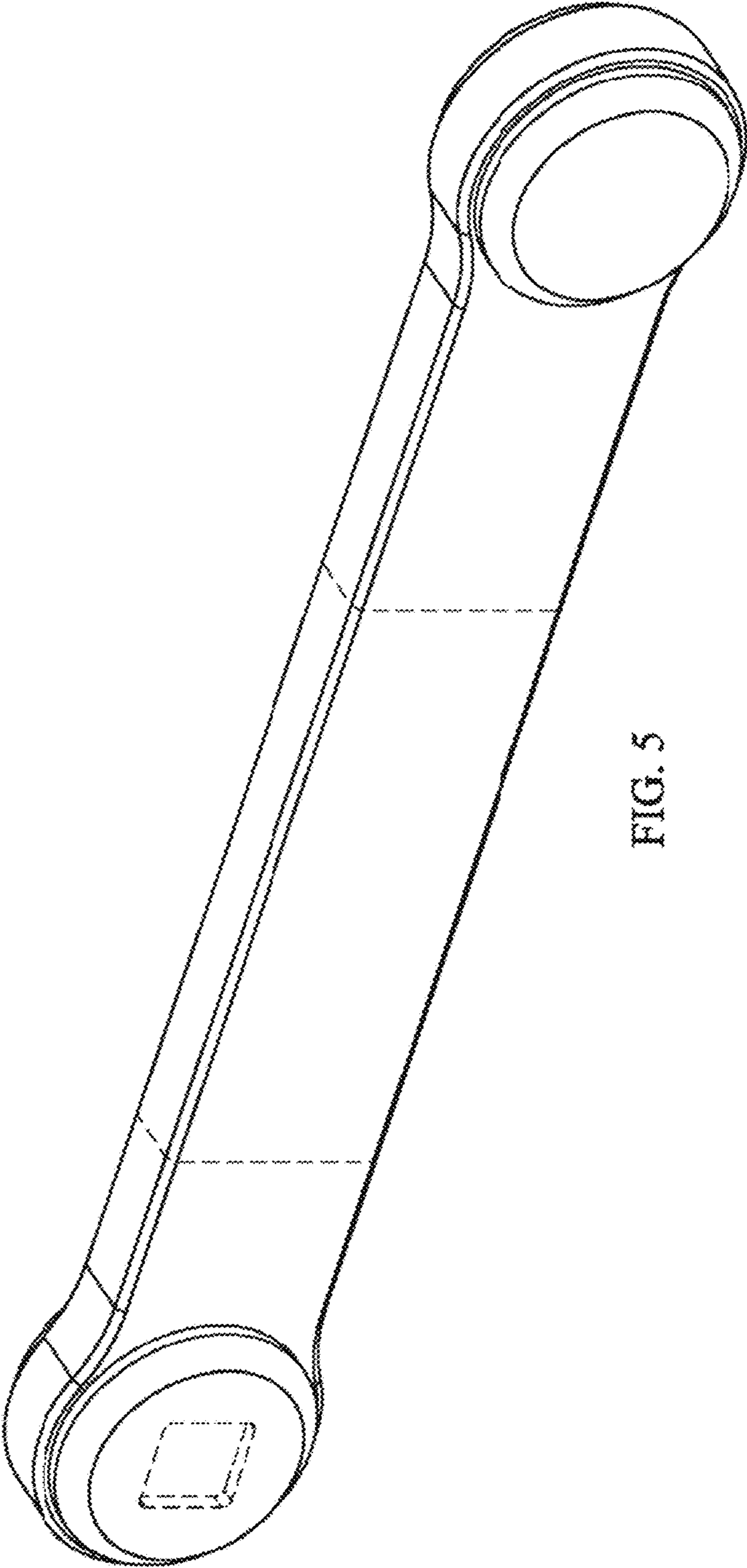


FIG. 5