



US00D812223S

(12) **United States Design Patent** (10) **Patent No.:** **US D812,223 S**
Evans et al. (45) **Date of Patent:** **** Mar. 6, 2018**

(54) **FINGER FLANGE**
(71) Applicant: **West Pharmaceutical Services, Inc.**,
Exton, PA (US)
(72) Inventors: **Christopher Evans**, Long Valley, NJ
(US); **Brian Costello**, Whitehouse
Station, NJ (US)

D372,089 S 7/1996 Sheu
5,554,133 A 9/1996 Haffner et al.
5,607,399 A 3/1997 Grimard et al.
5,667,495 A * 9/1997 Bitdinger A61M 5/315
604/220
5,700,247 A 12/1997 Grimard et al.
D397,790 S 9/1998 Naganuma
5,803,918 A 9/1998 Vetter et al.
(Continued)

(73) Assignee: **West Pharmaceutical Services, Inc.**,
Exton, PA (US)

FOREIGN PATENT DOCUMENTS

WO 2014/025564 A1 2/2014

(**) Term: **15 Years**

OTHER PUBLICATIONS

(21) Appl. No.: **29/527,256**

“British Registration for an Auxiliary Finger Flange for a Syringe”,
RGN 2064934, Seikagaku Kogyo Kabushiki Kaisha, 2 pages (Apr.
14, 1997).

(22) Filed: **May 18, 2015**

(Continued)

(51) **LOC (11) Cl.** **24-02**

(52) **U.S. Cl.**

USPC **D24/130**

(58) **Field of Classification Search**

USPC D24/127–131, 112–114, 133, 186;
606/181, 185; 604/264, 523–528, 272,
604/187, 158, 164.01–164.11, 181, 184,
604/227, 220; 600/101, 139, 143;
128/200.24, 207.14, 207.15

CPC A61M 5/178; A61M 3/00; A61M 5/20;
A61M 5/31; A61M 5/3146; A61M
5/3129; A61M 5/3148; A61M 5/315

See application file for complete search history.

Primary Examiner — David G Muller

(74) *Attorney, Agent, or Firm* — Panitch Schwarze
Belisario & Nadel LLP

(57) **CLAIM**

The ornamental design for a finger flange, as shown and
described.

DESCRIPTION

FIG. 1 is a bottom and rear perspective view of a finger
flange in accordance with a preferred embodiment of my
design;

FIG. 2 is a rear elevational view thereof;

FIG. 3 is a front elevational view thereof;

FIG. 4 is a bottom plan view thereof;

FIG. 5 is a top plan view thereof;

FIG. 6 is a left side elevational view thereof; and,

FIG. 7 is a right side elevational view thereof.

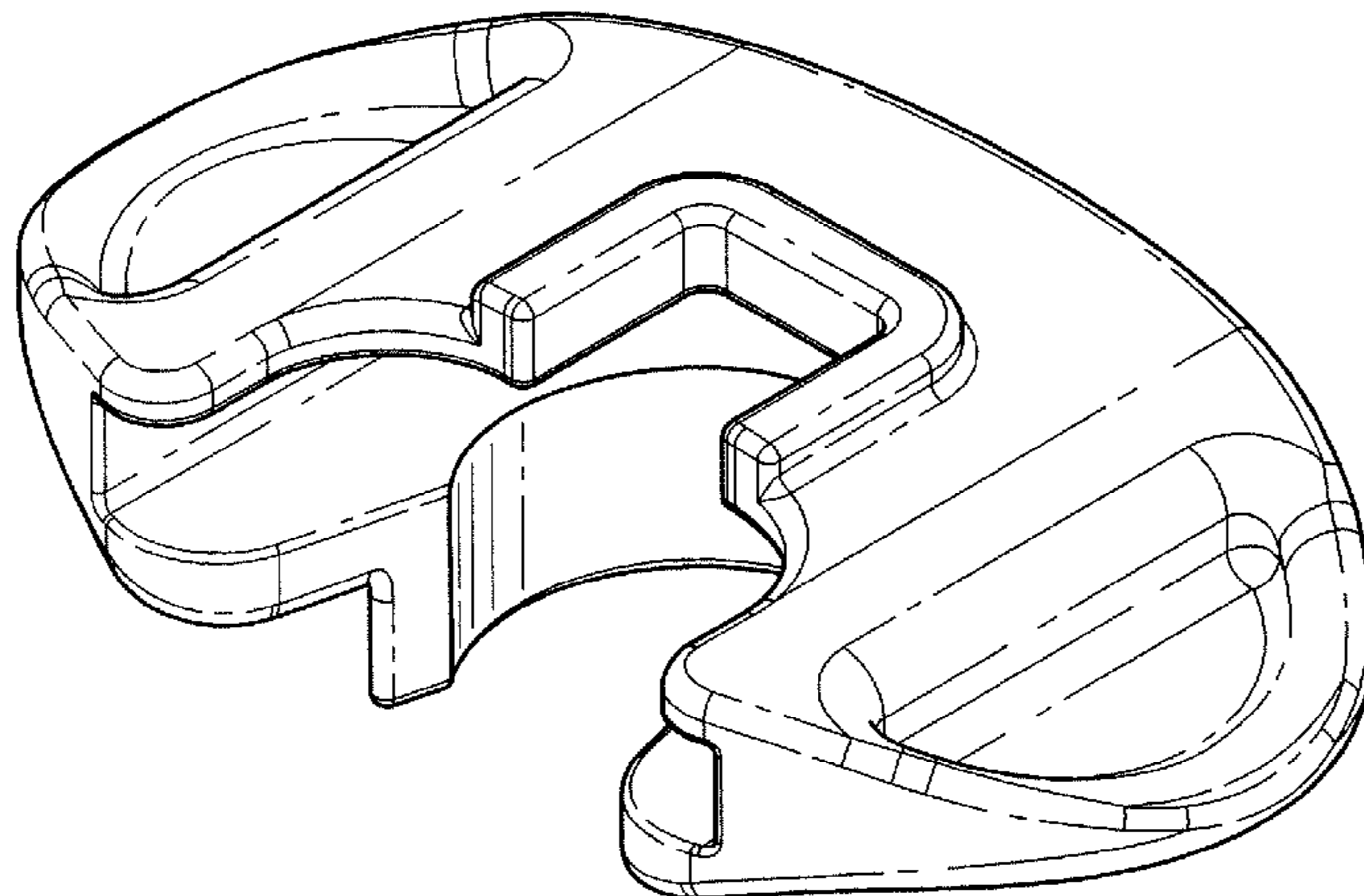
The broken lines in the figures are directed to environment
and form no part of the claimed design.

(56) **References Cited**

U.S. PATENT DOCUMENTS

3,325,061 A 6/1967 Ellsworth
4,610,672 A 9/1986 Ewalt et al.
D293,130 S * 12/1987 Ashie D24/128
4,711,637 A 12/1987 Leigh et al.
4,890,626 A 1/1990 Wang
5,135,511 A 8/1992 Houghton et al.
5,282,792 A 2/1994 Imbert
5,338,309 A 8/1994 Imbert
5,358,497 A 10/1994 Dorsey et al.

1 Claim, 4 Drawing Sheets



(56)

References Cited

U.S. PATENT DOCUMENTS

5,897,532 A 4/1999 Spallek et al.
 5,997,514 A 12/1999 Balestracci
 D425,198 S 5/2000 Porta
 D434,850 S 12/2000 Balestracci
 7,223,259 B2 5/2007 Marshall et al.
 7,361,162 B2 4/2008 Koller et al.
 D576,276 S * 9/2008 Osypka D24/130
 D581,527 S * 11/2008 Jansen D24/130
 7,488,307 B2 2/2009 Rimlinger et al.
 8,016,795 B2 9/2011 Barrelle et al.
 8,075,535 B2 12/2011 Carrel et al.
 8,137,324 B2 * 3/2012 Bobst A61M 5/5013
 604/110
 D660,418 S * 5/2012 Kuczek D24/130
 D668,760 S * 10/2012 Kawamura D24/130
 D675,317 S * 1/2013 Baxter D24/130
 8,608,693 B2 12/2013 Westbye

8,739,796 B2 * 6/2014 Kiernan A61M 16/04
 128/207.14
 D710,005 S * 7/2014 Kawamura D24/130
 8,887,729 B2 * 11/2014 Harrington A61M 16/0465
 128/207.14
 8,920,385 B2 12/2014 Dowds
 D747,796 S * 1/2016 Romao D24/112
 D751,705 S * 3/2016 Hitscherich, Jr. D24/130
 2002/0198499 A1 12/2002 Hu
 2004/0167476 A1 8/2004 Westbye
 2004/0254539 A1 12/2004 Wolbring et al.
 2013/0178737 A1 7/2013 Anelli et al.

OTHER PUBLICATIONS

Notice of Allowance dated Mar. 9, 2017 in U.S. Appl. No. 29/534,399, by Davis.
 Office Action dated Oct. 6, 2016 in U.S. Appl. No. 29/534,399 by Davis.

* cited by examiner

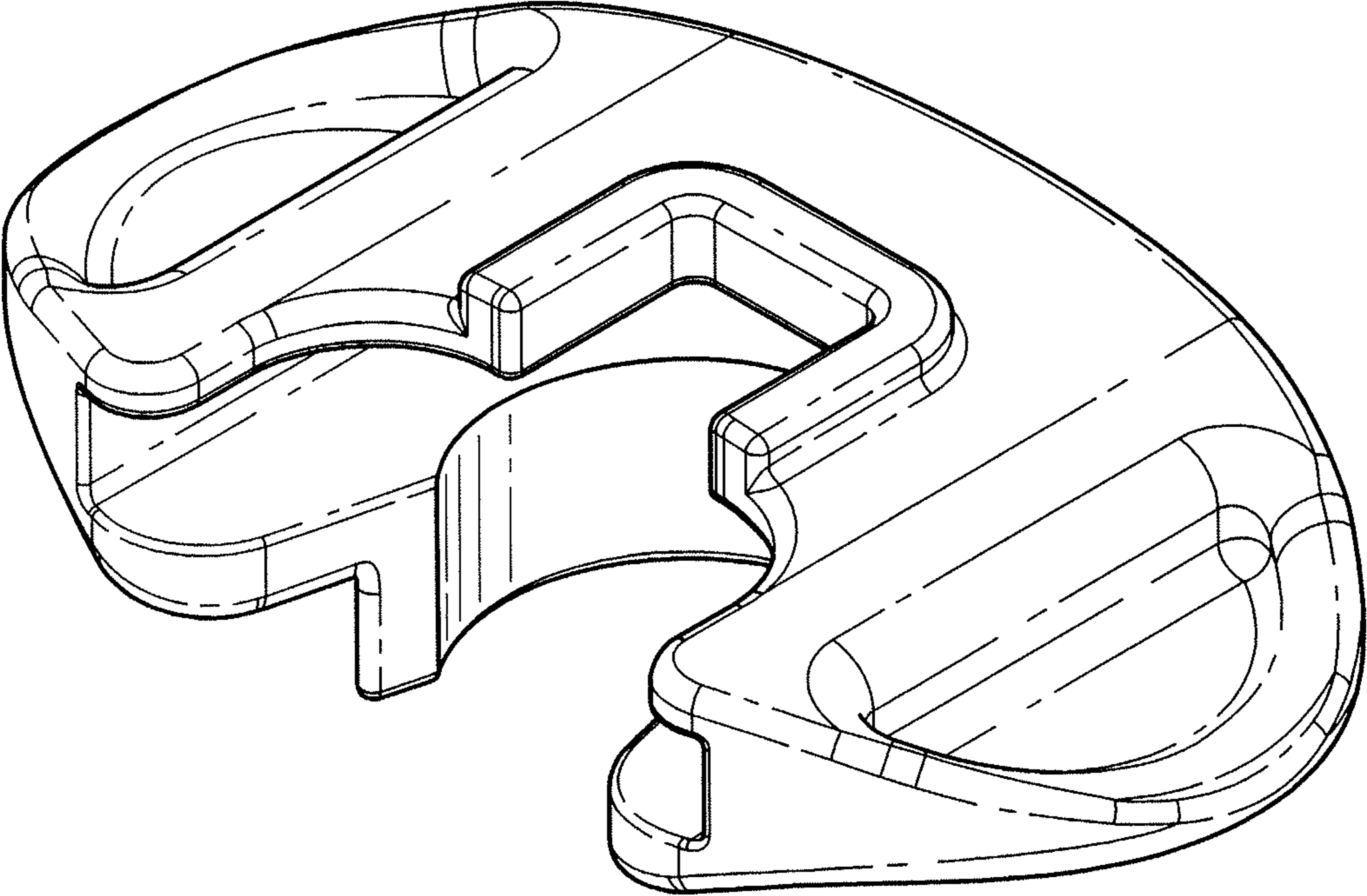


FIG. 1

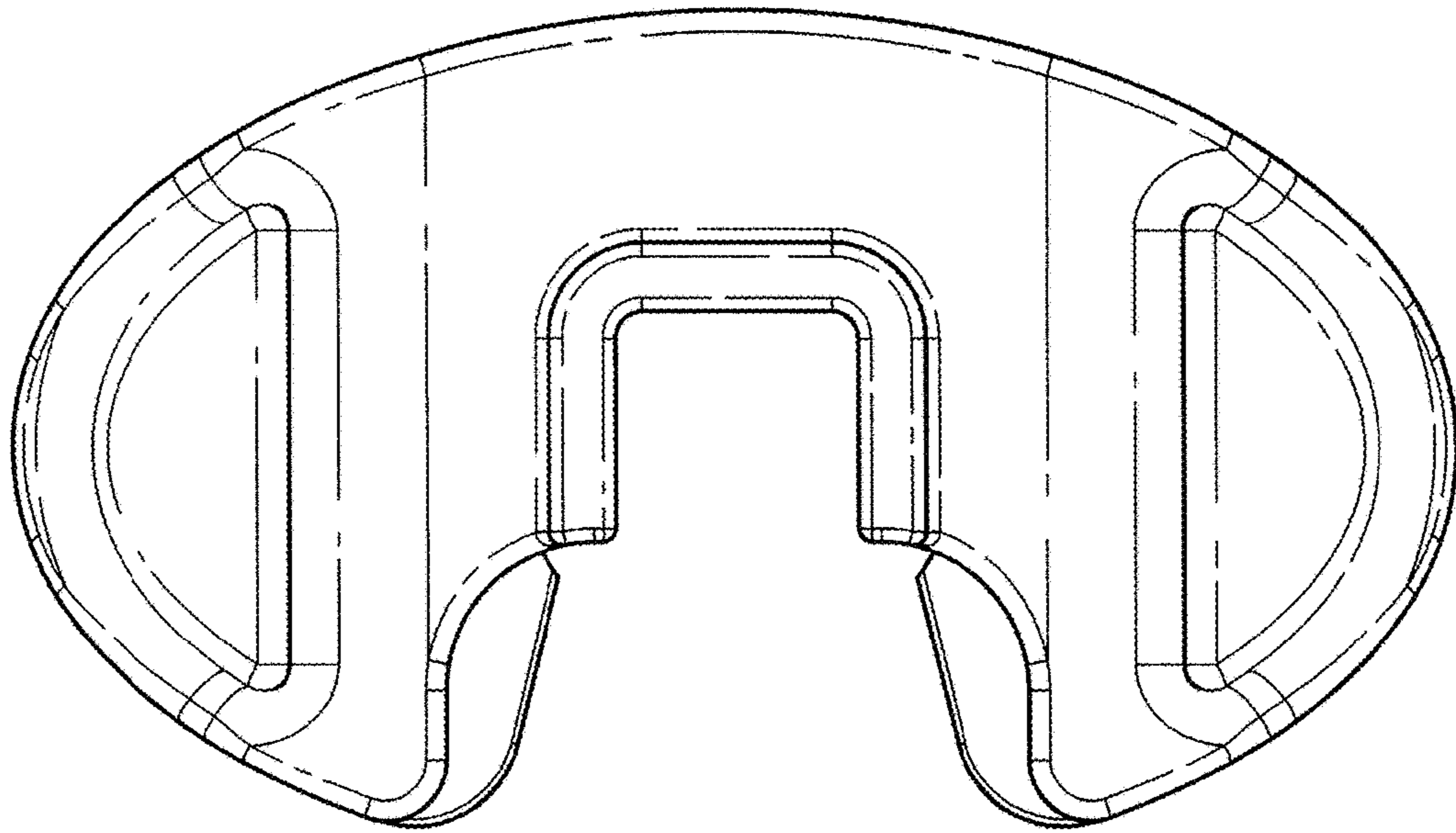


FIG. 2

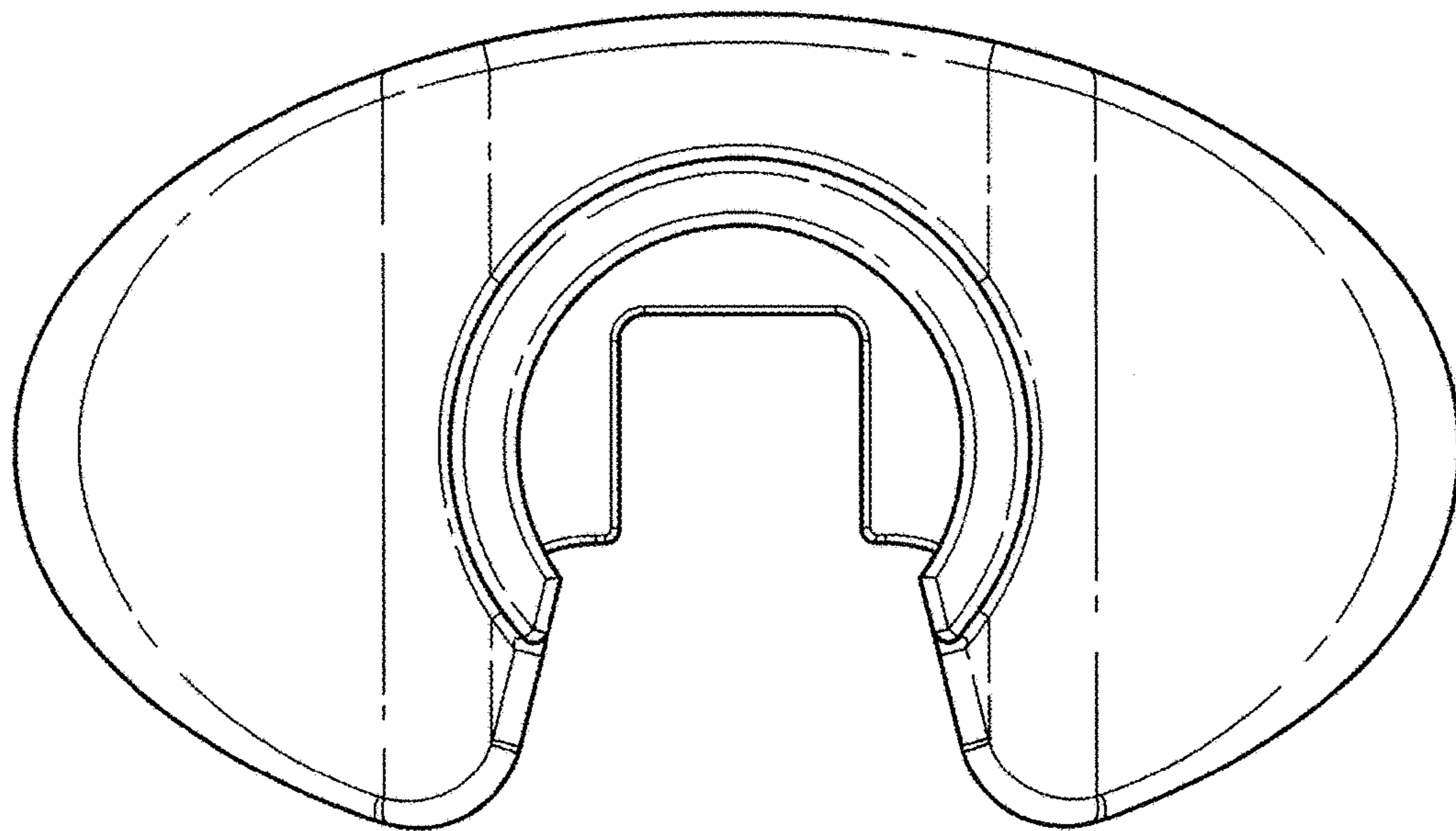


FIG. 3

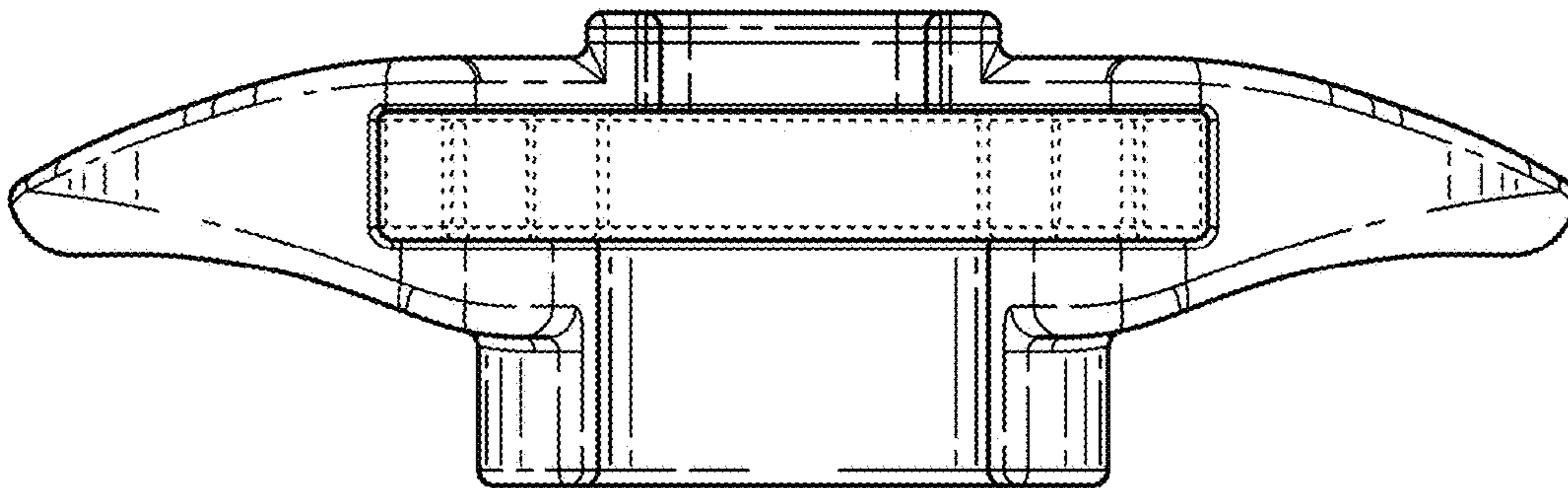


FIG. 4

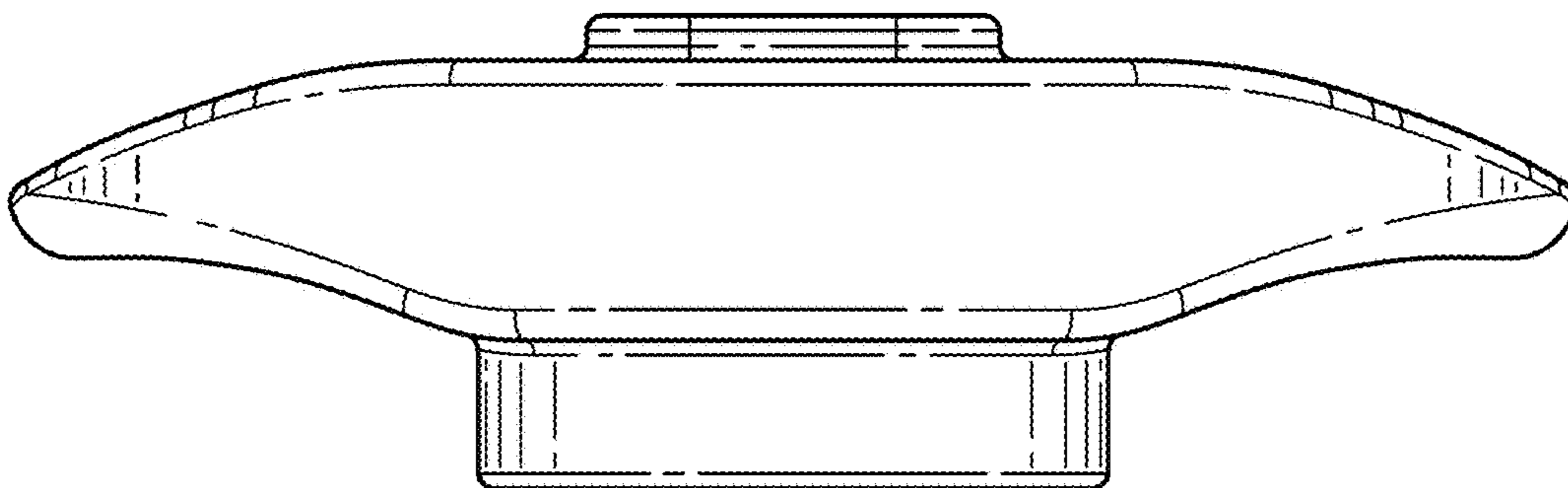


FIG. 5

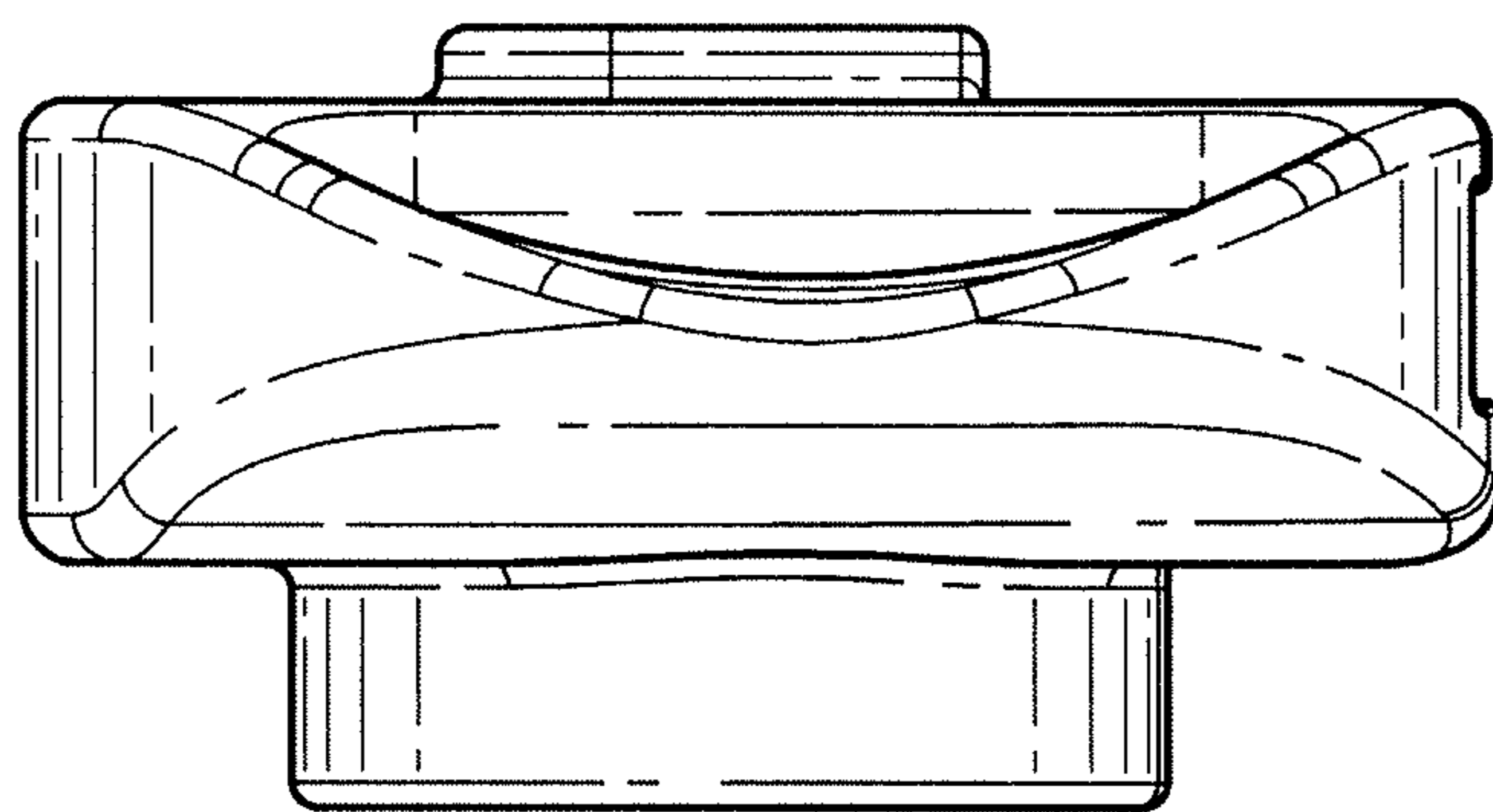


FIG. 6

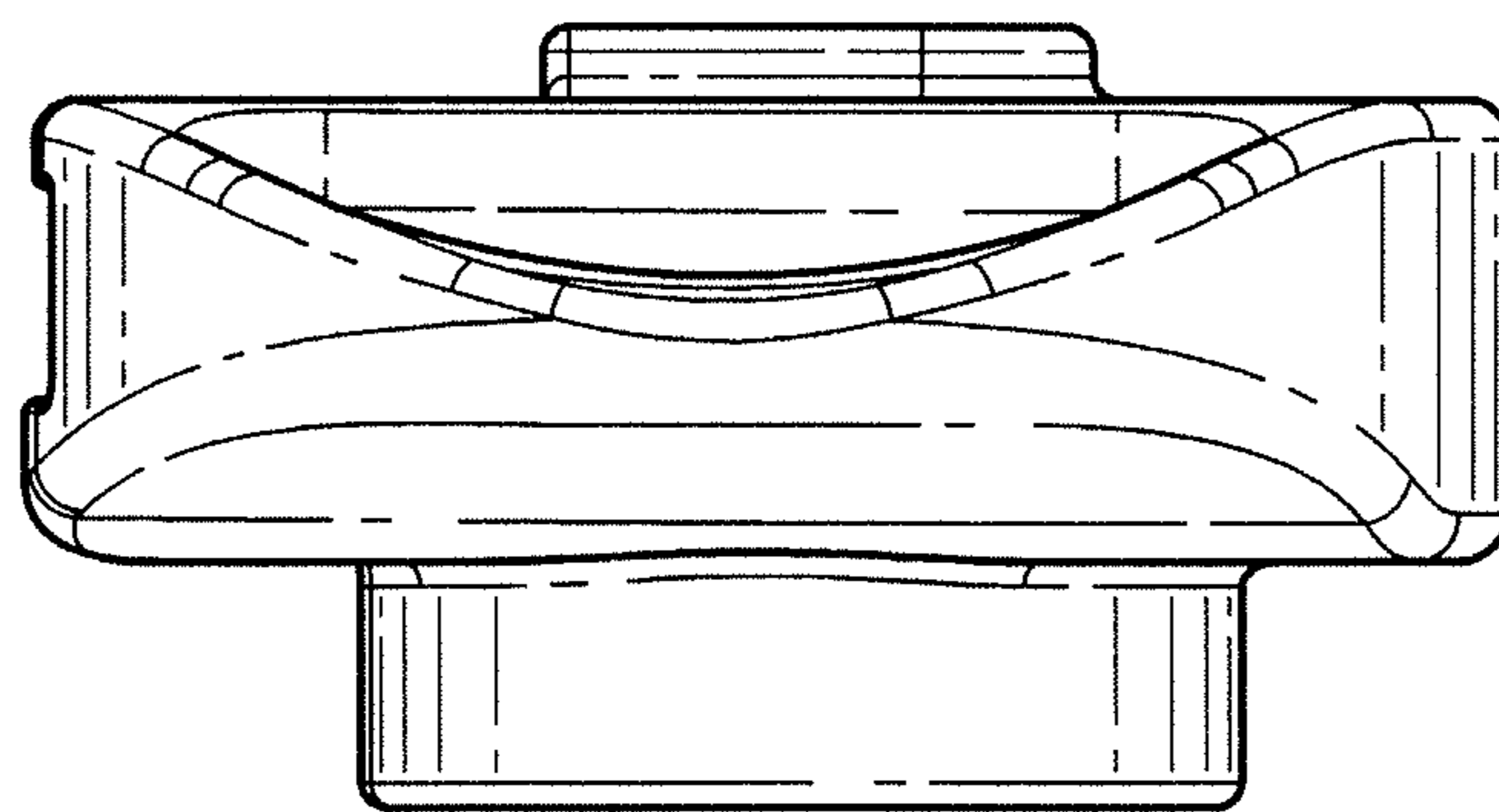


FIG. 7