



US00D812221S

(12) **United States Design Patent** (10) **Patent No.:** **US D812,221 S**
Stonig (45) **Date of Patent:** **** Mar. 6, 2018**

(54) **BREAKER FOR FRANGIBLE COMPONENT**

FOREIGN PATENT DOCUMENTS

(71) Applicant: **Fenwal, Inc.**, Lake Zurich, IL (US)

WO WO 1999/44652 9/1999

(72) Inventor: **Christian Stonig**, Vienna (AT)

WO WO 2004/058046 A2 7/2004

(Continued)

(73) Assignee: **Fenwal, Inc.**, Lake Zurich, IL (US)

OTHER PUBLICATIONS

(**) Term: **15 Years**

Youtube video—<https://www.youtube.com/watch?v=7u677isN1Og>
and screen shots from 1:10 through 1:20.

(21) Appl. No.: **29/570,071**

(Continued)

(22) Filed: **Jul. 5, 2016**

Primary Examiner — David G Muller

Assistant Examiner — Nathan M Johnston

(74) *Attorney, Agent, or Firm* — Becker Patent Law, LLC

Related U.S. Application Data

(63) Continuation-in-part of application No. 29/450,129,
filed on Mar. 15, 2013, now Pat. No. Des. 764,053.

(51) **LOC (11) Cl.** **24-01**

(52) **U.S. Cl.**

USPC **D24/127**

(58) **Field of Classification Search**

USPC D24/127–131, 112–114, 133, 186;
606/181, 185; 604/264, 272, 115, 232,
604/187, 158, 164.08, 192, 263, 163, 181,
604/184, 198, 227; 600/101, 139, 143;
128/200.24, 207.14, 207.15; D23/216

CPC G01N 35/1002; Y10T 436/25
See application file for complete search history.

(57) **CLAIM**

We claim the ornamental design for a breaker for frangible
component, as shown and described.

DESCRIPTION

FIG. 1 is a top perspective view of a breaker for frangible
component showing our new design;
FIG. 2 is a front elevation view thereof;
FIG. 3 is a back elevation view thereof;
FIG. 4 is a right-side elevation view thereof;
FIG. 5 is left-side elevation view thereof;
FIG. 6 is a top plan view thereof; and,
FIG. 7 is a bottom plan view thereof.

The ornamental design which is claimed is shown in solid
lines in the drawings. The dash dot lines immediately
adjacent to the claimed area represent the boundaries of the
claimed design. The dashed lines in the figures illustrate the
portions of the design that form no part of the claimed
design. None of the broken lines form any part of the
claimed design.

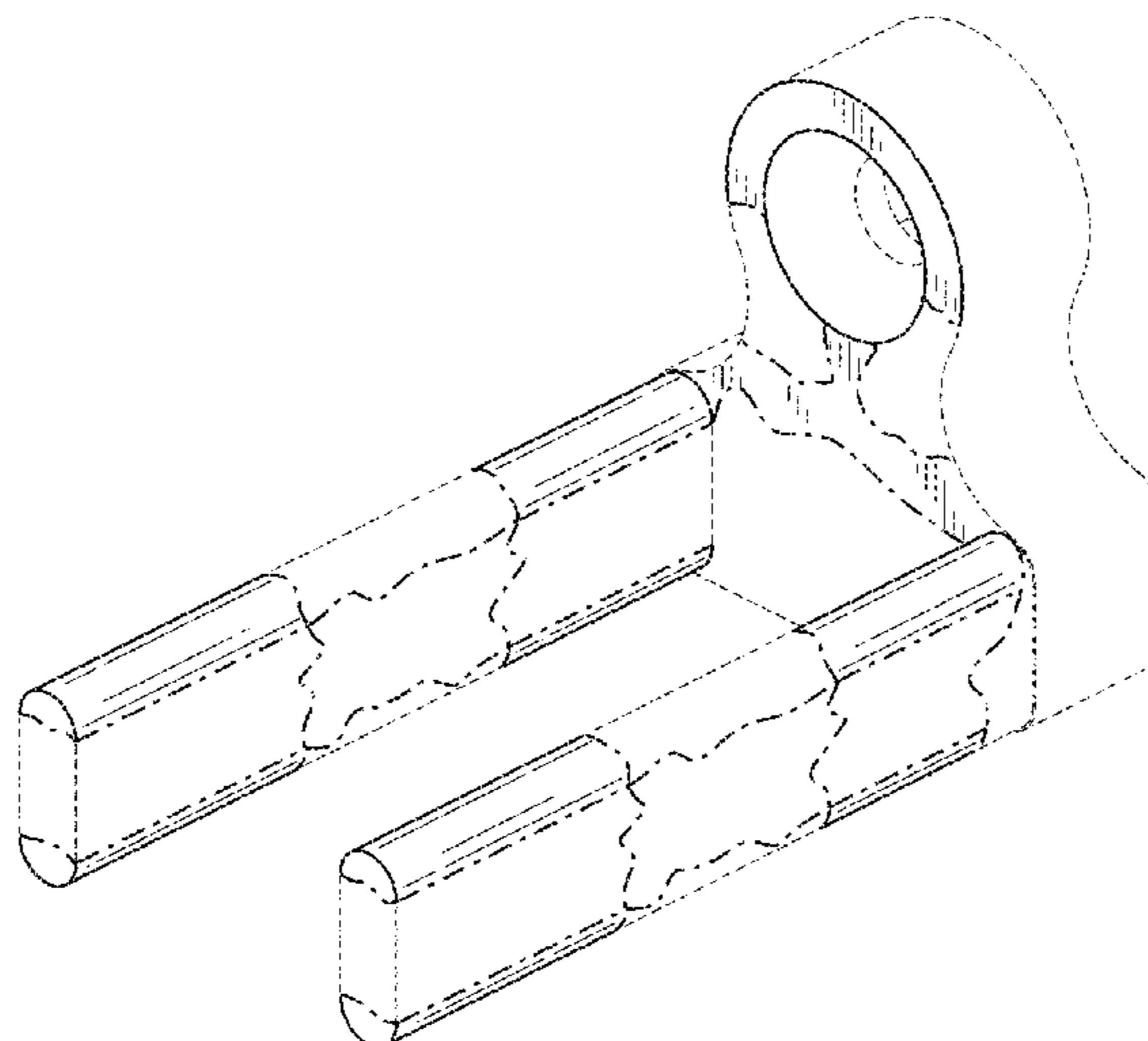
(56) **References Cited**

U.S. PATENT DOCUMENTS

2,659,253	A	12/1949	Myrick	
3,266,287	A	8/1966	Gill	
4,181,140	A	1/1980	Bayham et al.	
4,294,247	A	10/1981	Carter et al.	
4,340,049	A	7/1982	Munsch	
D269,367	S	6/1983	Mackay et al.	
4,386,622	A	6/1983	Munsch	
4,484,915	A	11/1984	Tartaglia	
4,586,928	A	5/1986	Barnes et al.	
D294,635	S	3/1988	Hattori	
D321,034	S	* 10/1991	Whitehead D23/216

(Continued)

1 Claim, 4 Drawing Sheets



(56)

References Cited

U.S. PATENT DOCUMENTS

D321,396 S 11/1991 Whitehead
 D351,214 S * 10/1994 Clivio D23/214
 5,427,145 A 6/1995 Grabenkort
 5,582,595 A 12/1996 Haber et al.
 D387,127 S 12/1997 Guo
 5,824,216 A 10/1998 Joie et al.
 6,132,413 A 10/2000 Mathias et al.
 6,156,025 A 12/2000 Niedospial, Jr. et al.
 6,409,032 B1 6/2002 Bekkers et al.
 6,470,780 B1 10/2002 Benuzzi
 D466,974 S * 12/2002 Kuo D23/216
 6,719,735 B1 4/2004 Gammon
 D500,122 S 12/2004 Schaper
 D540,429 S * 4/2007 Barmore D23/221
 D554,737 S * 11/2007 Lo D23/221
 D554,739 S * 11/2007 Lo D23/221
 D555,228 S 11/2007 Cheng
 D597,628 S * 8/2009 Goetz D23/221
 D599,882 S * 9/2009 Cheng D23/221
 D613,371 S * 4/2010 Nies D23/216
 D618,307 S * 6/2010 Nies D23/216
 D618,308 S 6/2010 Nies et al.
 8,162,013 B2 4/2012 Rosenquist et al.
 D781,399 S * 3/2017 Koiwa D23/214
 2001/0039404 A1 11/2001 Rolle
 2003/0167893 A1 9/2003 Morris et al.

2009/0227961 A1 9/2009 Meisberger et al.
 2009/0254042 A1 10/2009 Gratwohl et al.
 2010/0132512 A1 6/2010 Bucciaglia et al.
 2010/0269584 A1 10/2010 Horst
 2011/0198350 A1 8/2011 Meisberger et al.
 2013/0218120 A1* 8/2013 Rosenquist A61J 1/2096
 604/403
 2013/0340836 A1 12/2013 Wambold
 2016/0135841 A1* 5/2016 Albert A61M 25/0606
 604/263

FOREIGN PATENT DOCUMENTS

WO WO 2006/114319 11/2006
 WO WO 2010/040521 4/2010
 WO WO 2010/065396 A1 6/2010
 WO WO 2012/080664 6/2012
 WO WO 2012/177158 12/2012
 WO WO 2014/083412 6/2014

OTHER PUBLICATIONS

European Search Report dated Mar. 4, 2014, for Application No. EP 13192157.9.
<http://www.lmb.de/html/luxomatic.html>, printed Jun. 24, 2013 and the linked video available at <http://www.lmb.de/LUXOmatic.avi>, especially at seconds 45-50.

* cited by examiner

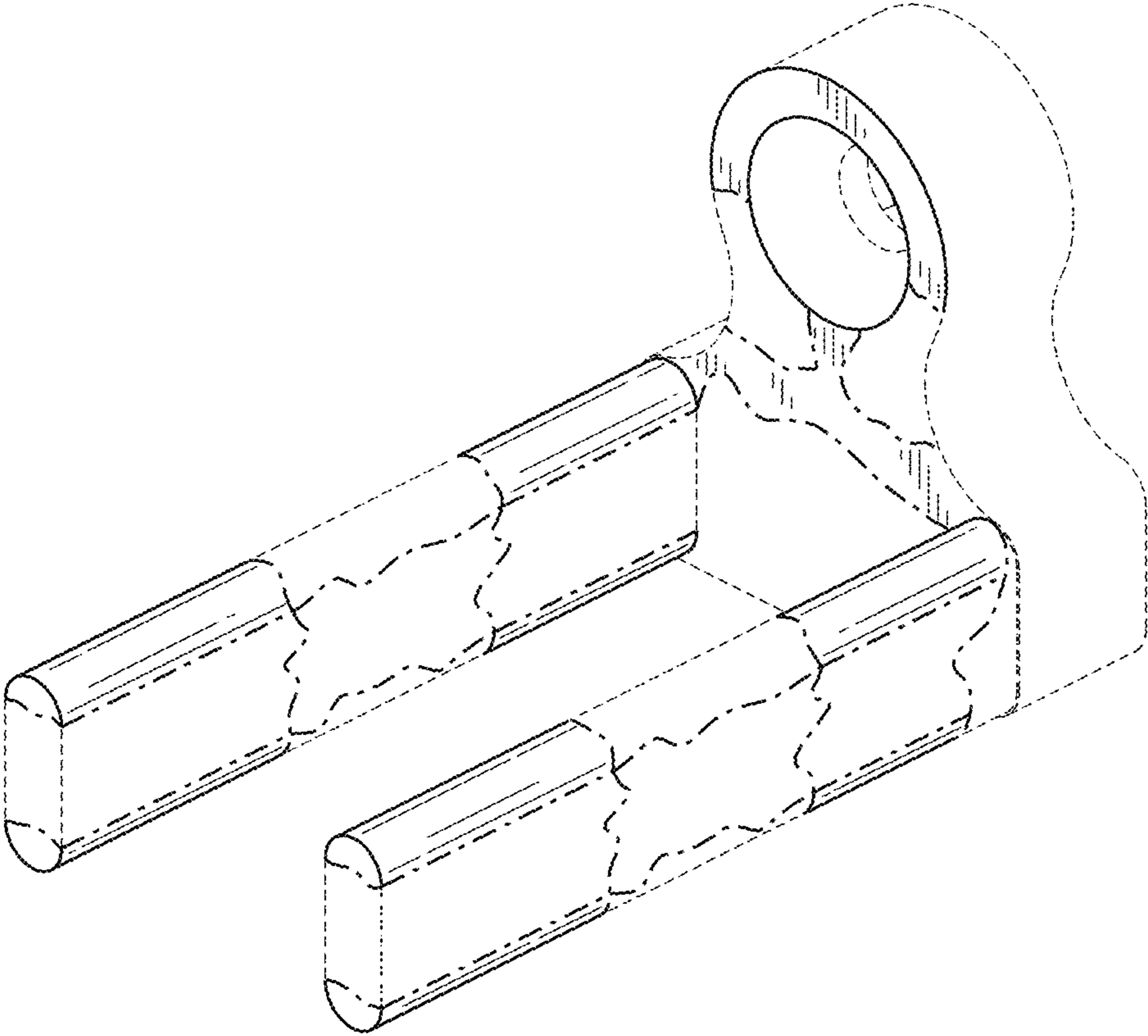


FIG. 1

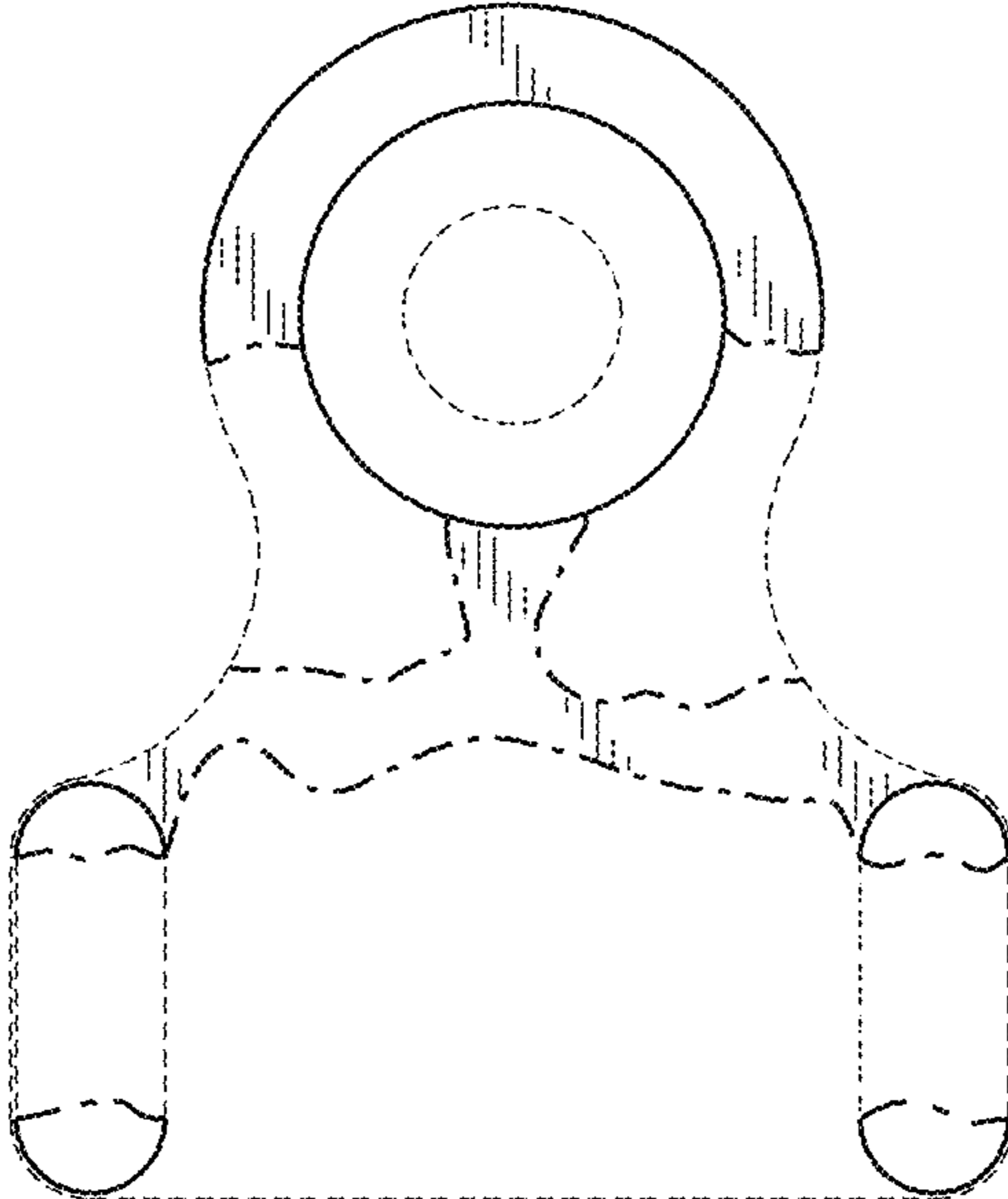


FIG. 2

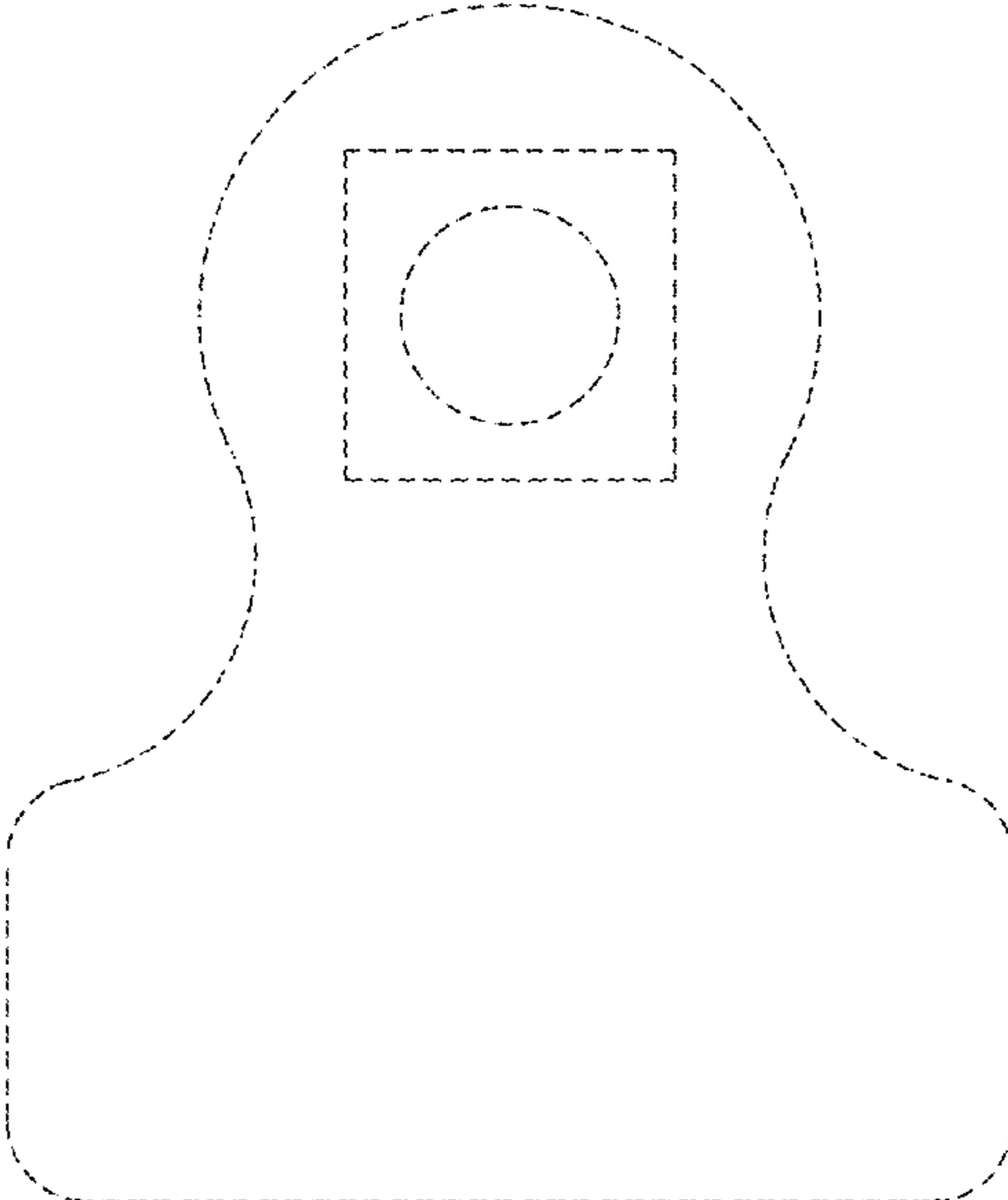


FIG. 3

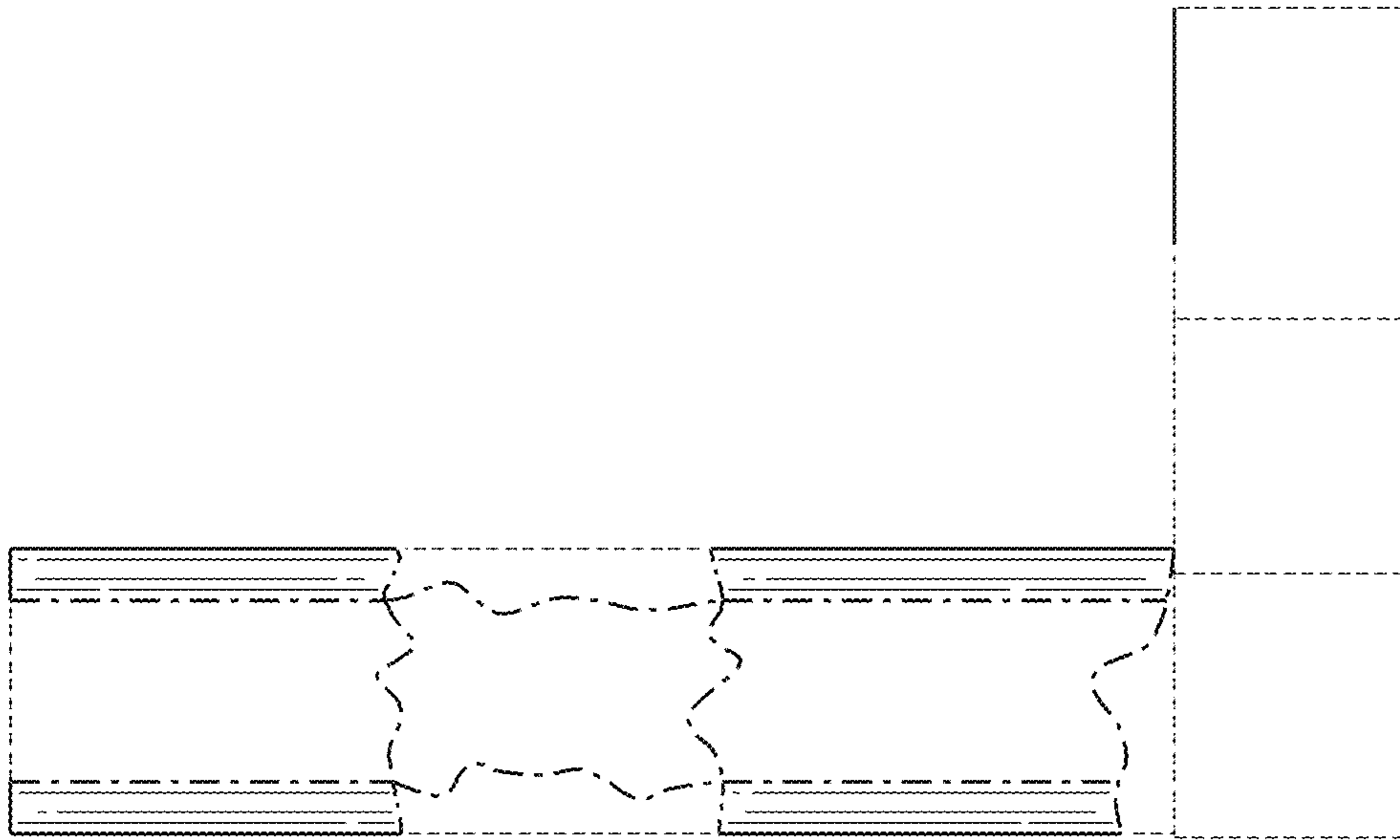


FIG. 4

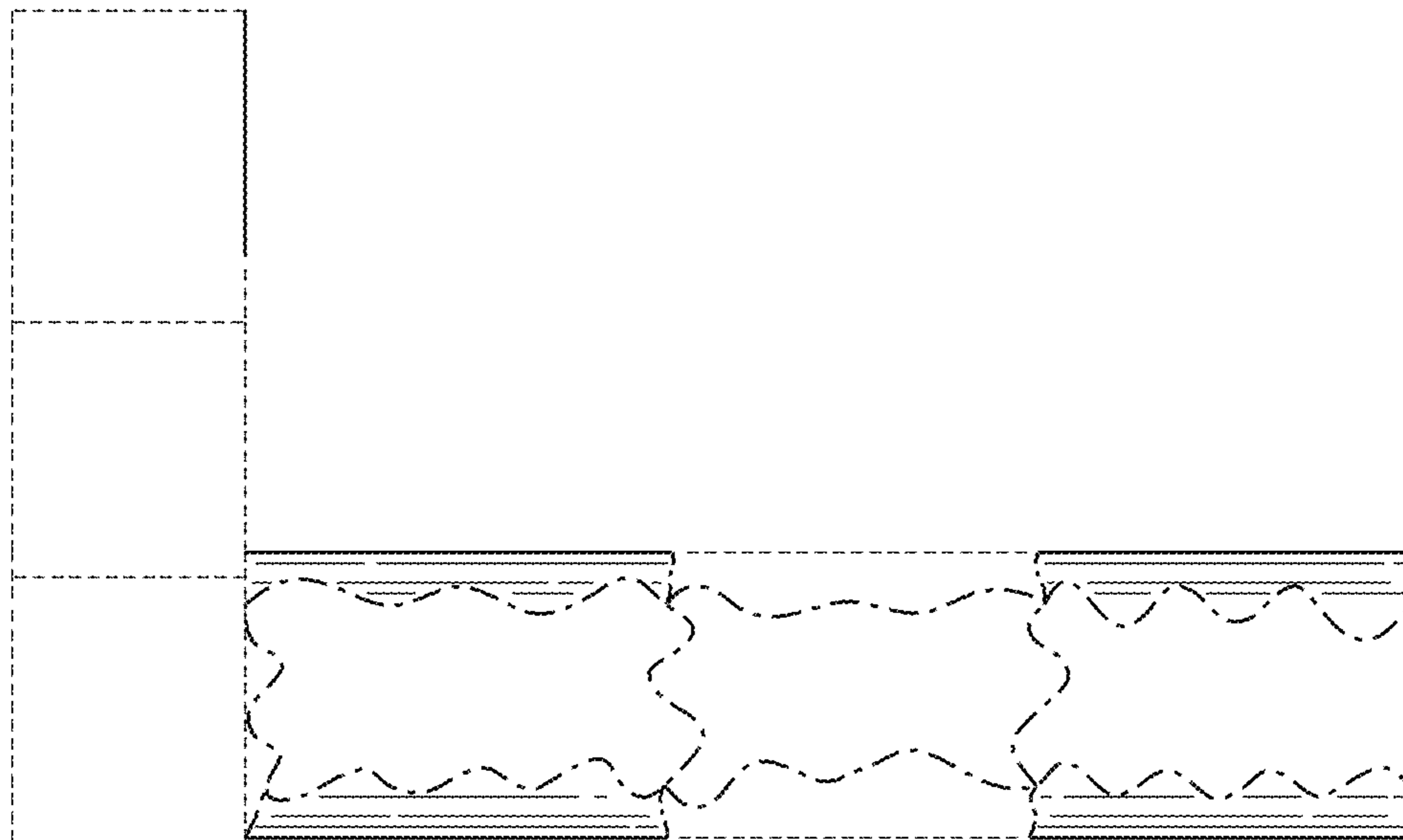


FIG. 5

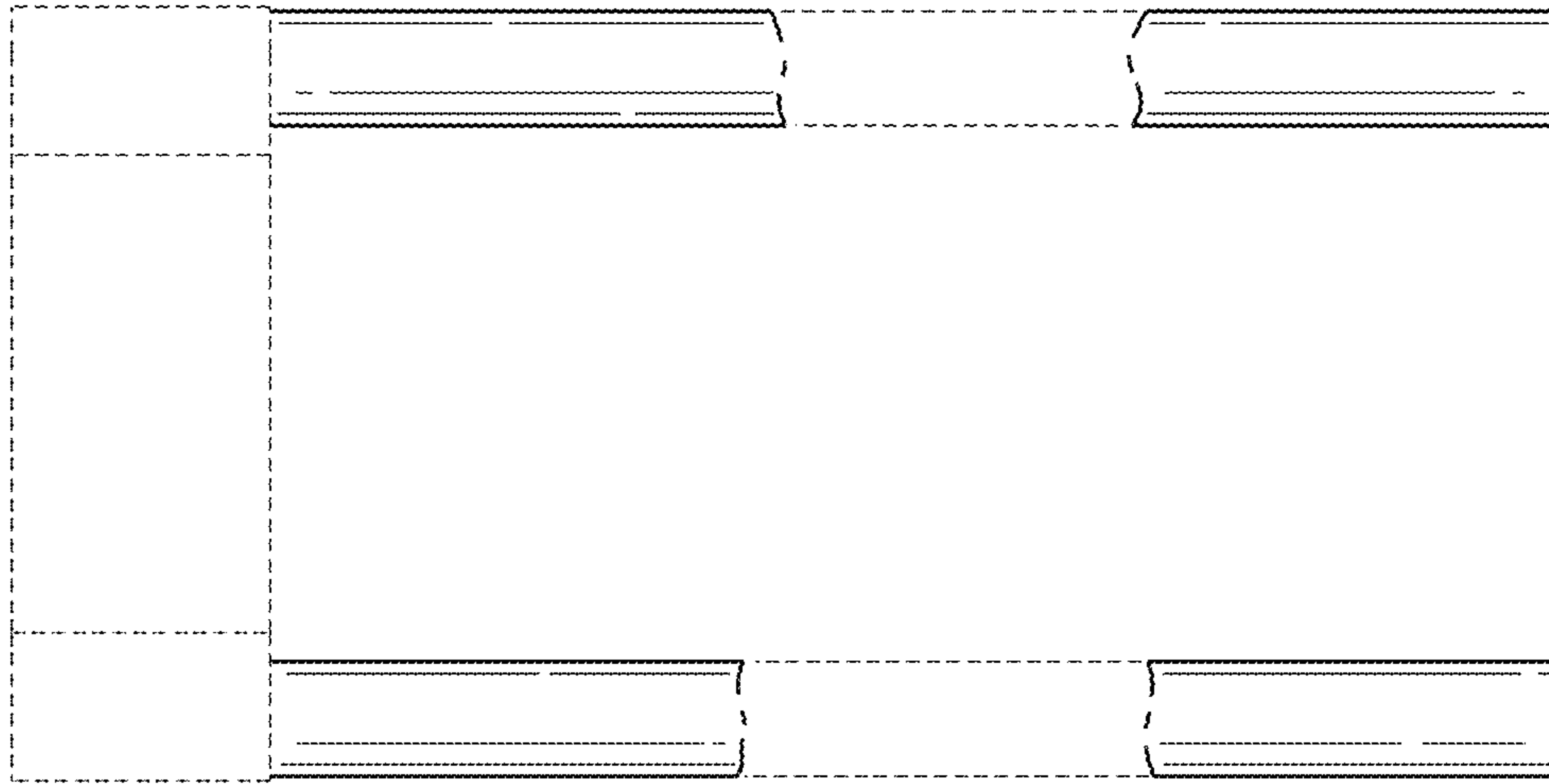


FIG. 6

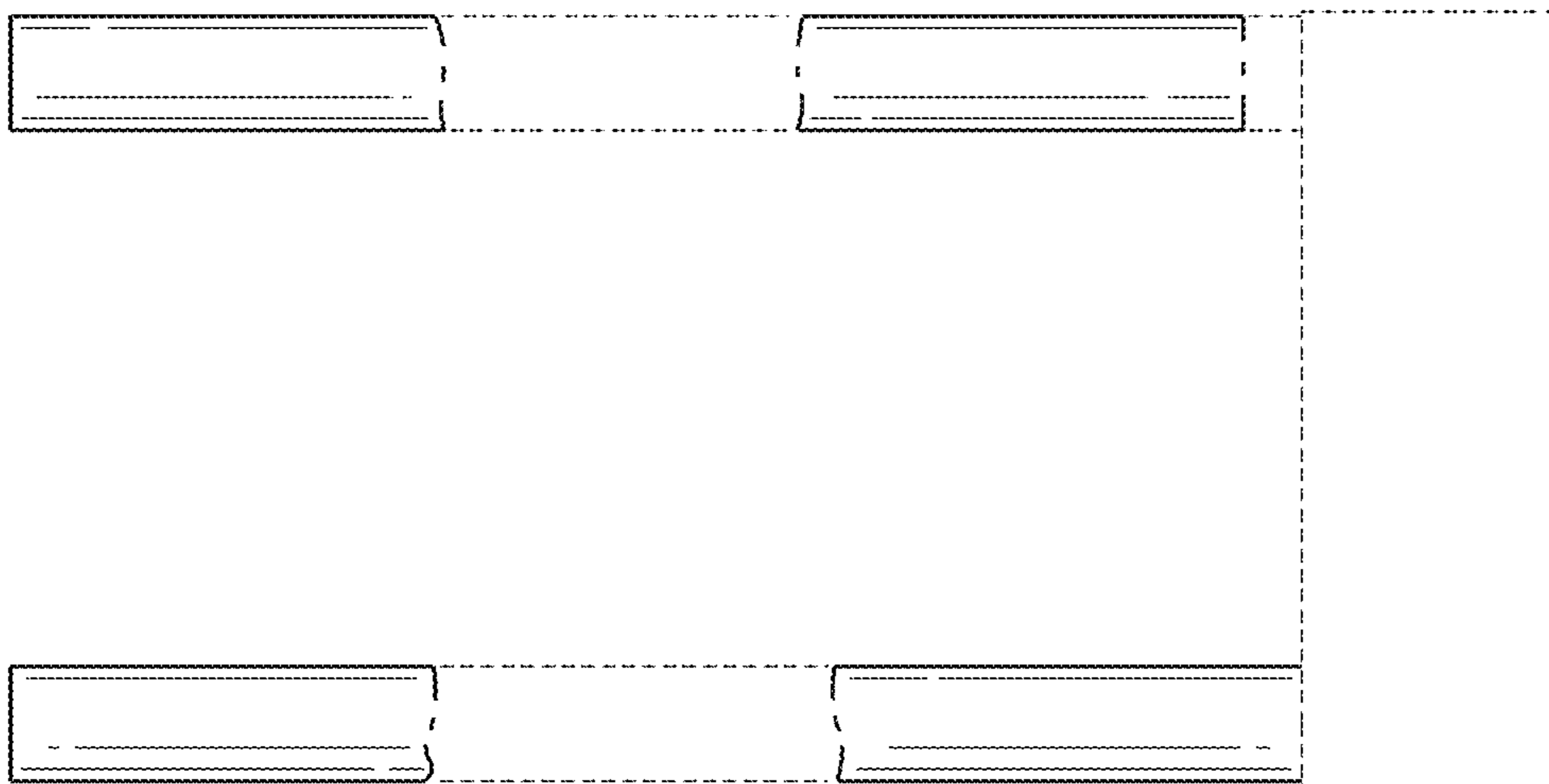


FIG. 7