



US00D812220S

(12) **United States Design Patent**  
**Bainton et al.**

(10) **Patent No.:** **US D812,220 S**  
(45) **Date of Patent:** **\*\* Mar. 6, 2018**

(54) **INJECTION DEVICE**

(71) Applicant: **SANOFI S.A.**, Paris (FR)

(72) Inventors: **Mike Cameron Bainton**, Warwickshire (GB); **Robert F. Veasey**, Warwickshire (GB)

(\*\*) Term: **14 Years**

(21) Appl. No.: **29/522,157**

(22) Filed: **Mar. 27, 2015**

(30) **Foreign Application Priority Data**

Oct. 1, 2014 (EM) ..... 002548842

(51) **LOC (11) Cl.** ..... **24-02**

(52) **U.S. Cl.**  
USPC ..... **D24/113**

(58) **Field of Classification Search**  
USPC ..... D24/127-131, 112-114, 133, 186;  
606/181, 185; 604/264, 523-528, 272,  
604/187, 158, 164.01-164.11, 181, 184,  
604/227; 600/101, 139, 143;  
128/200.24, 207.14, 207.15  
CPC ..... A61M 5/178; A61M 5/20; A61M 5/31;  
A61M 5/3129

See application file for complete search history.

(56) **References Cited**

**U.S. PATENT DOCUMENTS**

D365,881 S \* 1/1996 Tiefenthal ..... D24/158  
D371,605 S \* 7/1996 Wong ..... D24/169

D393,271 S \* 4/1998 Conner ..... D16/130  
D439,657 S \* 3/2001 Bridle ..... D24/113  
D440,309 S \* 4/2001 Whiteside ..... D24/131  
D447,282 S \* 8/2001 Yiu ..... D24/133  
6,379,339 B1 \* 4/2002 Klitgaard ..... A61M 5/3129  
604/207  
D623,740 S \* 9/2010 Harris ..... D24/133  
D633,201 S \* 2/2011 Lee ..... D24/129  
D676,549 S \* 2/2013 Lovell ..... D24/113  
8,394,117 B2 \* 3/2013 Hein ..... A61B 5/150022  
606/181  
D681,195 S \* 4/2013 Skulley ..... D24/113  
D725,261 S \* 3/2015 Barrett ..... D24/129

\* cited by examiner

*Primary Examiner* — David G Muller

(74) *Attorney, Agent, or Firm* — McDonnell Boehnen Hulbert & Berghoff LLP

(57) **CLAIM**

The ornamental design for the injection device, as shown and described.

**DESCRIPTION**

FIG. 1 is a perspective view of the injection device of our new design;

FIG. 2 is a front view thereof;

FIG. 3 is a rear view thereof;

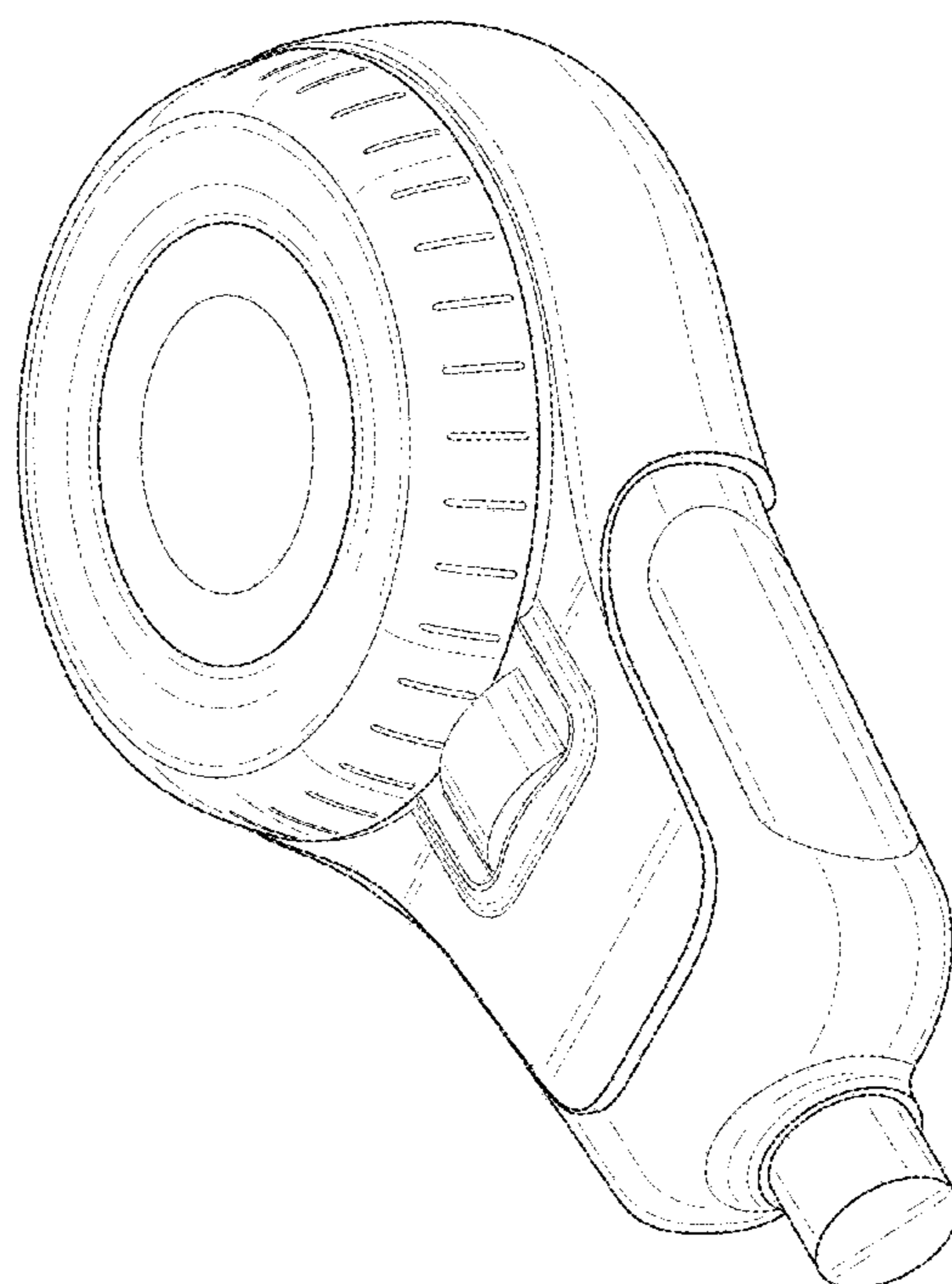
FIG. 4 is a left side thereof;

FIG. 5 is a right side thereof;

FIG. 6 is a top view thereof; and,

FIG. 7 is a bottom view thereof.

**1 Claim, 7 Drawing Sheets**



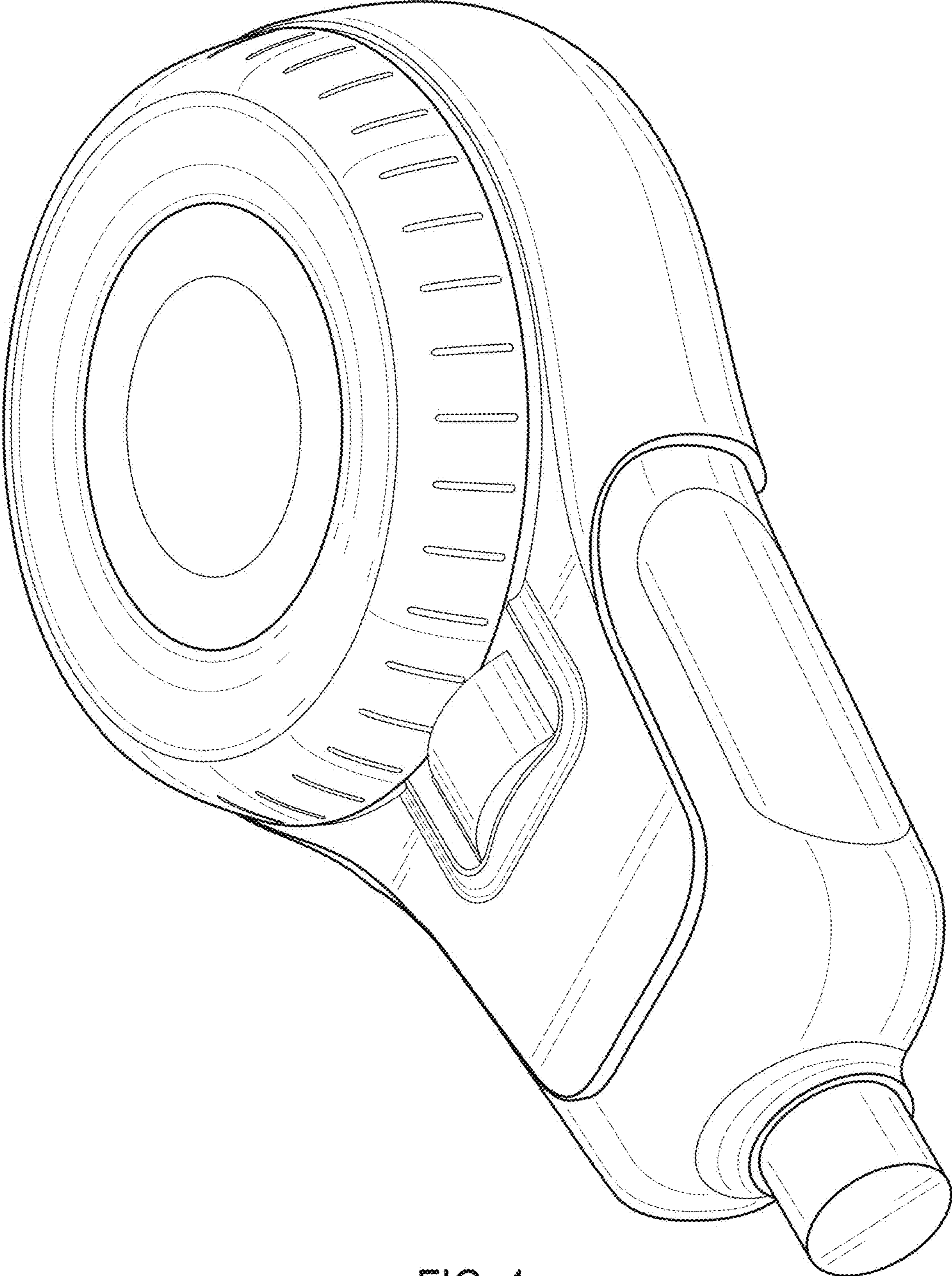


FIG. 1

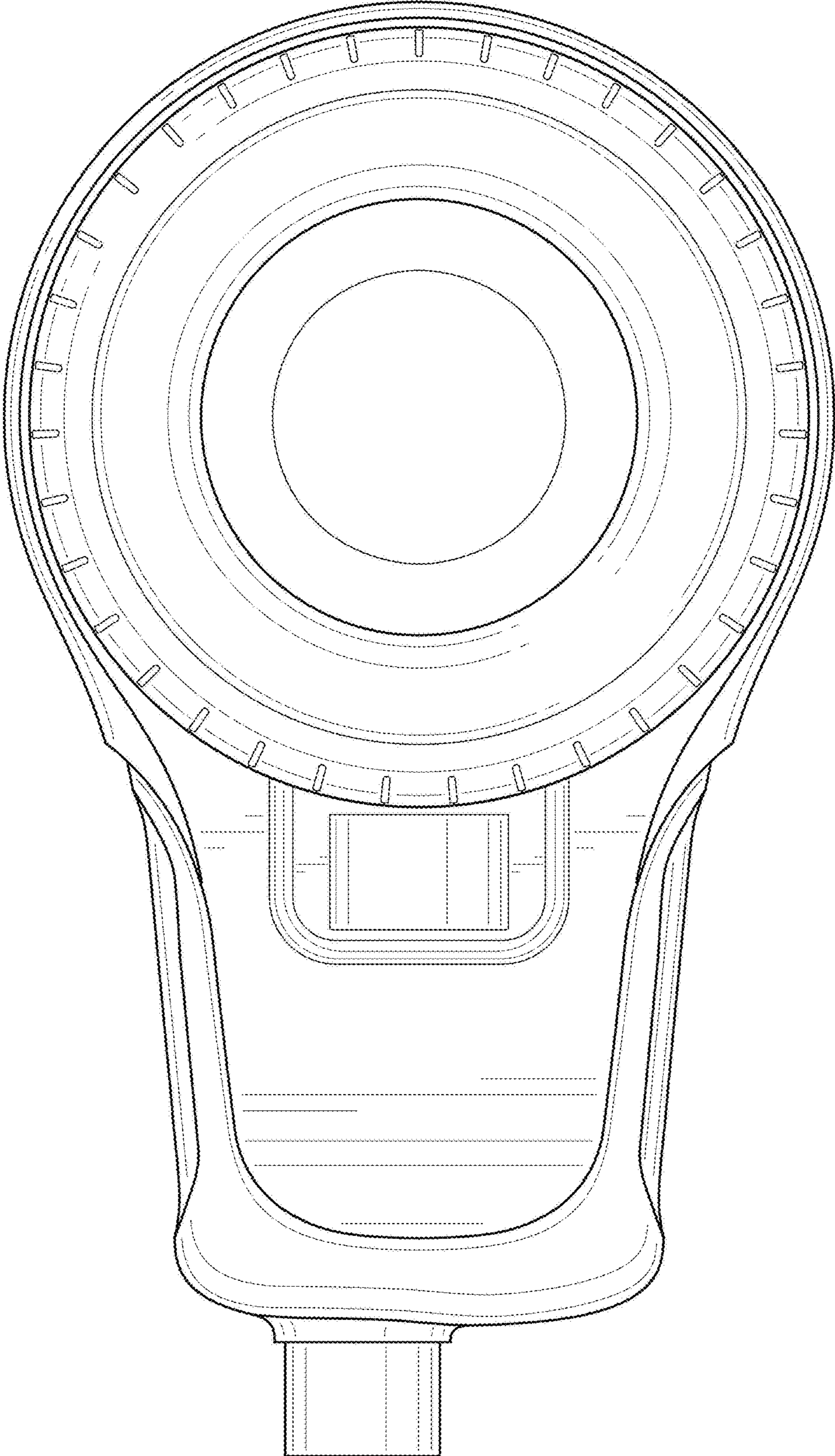


FIG. 2



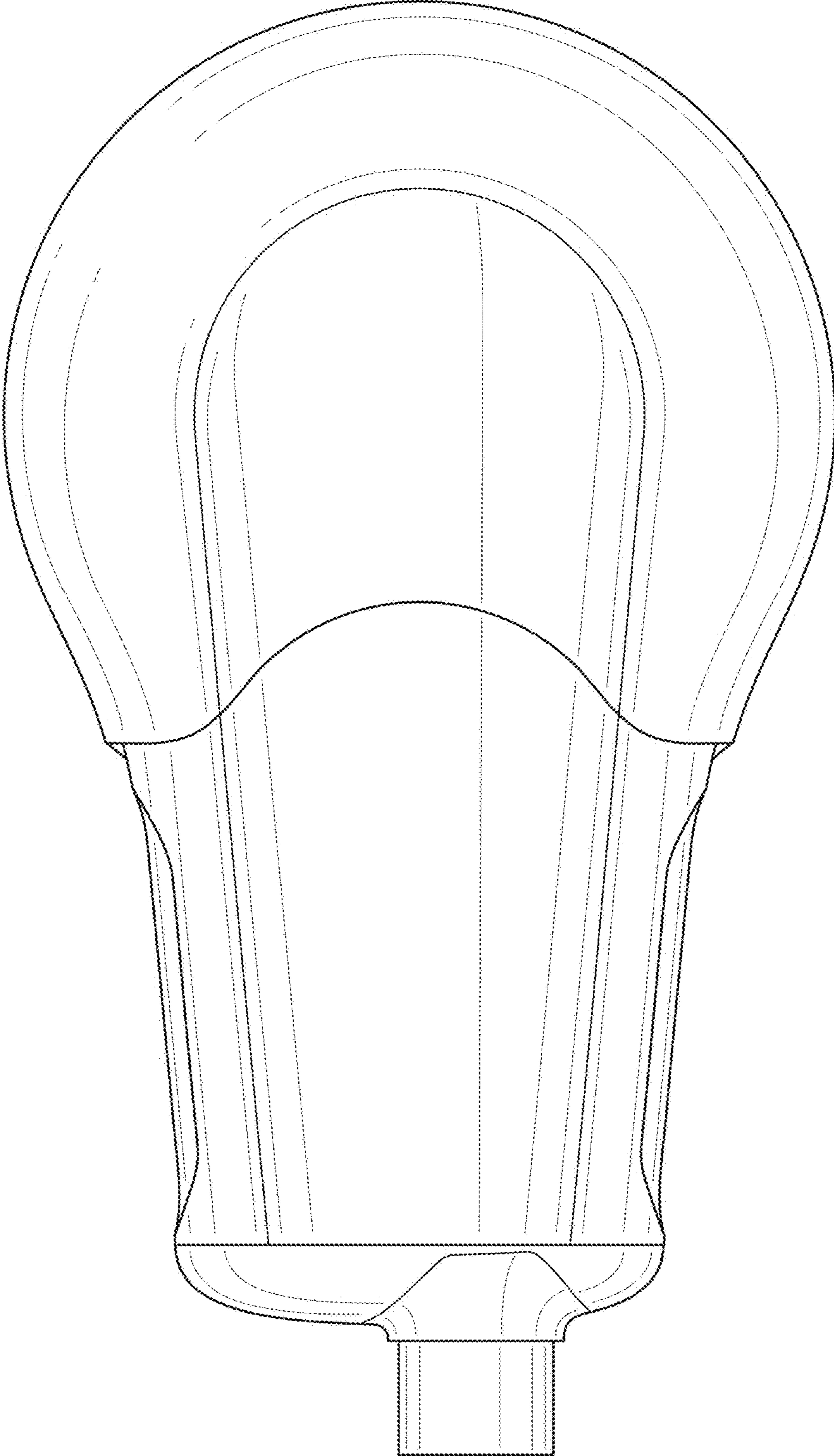


FIG. 3

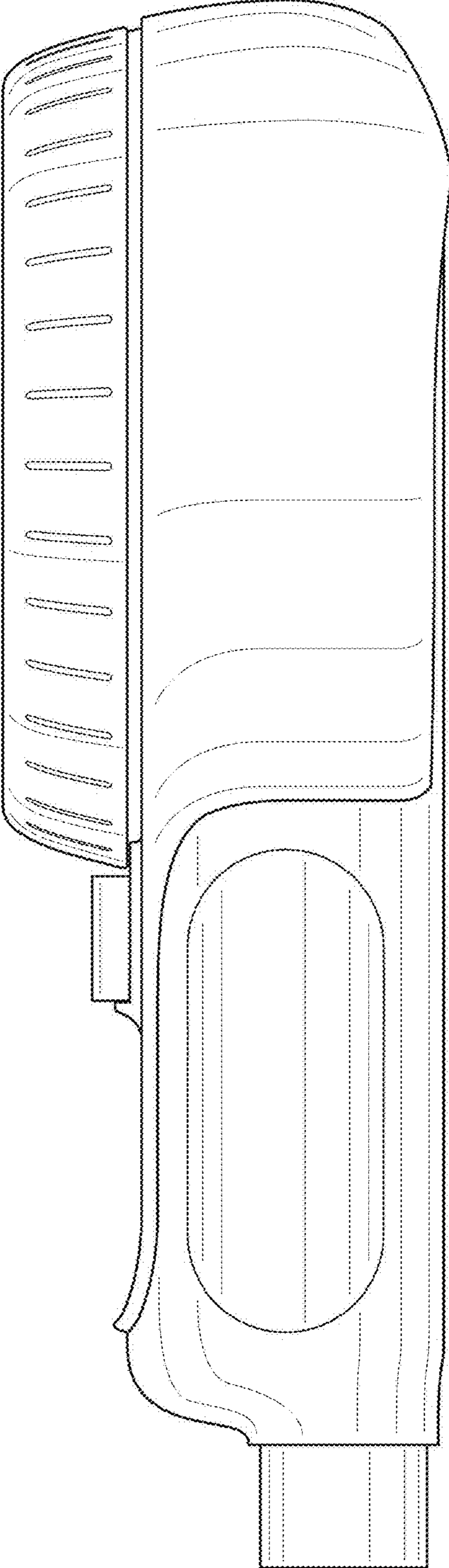
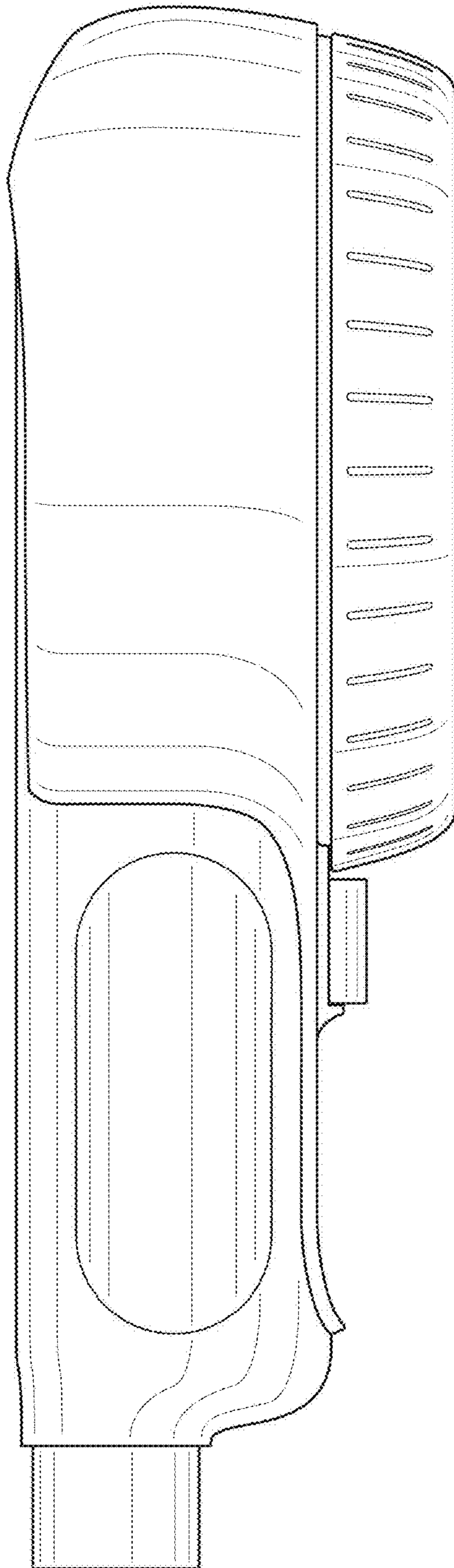


FIG. 4

FIG. 5



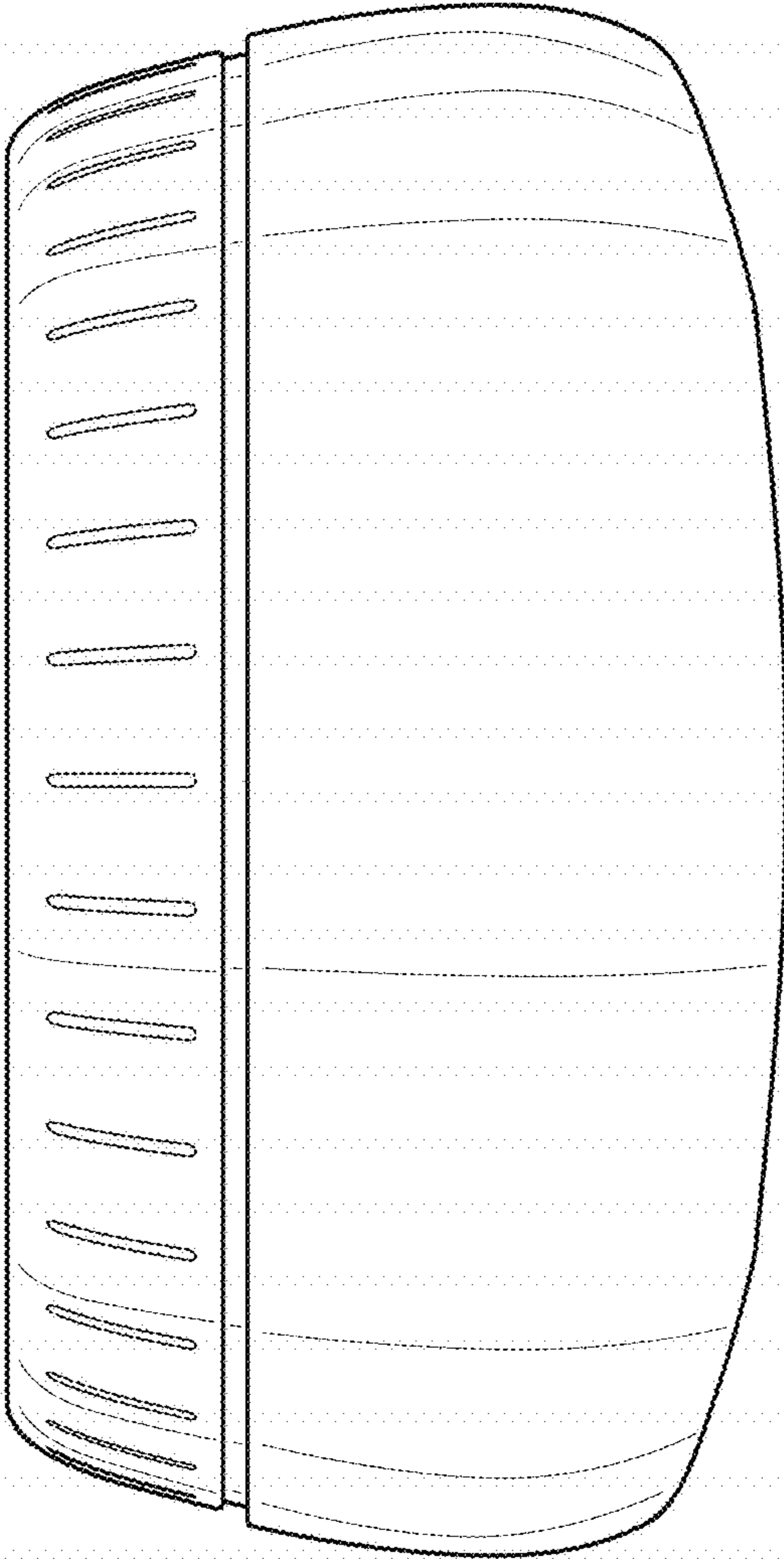


FIG. 6

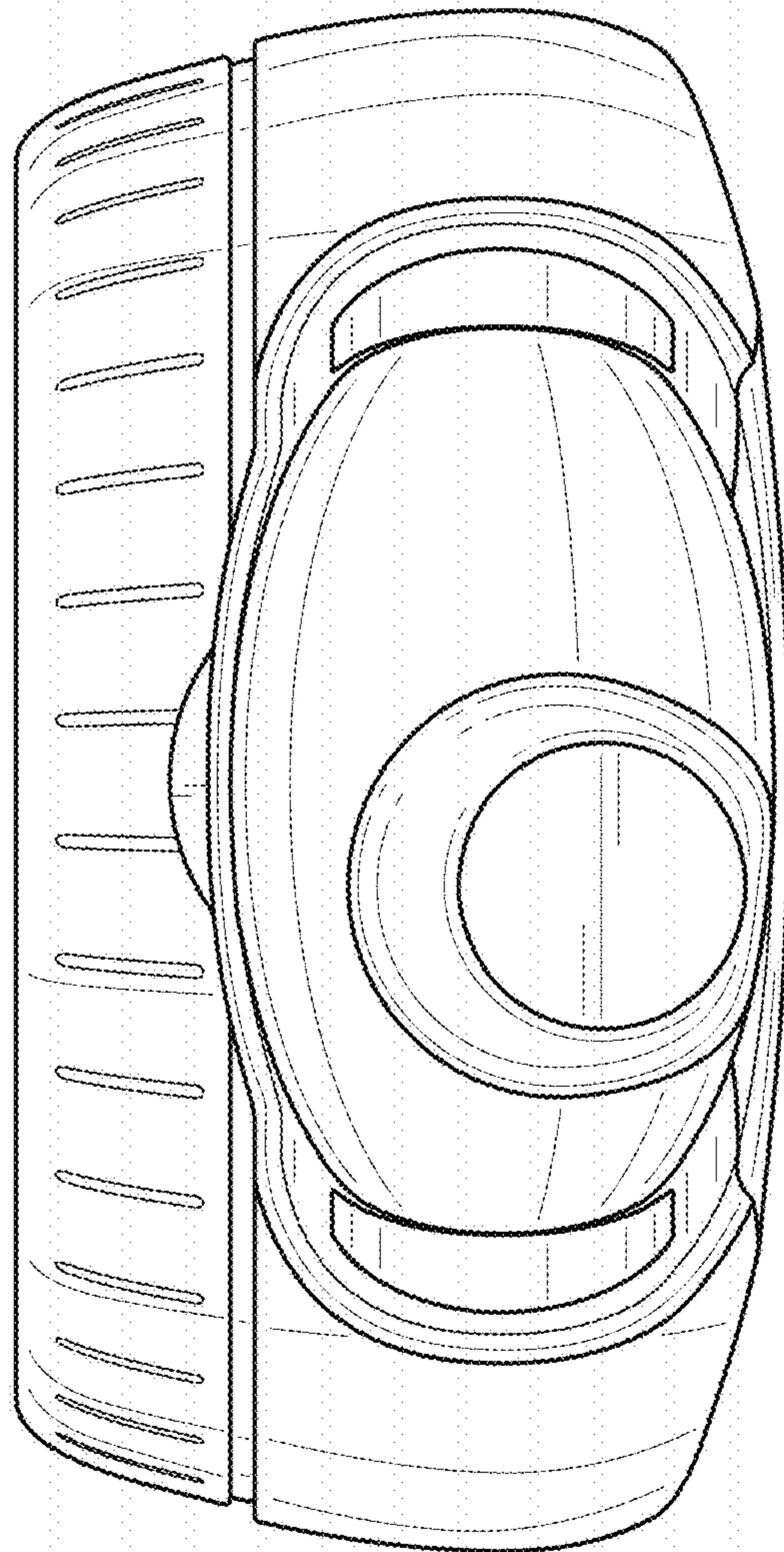


FIG. 7