



US00D812218S

(12) **United States Design Patent**
Lacy et al.

(10) **Patent No.:** **US D812,218 S**
(45) **Date of Patent:** **** Mar. 6, 2018**

(54) **LARGE VOLUME PUMP**

A61M 5/142; A61F 2002/9517; F04B
43/082; F04B 43/1223

(71) Applicant: **Smiths Medical ASD, Inc.**, Plymouth,
MN (US)

See application file for complete search history.

(72) Inventors: **Christopher Lacy**, Arden Hills, MN
(US); **Harshad Borgaonkar**,
Shoreview, MN (US); **Jonathan**
Sanborn, Saint Louis Park, MN (US);
Grant Adams, Anoka, MN (US);
James Drost, Woodbury, MN (US);
Kevin Krautbauer, Saint Paul, MN
(US); **Michael Acker**, Saint Paul, MN
(US); **Jennifer Tsai**, Stillwater, MN
(US)

(56) **References Cited**

U.S. PATENT DOCUMENTS

4,756,706	A *	7/1988	Kerns	A61M 5/1413
				128/DIG. 13
D328,952	S	8/1992	Arioka	
D344,684	S	3/1994	Metz et al.	
D348,101	S	6/1994	Poli et al.	
5,364,364	A *	11/1994	Kasvikis	A61M 5/14228
				137/556
D360,259	S	7/1995	Ijiri et al.	
D363,468	S	10/1995	Mieki et al.	
D367,527	S *	2/1996	Marston	D24/111
D390,654	S *	2/1998	Alsberg	D24/111
D435,021	S	12/2000	Davis et al.	

(Continued)

(73) Assignee: **Smiths Medical ASD, Inc.**, Plymouth,
MN (US)

FOREIGN PATENT DOCUMENTS

WO WO 2016/196098 A1 12/2016

Primary Examiner — Sheryl Lane

Assistant Examiner — Calvin E Vansant

(74) *Attorney, Agent, or Firm* — Patterson Thuent
Pedersen, P.A.

(**) Term: **15 Years**

(21) Appl. No.: **29/583,354**

(22) Filed: **Nov. 4, 2016**

(51) **LOC (11) Cl.** **24-02**

(52) **U.S. Cl.**
USPC **D24/111**

(58) **Field of Classification Search**
USPC D24/108, 111, 112, 114, 127, 128, 129,
D24/130, 133, 141, 146, 147, 152, 186,
D24/214, 215; D8/93, 97, 300, 310, 311;
D23/129, 223, 249, 259, 262; D16/202;
D14/171, 196; D15/7
CPC A61B 1/00094; A61M 2005/1583; A61M
2005/1586; A61M 2005/3277; A61M
5/158; A61M 5/1582; A61M 5/3243;
A61M 25/0606; A61M 25/0612; A61M
25/0631; A61M 25/0637; A61M 5/14228;

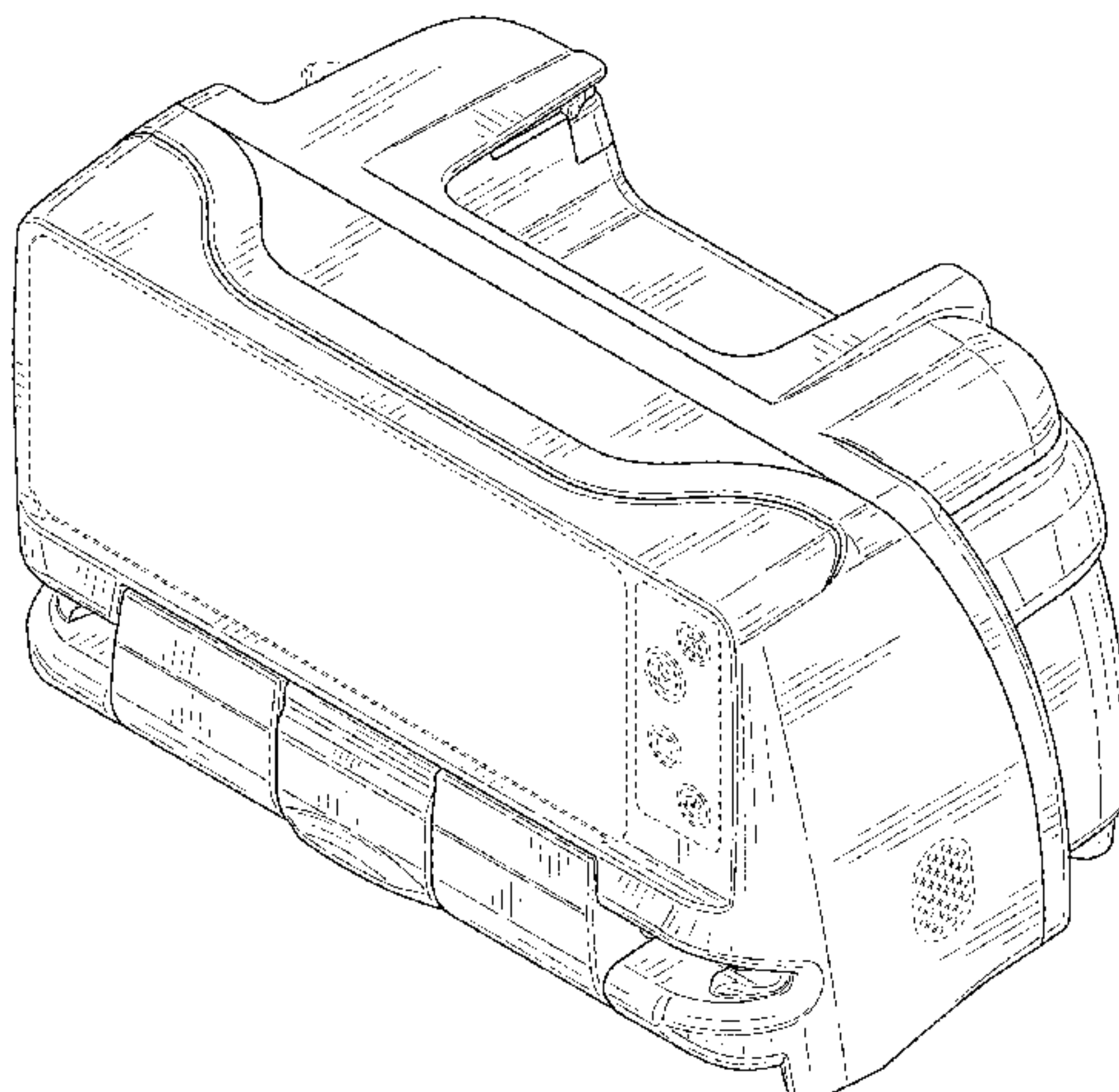
(57) **CLAIM**

We claim the ornamental design for a large volume pump, as shown and described.

DESCRIPTION

FIG. 1 is a perspective view of a large volume pump.
FIG. 2 is a front elevation view of the large volume pump.
FIG. 3 is a rear elevation view of the large volume pump.
FIG. 4 is a side elevation view of the large volume pump.
FIG. 5 is another side elevation view of the large volume pump, from the side opposite that in FIG. 4.
FIG. 6 is a top plan view of the large volume pump; and,
FIG. 7 is a bottom plan view of the large volume pump.

(Continued)



The dashed broken lines depict portions of the large volume pump that form no part of the claimed design.

1 Claim, 7 Drawing Sheets

(56)

References Cited

U.S. PATENT DOCUMENTS

D474,837 S 5/2003 Gillespie, Jr. et al.
 D586,463 S * 2/2009 Evans D24/111
 D669,096 S 10/2012 Katsura
 8,499,108 B2 7/2013 Edwards et al.
 D691,259 S 10/2013 Estes et al.
 D730,514 S * 5/2015 Boaz D24/111
 D761,741 S 7/2016 Santiago et al.
 D765,832 S * 9/2016 Hochman D24/111
 D766,204 S 9/2016 Takahata
 9,446,186 B2 9/2016 Estes
 D777,119 S 1/2017 Lin et al.
 D787,504 S 5/2017 Hillman et al.
 D793,346 S 8/2017 Folk et al.
 D800,717 S 10/2017 Hillman et al.
 D801,519 S * 10/2017 Sabin D24/108
 D803,386 S * 11/2017 Sabin D24/108

D803,387 S * 11/2017 Bodwell D24/108
 2001/0044602 A1 11/2001 Angersbach et al.
 2002/0107476 A1 8/2002 Mann et al.
 2003/0060765 A1 3/2003 Campbell et al.
 2004/0167464 A1 8/2004 Ireland et al.
 2007/0167912 A1 7/2007 Causey et al.
 2008/0103375 A1 5/2008 Kiani
 2008/0281168 A1 11/2008 Gibson et al.
 2008/0294142 A1 11/2008 Patel et al.
 2009/0043252 A1* 2/2009 Haylor A61M 5/1413
 604/67
 2011/0040247 A1 2/2011 Mandro et al.
 2012/0023808 A1 2/2012 Lagunas-Solar et al.
 2012/0083760 A1 4/2012 Ledford et al.
 2013/0053820 A1 11/2013 Estes et al.
 2014/0249500 A1 9/2014 Estes
 2015/0018766 A1 1/2015 Nakanishi et al.
 2015/0275887 A1 10/2015 Koyama et al.
 2015/0314066 A1* 11/2015 Shimizu A61M 5/16831
 604/507
 2016/0058939 A1 3/2016 Brewer et al.
 2016/0228633 A1 8/2016 Welsch et al.
 2016/0235910 A1 8/2016 Damiano
 2016/0250410 A1 9/2016 Traversaz et al.
 2017/0100536 A1 4/2017 Estes et al.
 2017/0213012 A1 7/2017 O'Scolai et al.
 2017/0281864 A1 10/2017 Searle et al.

* cited by examiner

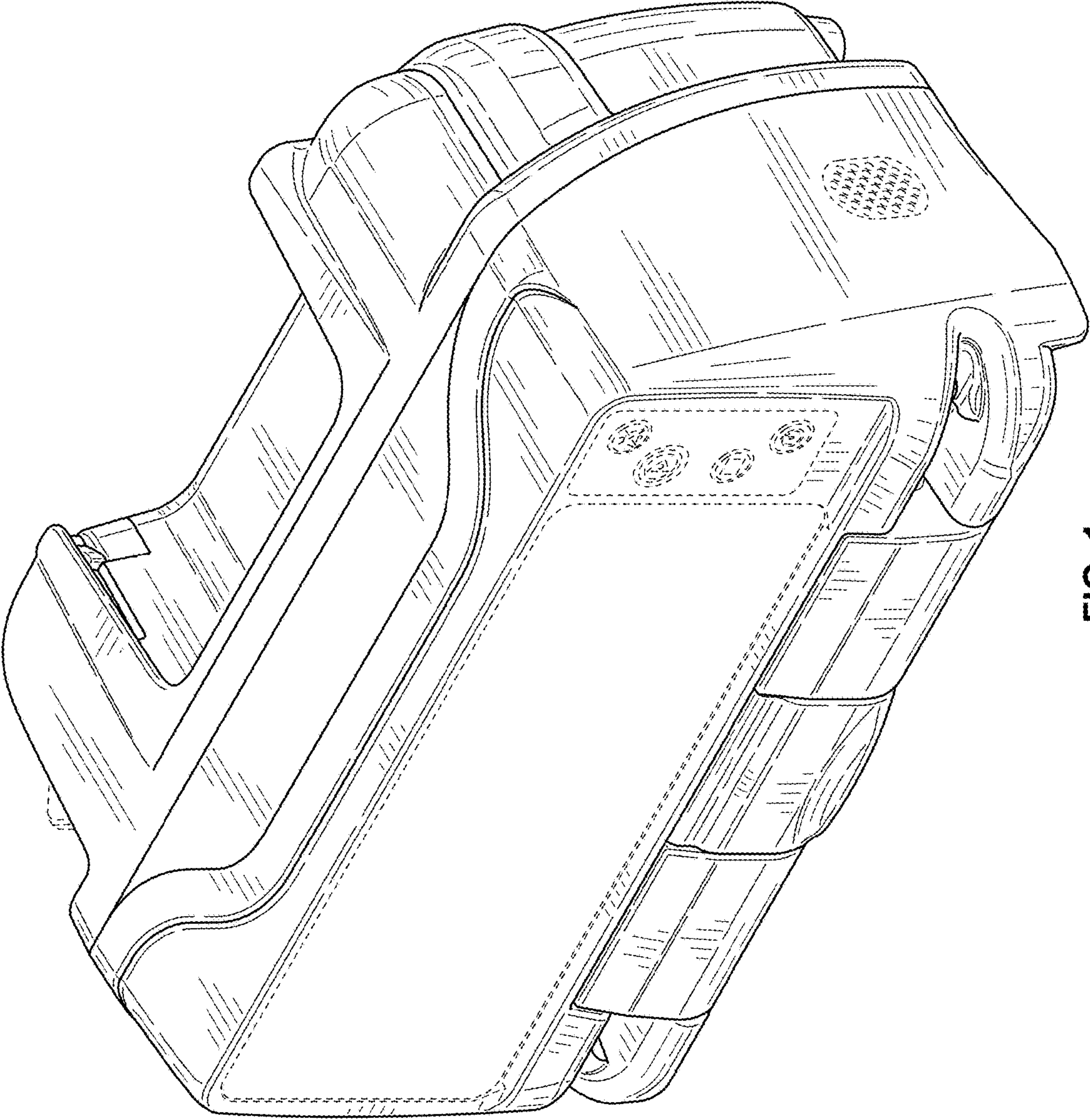


FIG. 1

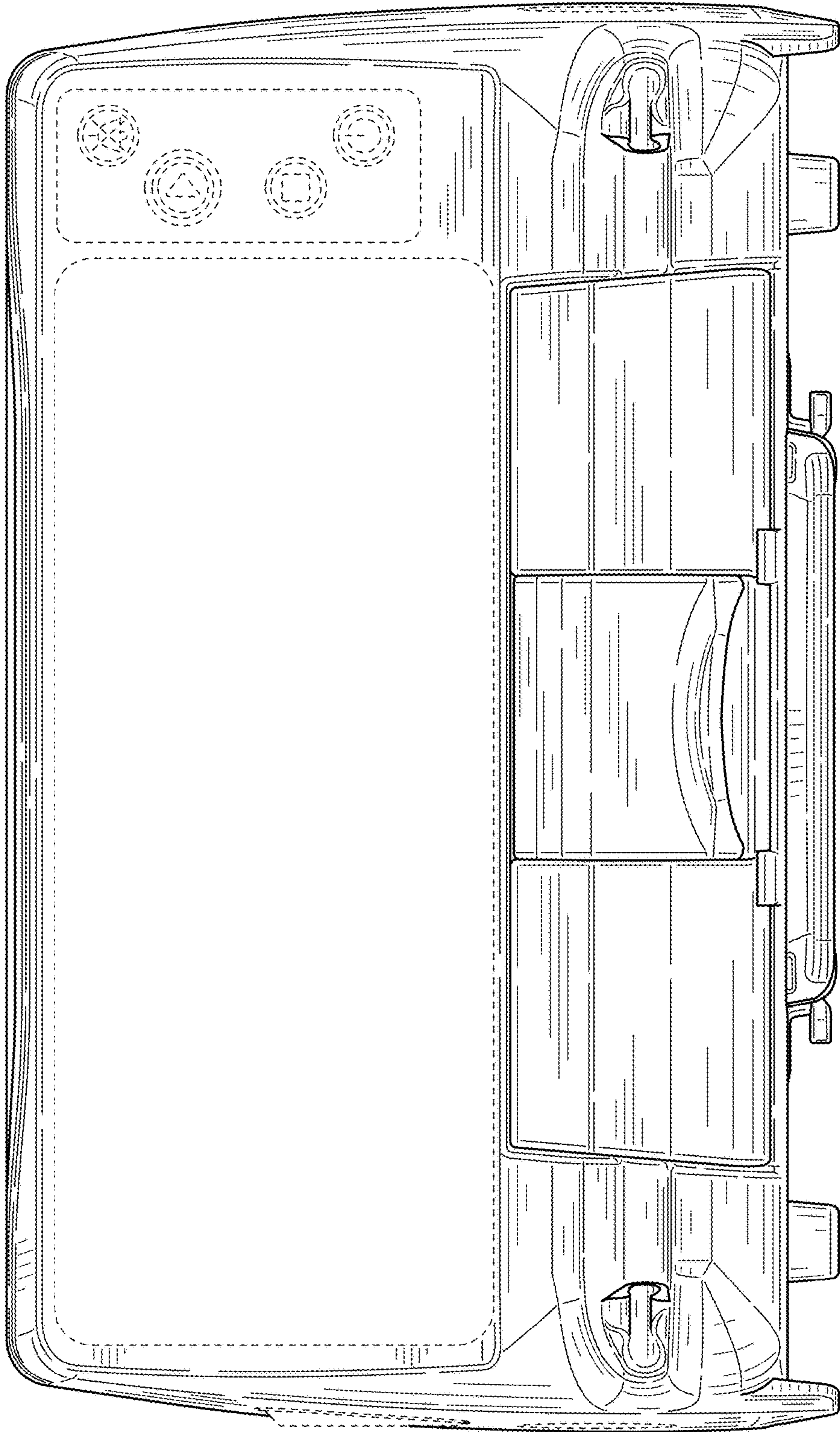


FIG. 2

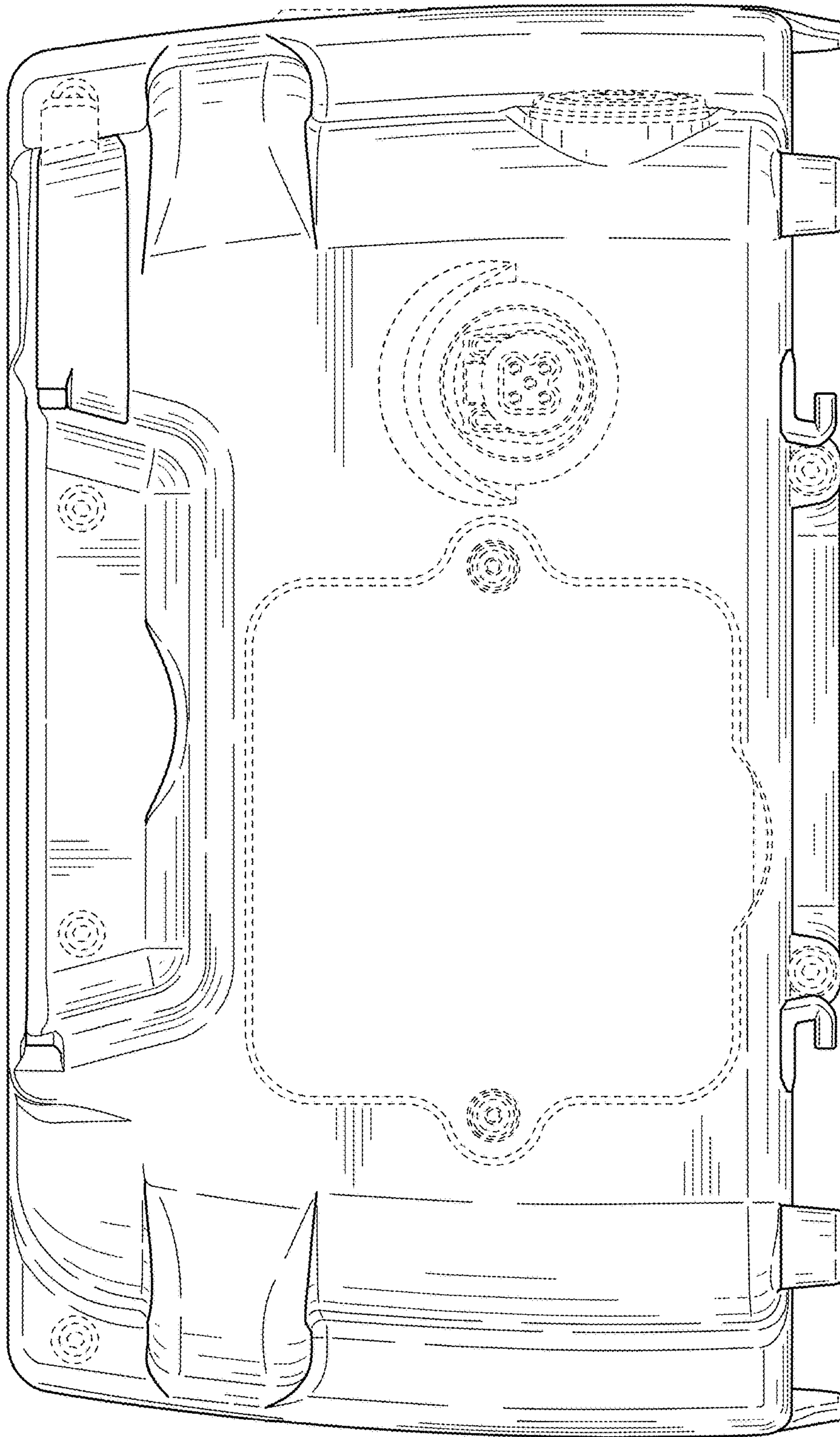


FIG. 3

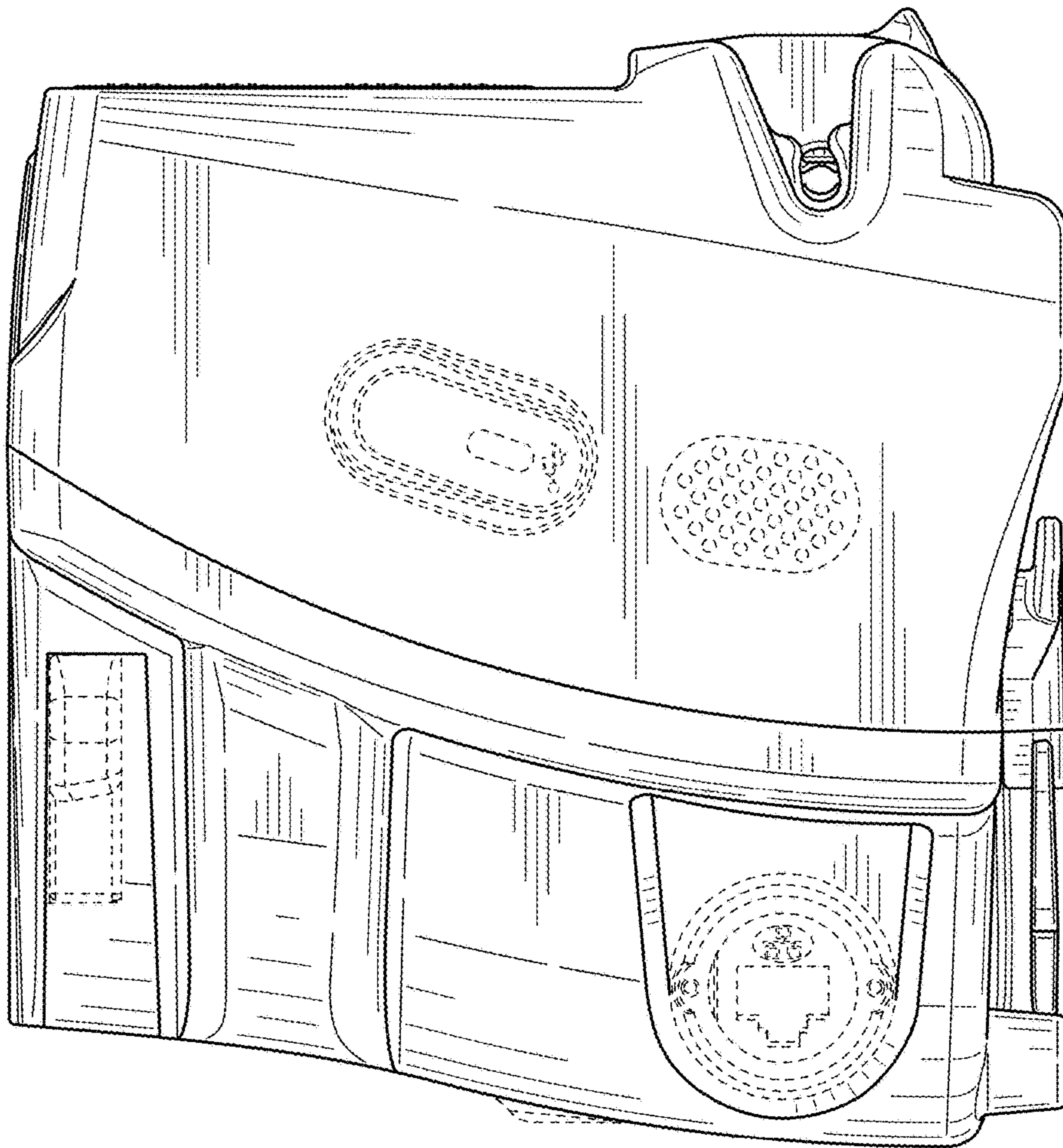


FIG. 4

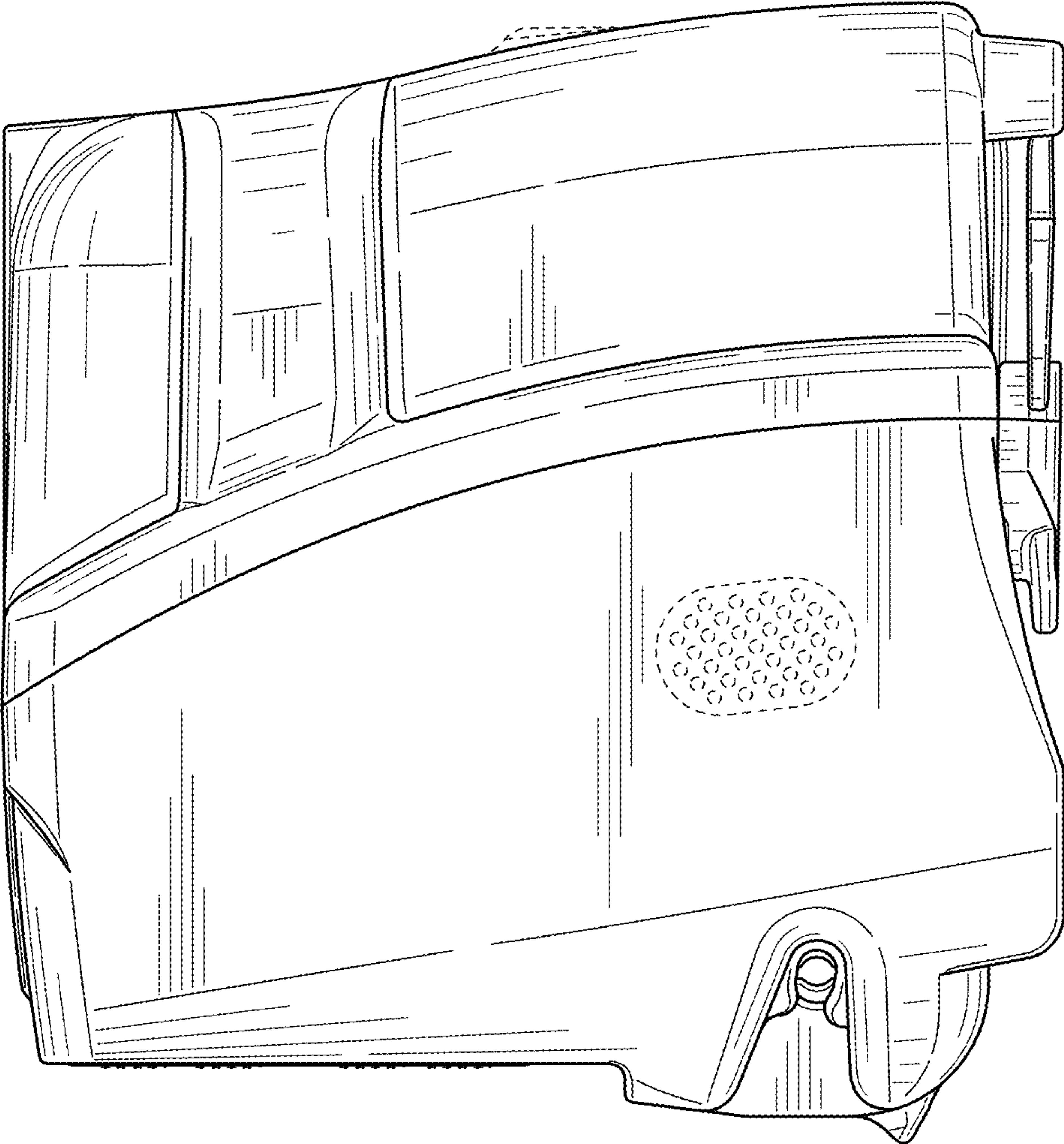


FIG. 5

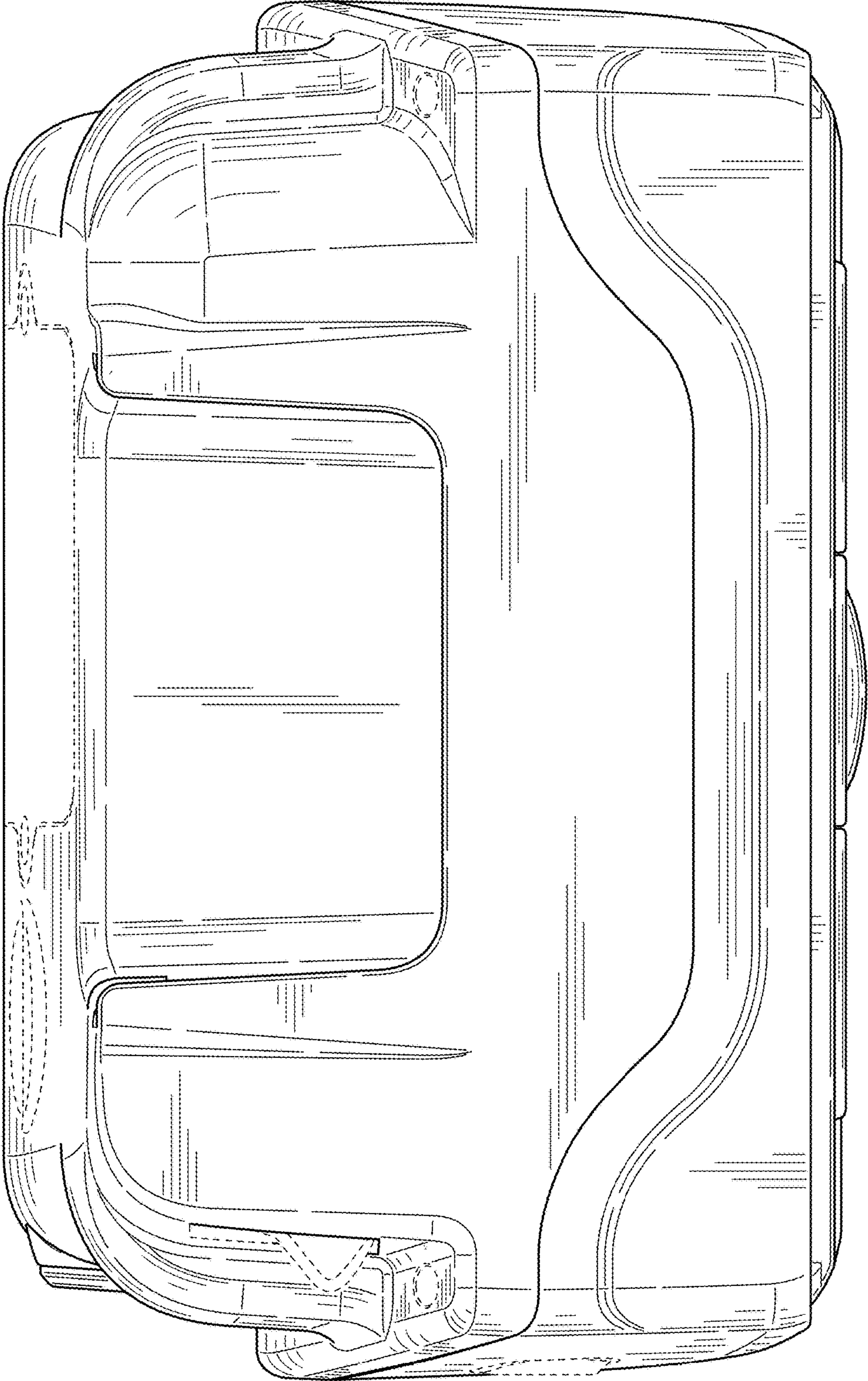


FIG. 6

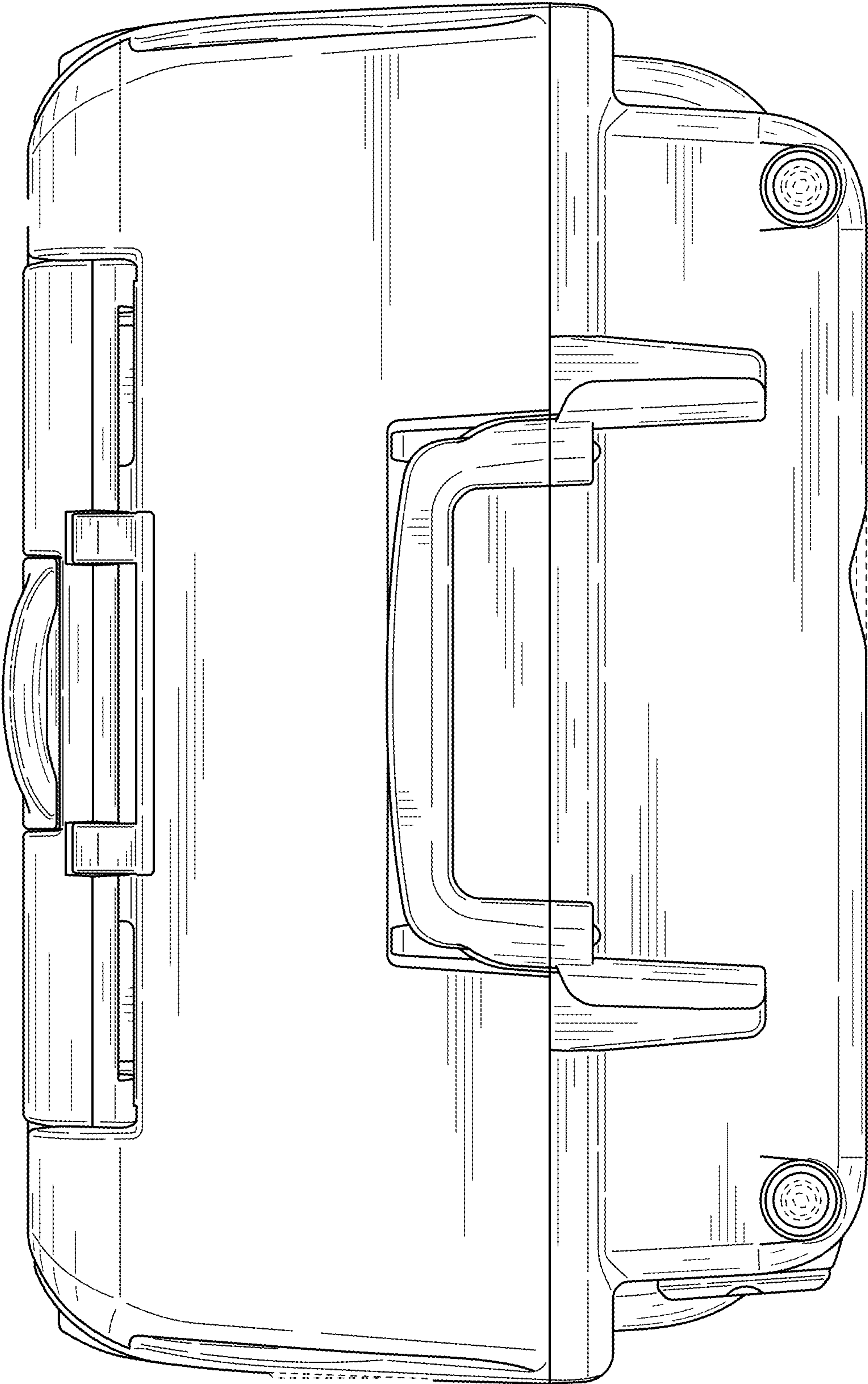


FIG. 7