



US00D812217S

(12) **United States Design Patent**  
**Hidalgo**

(10) **Patent No.:** **US D812,217 S**  
(45) **Date of Patent:** **\*\* Mar. 6, 2018**

- (54) **CEILING FAN BLADE IRON**
- (71) Applicant: **Minka Lighting, Inc.**, Corona, CA  
(US)
- (72) Inventor: **Rolando Hidalgo**, Yorba Linda, CA  
(US)
- (73) Assignee: **Minka Lighting, Inc.**, Corona, CA  
(US)
- (\*\*) Term: **15 Years**
- (21) Appl. No.: **29/586,741**
- (22) Filed: **Dec. 6, 2016**

D572,815 S *	7/2008	Hidalgo	.....	D23/411
D582,030 S *	12/2008	Pickett	.....	D23/411
D591,845 S *	5/2009	Smith	.....	D23/411
D613,847 S *	4/2010	Shurtleff	.....	D23/411
D620,099 S *	7/2010	Flores	.....	D23/411
D627,872 S *	11/2010	Pan	.....	D23/411
D670,801 S *	11/2012	Searle	.....	D23/411
D704,820 S *	5/2014	Wang	.....	D23/411
D705,922 S *	5/2014	Wang	.....	D23/411
D706,409 S *	6/2014	Wang	.....	D23/411
D707,347 S *	6/2014	Wang	.....	D23/411
D707,348 S *	6/2014	Pan	.....	D23/411
D710,988 S *	8/2014	Pan	.....	D23/411
D787,038 S *	5/2017	Badarello	.....	D23/411
2011/0116946 A1 *	5/2011	Webb	.....	F04D 25/088 417/410.1

\* cited by examiner

**Related U.S. Application Data**

- (63) Continuation-in-part of application No. 29/552,032, filed on Jan. 19, 2016, now abandoned.
- (51) **LOC (11) Cl.** ..... **23-04**
- (52) **U.S. Cl.**  
USPC ..... **D23/411**
- (58) **Field of Classification Search**  
USPC ..... D23/370, 377, 379, 385, 411, 413;  
D26/59  
CPC ..... F04D 25/08; F04D 29/388; F04D 29/34;  
F04D 25/088  
See application file for complete search history.

*Primary Examiner* — Janice Hallmark

(74) *Attorney, Agent, or Firm* — Baker & McKenzie LLP

(57) **CLAIM**

The ornamental design for a ceiling fan blade iron, as shown and described.

**DESCRIPTION**

FIG. 1 is a perspective view of a ceiling fan blade iron showing my new design in the environment of a ceiling fan; FIG. 2 is a perspective view of the ceiling fan blade iron; FIG. 3 is a top plan view thereof; FIG. 4 is a bottom plan view thereof; FIG. 5 is a left side elevation view thereof; FIG. 6 is a right side elevation view thereof; FIG. 7 is a front elevation view thereof; and, FIG. 8 is a rear elevation view thereof.

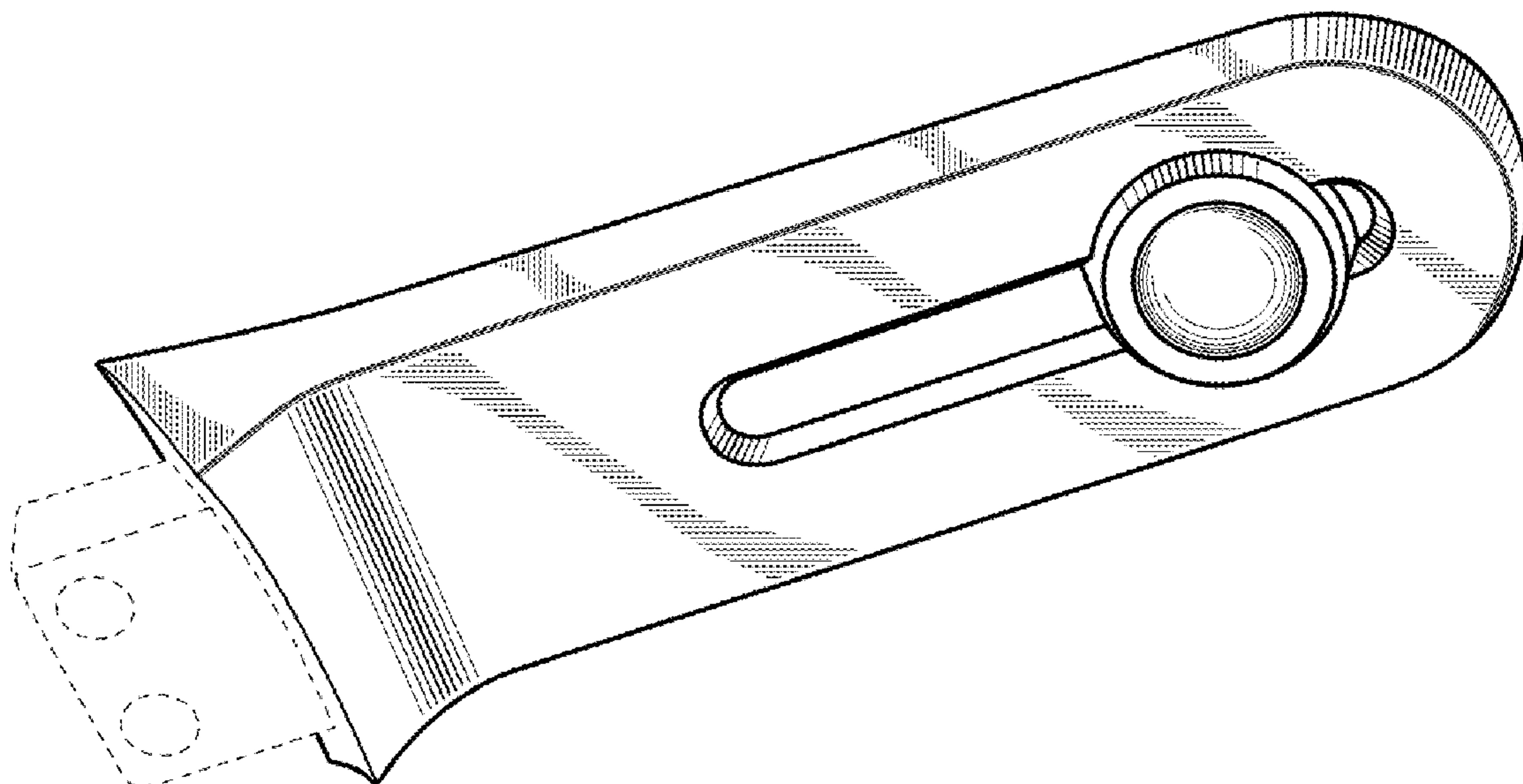
The broken lines in the drawings depict environmental subject matter only and form no part of the claimed design.

(56) **References Cited**

**U.S. PATENT DOCUMENTS**

D522,647 S *	6/2006	Pickett	.....	D23/411
D535,384 S *	1/2007	Pickett	.....	D23/411
D535,739 S *	1/2007	Pan	.....	D23/411
D551,756 S *	9/2007	Ertze	.....	D23/411

**1 Claim, 2 Drawing Sheets**



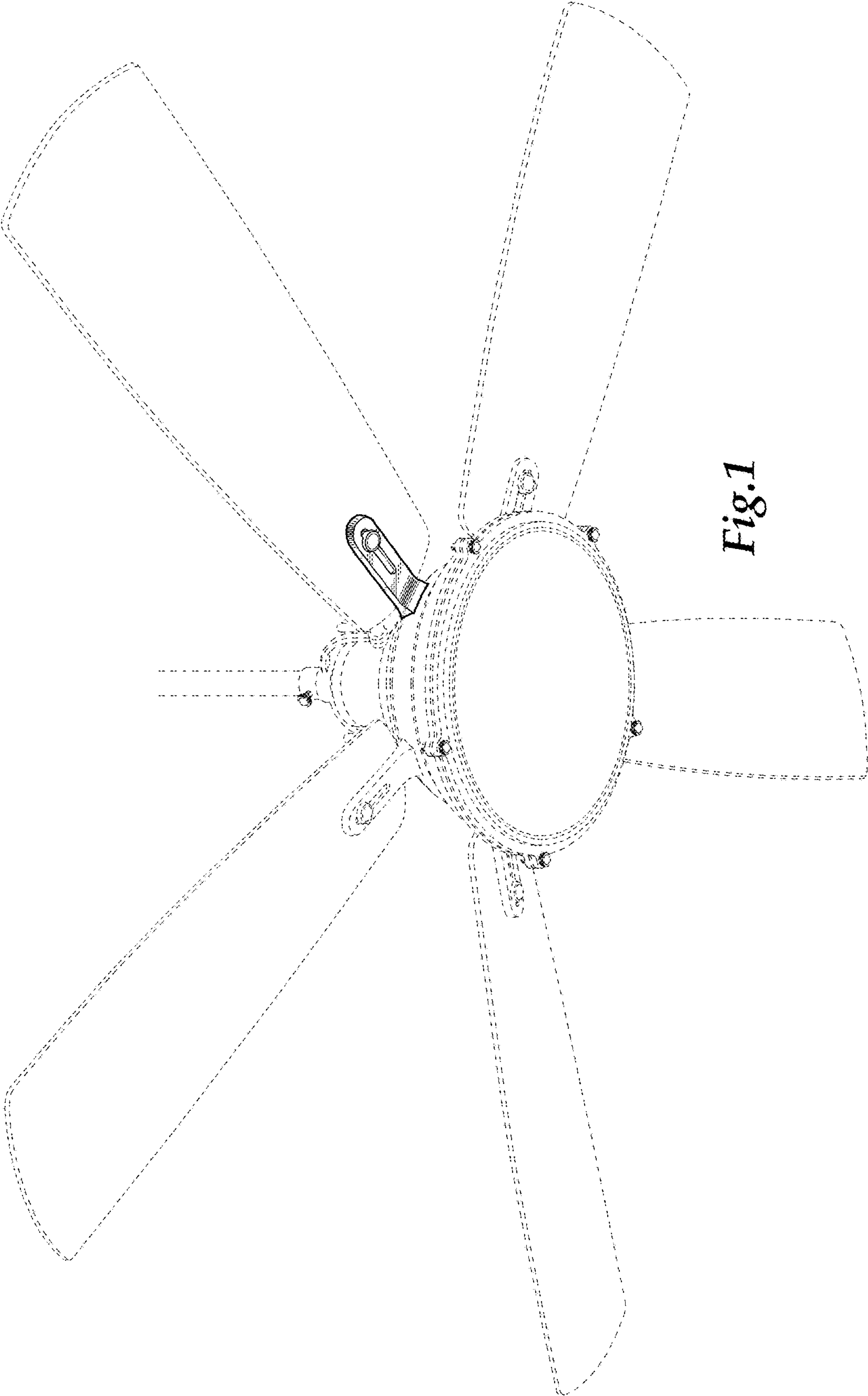
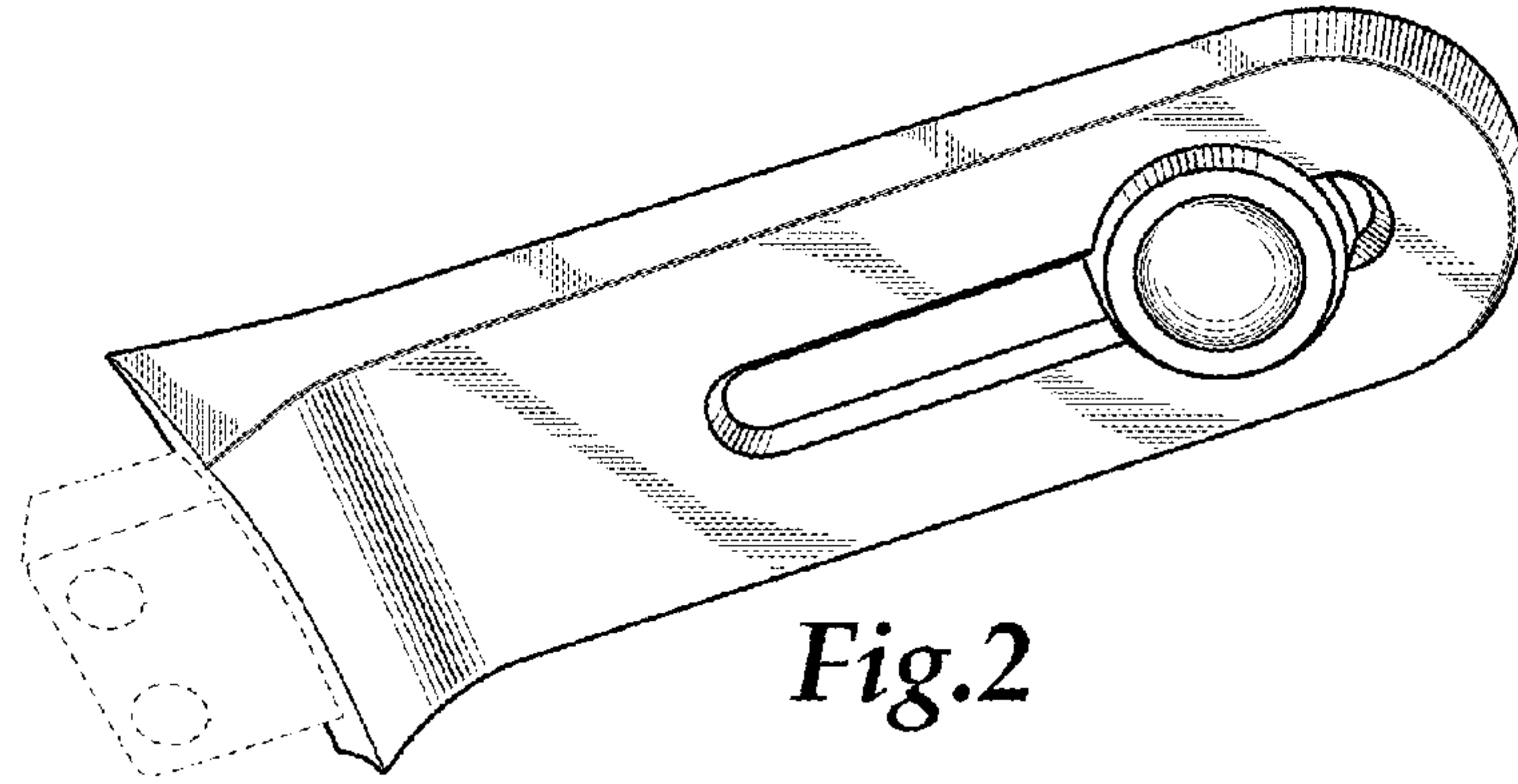
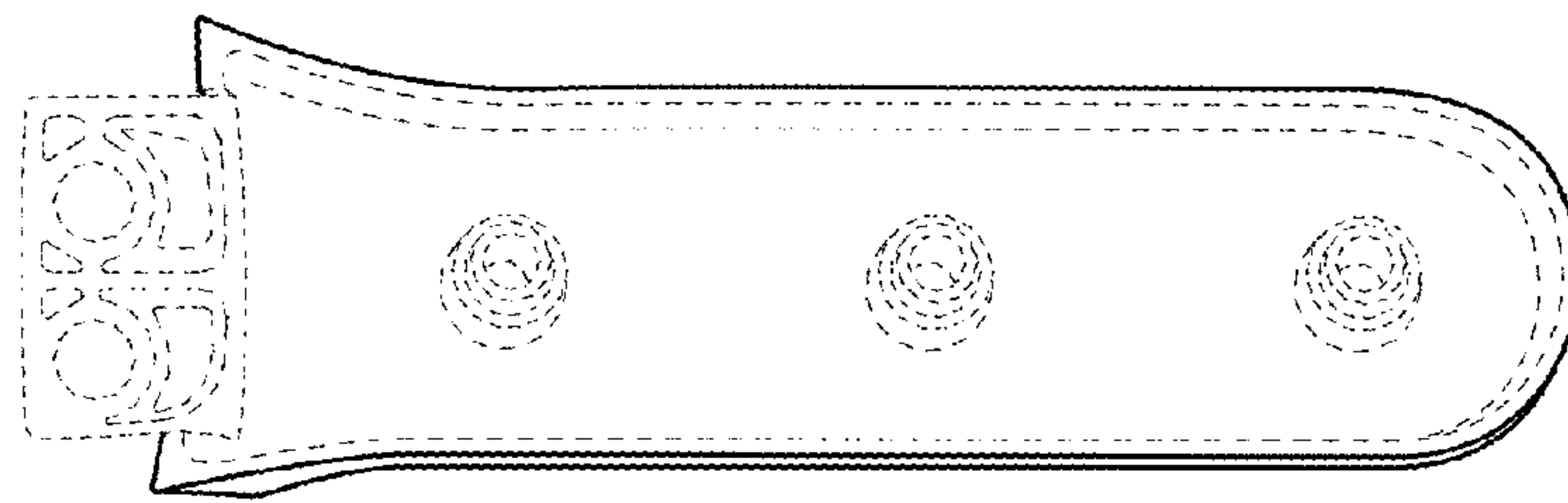


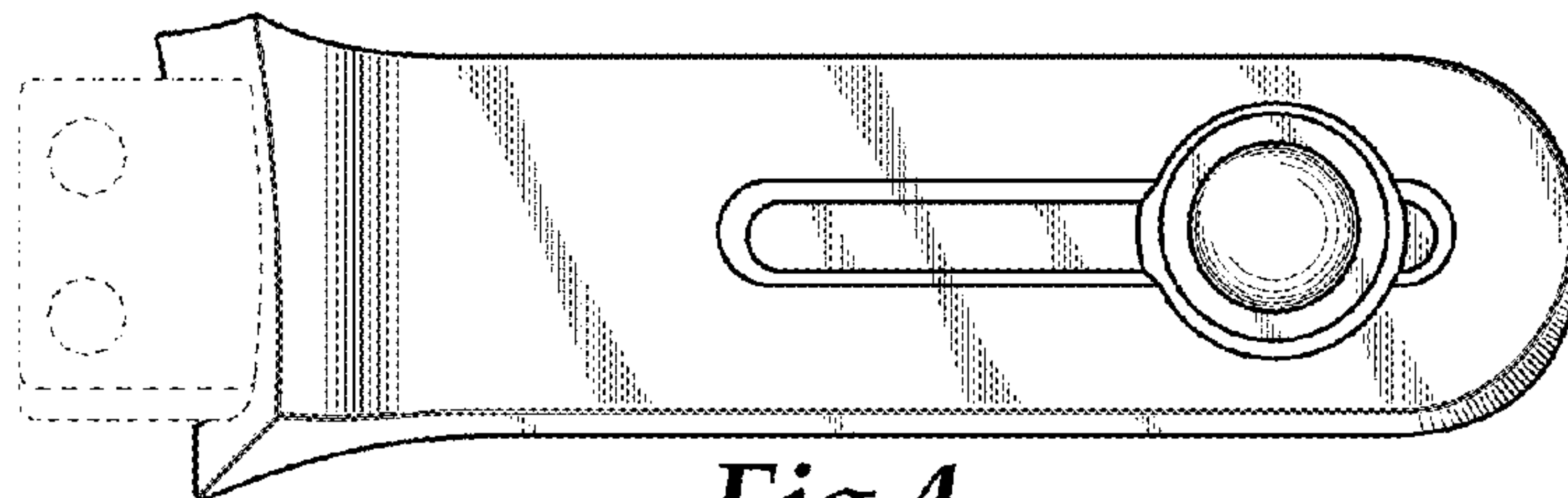
Fig. 1



*Fig.2*



*Fig.3*



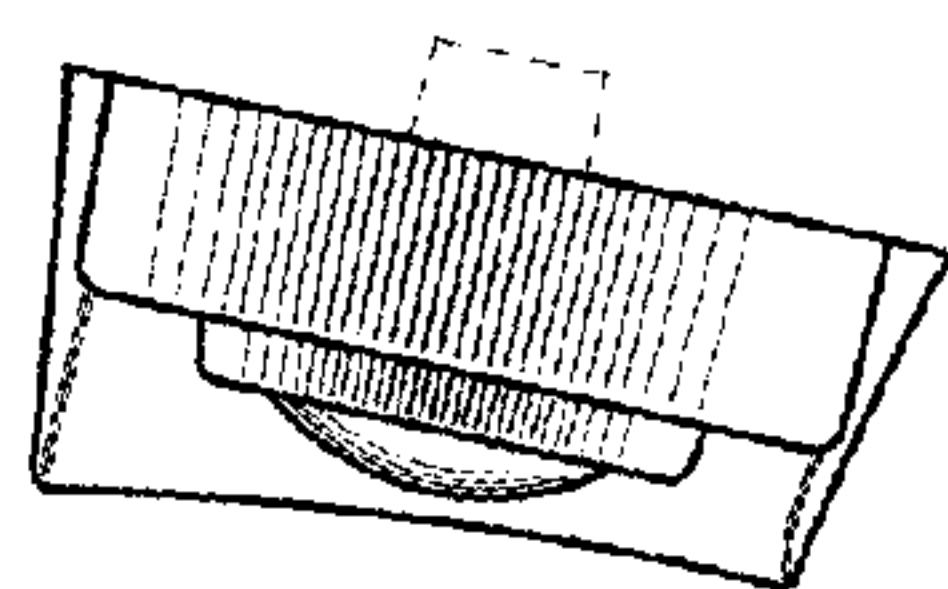
*Fig.4*



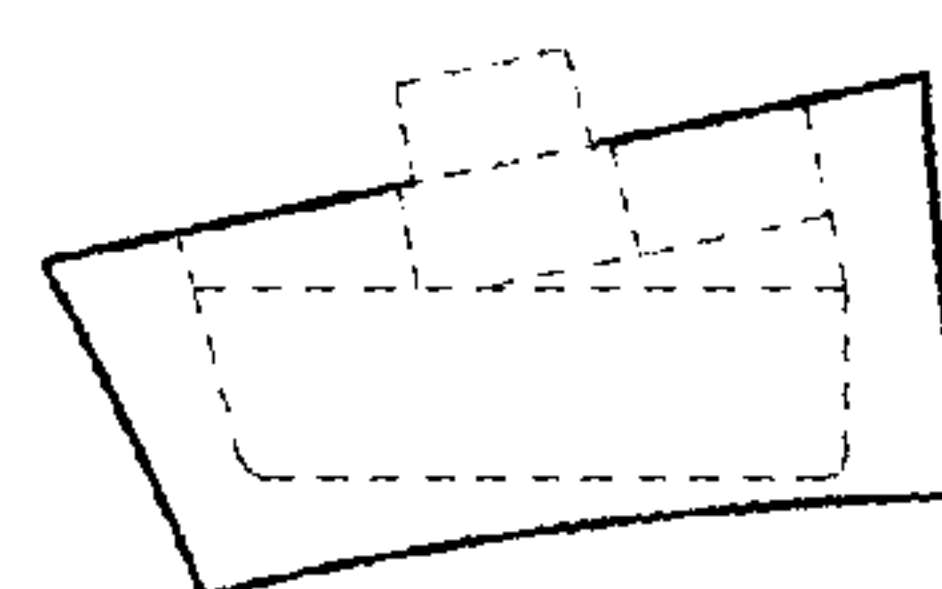
*Fig.5*



*Fig.6*



*Fig.7*



*Fig.8*