



US00D812216S

(12) **United States Design Patent**
Langford

(10) **Patent No.:** **US D812,216 S**
(45) **Date of Patent:** **** Mar. 6, 2018**

- (54) **CONCEALED ROOF VENT**
- (71) Applicant: **Joseph Langford**, St. George, UT (US)
- (72) Inventor: **Joseph Langford**, St. George, UT (US)
- (**) Term: **15 Years**
- (21) Appl. No.: **29/562,094**
- (22) Filed: **Apr. 22, 2016**
- (51) **LOC (11) Cl.** **23-03**
- (52) **U.S. Cl.**
USPC **D23/393; D23/373**
- (58) **Field of Classification Search**
USPC D23/259-260, 266, 370-376, 381, 385,
D23/386-403; D25/139, 141
CPC E04D 13/17; E04D 13/1476
See application file for complete search history.

- 9,011,221 B2 * 4/2015 Daniels F24F 7/02
454/366
- D729,927 S * 5/2015 Fiser D23/393
- D755,944 S * 5/2016 Daniels D23/373
- 9,447,583 B2 * 9/2016 Tovmasyan E04D 13/17
- D771,790 S * 11/2016 Smith D23/393
- D779,650 S * 2/2017 Poehlman D23/393
- D796,661 S * 9/2017 Oswald, Jr. D23/388
- 9,822,532 B2 * 11/2017 Sherry E04D 13/17

* cited by examiner

Primary Examiner — Cathron C Brooks

Assistant Examiner — Sharon S Oum

(74) *Attorney, Agent, or Firm* — Gallian, Welker & Beckstrom, L.C.; Robert A. Gurr

(56) **References Cited**

U.S. PATENT DOCUMENTS

- D284,888 S * 7/1986 Morgan D23/370
- D288,959 S * 3/1987 Schulz D23/392
- D442,273 S * 5/2001 Pestell D23/393
- D549,316 S * 8/2007 O'Hagin D23/393
- D556,314 S * 11/2007 Daniels, II D23/393
- D618,780 S * 6/2010 Williams, Sr. D23/373
- D660,948 S * 5/2012 Varma D23/333
- D666,285 S * 8/2012 Schrad D23/387
- 8,608,533 B2 * 12/2013 Daniels F24F 7/025
454/250
- 8,782,967 B2 * 7/2014 Daniels E04D 1/30
454/250

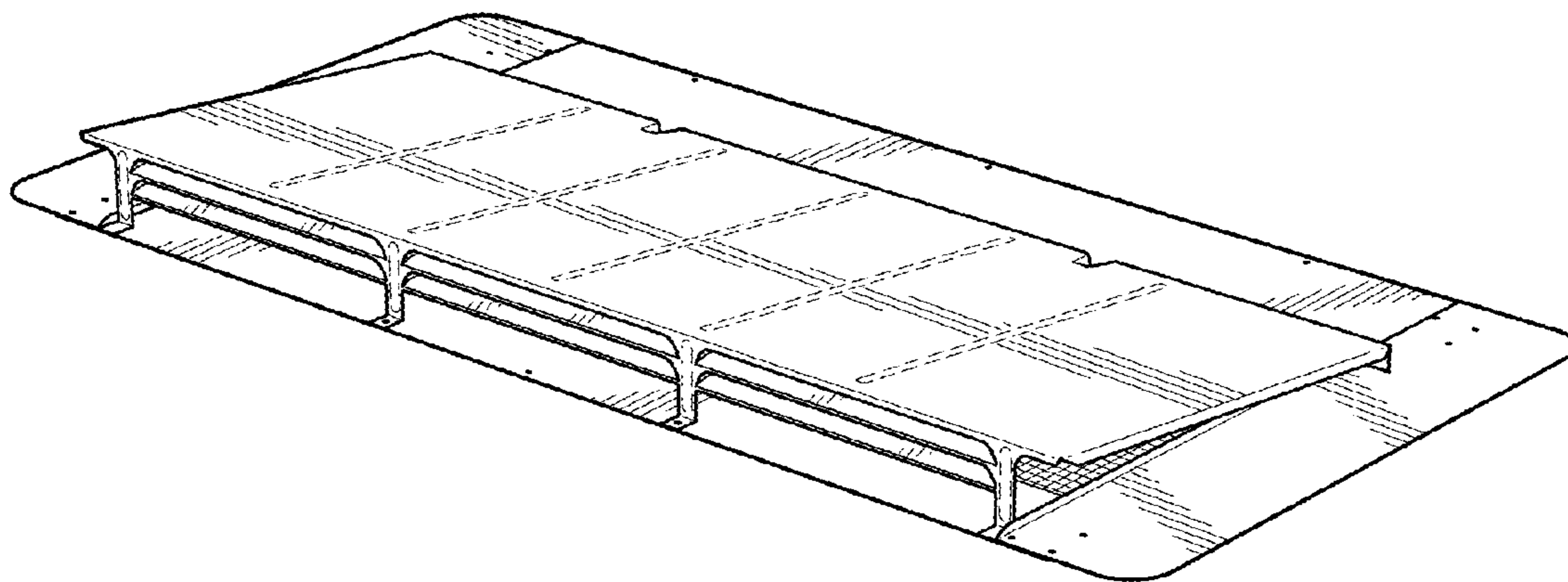
(57) **CLAIM**

The ornamental design for a concealed roof vent, as shown and described.

DESCRIPTION

FIG. 1 is a front perspective view of the concealed roof vent; FIG. 2 is a top plan view of the concealed roof vent; FIG. 3 is a front elevation view of the concealed roof vent; FIG. 4 is a rear elevation view of the concealed roof vent; FIG. 5 is a side elevation view of the concealed roof vent; and, FIG. 6 is a bottom plan view of the concealed roof vent. The broken lines illustrate portions of the concealed roof vent and form no part of the claimed design.

1 Claim, 4 Drawing Sheets



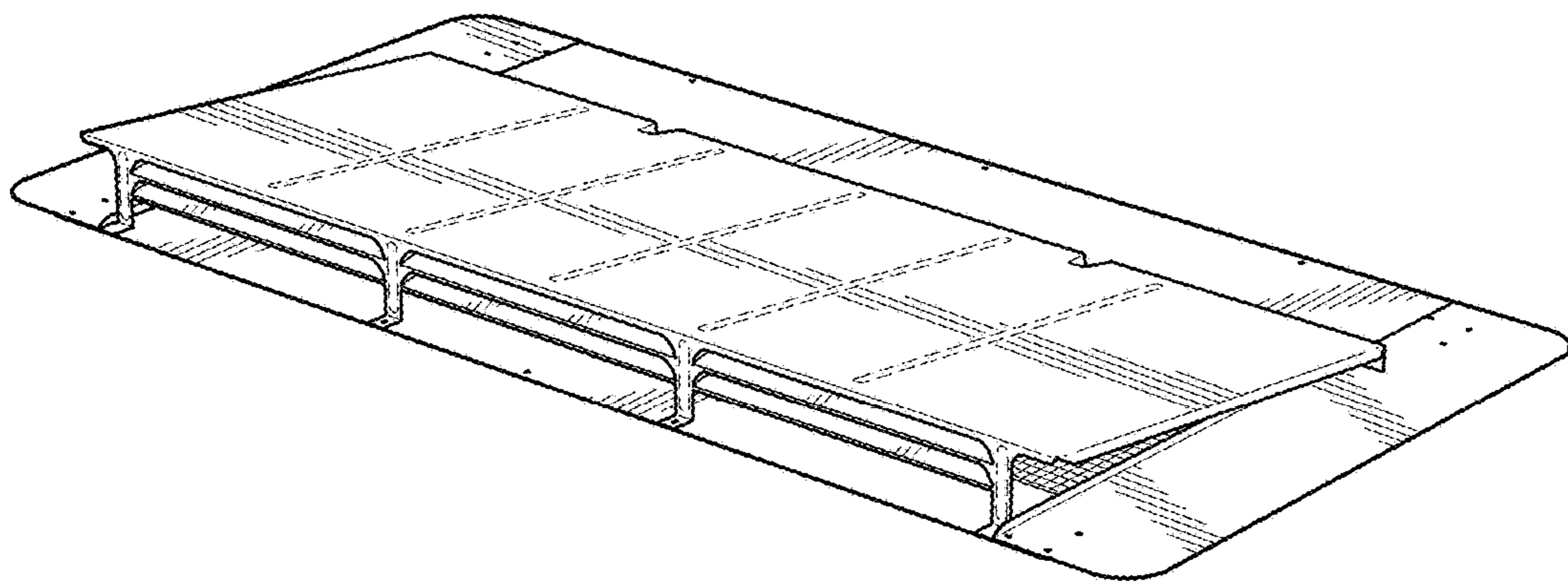


FIG. 1

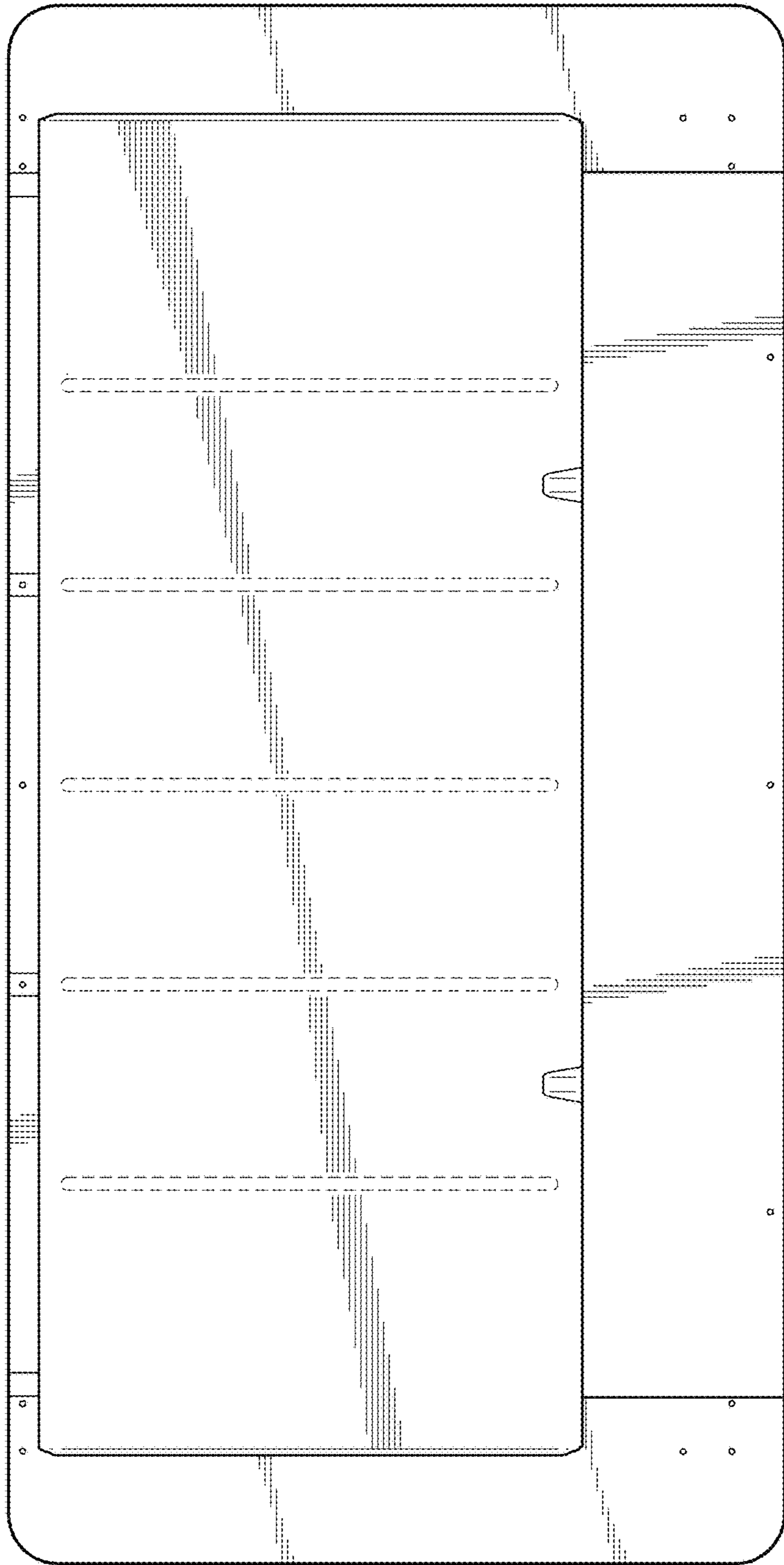


FIG. 2

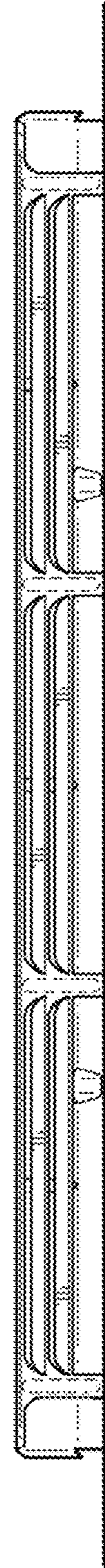


FIG. 3

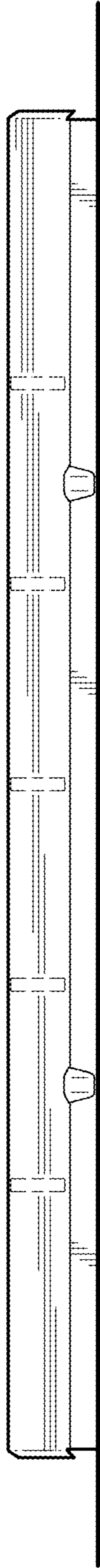


FIG. 4



FIG. 5

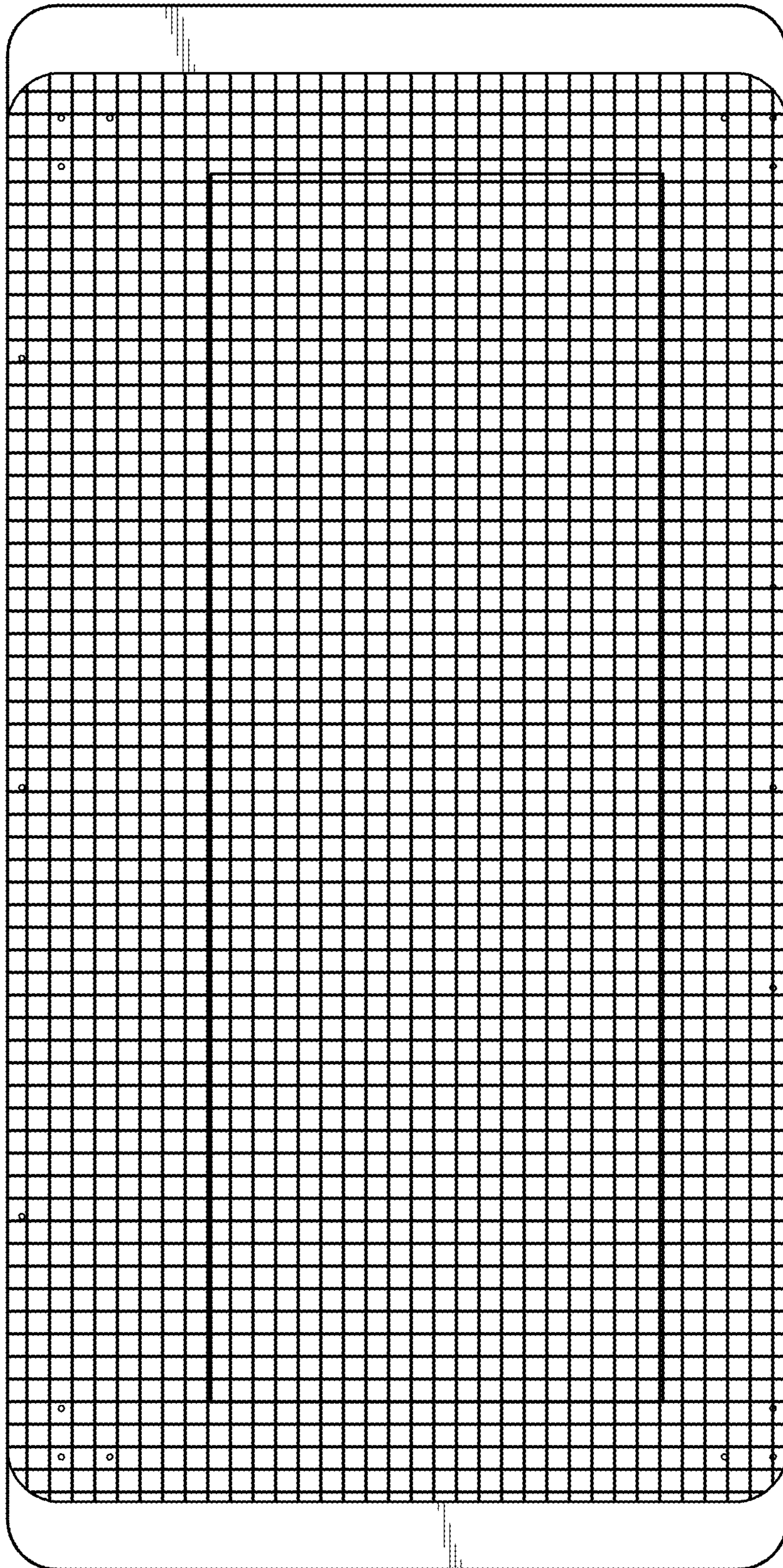


FIG. 6