



US00D812213S

(12) **United States Design Patent**  
**Langford**

(10) **Patent No.:** **US D812,213 S**  
(45) **Date of Patent:** **\*\* Mar. 6, 2018**

- (54) **CONCEALED ROOF VENT**
- (71) Applicant: **Joseph Langford**, St. George, UT (US)
- (72) Inventor: **Joseph Langford**, St. George, UT (US)
- (\*\*) Term: **15 Years**
- (21) Appl. No.: **29/572,861**
- (22) Filed: **Aug. 1, 2016**
- (51) **LOC (11) Cl.** ..... **23-04**
- (52) **U.S. Cl.**  
USPC ..... **D23/373**
- (58) **Field of Classification Search**  
USPC ..... D23/370-379, 381-385, 411-414, 360,  
D23/314, 335, 332; D26/59, 106, 61-62,  
D26/63-65, 104; D32/15, 346  
CPC ..... F04D 5/00; F04D 27/00; F24H 3/04  
See application file for complete search history.

(56) **References Cited**

**U.S. PATENT DOCUMENTS**

- D124,294 S \* 12/1940 Leslie ..... D23/373
- D131,009 S \* 1/1942 Leslie ..... D23/373
- D131,010 S \* 1/1942 Leslie ..... D23/373
- D132,821 S \* 6/1942 Leslie ..... D23/373
- D134,477 S \* 12/1942 Leslie ..... D23/373

- D618,780 S \* 6/2010 Williams, Sr. .... D23/373
- D710,985 S \* 8/2014 Gassman ..... D23/373
- D755,944 S \* 5/2016 Daniels ..... D23/373
- 2017/0284688 A1 \* 10/2017 Langford ..... F24F 7/02

\* cited by examiner

*Primary Examiner* — Janice Hallmark

(74) *Attorney, Agent, or Firm* — Gallian, Welker & Beckstrom, L.C.; Robert A. Gurr

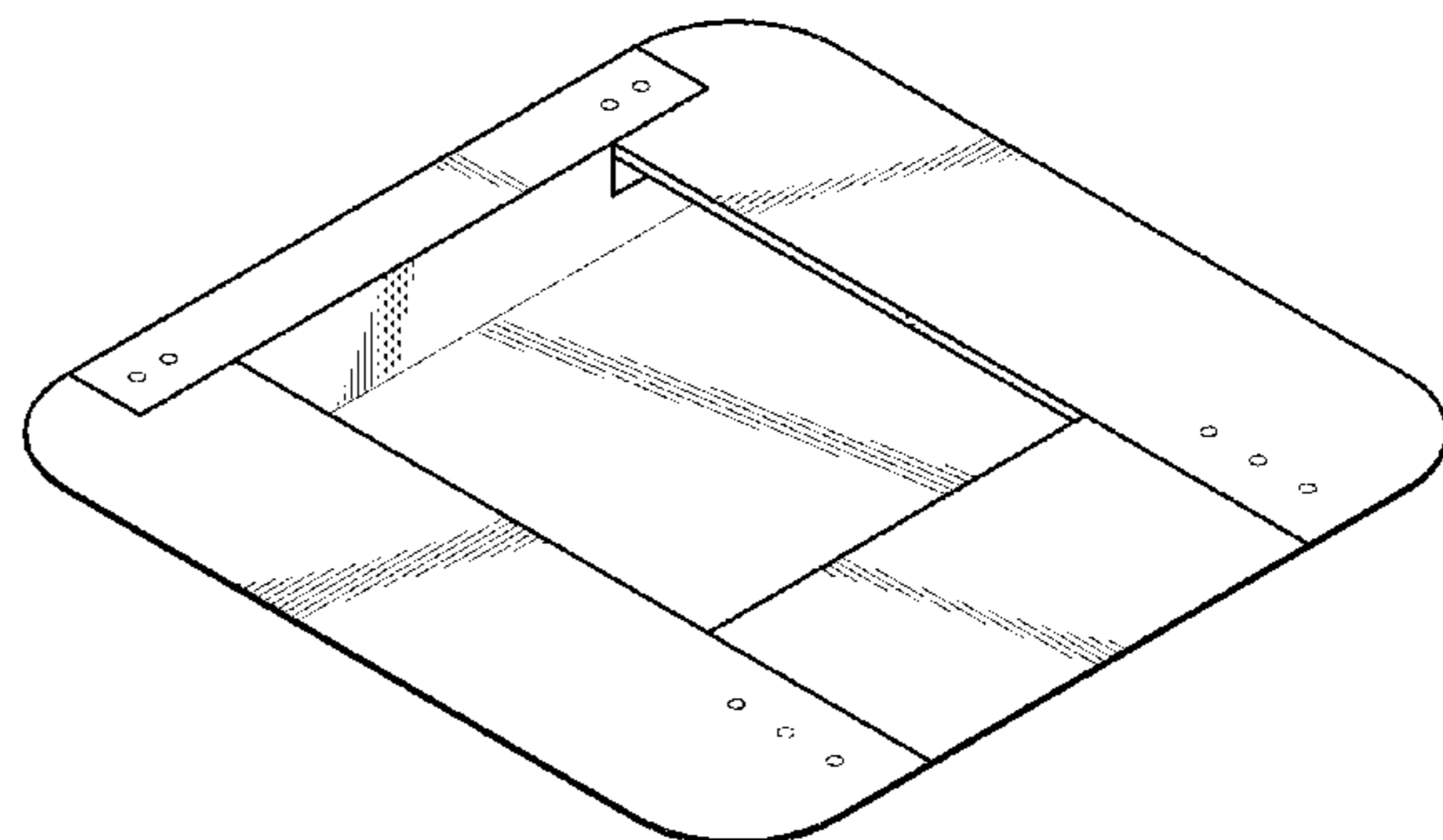
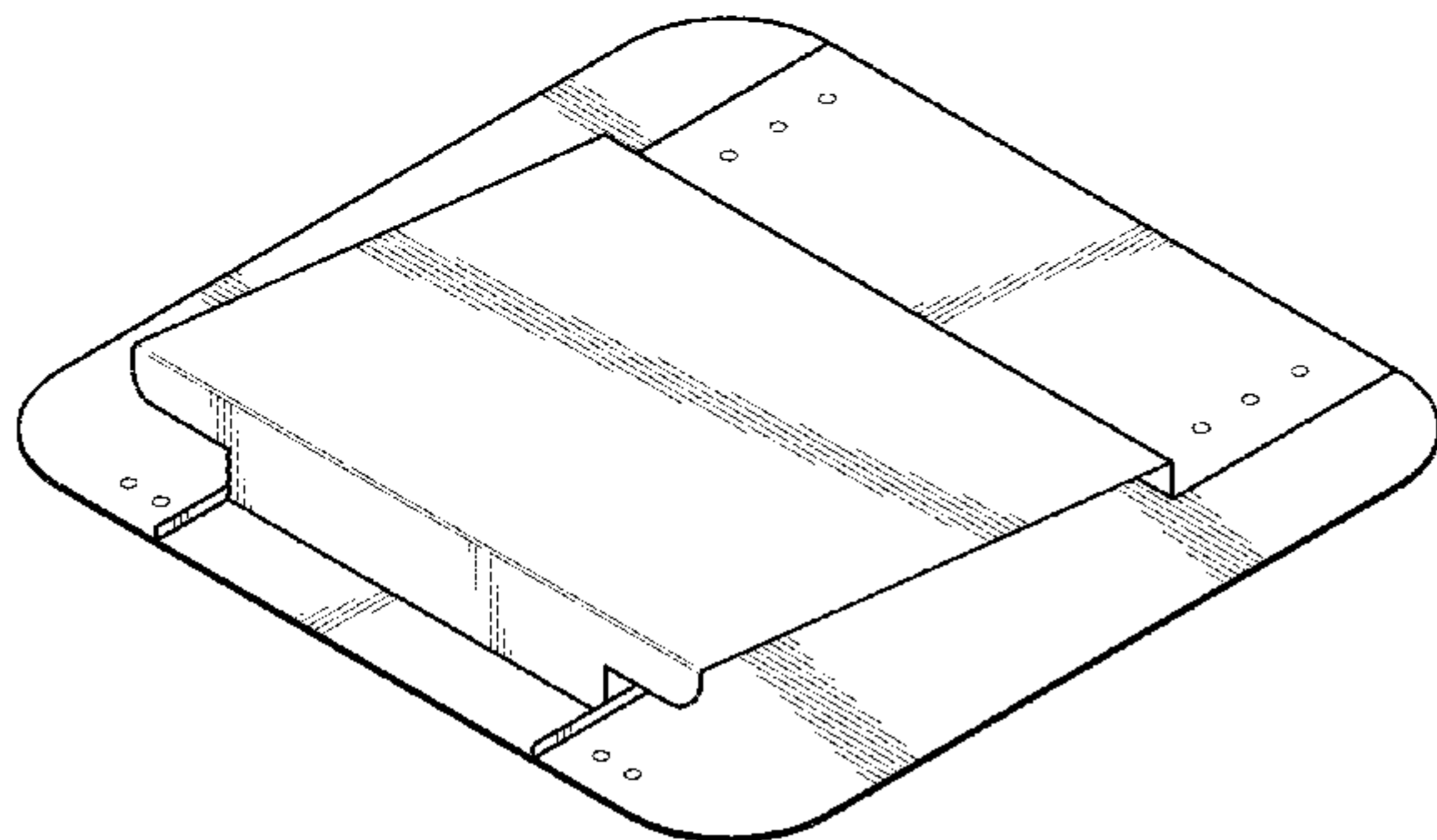
(57) **CLAIM**

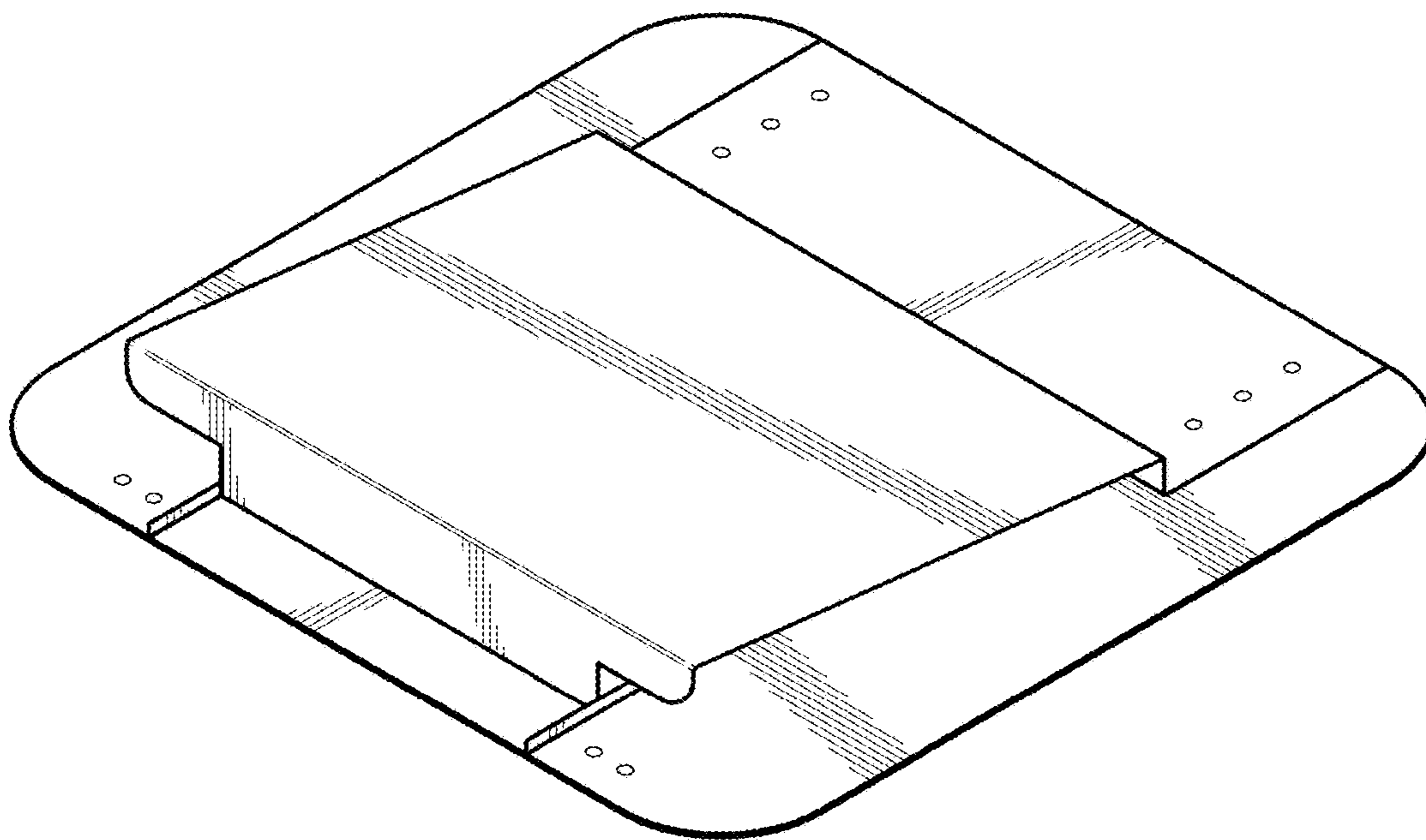
The ornamental design for a concealed roof vent, as shown and described.

**DESCRIPTION**

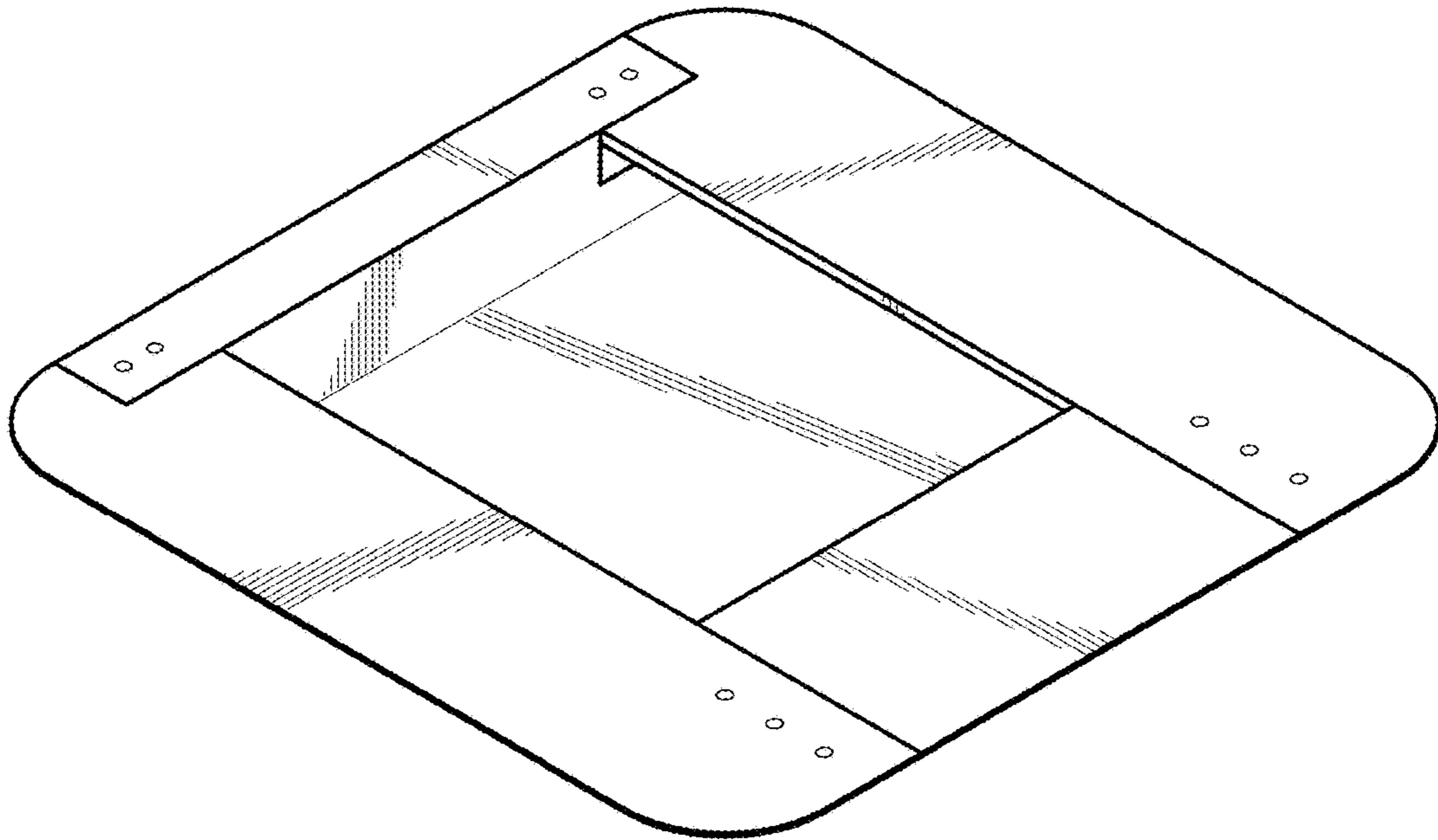
FIG. 1 is a front top perspective view of the concealed roof vent;  
 FIG. 2 is a bottom rear perspective view  
 FIG. 3 is a top plan view of the concealed roof vent;  
 FIG. 4 is a front elevation view of the concealed roof vent;  
 FIG. 5 is a rear elevation view of the concealed roof vent;  
 FIG. 6 is a side elevation view of the concealed roof vent;  
 and,  
 FIG. 7 is a bottom plan view of the concealed roof vent.

**1 Claim, 4 Drawing Sheets**

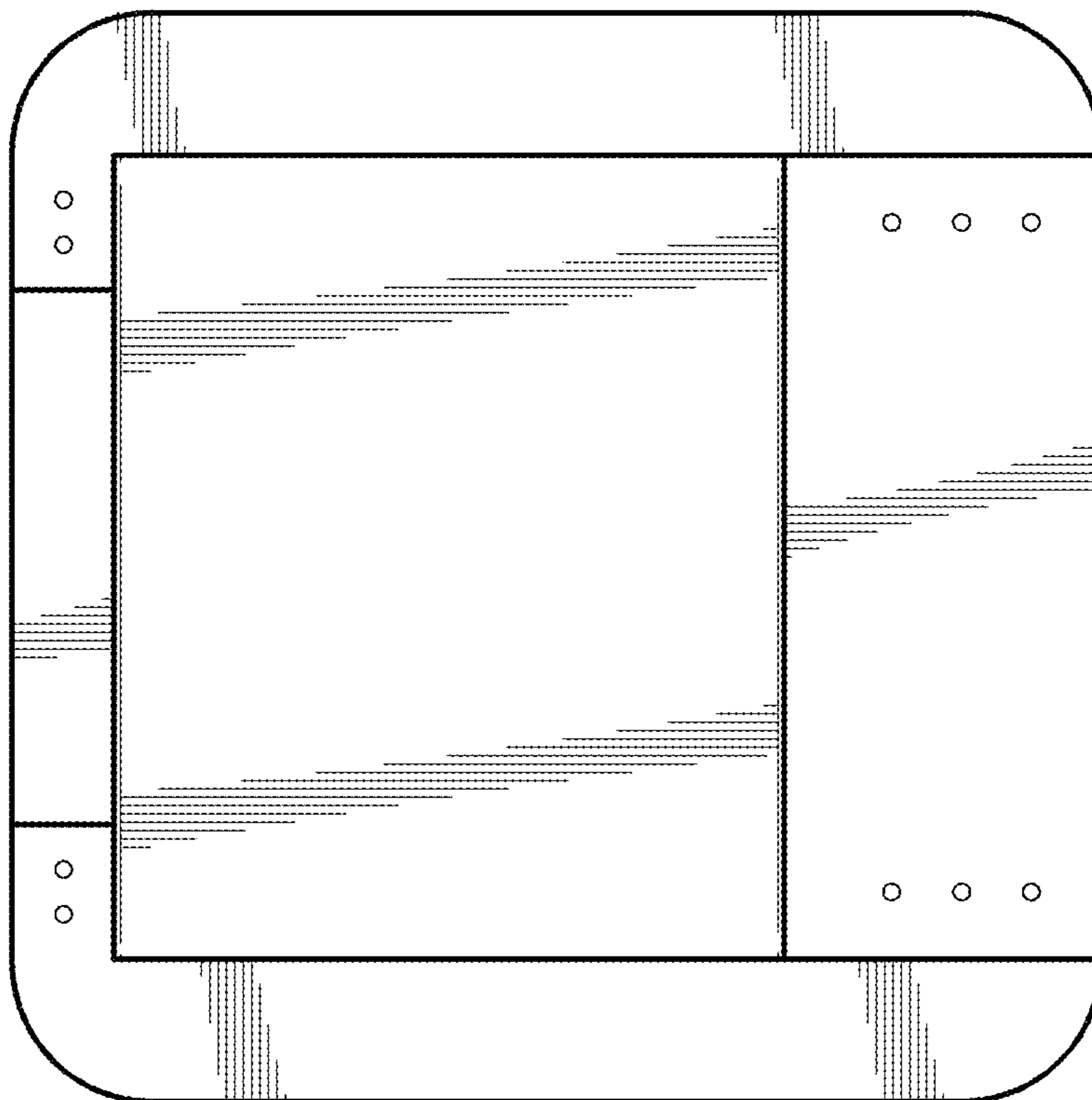




**FIG. 1**



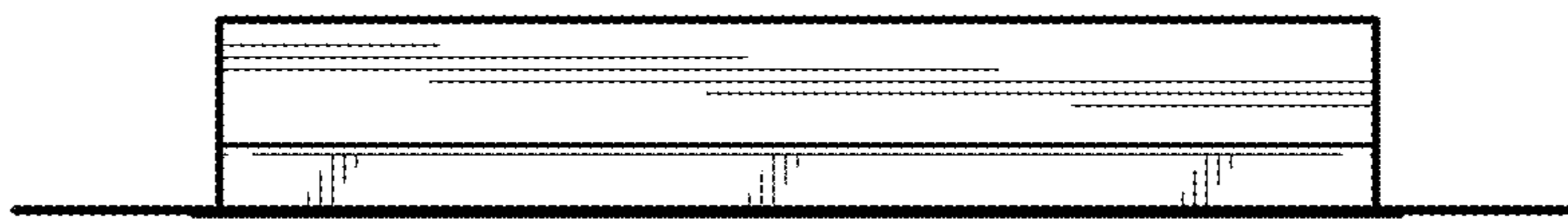
**FIG. 2**



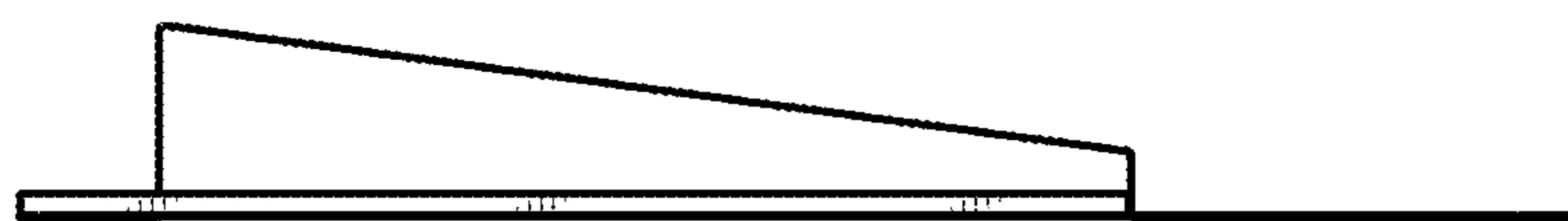
**FIG. 3**



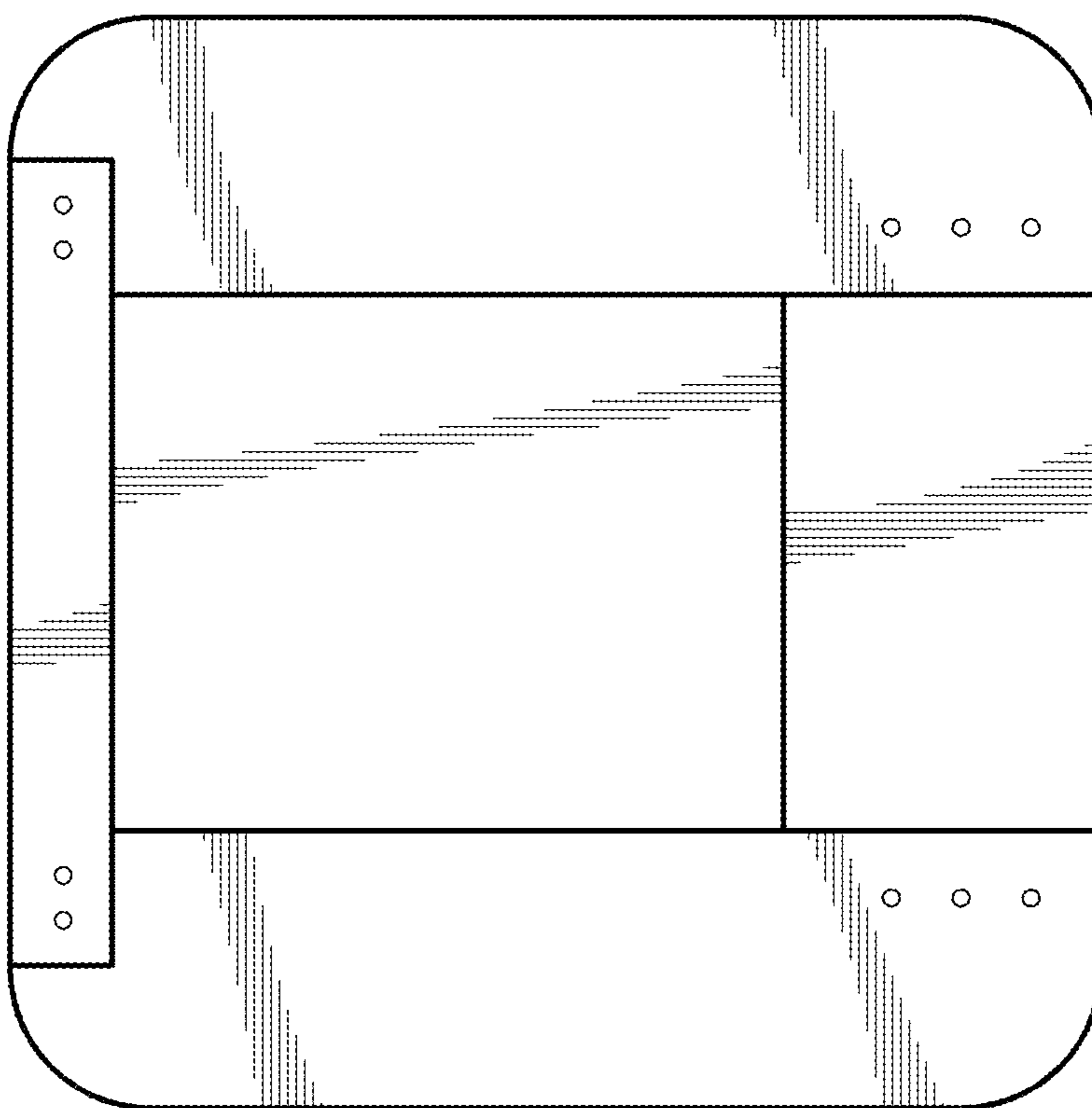
**FIG. 4**



*FIG. 5*



*FIG. 6*



*FIG. 7*