



US00D812212S

(12) **United States Design Patent**
Langford

(10) **Patent No.:** **US D812,212 S**

(45) **Date of Patent:** **** Mar. 6, 2018**

(54) **CONCEALED ROOF VENT**

(71) Applicant: **Joseph Langford**, St. George, UT (US)

(72) Inventor: **Joseph Langford**, St. George, UT (US)

(**) Term: **15 Years**

(21) Appl. No.: **29/570,330**

(22) Filed: **Jul. 7, 2016**

(51) **LOC (11) Cl.** **23-04**

(52) **U.S. Cl.**
USPC **D23/373**

(58) **Field of Classification Search**
USPC D23/370-379, 381-385, 411-414, 360,
D23/314, 335, 332; D26/59, 106, 61-62,
D26/104, 63-65; D32/15, 346
CPC F04D 5/00; F04D 27/00; F24H 3/04
See application file for complete search history.

(56) **References Cited**

U.S. PATENT DOCUMENTS

D124,294 S * 12/1940 Leslie D23/373
D131,009 S * 1/1942 Leslie D23/373

D131,010 S * 1/1942 Leslie D23/373
D132,821 S * 6/1942 Leslie D23/373
D134,477 S * 12/1942 Leslie D23/373
D618,780 S * 6/2010 Williams, Sr. D23/373
D710,985 S * 8/2014 Gassman D23/373
D755,944 S * 5/2016 Daniels D23/373
2017/0284688 A1 * 10/2017 Langford F24F 7/02

* cited by examiner

Primary Examiner — Janice Hallmark

(74) *Attorney, Agent, or Firm* — Gallian, Welker & Beckstrom, L.C.; Robert A. Gurr

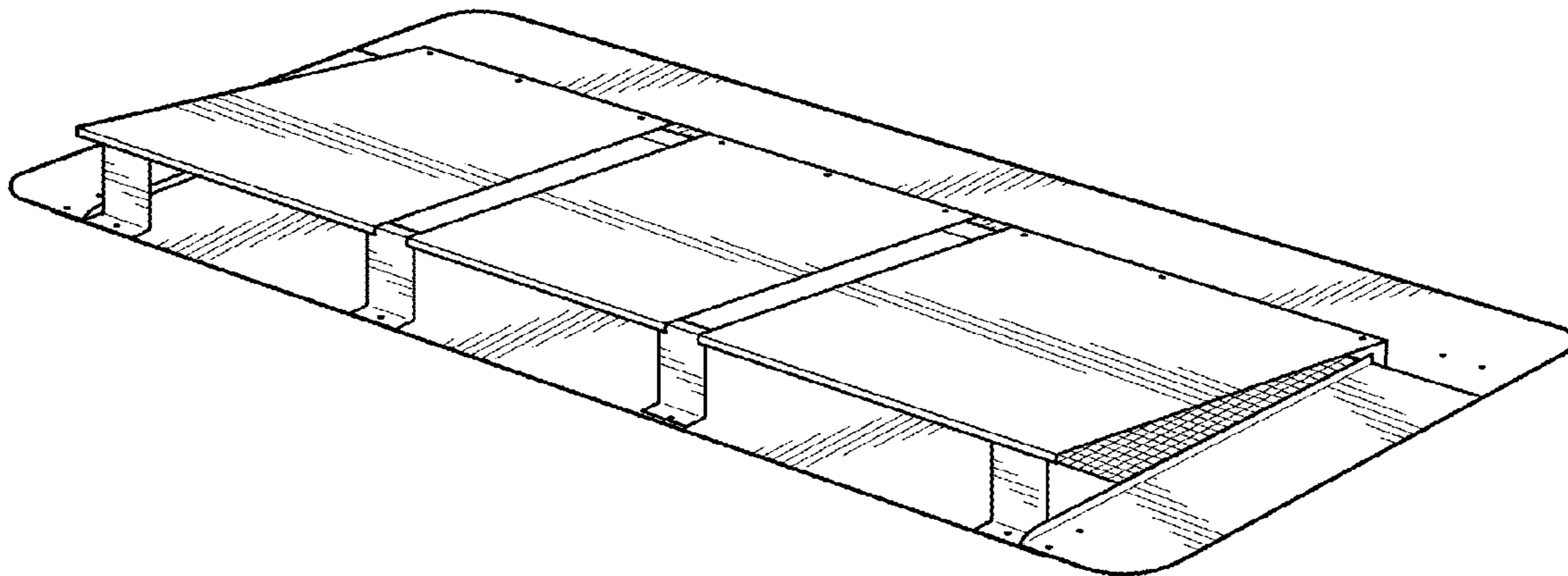
(57) **CLAIM**

The ornamental design for a concealed roof vent, as shown and described.

DESCRIPTION

FIG. 1 is a front perspective view of the concealed roof vent; FIG. 2 is a top plan view of the concealed roof vent; FIG. 3 is a front elevation view of the concealed roof vent; FIG. 4 is a rear elevation view of the concealed roof vent; FIG. 5 is a side elevation view of the concealed roof vent; and, FIG. 6 is a bottom plan view of the concealed roof vent.

1 Claim, 4 Drawing Sheets



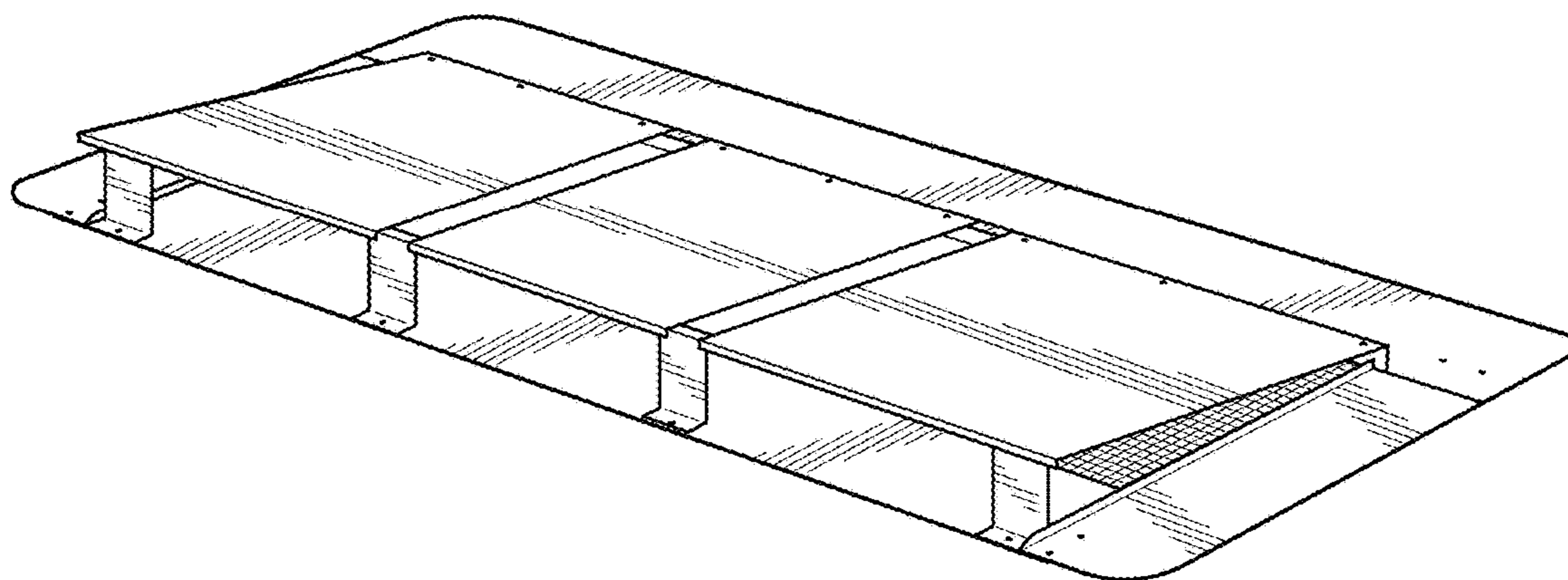


FIG. 1

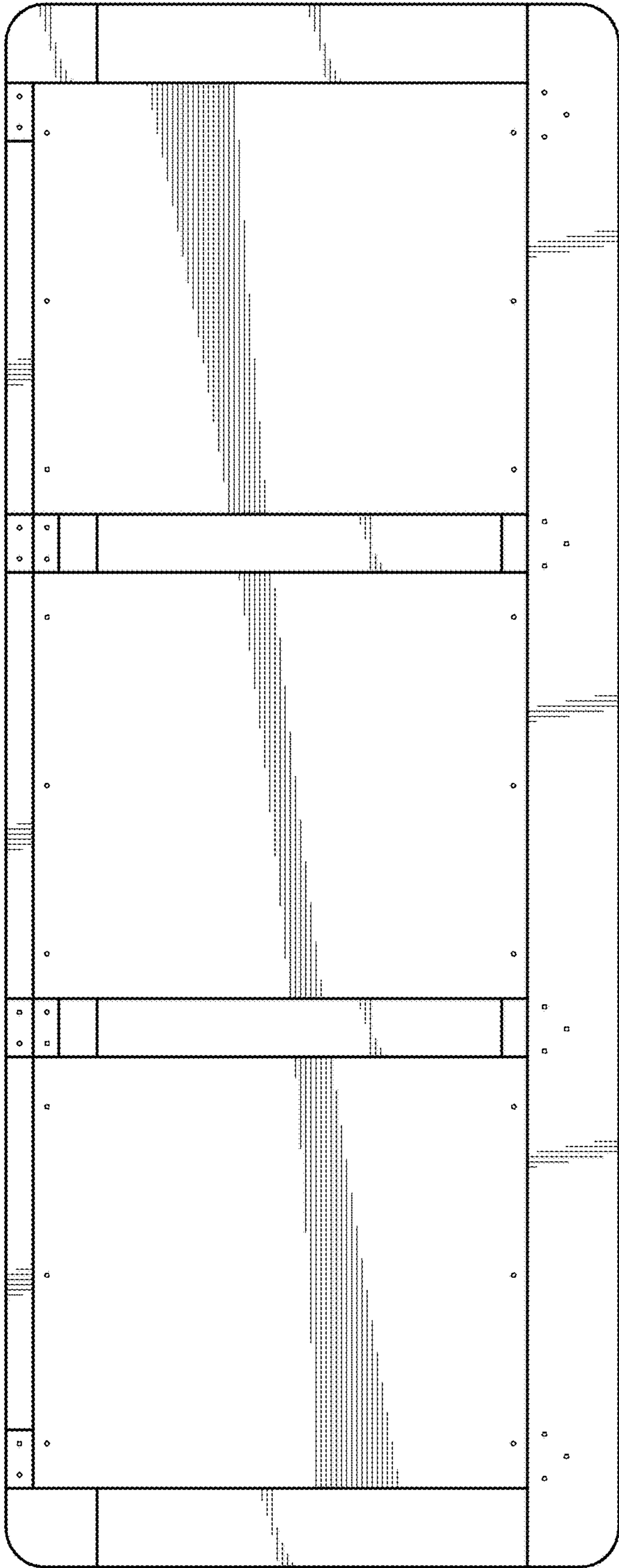


FIG. 2

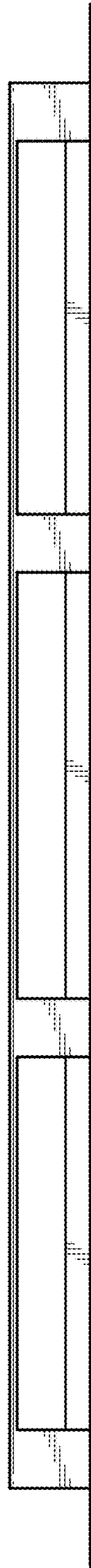


FIG. 3

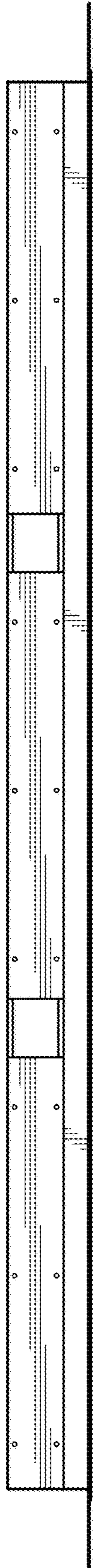


FIG. 4



FIG. 5

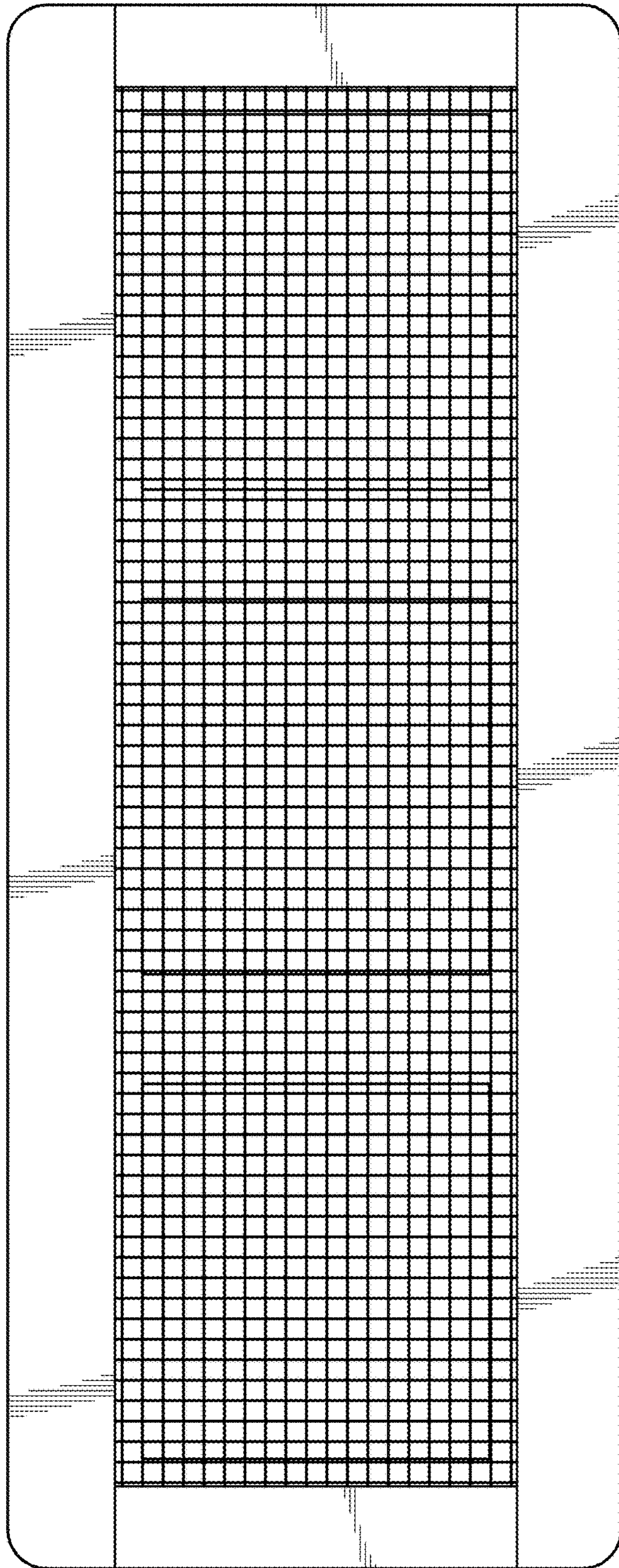


FIG. 6