



US00D812211S

(12) **United States Design Patent** (10) **Patent No.:** **US D812,211 S**  
**Daniels** (45) **Date of Patent:** **\*\* Mar. 6, 2018**

(54) **ROOF VENT WITH FAN**

FOREIGN PATENT DOCUMENTS

(71) Applicant: **Gregory S. Daniels**, Santa Rosa, CA (US)

DE 28 04 301 2/1979  
DE 198 23 356 11/1999

(Continued)

(72) Inventor: **Gregory S. Daniels**, Santa Rosa, CA (US)

OTHER PUBLICATIONS

(\*\*) Term: **15 Years**

Flat-Type Vent. Formfonts.com[online] 1 page. Designed/built 2008 [retrieved on Feb. 12, 2015]. <[http://www.formfonts.com/3D-Model/11030/1/b3020-roof-openings/b3020-roof-openings/b3020-roof-openings/ohagins-concrete-tile-vent-type-flat/](http://www.formfonts.com/3D-Model/11030/1/b3020-roof-openings/b3020-roof-openings/b3020-roof-openings/b3020-roof-openings/ohagins-concrete-tile-vent-type-flat/)>.

(21) Appl. No.: **29/561,146**

(Continued)

(22) Filed: **Apr. 13, 2016**

**Related U.S. Application Data**

(62) Division of application No. 29/484,168, filed on Mar. 6, 2014, now Pat. No. Des. 755,944.

(51) **LOC (11) Cl.** ..... **23-04**

*Primary Examiner* — Susan Bennett Hattan

(52) **U.S. Cl.**

*Assistant Examiner* — Marie D. Fast Horse

USPC ..... **D23/371**; D23/373

(74) *Attorney, Agent, or Firm* — Knobbe Martens Olson & Bear LLP

(58) **Field of Classification Search**

USPC ..... D23/370–376, 349, 353–364, 386–393, D23/411, 499, 385; D26/59, 72, 118; D14/230; 454/185, 341, 365, 366, 368, 454/184, 198–211, 242–244, 248, 454/250–253, 275–277, 284, 287–289, 454/309; 165/244; 422/120; 55/471; D13/102, 156; D25/143, 199; 52/95, 52/173.3

(57) **CLAIM**

CPC .. E04D 1/36; E04D 1/30; E04D 13/00; E04D 13/008; E04D 13/17; E04D 13/174; E04D 13/176; E04D 13/178; F24F 7/025; F24F 11/0001; F24F 11/001; F24F 11/0012; F24F 7/02; F24J 2/4609; F24J 2/5247; H02S 20/23; H02S 20/25

I claim the ornamental design for roof vent with fan, as shown and described.

See application file for complete search history.

**DESCRIPTION**

FIG. 1 is a top perspective view of a roof vent with fan; FIG. 2 is a top view thereof; FIG. 3 is a top view thereof, shown without the upper screen; FIG. 4 is a bottom view of the roof vent with fan of FIG. 1; FIG. 5 is a bottom view thereof, shown without the lower screen; and, FIG. 6 is a left side view of the roof vent with fan of FIG. 1, the right side, front side, and back side being the same. The broken lines in the drawings depict portions of the roof vent with fan that form no part of the claim.

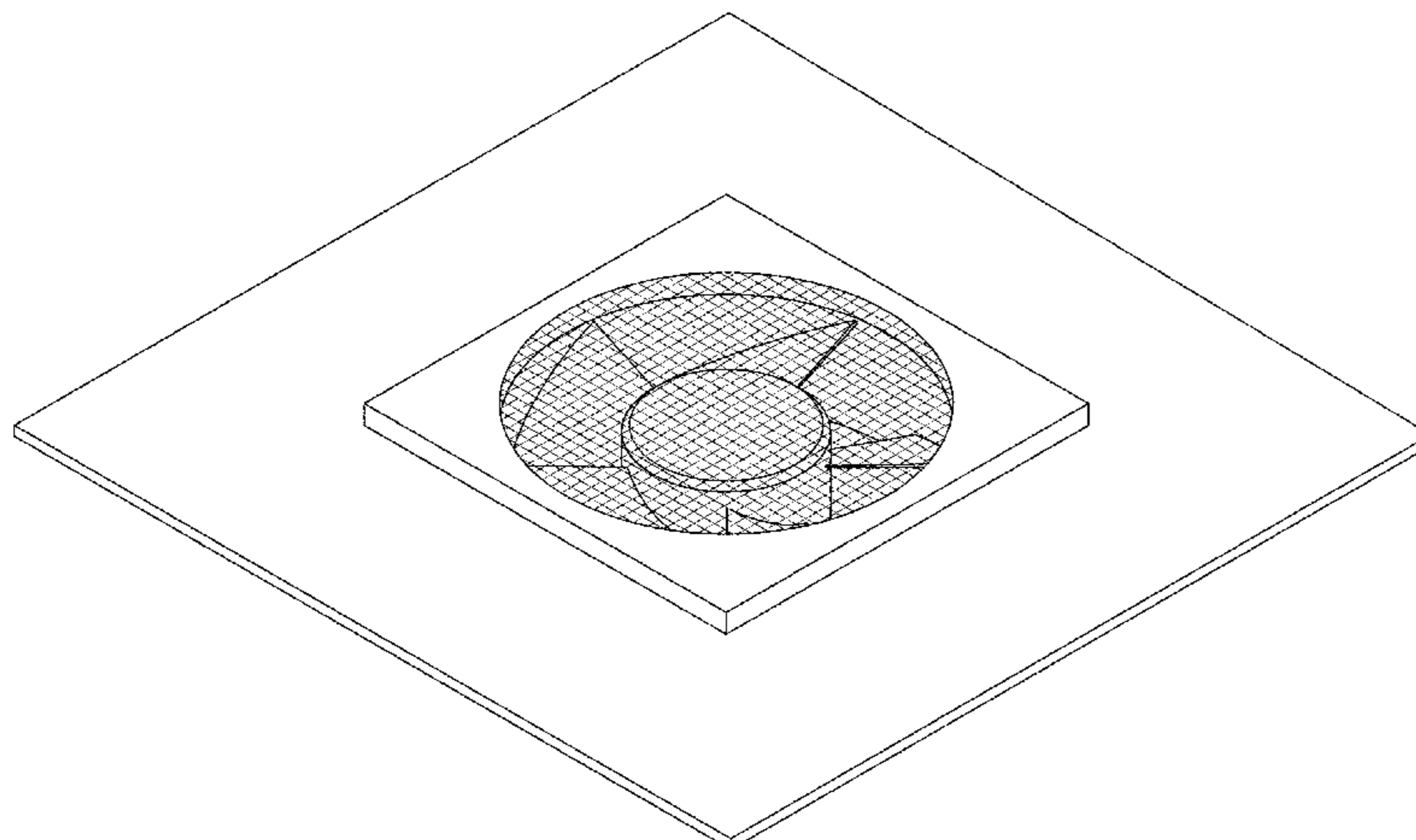
(56) **References Cited**

**U.S. PATENT DOCUMENTS**

D30,059 S 1/1899 Tracy  
2,299,317 A 10/1942 Fink  
D134,477 S 12/1942 Leslie  
2,551,223 A 5/1951 Schneider

(Continued)

**1 Claim, 6 Drawing Sheets**



(56)

References Cited

U.S. PATENT DOCUMENTS

2,638,835 A	5/1953	Strawsine	5,228,925 A	7/1993	Nath et al.
2,692,548 A	10/1954	Knorr	5,232,518 A	8/1993	Nath et al.
2,733,649 A	2/1956	Le Barron	5,238,519 A	8/1993	Nath et al.
3,027,090 A	3/1962	Zerhan, Jr.	5,273,608 A	12/1993	Nath
3,083,633 A	4/1963	Hochberg	5,296,043 A	3/1994	Kawakami et al.
D204,715 S	5/1966	Martin	5,316,592 A	5/1994	Dinwoodie
3,376,164 A	4/1968	Bachwansky	5,326,318 A	7/1994	Rotter
3,459,597 A	8/1969	Baron	5,333,783 A	8/1994	Catan
D215,940 S	11/1969	Kahn	5,364,026 A	11/1994	Kundert
D217,610 S	5/1970	Stoop	5,385,848 A	1/1995	Grimmer
3,553,030 A	1/1971	Lebrun	5,391,235 A	2/1995	Inoue
3,658,596 A	4/1972	Osborne	5,409,549 A	4/1995	Mori
3,769,091 A	10/1973	Leinkram et al.	5,419,781 A	5/1995	Hamakawa et al.
3,888,697 A	6/1975	Bogus et al.	5,437,735 A	8/1995	Younan et al.
3,895,467 A	7/1975	Clement	5,480,494 A	1/1996	Inoue
3,951,336 A	4/1976	Miller et al.	5,486,238 A	1/1996	Nakagawa et al.
4,040,867 A	8/1977	Forestieri et al.	5,505,788 A	4/1996	Dinwoodie
4,051,999 A	10/1977	Granger et al.	5,528,229 A	6/1996	Mehta
D247,510 S	3/1978	Kujawa	5,549,513 A	8/1996	Thomas et al.
4,083,097 A	4/1978	Anagnostou et al.	5,575,861 A	11/1996	Younan et al.
4,097,308 A	6/1978	Klein et al.	5,591,080 A	1/1997	Ward
D249,158 S *	8/1978	Morrow ..... D23/379	5,602,457 A	2/1997	Anderson et al.
4,108,580 A *	8/1978	Felter ..... F04D 29/329 416/60	5,620,368 A	4/1997	Bates et al.
4,189,881 A	2/1980	Hawley	5,636,481 A	6/1997	De Zen
D254,442 S	3/1980	Cervone	D380,823 S	7/1997	Lazar
4,201,121 A	5/1980	Brandenburg, Jr.	5,651,226 A	7/1997	Archibald
4,224,081 A	9/1980	Kawanura et al.	5,672,101 A	9/1997	Thomas
4,228,729 A	10/1980	Messick	5,697,192 A	12/1997	Inoue
4,239,555 A	12/1980	Scharkack et al.	5,697,842 A	12/1997	Donnelly
4,251,026 A	2/1981	Siegel et al.	5,706,617 A	1/1998	Hirai et al.
D259,138 S	5/1981	Giles	5,722,887 A	3/1998	Wolfson et al.
D261,803 S	11/1981	Bohanon, Jr.	5,738,581 A	4/1998	Rickert
4,314,548 A	2/1982	Hanson	5,740,636 A	4/1998	Archard
4,382,435 A	5/1983	Brill-Edwards	5,746,653 A	5/1998	Palmer et al.
4,383,129 A	5/1983	Gupta et al.	5,746,839 A	5/1998	Dinwoodie
4,404,958 A	9/1983	Boettcher	5,766,071 A	6/1998	Kirkwood
4,418,685 A	12/1983	Frazier	D397,431 S	8/1998	Meyer
4,432,273 A	2/1984	Devitt	5,800,631 A	9/1998	Yamada et al.
4,433,200 A	2/1984	Jester et al.	5,816,909 A *	10/1998	Wunder ..... F24F 7/025 454/341
D276,261 S	11/1984	Shaftner	D403,755 S	1/1999	Liang
4,485,264 A	11/1984	Izu et al.	5,879,232 A	3/1999	Luter, II et al.
4,498,267 A	2/1985	Beck	D408,514 S	4/1999	Hornig
4,501,194 A	2/1985	Brown	5,890,322 A	4/1999	Fears
4,510,851 A	4/1985	Sarnosky et al.	D409,741 S	5/1999	Yuen-Ming
4,574,160 A	3/1986	Cull et al.	5,968,287 A	10/1999	Nath
4,594,940 A	6/1986	Wolbrink et al.	5,990,414 A	11/1999	Posnansky
4,602,739 A	7/1986	Sutton, Jr.	6,005,236 A	12/1999	Phelan et al.
D285,829 S	9/1986	Lock	6,008,450 A	12/1999	Ohtsuka et al.
4,625,469 A	12/1986	Gentry et al.	6,036,102 A	3/2000	Pearson
4,633,769 A	1/1987	Milks	6,050,039 A	4/2000	O'Hagin
4,651,805 A	3/1987	Bergeron, Jr.	6,051,774 A	4/2000	Yoshida et al.
4,677,903 A	7/1987	Mathews	D424,186 S *	5/2000	Dodson ..... D23/370
4,692,557 A	9/1987	Samuelson et al.	D424,672 S	5/2000	Nanjo
4,759,272 A	7/1988	Zaniewski	6,061,977 A	5/2000	Toyama et al.
4,803,816 A	2/1989	Klober	6,061,978 A	5/2000	Dinwoodie et al.
4,843,794 A	7/1989	Holtgreve	6,077,159 A	6/2000	Clayton
4,850,166 A	7/1989	Taylor	6,105,317 A	8/2000	Tomuichi et al.
4,860,509 A	8/1989	Laaly et al.	6,129,628 A	10/2000	O'Hagin
4,965,971 A	10/1990	Jean-Jacques et al.	6,155,006 A	12/2000	Mimura et al.
4,977,818 A	12/1990	Taylor et al.	6,220,956 B1	4/2001	Kilian et al.
4,986,469 A	1/1991	Sutton, Jr.	D442,273 S	5/2001	Pestell
5,048,255 A	9/1991	Gonzales	6,241,602 B1	6/2001	Allen
5,049,801 A	9/1991	Potter	6,242,685 B1	6/2001	Mizukami et al.
5,060,444 A	10/1991	Paquette	6,243,995 B1	6/2001	Reeves et al.
5,070,771 A	12/1991	Mankowski	D444,869 S *	7/2001	Yip ..... D23/371
5,078,047 A	1/1992	Wimberly	6,294,724 B1	9/2001	Sasaoka et al.
5,092,939 A	3/1992	Nath et al.	6,306,030 B1	10/2001	Wilson
5,094,697 A	3/1992	Takabayashi et al.	D450,378 S *	11/2001	Minakuchi ..... D23/370
5,121,583 A	6/1992	Hirai et al.	6,311,436 B1	11/2001	Mimura et al.
5,131,200 A	7/1992	McKinnon	6,336,304 B1	1/2002	Mimura et al.
5,131,888 A	7/1992	Adkins, II	6,340,403 B1	1/2002	Carey et al.
5,133,810 A	7/1992	Morizane et al.	6,365,824 B1	4/2002	Nakazima et al.
D332,139 S	12/1992	Courchesne	6,380,477 B1	4/2002	Curtin
5,176,758 A	1/1993	Nath et al.	D457,234 S	5/2002	O'Hagin et al.
			D458,391 S	6/2002	O'Hagin et al.
			D458,392 S	6/2002	O'Hagin et al.
			6,415,559 B1	7/2002	Reeves et al.
			6,418,678 B2	7/2002	Rotter



(56)

References Cited

U.S. PATENT DOCUMENTS

6,439,466 B2	8/2002	Fikes		8,167,216 B2	5/2012	Schultz et al.	
6,447,390 B1	9/2002	O'Hagin		8,292,707 B2	10/2012	Grisham	
6,453,629 B1	9/2002	Nakazima et al.		8,316,592 B2	11/2012	Lanza	
6,459,032 B1	10/2002	Luch		D685,112 S	6/2013	Henriquez	
6,491,579 B1	12/2002	O'Hagin		D685,113 S	6/2013	Henriquez	
6,501,013 B1	12/2002	Dinwoodie		8,479,458 B2	7/2013	Morita et al.	
6,541,693 B2	4/2003	Takada et al.		8,535,128 B2	9/2013	Chwala	
6,553,729 B1	4/2003	Nath et al.		D696,392 S	12/2013	Funnell, II	
6,606,830 B2	8/2003	Nagao et al.		8,607,510 B2	12/2013	Daniels	
D479,885 S	9/2003	O'Hagin et al.		8,608,533 B2	12/2013	Daniels	
6,695,692 B1	2/2004	York		D702,287 S	4/2014	Mase et al.	
D489,834 S *	5/2004	Weston .....	D25/199	D703,305 S	4/2014	Stollenwerk	
6,729,081 B2	5/2004	Nath et al.		8,701,360 B2	4/2014	Ressler	
6,730,841 B2	5/2004	Heckeroth		8,740,678 B2	6/2014	Railkar et al.	
6,767,762 B2	7/2004	Guha		8,776,455 B2	7/2014	Azoulay	
6,799,742 B2	10/2004	Nakamura et al.		8,782,967 B2	7/2014	Daniels	
D503,156 S	3/2005	Provenzano		8,793,943 B2	8/2014	Daniels	
6,870,087 B1	3/2005	Gallagher		D713,953 S	9/2014	Jepson	
D503,790 S	4/2005	Dodge et al.		D719,253 S	12/2014	Francescon	
D504,172 S	4/2005	O'Hagin		9,011,221 B2 *	4/2015	Daniels .....	F24F 7/02 454/366
6,875,914 B2	4/2005	Guha et al.		D748,239 S *	1/2016	Daniels .....	D23/373
D505,195 S	5/2005	Snyder		D755,944 S *	5/2016	Daniels .....	D23/373
6,928,775 B2	8/2005	Banister		D779,650 S	2/2017	Poehlman	
6,941,706 B2	9/2005	Austin et al.		D788,281 S	5/2017	Daniels	
D512,774 S	12/2005	O'Hagin		D788,902 S	6/2017	Daniels	
D518,158 S	3/2006	Cho		D796,661 S	9/2017	Oswald	
D519,219 S	4/2006	Dodge		2001/0027804 A1	10/2001	Inoue et al.	
D520,149 S	5/2006	Dodge		2001/0040201 A1	11/2001	Paxton	
7,044,852 B2	5/2006	Horton		2002/0036010 A1	3/2002	Yamawaki	
7,053,294 B2	5/2006	Tuttle et al.		2002/0104562 A1	8/2002	Emoto et al.	
7,097,557 B2	8/2006	Kutschman		2003/0000158 A1	1/2003	Borges	
D527,813 S	9/2006	Dodge		2003/0159802 A1	8/2003	Steneby et al.	
D527,836 S	9/2006	O'Hagin		2004/0031219 A1	2/2004	Banister	
7,101,279 B2	9/2006	O'Hagin et al.		2004/0098932 A1	5/2004	Broatch	
D536,778 S	2/2007	O'Hagin		2005/0074915 A1	4/2005	Tuttle et al.	
D537,519 S *	2/2007	Sigillo .....	D23/393	2005/0127379 A1	6/2005	Nakata	
7,176,543 B2	2/2007	Beernink		2005/0130581 A1	6/2005	Dodge	
7,178,295 B2	2/2007	Dinwoodie		2005/0144963 A1	7/2005	Peterson et al.	
7,250,000 B2	7/2007	Daniels, II		2005/0176270 A1	8/2005	Luch	
D549,316 S	8/2007	O'Hagin		2005/0178429 A1	8/2005	McCaskill et al.	
D555,237 S	11/2007	O'Hagin		2005/0191957 A1	9/2005	Demetry et al.	
7,320,774 B2	1/2008	Simmons et al.		2005/0233691 A1	10/2005	Horton	
D562,993 S	2/2008	Shepherd		2005/0239393 A1	10/2005	Reese	
7,365,266 B2	4/2008	Heckeroth		2005/0239394 A1	10/2005	O'Hagin	
D578,633 S	10/2008	Schluter		2005/0263178 A1	12/2005	Montello et al.	
D579,096 S	10/2008	Guzorek		2005/0263179 A1	12/2005	Gaudiana et al.	
D580,542 S *	11/2008	Miyake .....	D23/385	2005/0263180 A1	12/2005	Montello et al.	
D582,905 S	12/2008	Takisawa et al.		2005/0274408 A1	12/2005	Li et al.	
7,469,508 B2	12/2008	Ceria		2006/0017154 A1	1/2006	Eguchi et al.	
7,470,179 B1	12/2008	Ritter et al.		2006/0032527 A1	2/2006	Stevens et al.	
D588,255 S	3/2009	Daniels		2006/0052047 A1	3/2006	Daniels, II	
D588,256 S	3/2009	Daniels		2006/0052051 A1	3/2006	Daniels	
D589,134 S	3/2009	O'Hagin et al.		2006/0086384 A1	4/2006	Nakata	
7,497,774 B2	3/2009	Stevenson et al.		2006/0124827 A1	6/2006	Janus et al.	
7,506,477 B2	3/2009	Flaherty et al.		2006/0199527 A1 *	9/2006	Peters .....	F24F 7/02 454/347
7,507,151 B1	3/2009	Parker et al.		2006/0223437 A1	10/2006	O'Hagin	
7,509,775 B2	3/2009	Flaherty et al.		2007/0049190 A1	3/2007	Singh	
7,517,465 B2	4/2009	Guha et al.		2007/0066216 A1	3/2007	McIntire	
D593,193 S *	5/2009	Jackson .....	D23/371	2007/0067063 A1	3/2007	Ahmed	
7,531,740 B2	5/2009	Flaherty et al.		2007/0072541 A1	3/2007	Daniels et al.	
D595,402 S *	6/2009	Miyake .....	D23/385	2007/0084501 A1	4/2007	Kalberlah et al.	
7,578,102 B2	8/2009	Banister		2007/0094953 A1	5/2007	Galeazzo et al.	
7,587,864 B2	9/2009	McCaskill et al.		2007/0173191 A1	7/2007	Daniels	
7,618,310 B2	11/2009	Daniels		2007/0178827 A1 *	8/2007	Erni .....	F24F 7/025 454/353
7,642,449 B2	1/2010	Korman et al.		2007/0184775 A1	8/2007	Perkins	
D610,245 S	2/2010	Daniels		2007/0207725 A1	9/2007	O'Hagin	
D612,040 S	3/2010	Daniels		2007/0243820 A1	10/2007	O'Hagin	
7,678,990 B2	3/2010	McCaskill et al.		2007/0246095 A1	10/2007	Schaefer	
D618,780 S	6/2010	Williams		2008/0040990 A1	2/2008	Vendig et al.	
7,736,940 B2	6/2010	Basol		2008/0098672 A1	5/2008	O'Hagin	
7,757,440 B2	7/2010	Austin et al.		2008/0220714 A1	9/2008	Caruso et al.	
D625,800 S	10/2010	Daniels		2008/0287053 A1	11/2008	Carlson et al.	
7,901,278 B2	3/2011	O'Hagin		2008/0287054 A1	11/2008	Carlson et al.	
8,079,898 B1	12/2011	Stevenson		2008/0299892 A1	12/2008	Robinson	
D654,161 S	2/2012	Holland		2009/0203308 A1	8/2009	O'Hagin et al.	
				2009/0253368 A1	10/2009	Rotter	

(56)

References Cited

U.S. PATENT DOCUMENTS

2009/0286463	A1	11/2009	Daniels	
2009/0311959	A1	12/2009	Shephard	
2010/0064605	A1	3/2010	Corvaglia et al.	
2010/0068985	A1	3/2010	Park	
2010/0229940	A1	9/2010	Basol	
2010/0287852	A1	11/2010	Bortoletto	
2010/0300128	A1	12/2010	Chen	
2010/0330898	A1	12/2010	Daniels	
2011/0294412	A1	12/2011	Vagedes	
2012/0110924	A1	5/2012	Makin	
2012/0151856	A1	6/2012	Azoulay	
2012/0178357	A1	7/2012	Rheaume	
2012/0190288	A1	7/2012	Willen	
2012/0252348	A1	10/2012	Rheaume	
2012/0322359	A1	12/2012	Chen et al.	
2013/0040553	A1	2/2013	Potter	
2013/0078903	A1	3/2013	Mantyla	
2013/0247480	A1	9/2013	Ridgway	
2014/0065944	A1	3/2014	Chamness	
2014/0099878	A1	4/2014	Daniels	
2014/0248834	A1	9/2014	Kolt et al.	
2015/0143760	A1*	5/2015	Daniels .....	E04D 13/00 52/173.1
2015/0253021	A1*	9/2015	Daniels .....	E04D 1/30 454/341

FOREIGN PATENT DOCUMENTS

GB	2183819	6/1987
GB	2279453	1/1995
GB	2345536	7/2000

JP	59-060138	4/1984
JP	H06 13304	1/1994
JP	06-241517	8/1994
JP	06-272920	9/1994
JP	09-158428	6/1997
JP	10-061133	3/1998
JP	11-044035	2/1999
JP	11-229576	8/1999
JP	2000-274032	10/2000
JP	2002 357344	12/2002
JP	2004-092298	3/2004
JP	2007-534924	11/2007
WO	WO 05/108708	11/2005
WO	WO 2013/106882	7/2013

OTHER PUBLICATIONS

Roof Vents (1/8—Designs—© Questel). Orbit.com [online PDF] 27 pages. Uploaded 2014 [retrieved on Feb. 12, 2015]. Retrieved from Internet: <<http://sobjprd.questel.fr/export/QPTUJ214/pdf2/5f7850ea-f617-4548-bc47-08c3edb41ca0-222833.pdf>>.

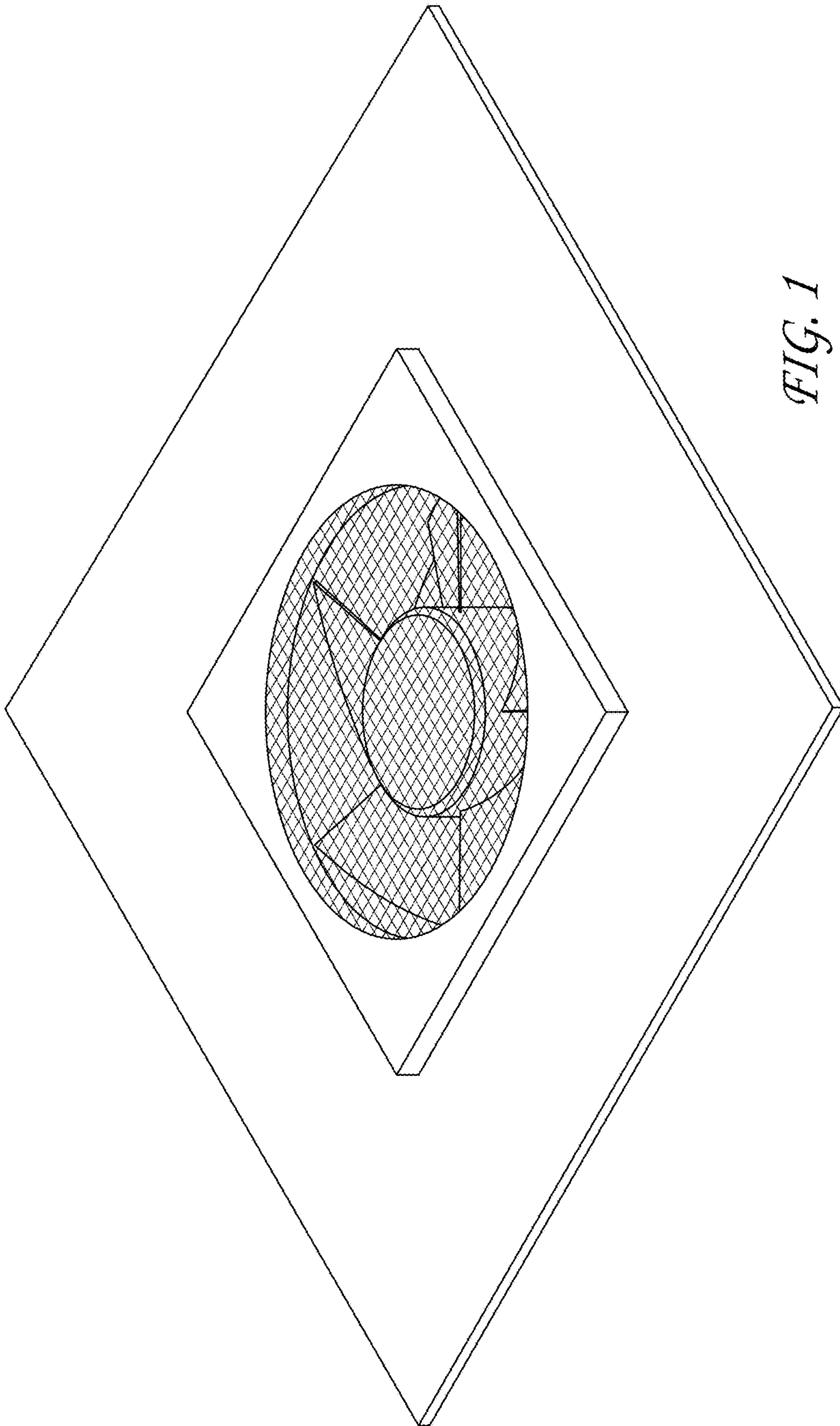
S-Type Vent. Formfomts.com [online] 1 page. Designed/built 2008 [retrieved on Feb. 12, 2015]. <<http://www.formfomts.com/3D-Model/11032/shell/b3010-roof-coverings/b3020-roof-openings/ohagins-concrete-tile-vent-type/>>.

M-Type Vent. Formfomts.com [online] 1 page. Designed/built 2008 [retrieved on Feb. 12, 2015]. <<http://www.formfomts.com/3D-Model/1/11031/1/shell/b30-roofing/b3010-roof-coverings/b3020-roof-openings/ohagins-concrete-tile-vent-type-config/>>.

Extended European Search Report in App. No. 14884739.5, dated Sep. 9, 2017.

\* cited by examiner





*FIG. 1*

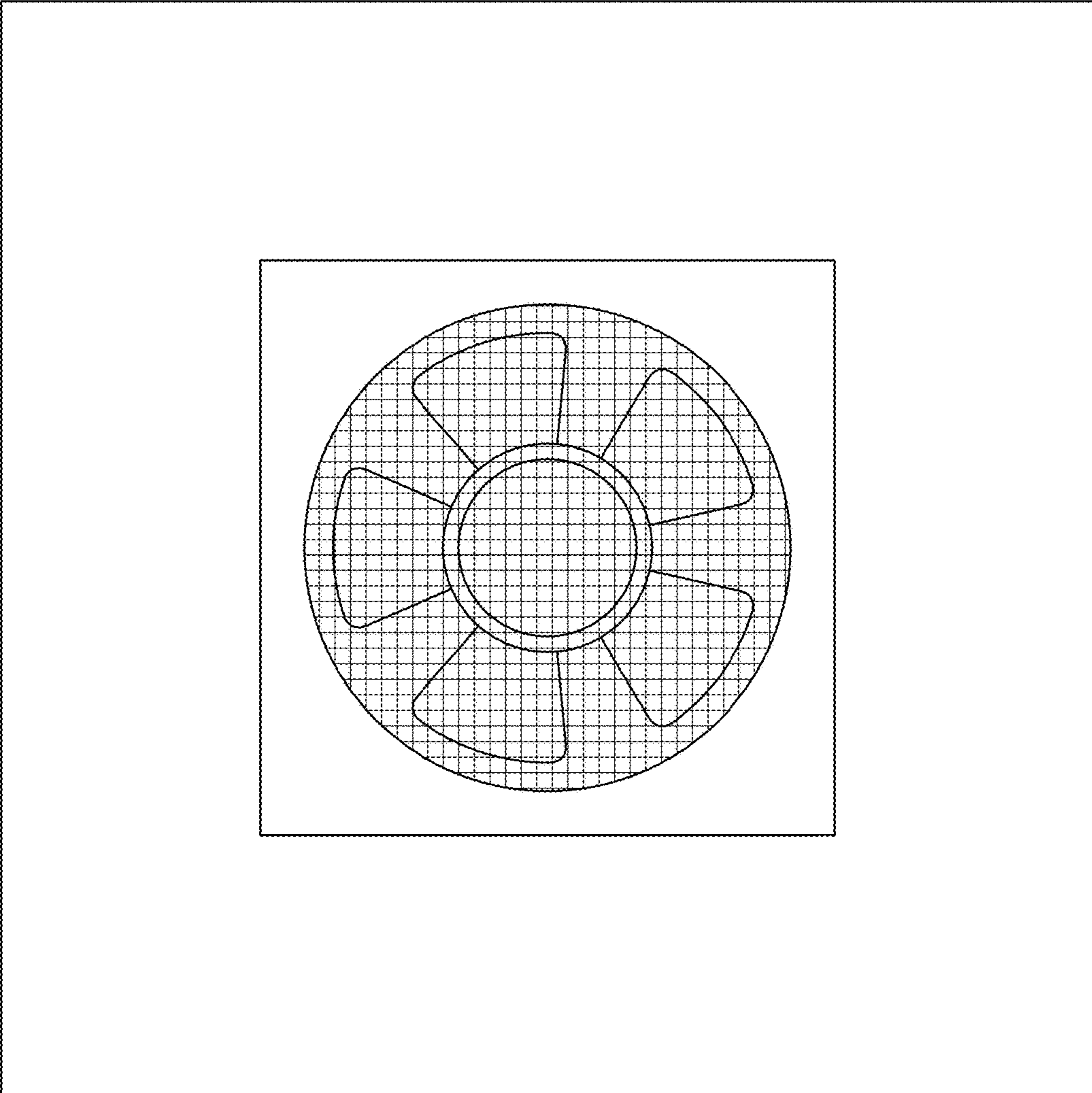


FIG. 2

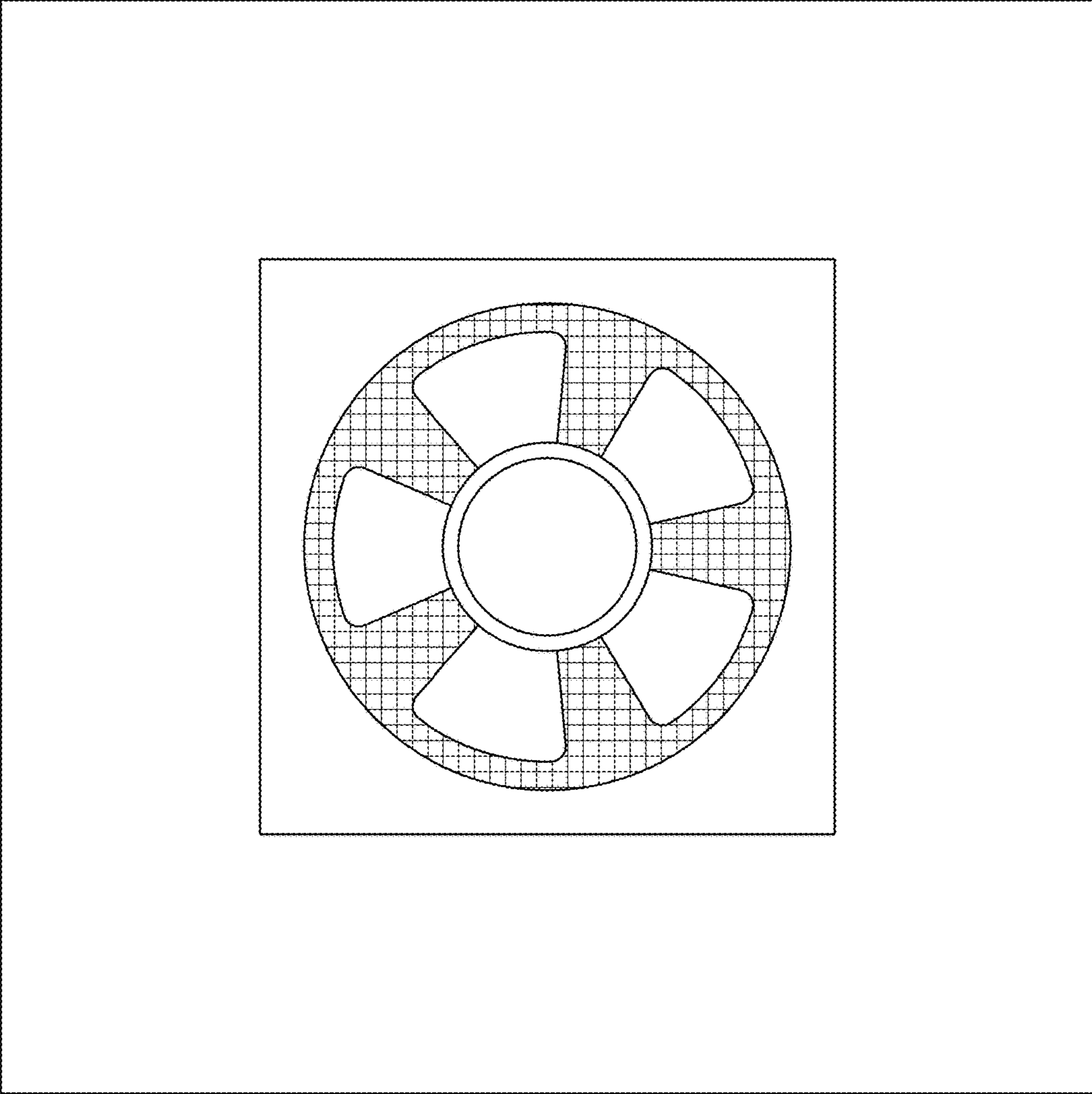


FIG. 3

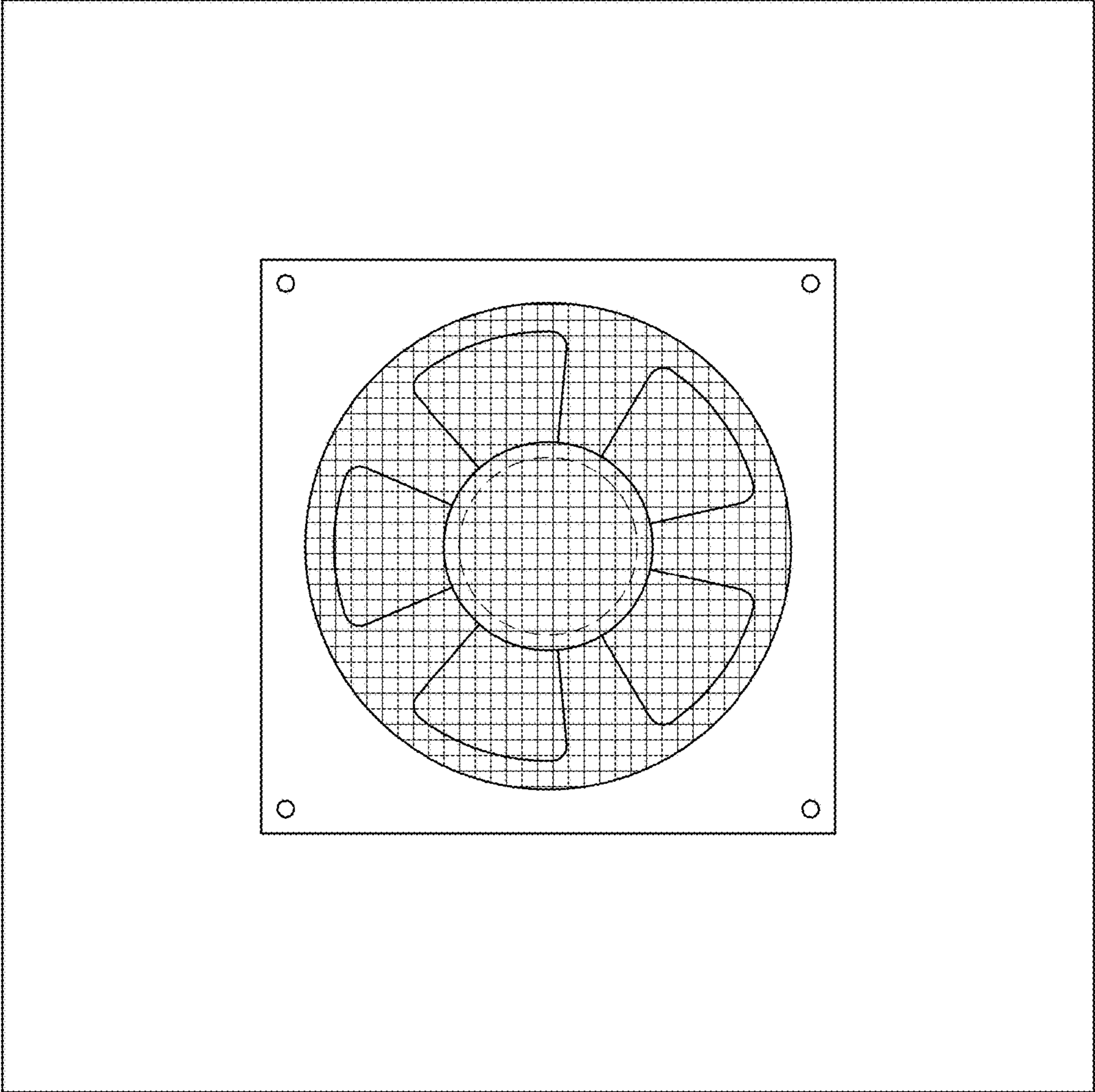


FIG. 4



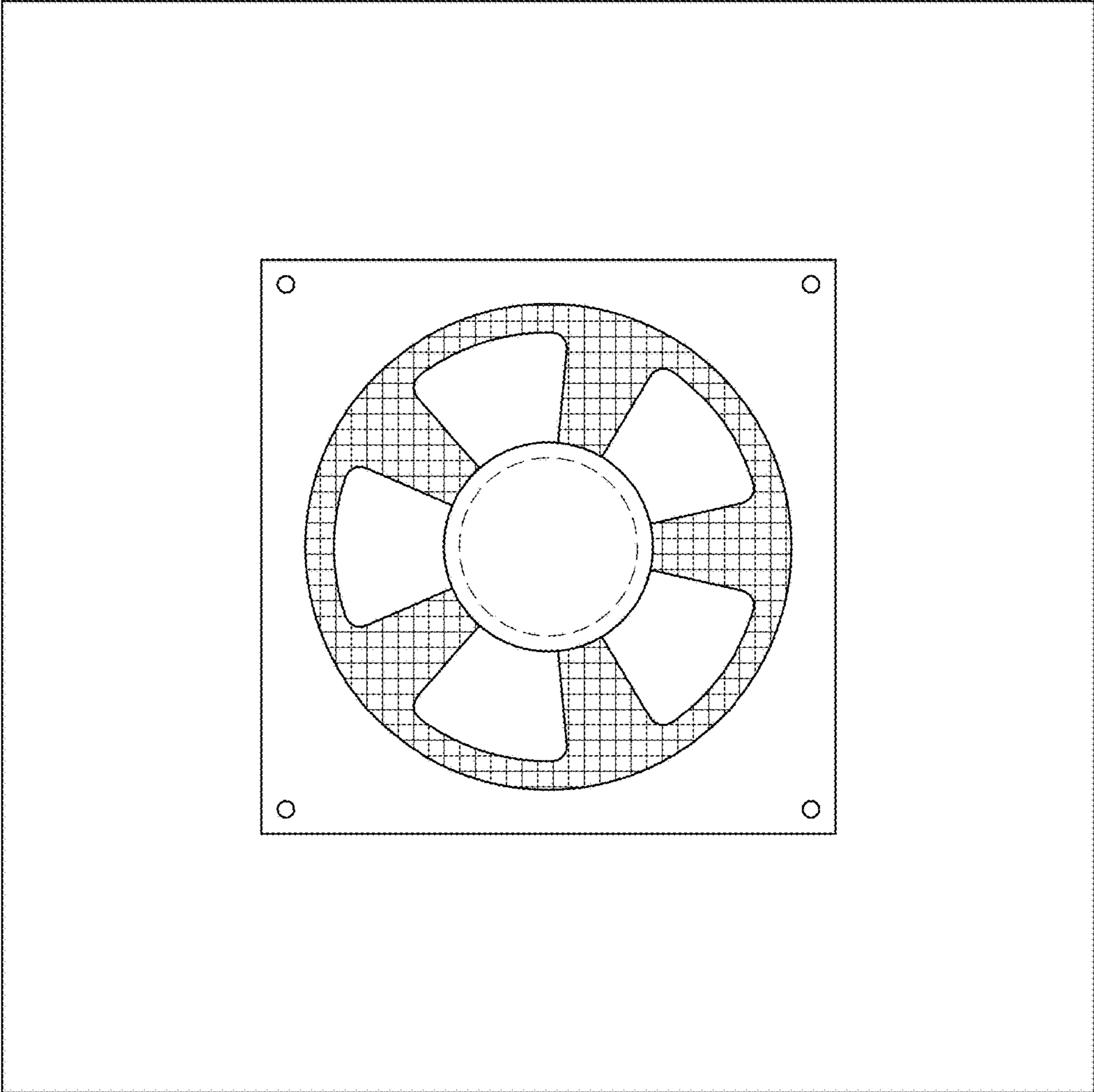
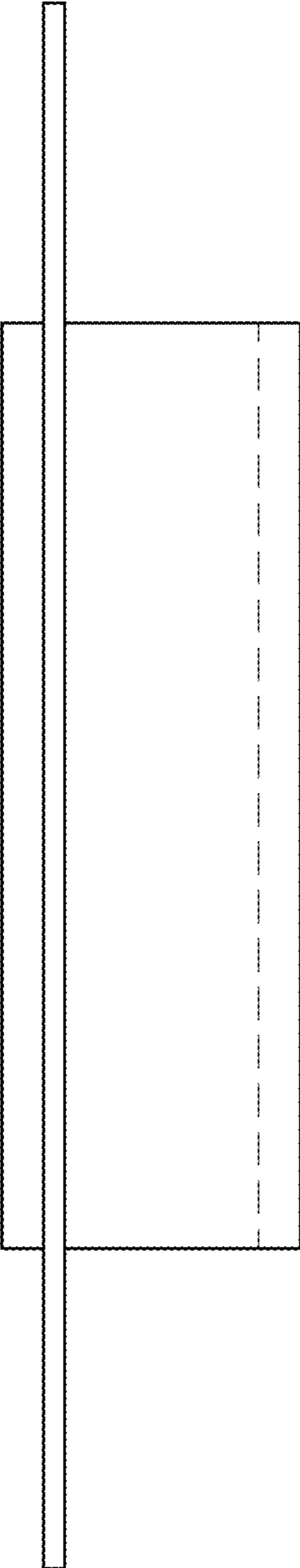


FIG. 5



*FIG. 6*