



US00D812208S

(12) **United States Design Patent**
Samuels

(10) **Patent No.:** **US D812,208 S**
(45) **Date of Patent:** **** Mar. 6, 2018**

(54) **WINDOW AIR-CONDITIONING UNIT COVER**

(71) Applicant: **Monica Samuels**, Jamaica, NY (US)

(72) Inventor: **Monica Samuels**, Jamaica, NY (US)

(**) Term: **15 Years**

(21) Appl. No.: **29/575,164**

(22) Filed: **Aug. 23, 2016**

(51) **LOC (11) Cl.** **23-04**

(52) **U.S. Cl.**
USPC **D23/351**

(58) **Field of Classification Search**
USPC D23/333, 335, 341, 342, 351, 353, 354,
D23/355, 356, 359, 364, 365, 370, 385,
D23/386, 388, 393
CPC F24F 1/00; F24F 1/0007; F24F 1/02; F24F
1/08; F24F 1/42; F24F 1/56; F24F 1/60;
F24F 3/044; F24F 3/048; F24F 3/16;
F24F 7/00; F24F 7/04; F24F 12/001;
F24F 12/006

See application file for complete search history.

(56) **References Cited**

U.S. PATENT DOCUMENTS

4,325,229	A	4/1982	DeZurik	
D276,070	S *	10/1984	Giles	D23/354
4,625,784	A	12/1986	Boroson	
4,788,805	A	12/1988	Shaw	
5,125,197	A	6/1992	Fuchs	
D394,901	S *	6/1998	Governale	D23/351

D558,864	S *	1/2008	Yoo	D23/351
D558,865	S *	1/2008	Yoo	D23/351
D619,236	S *	7/2010	Schlag	D23/351
D636,474	S *	4/2011	Choi	D23/351
D657,032	S *	4/2012	Chouji	D23/351
D657,033	S *	4/2012	Chouji	D23/351
D702,335	S *	4/2014	Saitou	D23/351
D726,295	S *	4/2015	Kim	D23/351
D736,363	S *	8/2015	Pereira	D23/354
D762,290	S *	7/2016	Jepson	D23/342
D790,052	S *	6/2017	Ha	D23/370
2007/0011930	A1	1/2007	Yarmosh	
2013/0174882	A1	7/2013	Ellenbecker	

FOREIGN PATENT DOCUMENTS

WO 20112128168 A1 10/2011

* cited by examiner

Primary Examiner — George D. Kirschbaum

Assistant Examiner — Natasha Vujcic

(57) **CLAIM**

I claim the ornamental design for a window air-conditioning unit cover, as shown and described.

DESCRIPTION

FIG. 1 is a rear view of the window air-conditioning unit cover.

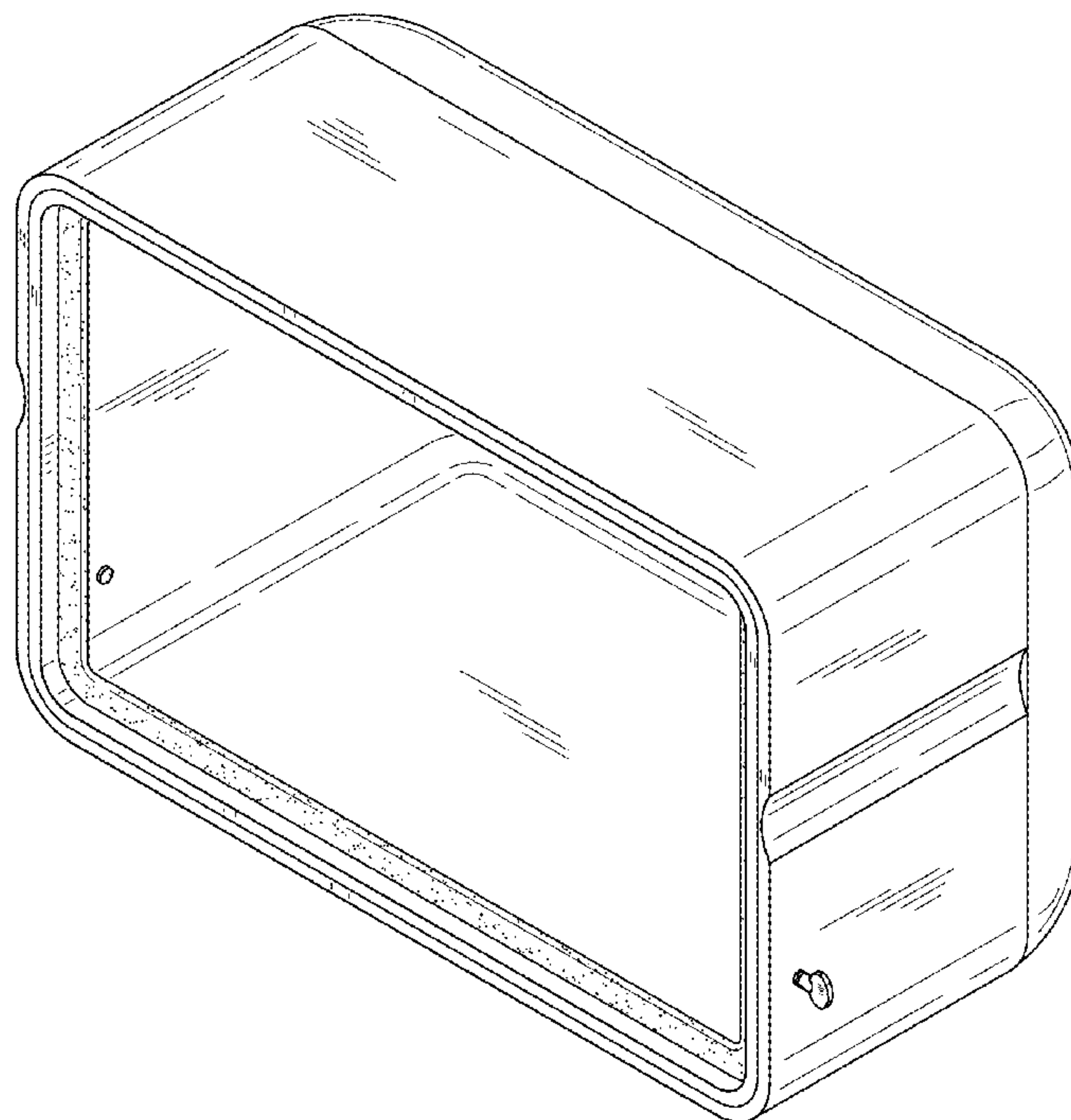
FIG. 2 is a front view of the claimed design.

FIG. 3 is a side view of the claimed design.

FIG. 4 is a top view of the claimed design; and,

FIG. 5 is a rear, perspective view of the claimed design.

1 Claim, 5 Drawing Sheets



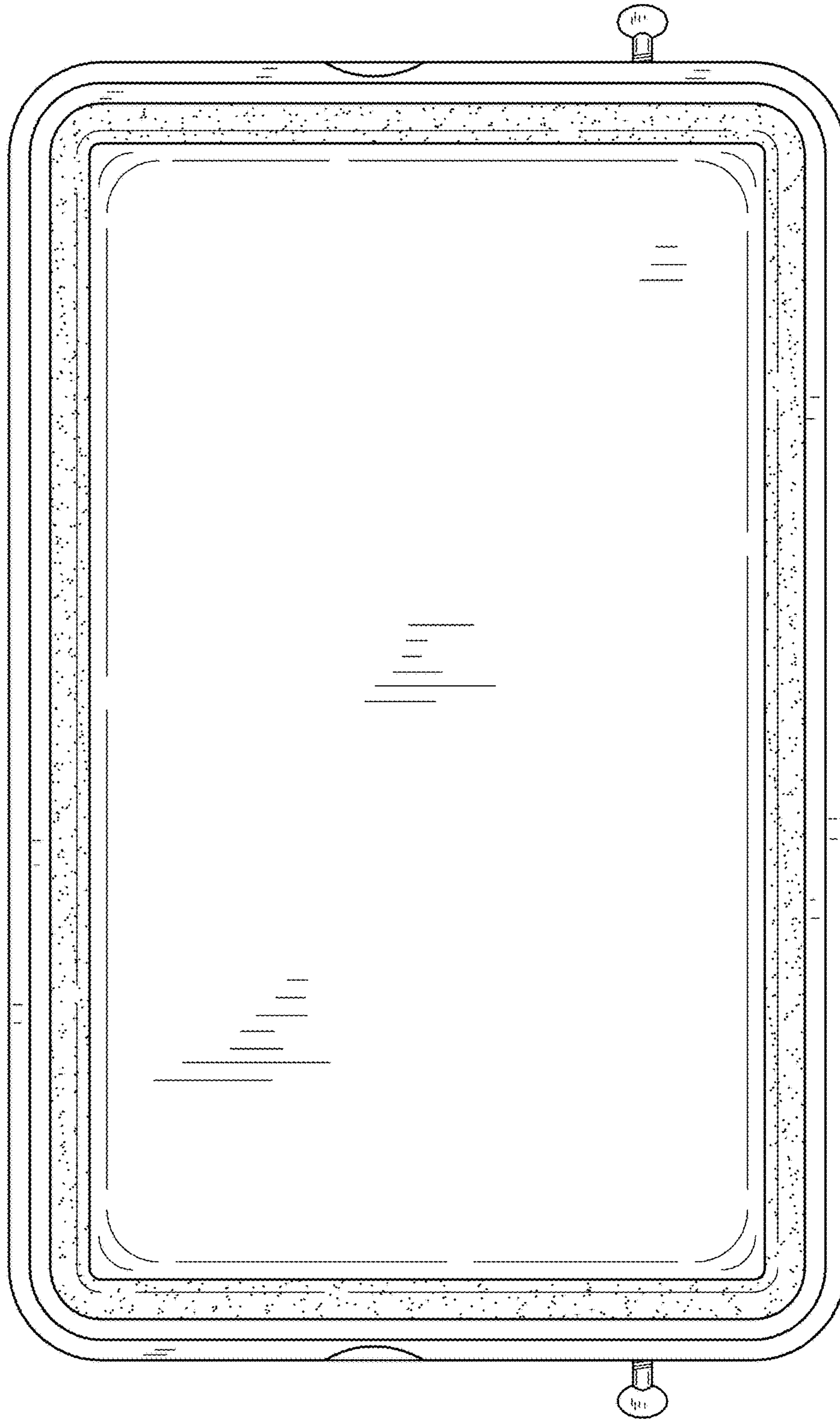


FIG. 1

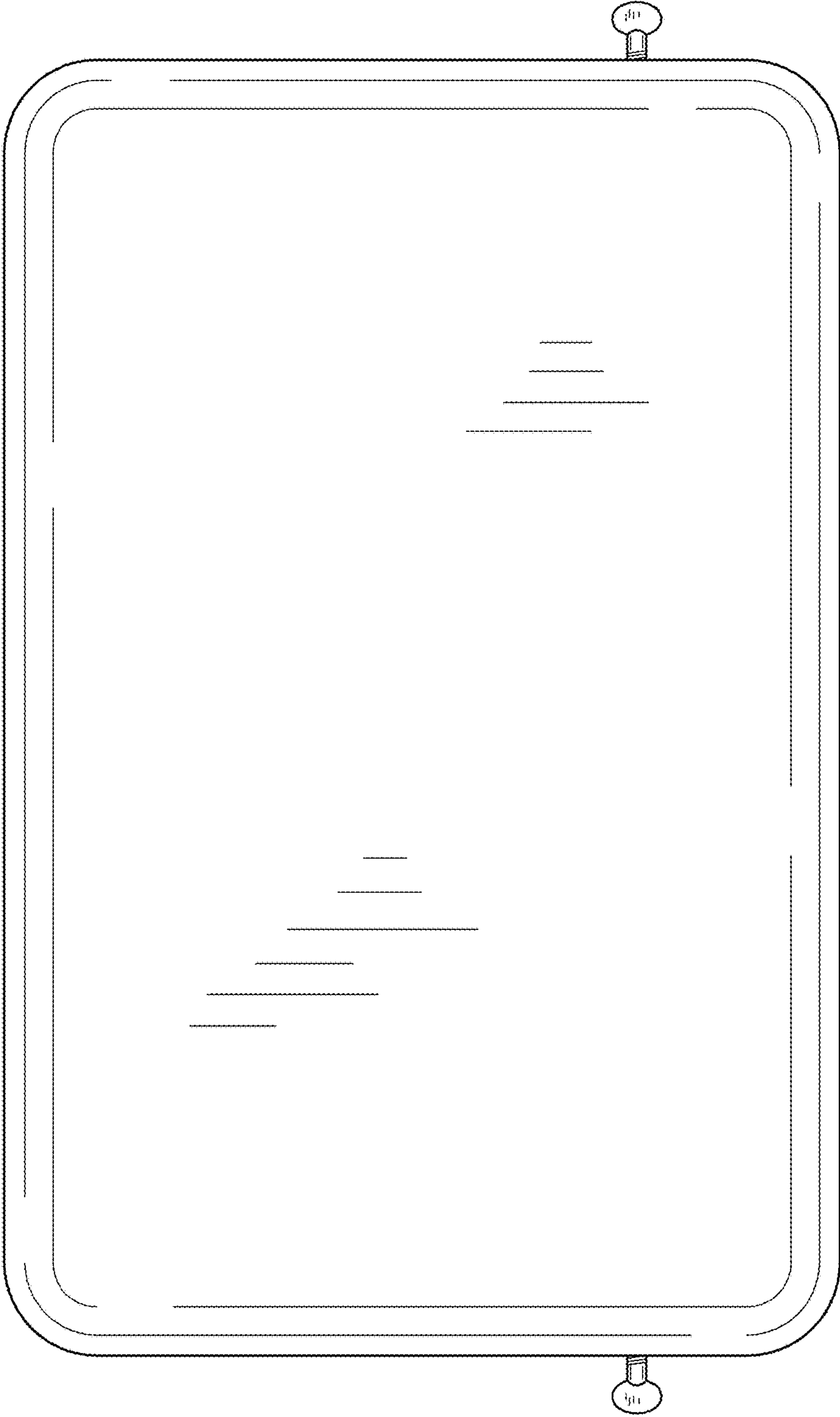


FIG. 2

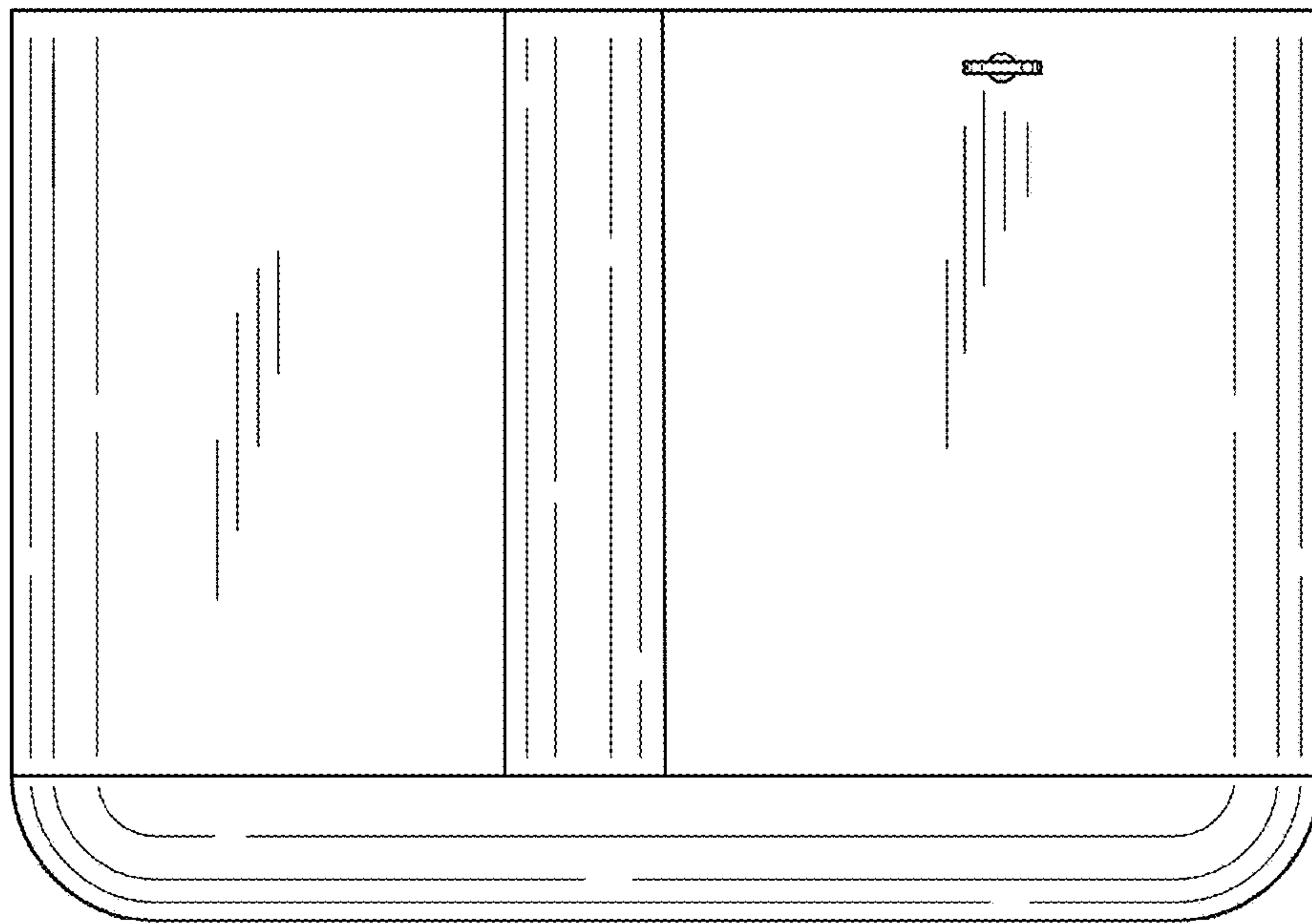


FIG. 3

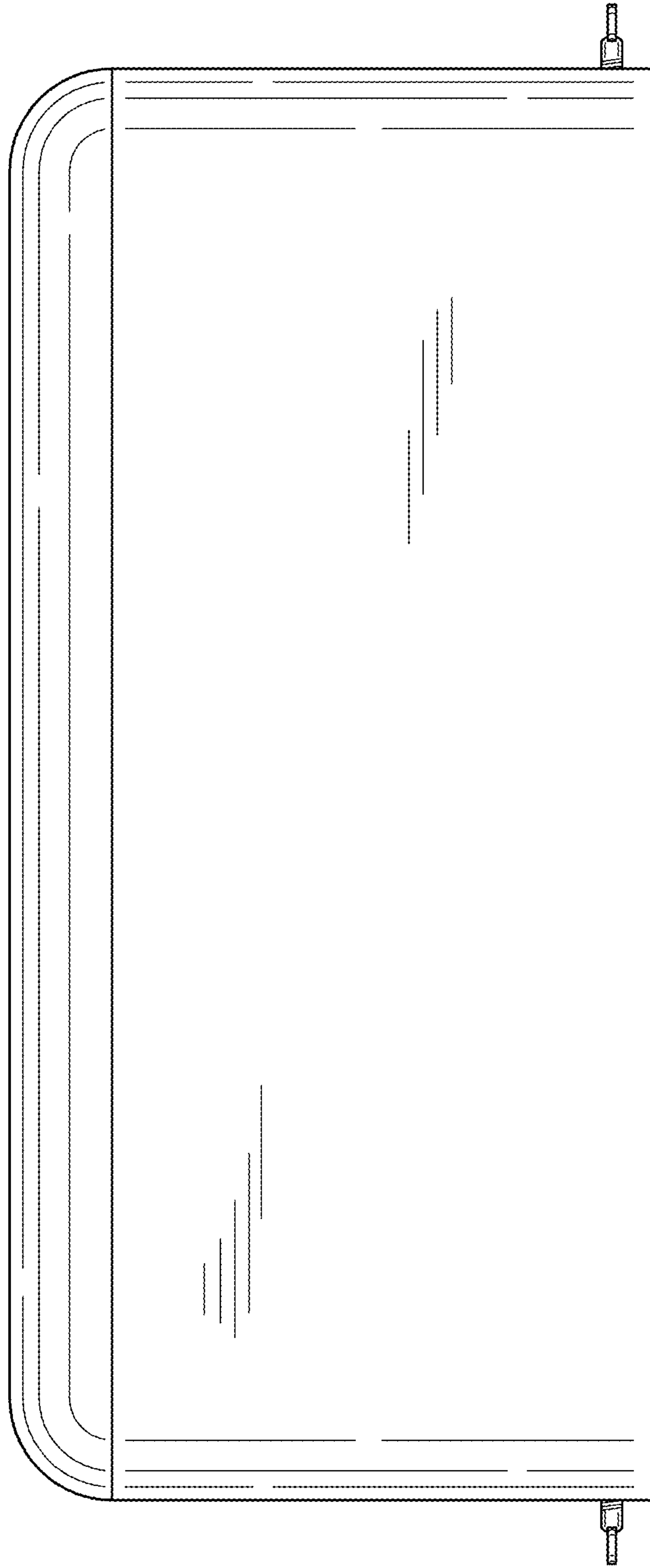


FIG. 4

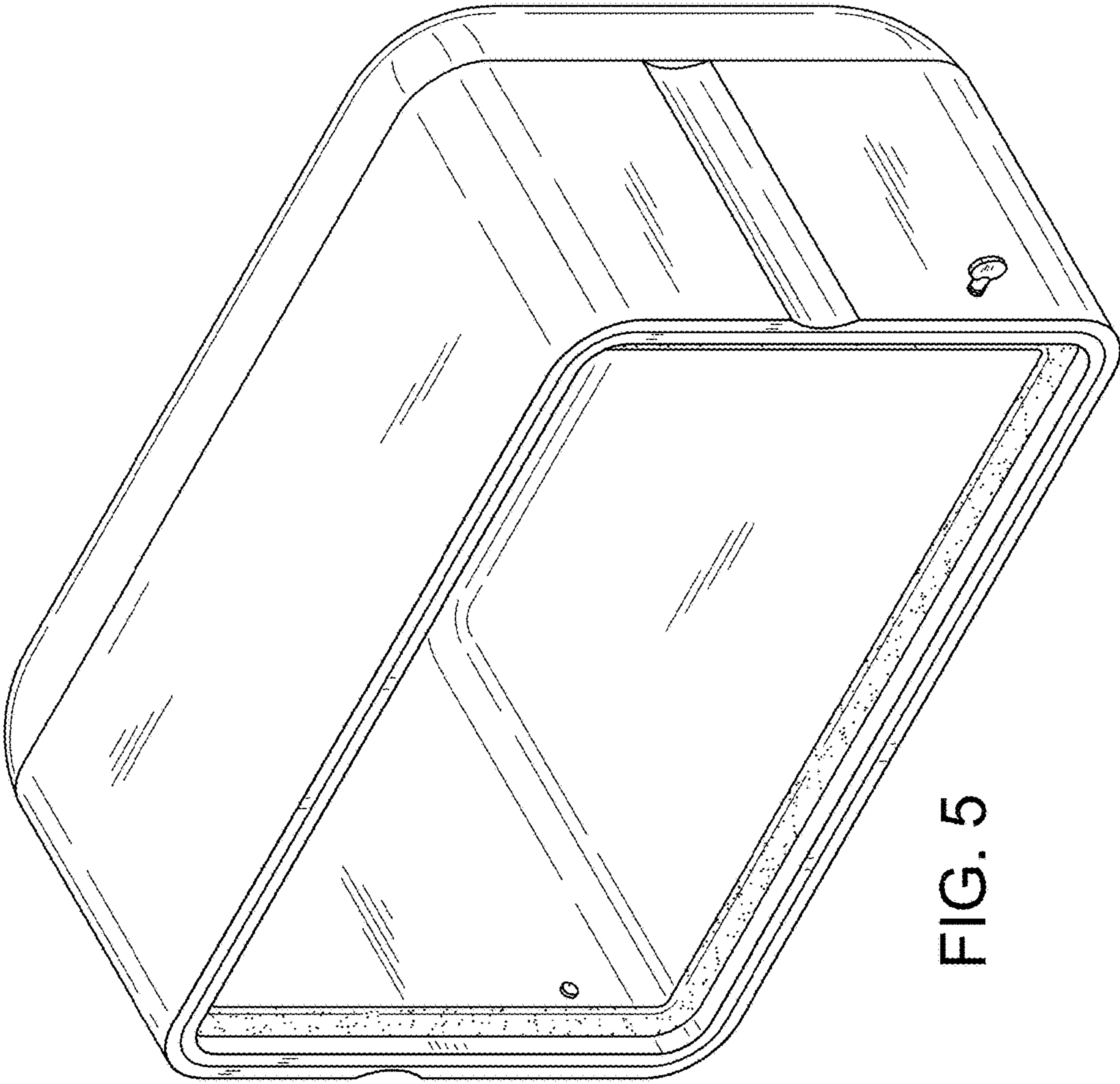


FIG. 5