

US00D812207S

(12) **United States Design Patent** (10) **Patent No.:** **US D812,207 S**
Terasaki et al. (45) **Date of Patent:** **** Mar. 6, 2018**

(54) **AIR CONDITIONER** F24F 7/00; F24F 7/04; F24F 12/001;
F24F 12/006

(71) Applicant: **TOSHIBA CARRIER CORPORATION**, Kawasaki-shi, Kanagawa (JP) See application file for complete search history.

(72) Inventors: **Akira Terasaki**, Fuji (JP); **Takeshi Ozaki**, Fuji (JP); **Atsushi Tanabe**, Fuji (JP); **Takanori Hino**, Fuji (JP)

(73) Assignee: **TOSHIBA CARRIER CORPORATION**, Kawasaki-shi (JP)

(**) Term: **15 Years**

(21) Appl. No.: **29/574,038**

(22) Filed: **Aug. 11, 2016**

(30) **Foreign Application Priority Data**

Feb. 12, 2016	(JP)	2016-003017
Feb. 12, 2016	(JP)	2016-003018
Feb. 18, 2016	(JP)	2016-003513
Feb. 18, 2016	(JP)	2016-003516
Feb. 18, 2016	(JP)	2016-003517
Feb. 18, 2016	(JP)	2016-003518
Feb. 18, 2016	(JP)	2016-003519

(51) **LOC (11) Cl.** **23-04**

(52) **U.S. Cl.**
USPC **D23/351**

(58) **Field of Classification Search**
USPC D23/333, 335, 341, 342, 351, 353, 354,
D23/355, 356, 359, 364, 365, 370, 385,
D23/386, 388, 393

CPC F24F 1/00; F24F 1/0007; F24F 1/02; F24F
1/08; F24F 1/42; F24F 1/56; F24F 1/60;
F24F 3/044; F24F 3/048; F24F 3/16;

(56) **References Cited**

U.S. PATENT DOCUMENTS

4,065,120	A *	12/1977	Imaizumi	G03G 15/2028 118/245
D339,632	S *	9/1993	Immel	D23/351
D414,253	S *	9/1999	Kobayashi	D23/351
D453,139	S *	1/2002	Yang	D13/110
D465,453	S *	11/2002	Chan	D13/110

(Continued)

Primary Examiner — George D. Kirschbaum

Assistant Examiner — Natasha Vujcic

(74) *Attorney, Agent, or Firm* — Westerman, Hattori,
Daniels & Adrian, LLP

(57) **CLAIM**

The ornamental design for an air conditioner, as shown and described.

DESCRIPTION

FIG. 1 is an isometric view of the first embodiment of an air conditioner showing our new design, showing the top, front, and right side thereof.

FIG. 2 is a front elevational view thereof, the rear elevational view being identical thereto.

FIG. 3 is a right side elevational view thereof, the left side elevational view being identical thereto.

FIG. 4 is a top plan view thereof.

FIG. 5 is a bottom plan view thereof.

FIG. 6 is an isometric view of the second embodiment of an air conditioner showing our new design, showing the top, front, and right side thereof.

FIG. 7 is a front elevational view thereof.

FIG. 8 is a right side elevational view thereof.

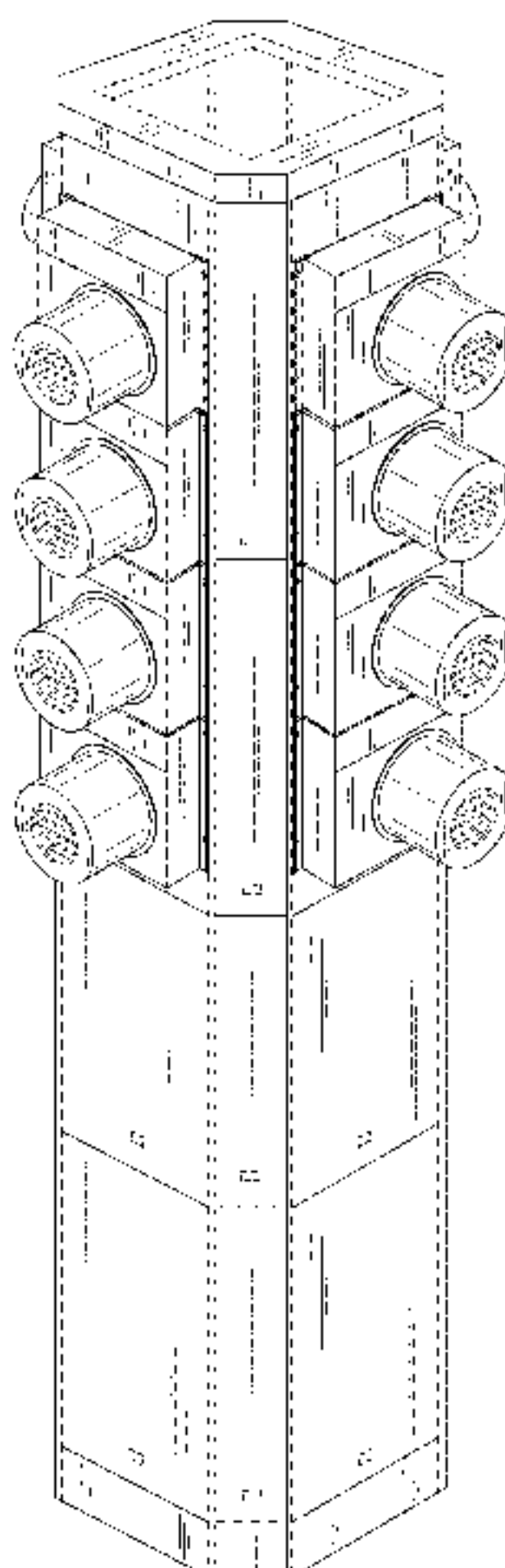
FIG. 9 is a left side elevational view thereof.

FIG. 10 is a rear elevational view thereof.

FIG. 11 is a top plan view thereof; and,

FIG. 12 is a bottom plan view thereof.

(Continued)



The broken lines in the drawings illustrate portions of the air conditioner which form no part of the claimed design.

1 Claim, 10 Drawing Sheets

(56)

References Cited

U.S. PATENT DOCUMENTS

D529,594 S *	10/2006	Pruitt	D23/351
D547,849 S *	7/2007	Francisquini	D23/351
D603,948 S *	11/2009	Ishihara	D23/351
D617,887 S *	6/2010	Sata	D23/351
D649,234 S *	11/2011	Iovanel	D23/351
D701,596 S *	3/2014	Yoo	D23/351
D717,419 S *	11/2014	Choi	D23/351
D718,419 S *	11/2014	Borg	D23/233
D767,101 S *	9/2016	Kobayashi	D23/249
D776,786 S *	1/2017	Okazaki	D23/209

* cited by examiner

Fig. 1

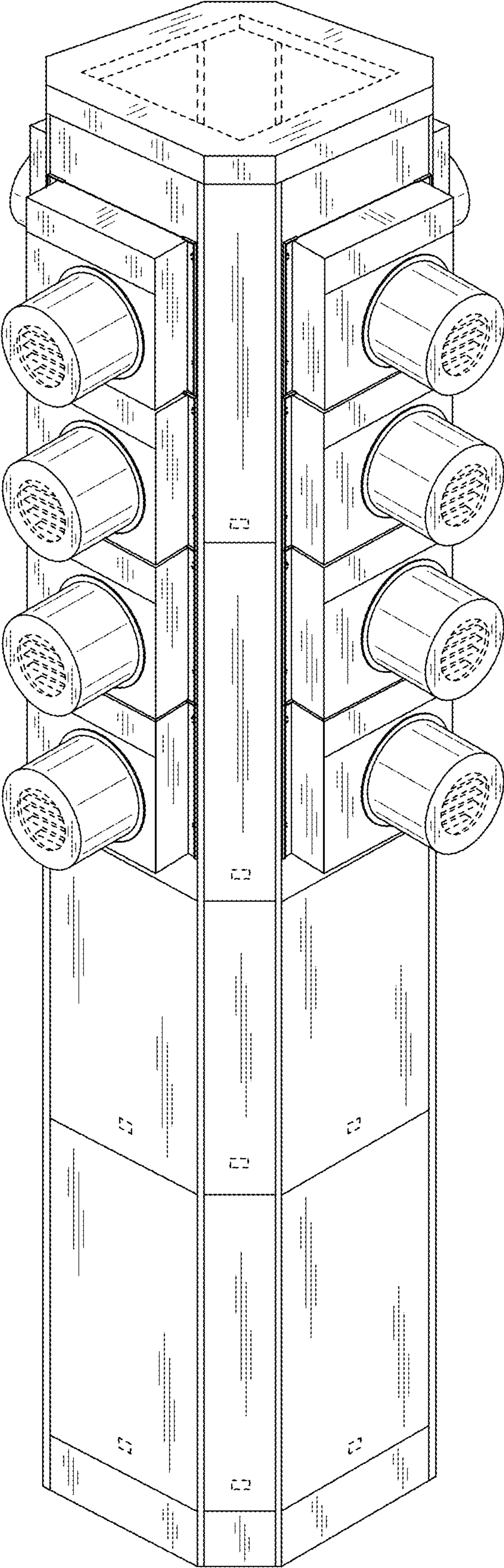


Fig. 2

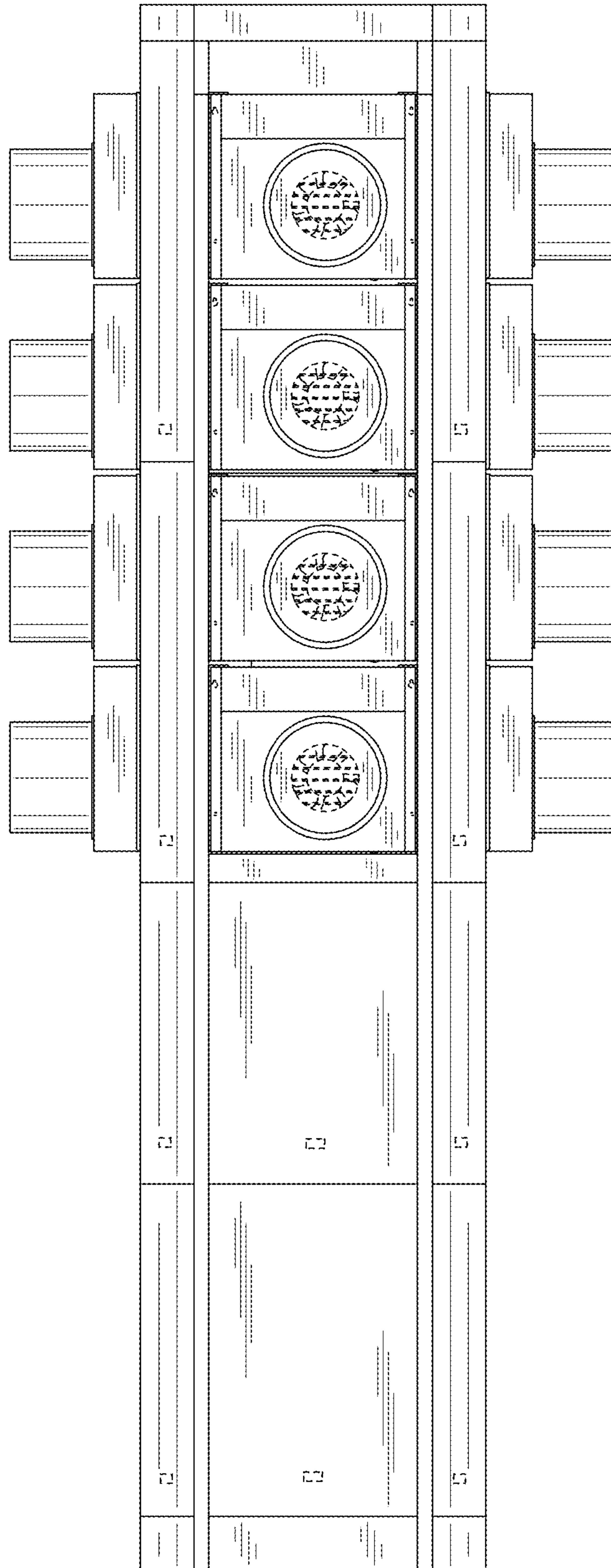


Fig. 3

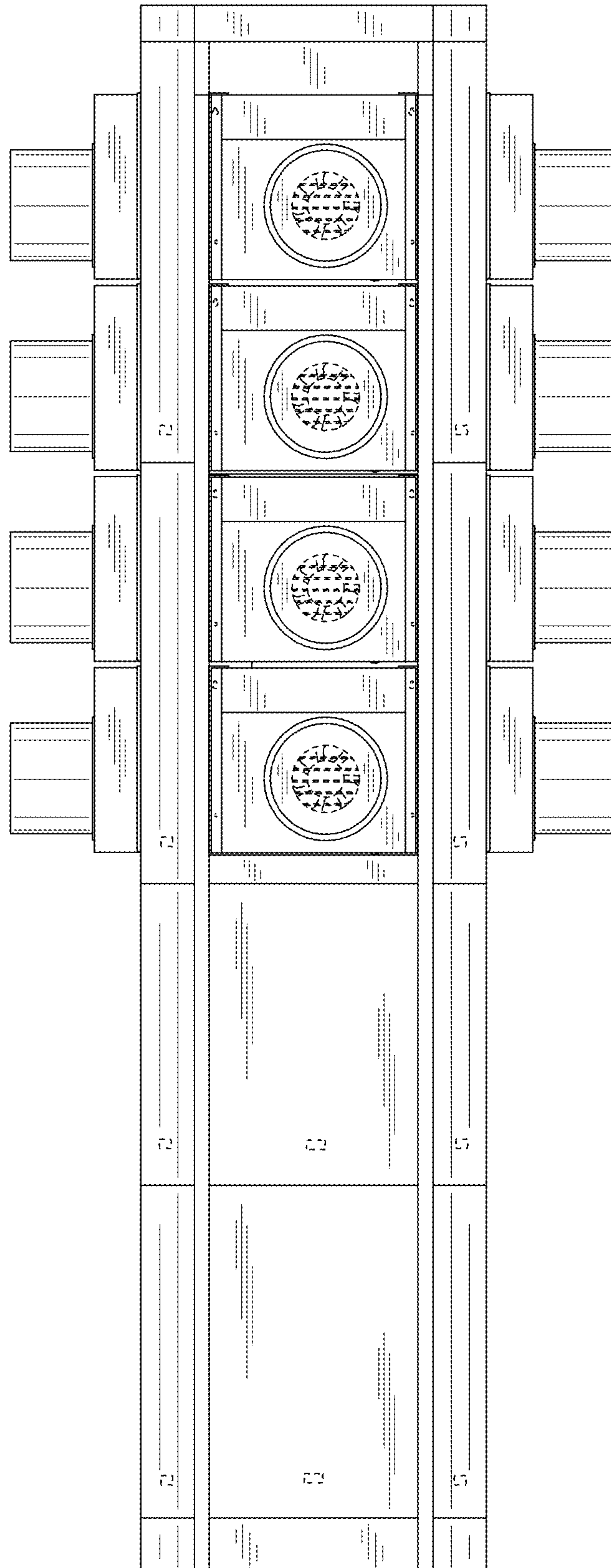


Fig. 4

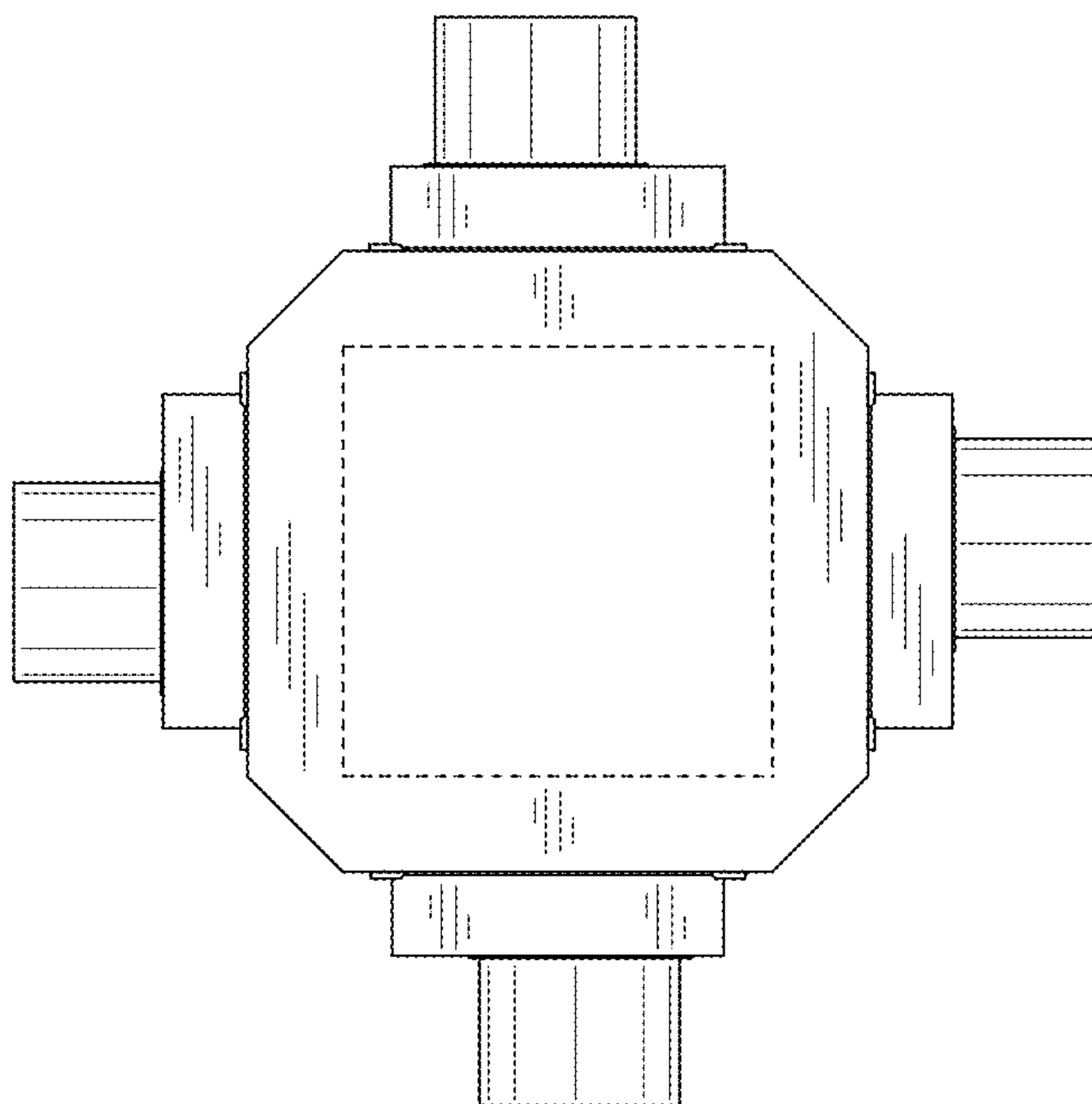


Fig. 5

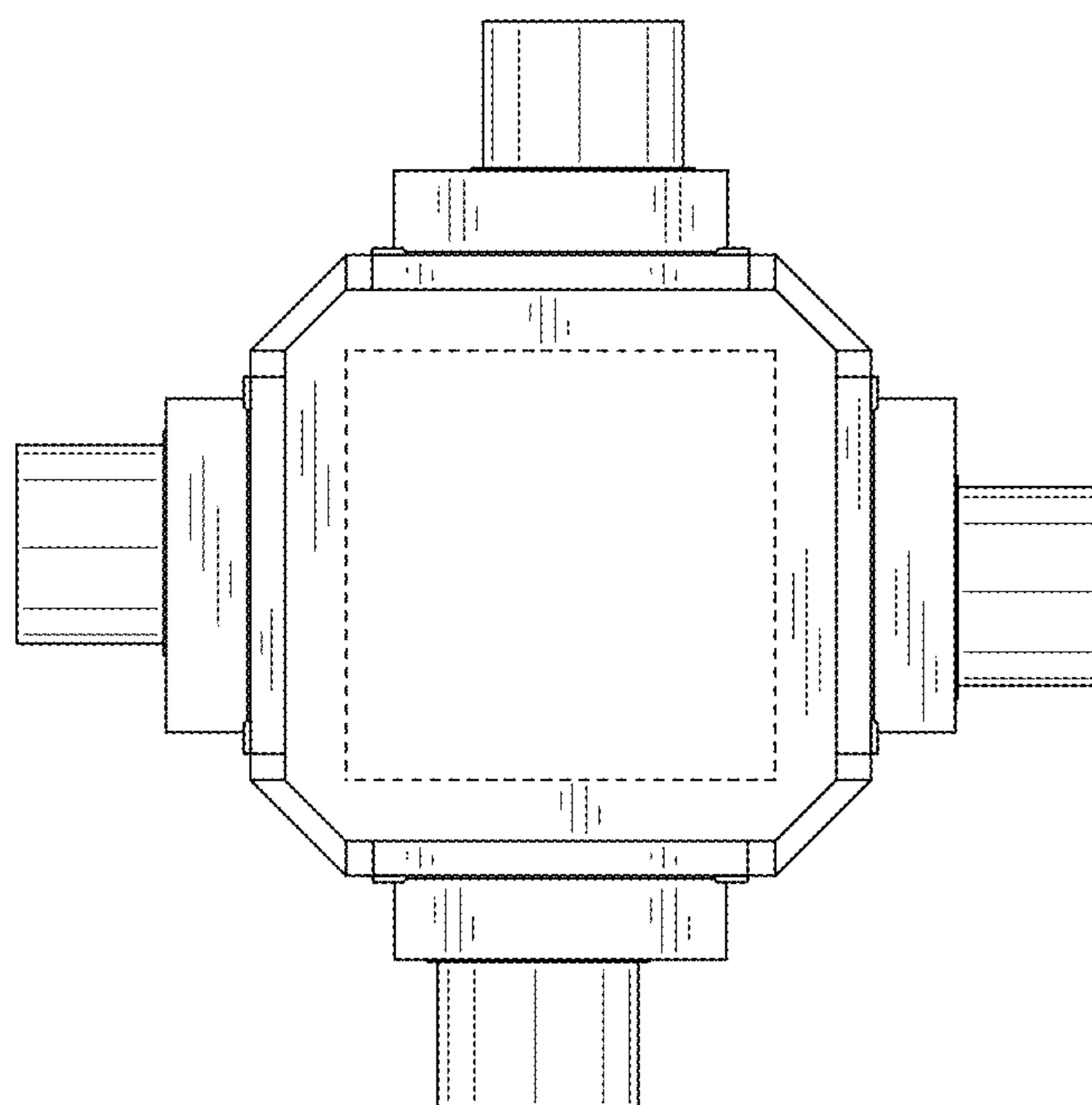


Fig. 6

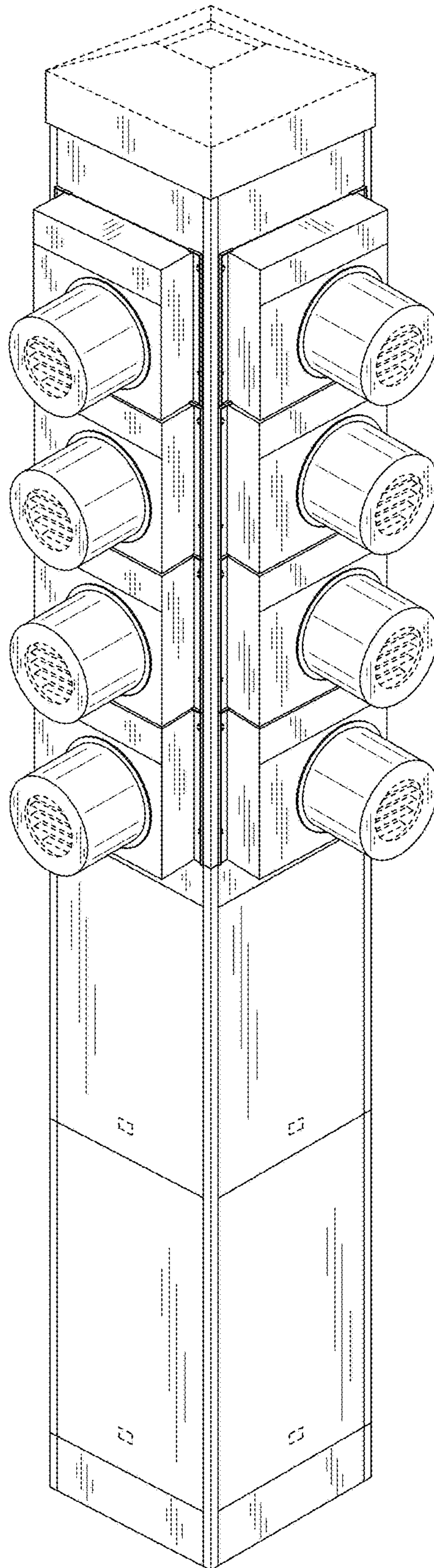


Fig. 7

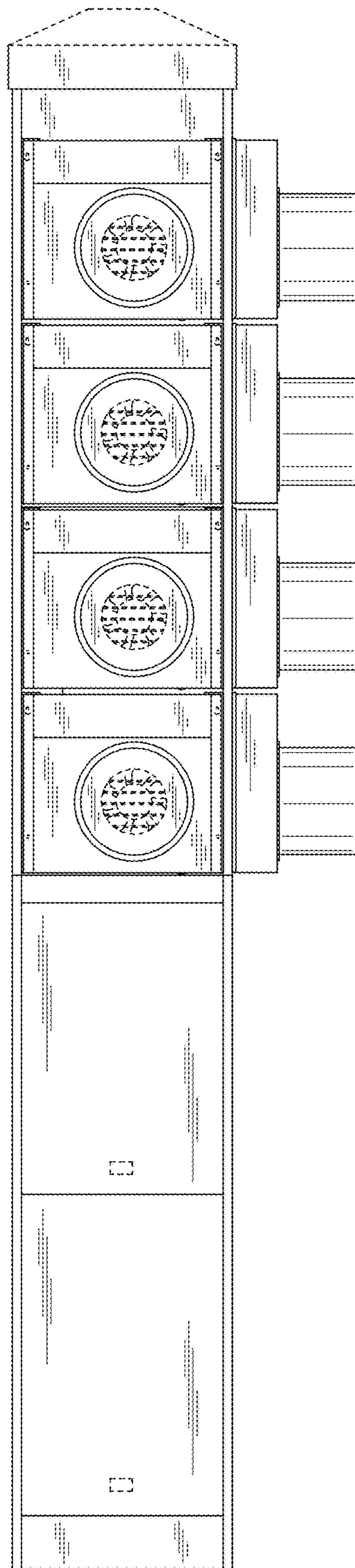


Fig. 8

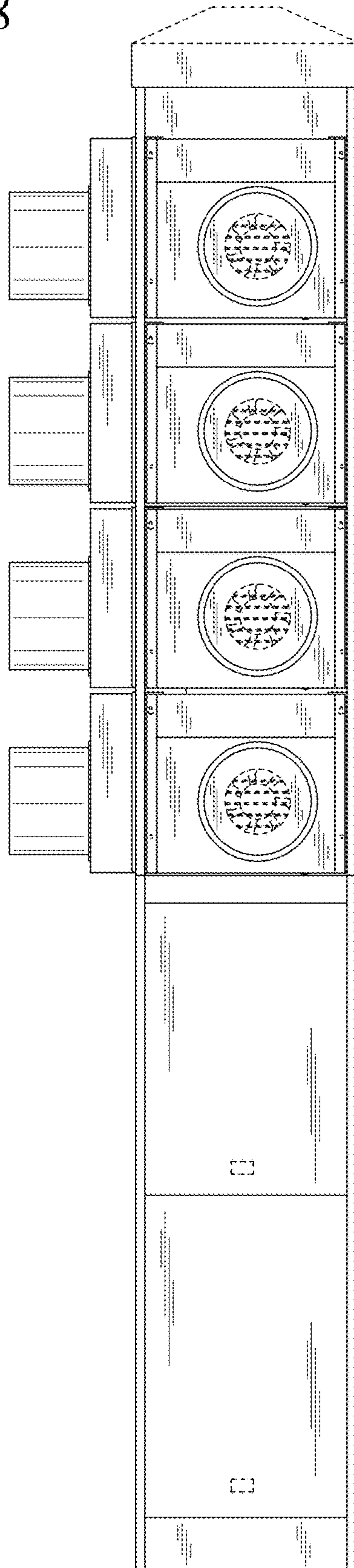


Fig. 9

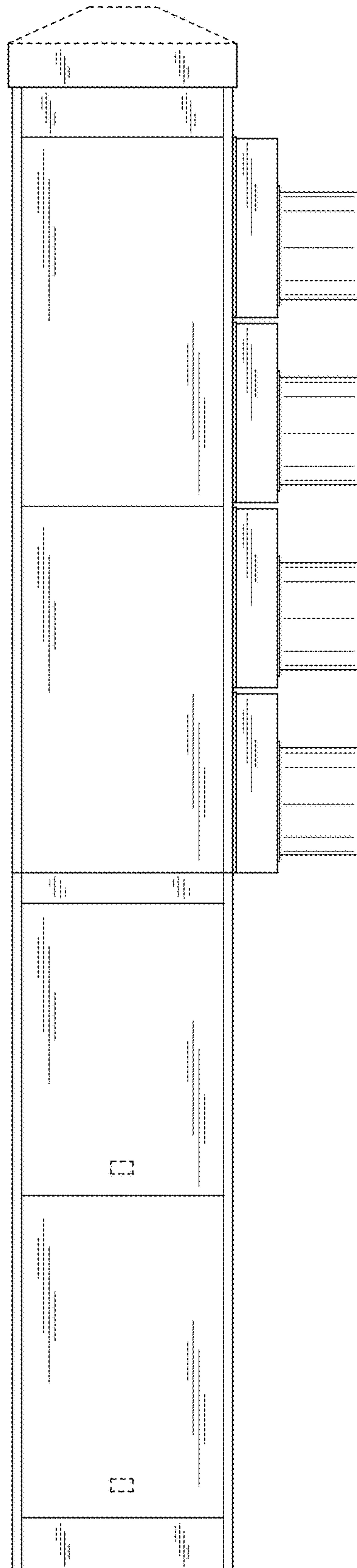


Fig. 10

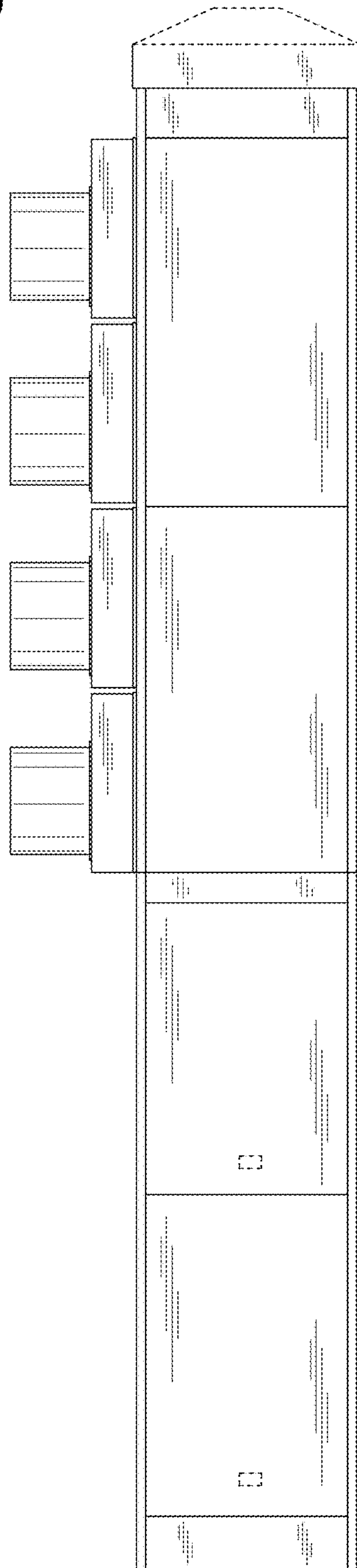


Fig. 11

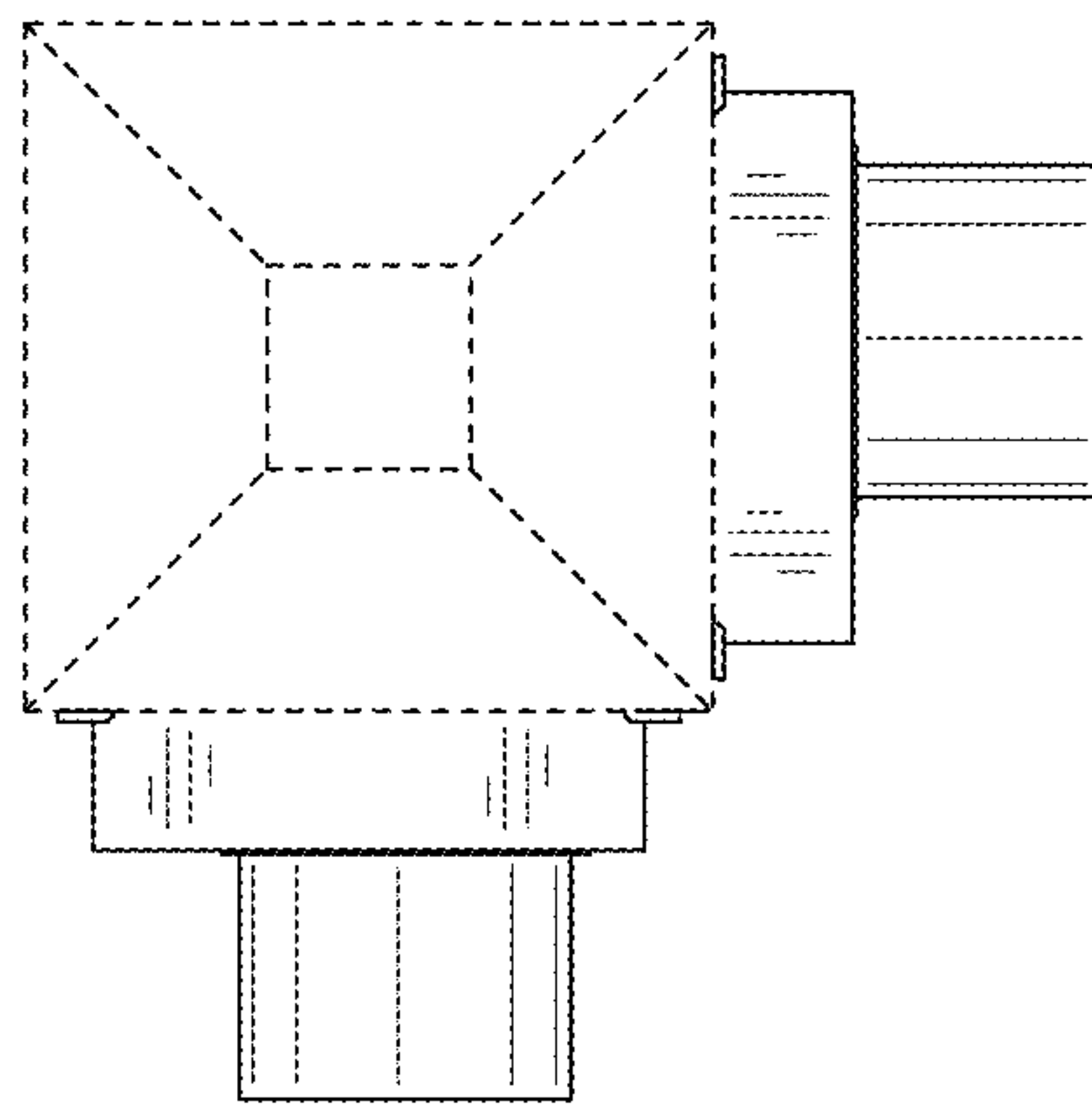


Fig. 12

