



US00D812205S

(12) **United States Design Patent** (10) **Patent No.:** **US D812,205 S**
Inovero et al. (45) **Date of Patent:** **** Mar. 6, 2018**

- (54) **COLUMN HEATER**
- (71) Applicant: **Bond Manufacturing Company**,
Antioch, CA (US)
- (72) Inventors: **Trisha Inovero**, Shenzhen (CN);
Zhirong Zhang, Shenzhen (CN); **Cam**
Jenkins, Antioch, CA (US)
- (73) Assignee: **Bond Manufacturing Co., Inc.**,
Antioch, CA (US)

- D486,211 S 2/2004 Chan et al.
- D509,291 S * 9/2005 Cunningham D23/336
- D537,154 S * 2/2007 Cunningham D23/336
- D563,537 S 3/2008 McColgin et al.
- D567,916 S 4/2008 McColgin et al.
- D594,949 S 6/2009 Wang
- D616,972 S * 6/2010 Wang D23/314
- D620,569 S 7/2010 Hall, Jr. et al.
- D639,919 S * 6/2011 Yu D23/314
- D640,355 S * 6/2011 Yu D23/328
- D663,811 S * 7/2012 Ren D23/317
- D688,360 S * 8/2013 Paz D23/314

(Continued)

(**) Term: **15 Years**

FOREIGN PATENT DOCUMENTS

(21) Appl. No.: **29/527,814**

FR 2814223 3/2002

(22) Filed: **May 21, 2015**

OTHER PUBLICATIONS

(51) **LOC (11) Cl.** **23-03**

(52) **U.S. Cl.**
USPC **D23/317**

Evenglo image, The Evenglo Edge, Radiant Patio Heater, 1 page,
date unknown.

(Continued)

(58) **Field of Classification Search**
USPC D23/323, 328, 332, 336, 339, 342, 386,
D23/338, 317, 314, 340, 343, 346, 403
CPC F23D 14/145; F23D 14/06; F24C 3/04;
F24C 1/12; F24H 3/006; F24H 9/0057;
F24H 9/1881

Primary Examiner — T. Chase Nelson
Assistant Examiner — Ania Aman
(74) *Attorney, Agent, or Firm* — Weide & Miller, Ltd.

See application file for complete search history.

(57) **CLAIM**

The ornamental design for a column heater, as shown and described.

(56) **References Cited**

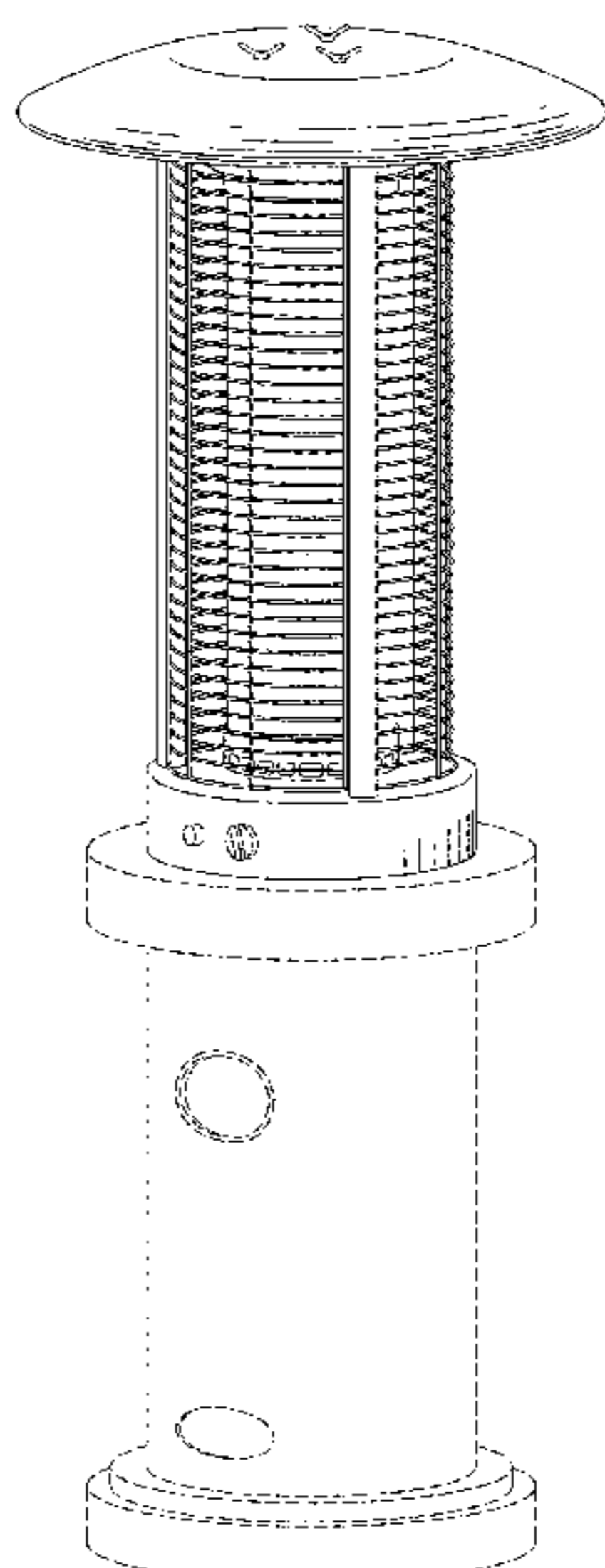
DESCRIPTION

U.S. PATENT DOCUMENTS

- D325,963 S 5/1992 Anderson
- D429,324 S 8/2000 Olson et al.
- 6,192,878 B1 * 2/2001 Waters F24C 1/12
126/92 AC
- 6,397,835 B1 * 6/2002 Liang F21L 19/00
126/92 B
- D462,426 S * 9/2002 Jeng D23/328
- D462,427 S * 9/2002 Jeng D23/328
- D465,836 S 11/2002 Smith et al.
- D471,967 S 3/2003 Bossler
- 6,651,647 B2 * 11/2003 Waters F24C 1/12
126/92 AC

FIG. 1 is a perspective view of a column heater showing our new design;
FIG. 2 is a front elevation view of the column heater;
FIG. 3 is a back elevation view of the column heater;
FIG. 4 is a top plan view of the column heater; and,
FIG. 5 is a bottom plan view of the column heater.
The broken lines indicate unclaimed portions of the article that form no part of the claimed design.

1 Claim, 5 Drawing Sheets



(56)

References Cited

U.S. PATENT DOCUMENTS

D718,850	S	12/2014	Stokke	
D756,496	S *	5/2016	Wang D23/332
9,328,927	B2 *	5/2016	Wang F24C 1/12
9,404,671	B2	8/2016	Liang	
2001/0037804	A1 *	11/2001	Waters F24C 1/12
				126/92 AC
2003/0056782	A1 *	3/2003	Liang F24C 1/12
				126/92 B
2004/0226551	A1 *	11/2004	Duphily F23D 14/12
				126/92 B
2008/0152329	A1	6/2008	Saunders et al.	
2010/0132698	A1 *	6/2010	Pedersen F24C 1/12
				126/92 B
2014/0220293	A1	8/2014	Lavigna et al.	
2014/0305428	A1	10/2014	Liang	
2016/0230985	A1 *	8/2016	Home F23D 14/145
2016/0348915	A1 *	12/2016	Yang F24C 1/12

OTHER PUBLICATIONS

Gasmate Catalog, Gasmate, the outdoors made easy, Heating & Lighting, www.gasmate.co.nz, 2013-2014, 20 pages.

Home Depot Catalog, <http://www.homedepot.com/catalog/productImages/400/3f/3f384a39-69ea-4eb4-9-cao-bd9d>, 1 page, printed Nov. 4, 2015.

Square image, Square, <https://secure.img1.wfrcdn.com/1f/87/hash/1523/3972126/1/Square%2BFlame%2BHeater>, 1 page, printed Nov. 4, 2015.

* cited by examiner

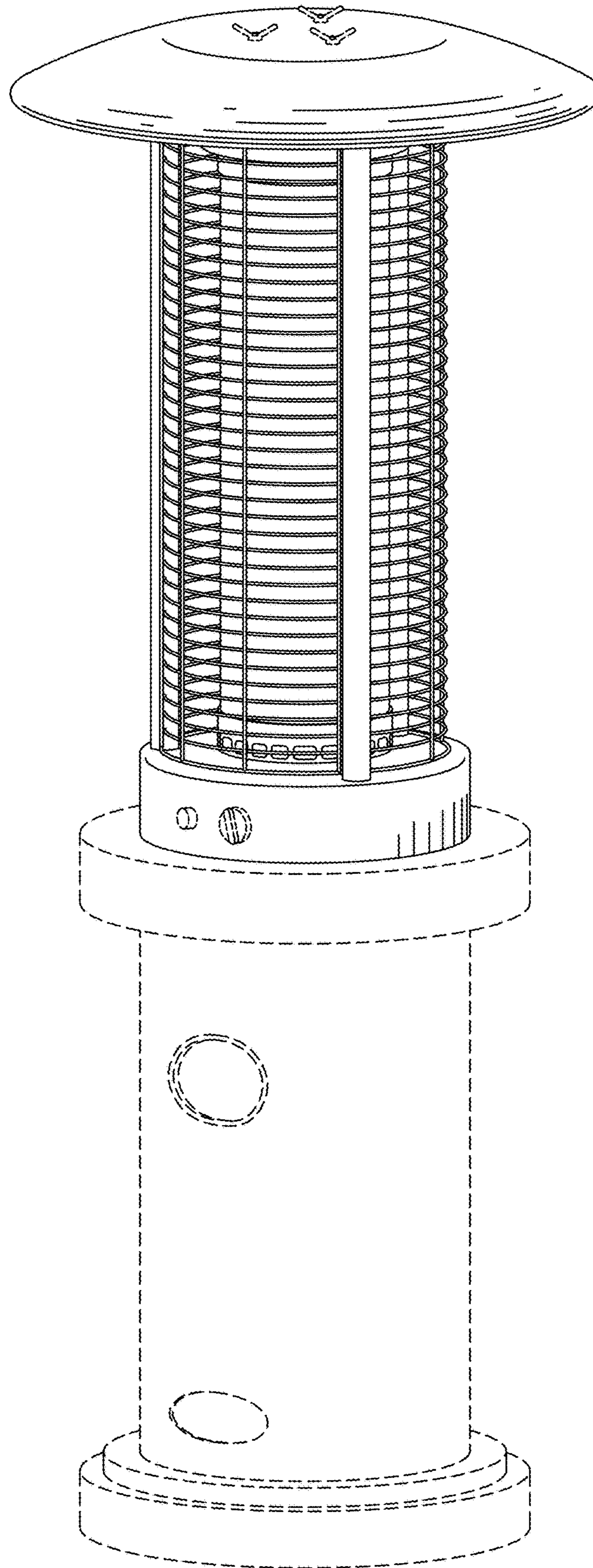


FIG. 1

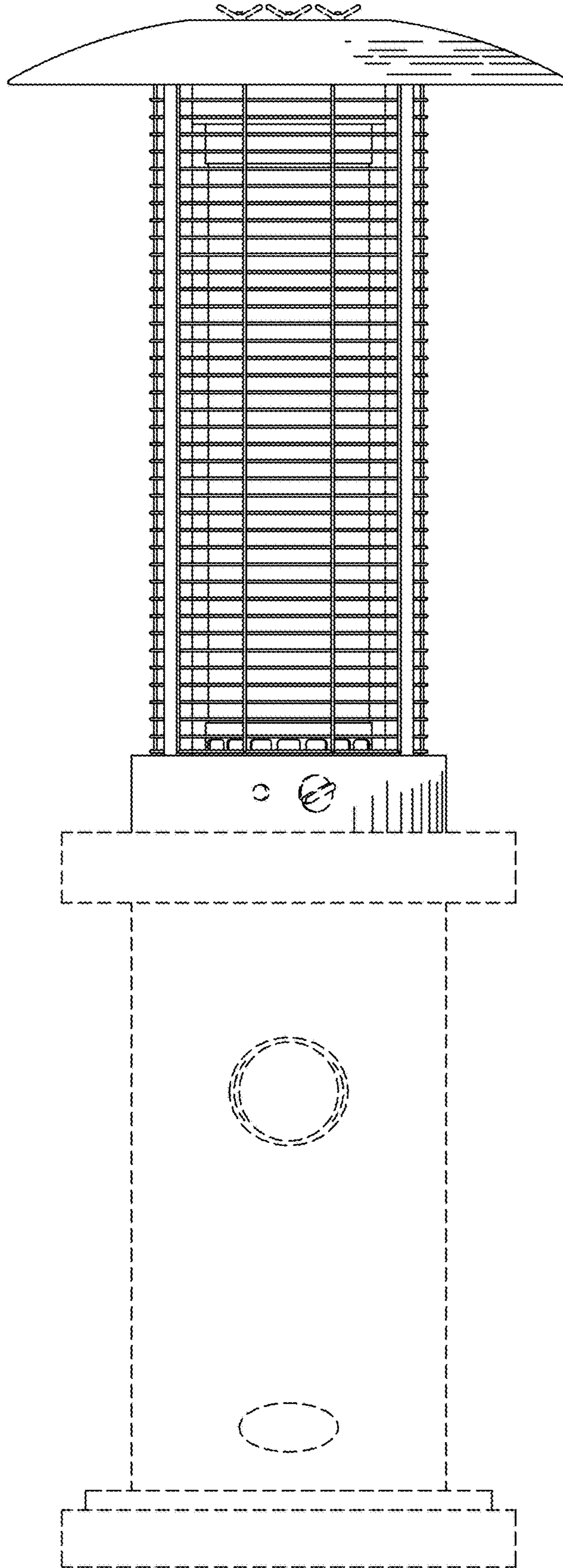


FIG. 2

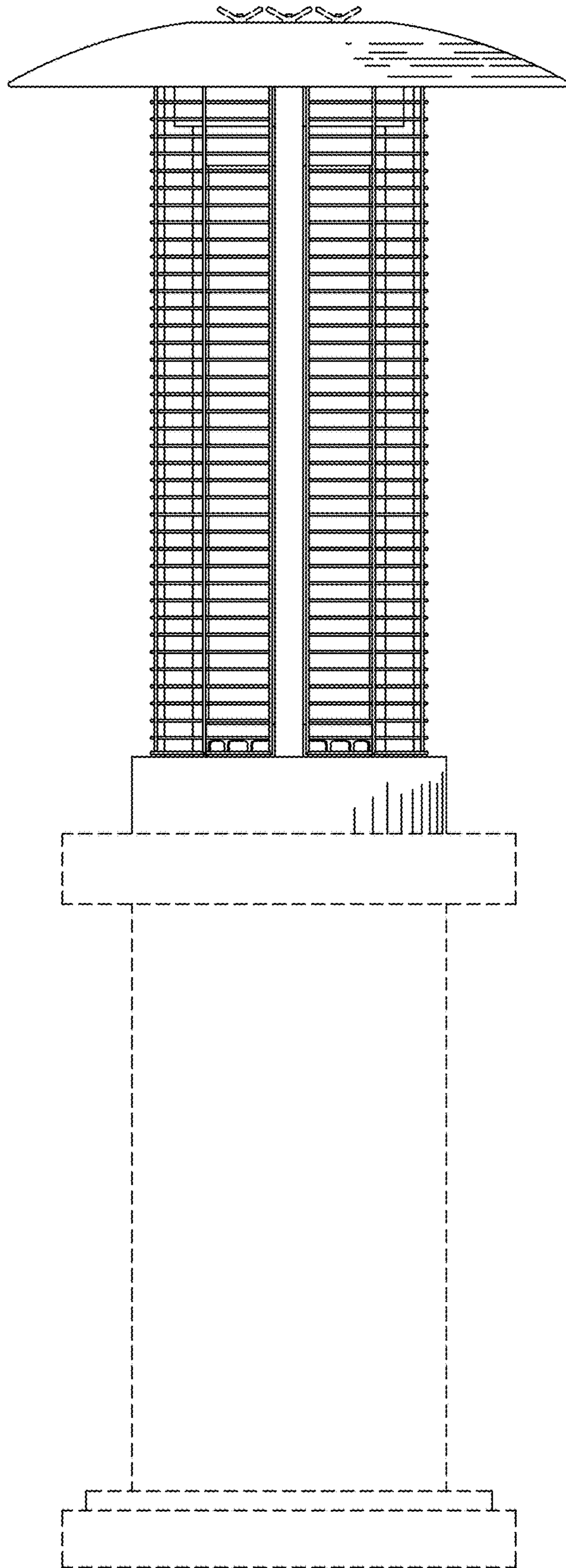


FIG. 3

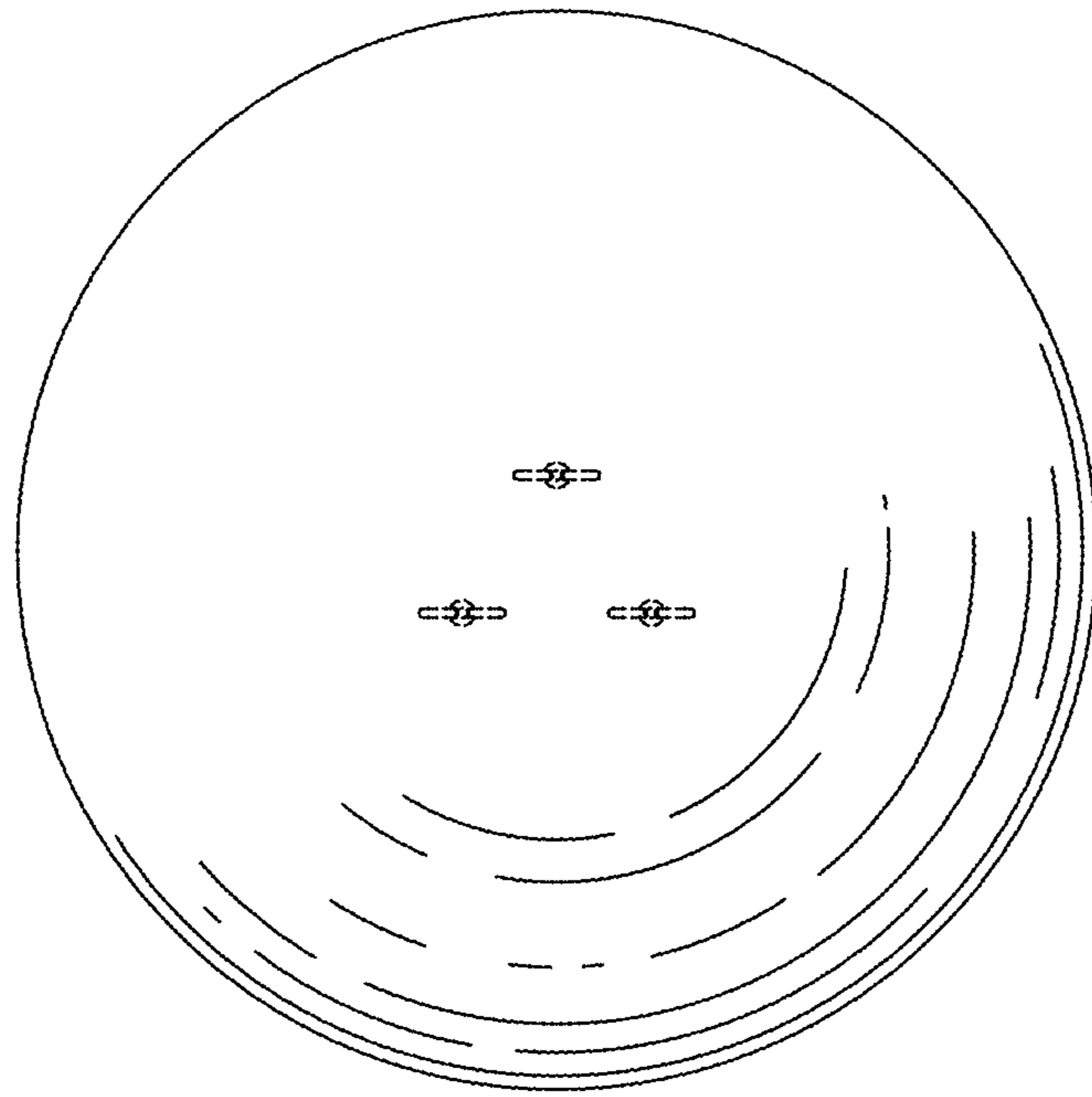


FIG. 4

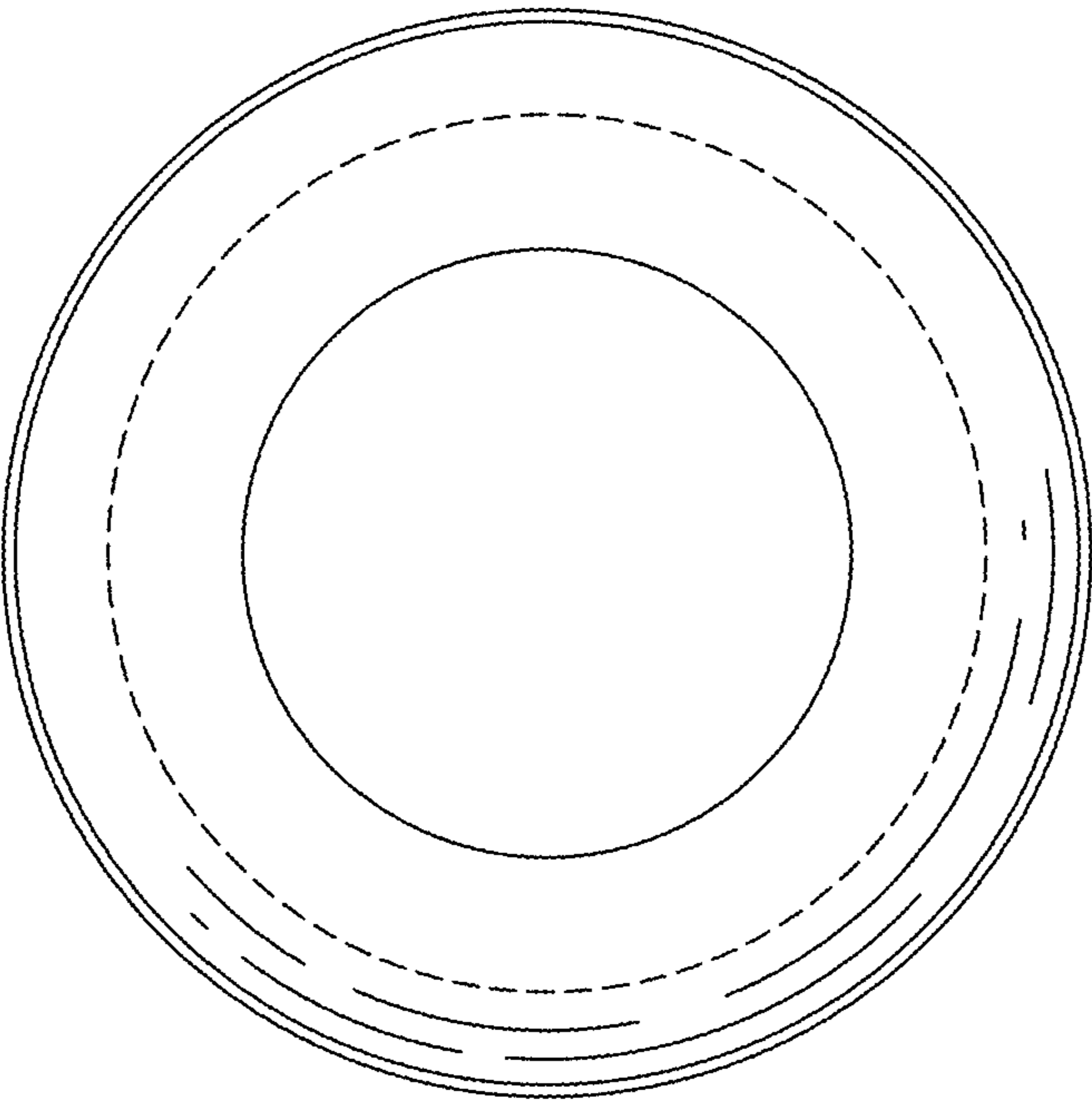


FIG. 5