



US00D812204S

(12) **United States Design Patent**  
**Olson**

(10) **Patent No.:** **US D812,204 S**

(45) **Date of Patent:** **\*\* Mar. 6, 2018**

(54) **SINK**

(71) Applicant: **ACCESSIBLE SYSTEMS, INC.**,  
Plymouth, MN (US)

(72) Inventor: **Arden Olson**, Maple Grove, MN (US)

(73) Assignee: **ACCESSIBLE SYSTEMS, INC.**,  
Plymouth, MN (US)

(\*\*) Term: **15 Years**

(21) Appl. No.: **29/587,094**

(22) Filed: **Dec. 9, 2016**

(51) **LOC (11) Cl.** ..... **23-02**

(52) **U.S. Cl.**  
USPC ..... **D23/289**

(58) **Field of Classification Search**  
USPC ..... D23/284–293.1, 303, 308  
CPC ..... A47K 1/04; A47B 77/06; A47J 47/20  
See application file for complete search history.

(56) **References Cited**

**U.S. PATENT DOCUMENTS**

D89,138 S *	1/1933	Northcott	.....	D23/289
D93,105 S *	8/1934	Hudson	.....	D23/289
D174,042 S *	2/1955	Kiefer	.....	D23/289
2,958,871 A	11/1960	Eskenazi et al.		
3,456,264 A	7/1969	Flagg		
4,821,347 A	4/1989	Nash		
D315,197 S *	3/1991	Brandis	.....	D23/289
D326,141 S *	5/1992	Evatt	.....	D23/293.1
D332,828 S *	1/1993	Schaerrer	.....	D23/284
D394,494 S *	5/1998	Garza	.....	D23/292
5,867,847 A	2/1999	Klawitter et al.		

(Continued)

**OTHER PUBLICATIONS**

Adjustasink reference found online [Aug. 2, 2017]—<http://www.adjustasink.com/adjust-a-sink-systems/k100/>\*

*Primary Examiner* — Robert M. Spear

*Assistant Examiner* — John A Voytek

(74) *Attorney, Agent, or Firm* — Muetting, Raasch & Gebhardt, P.A.

(57) **CLAIM**

The ornamental design for a sink, as shown and described.

**DESCRIPTION**

FIG. 1 is a right front perspective view of a sink of the claimed design;

FIG. 2 is a top plan view of the design of FIG. 8;

FIG. 3 is a left side elevation view of the design of FIG. 8;

FIG. 4 is a front elevation view of the design of FIG. 8;

FIG. 5 is a right side elevation view of the design of FIG. 8;

FIG. 6 is a rear elevation view of the design of FIG. 8; and,

FIG. 7 is a bottom plan view of the design of FIG. 8.

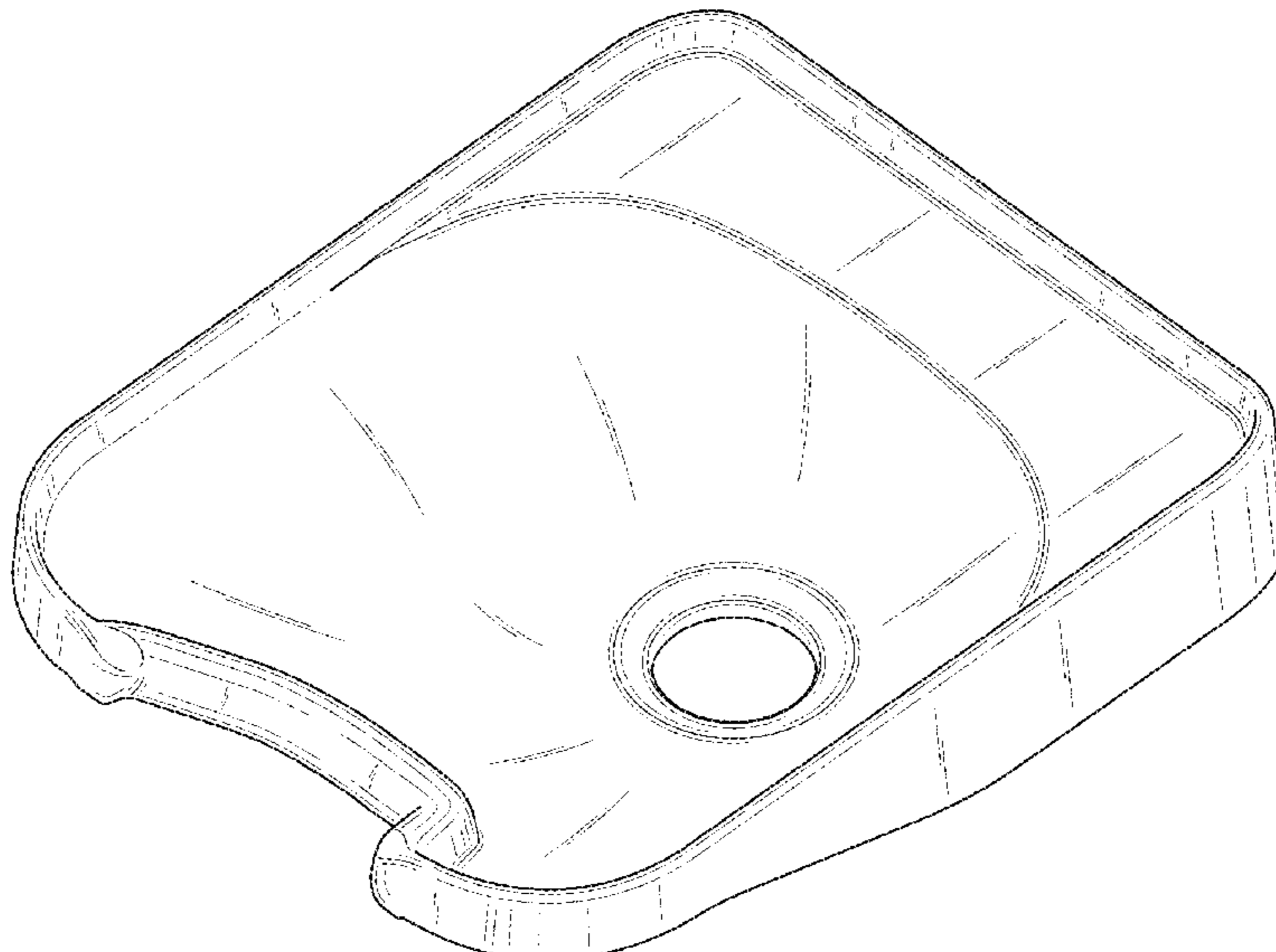
The dot-dash broken lines in the figures immediately adjacent the solid lines represent a boundary between claimed and unclaimed subject matter and form no part of the claimed design.

The dash-dash broken lines in the figures (including the portions adjacent the dot-dash broken lines, and other aspects) represent environment in which the claimed design may be embodied and form no part of the claimed design.

The labels used herein to describe orientation (e.g., front, rear, left, right) are merely for reference and are not intended to limit the interpretation of the design.

Applicant reserves the right to convert: a portion or portions of any of the broken lines to solid lines such that the features described by those lines then form a part of the claimed design; and/or a portion or portions of any of the solid lines to broken lines such that the features described by those lines no longer form part of the claimed design.

**1 Claim, 7 Drawing Sheets**



(56)

**References Cited**

U.S. PATENT DOCUMENTS

5,893,396	A	4/1999	Vagle	
6,170,096	B1	1/2001	Rasmussen	
D459,451	S *	6/2002	Minami .....	D23/289
D497,199	S *	10/2004	Lockwood .....	D23/289
D523,539	S *	6/2006	Kabata .....	D23/289
D530,407	S *	10/2006	McDowell .....	D23/289
D713,946	S *	9/2014	Kahle .....	D23/289
2012/0222210	A1 *	9/2012	Wiggins .....	A61M 3/0287 4/619

\* cited by examiner

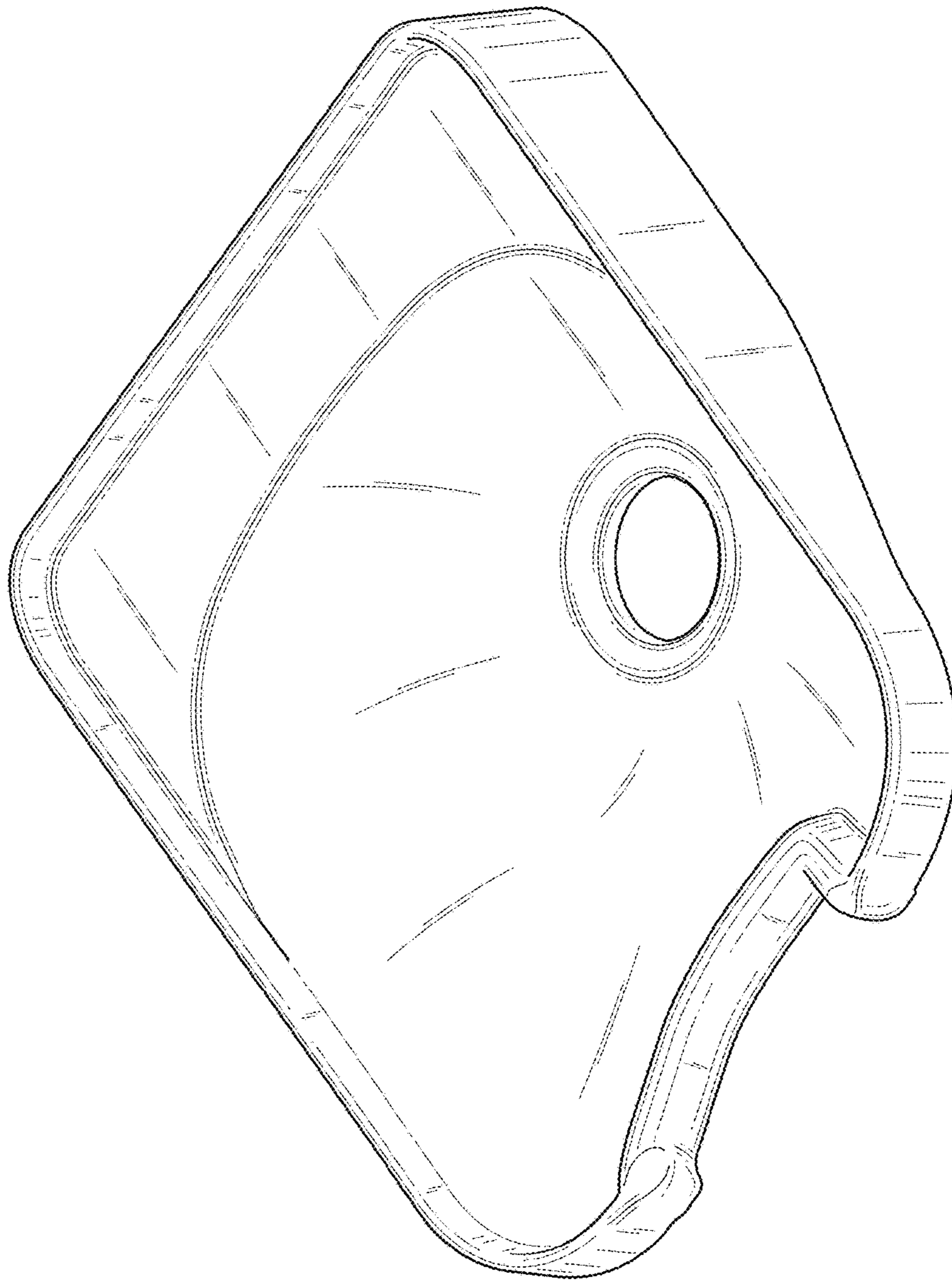
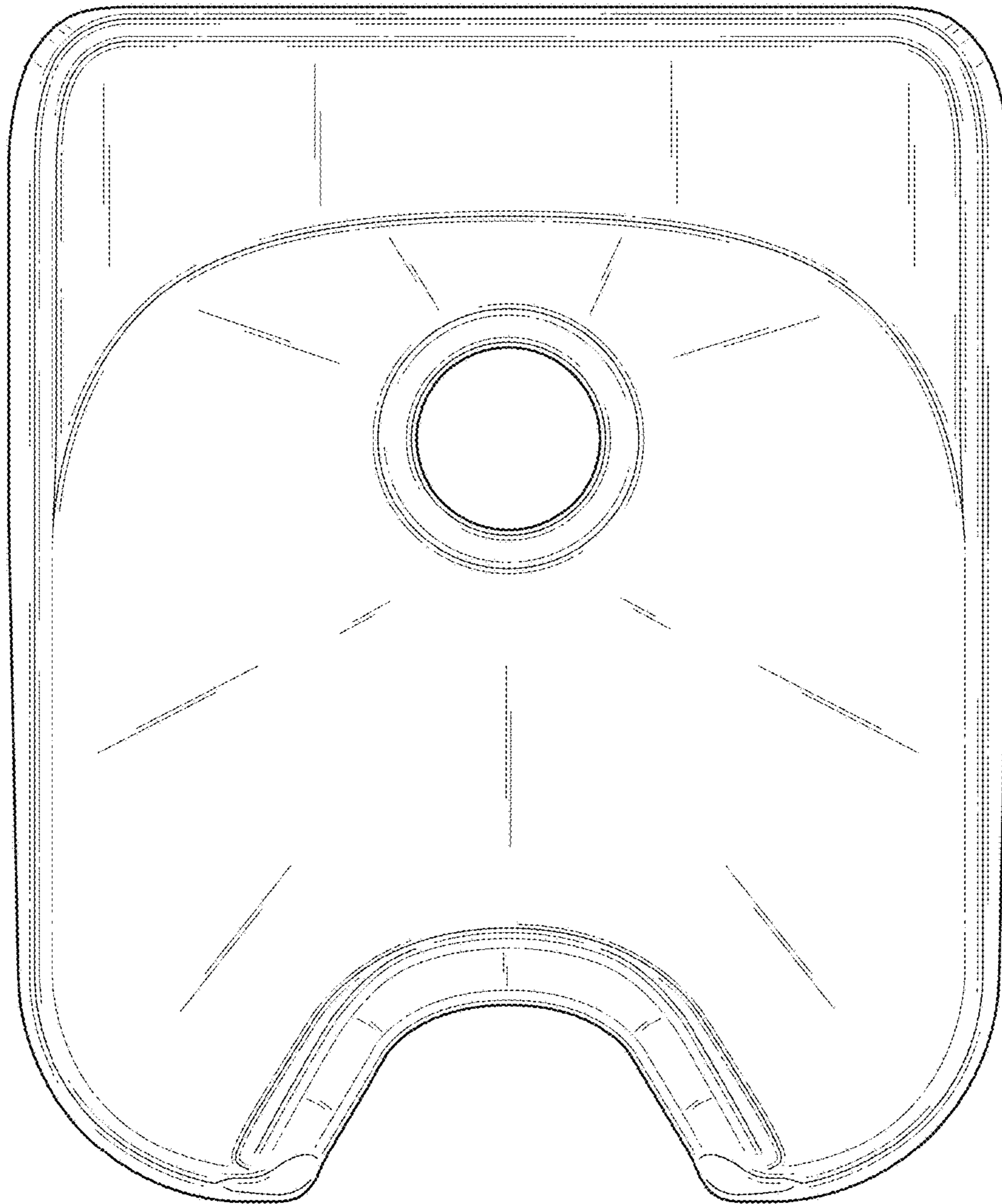


Fig. 1



**Fig. 2**

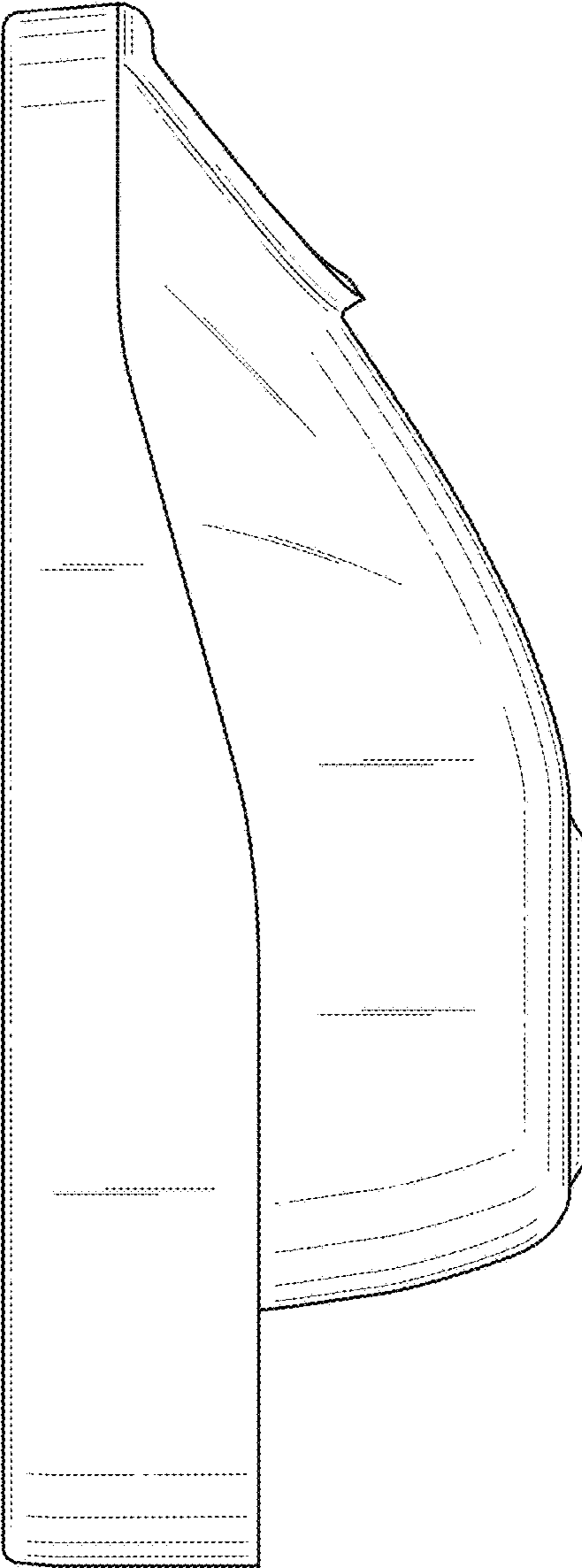


Fig. 3

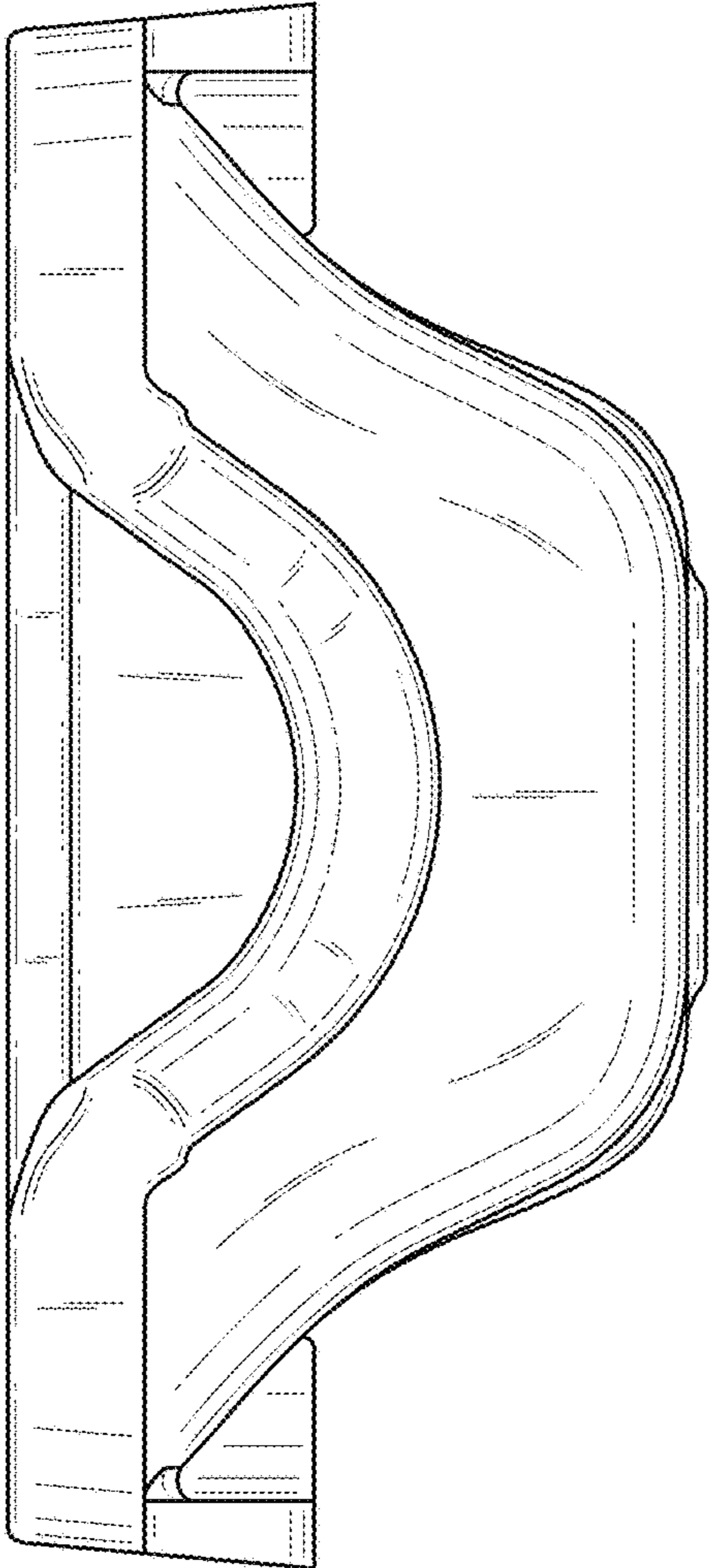


Fig. 4

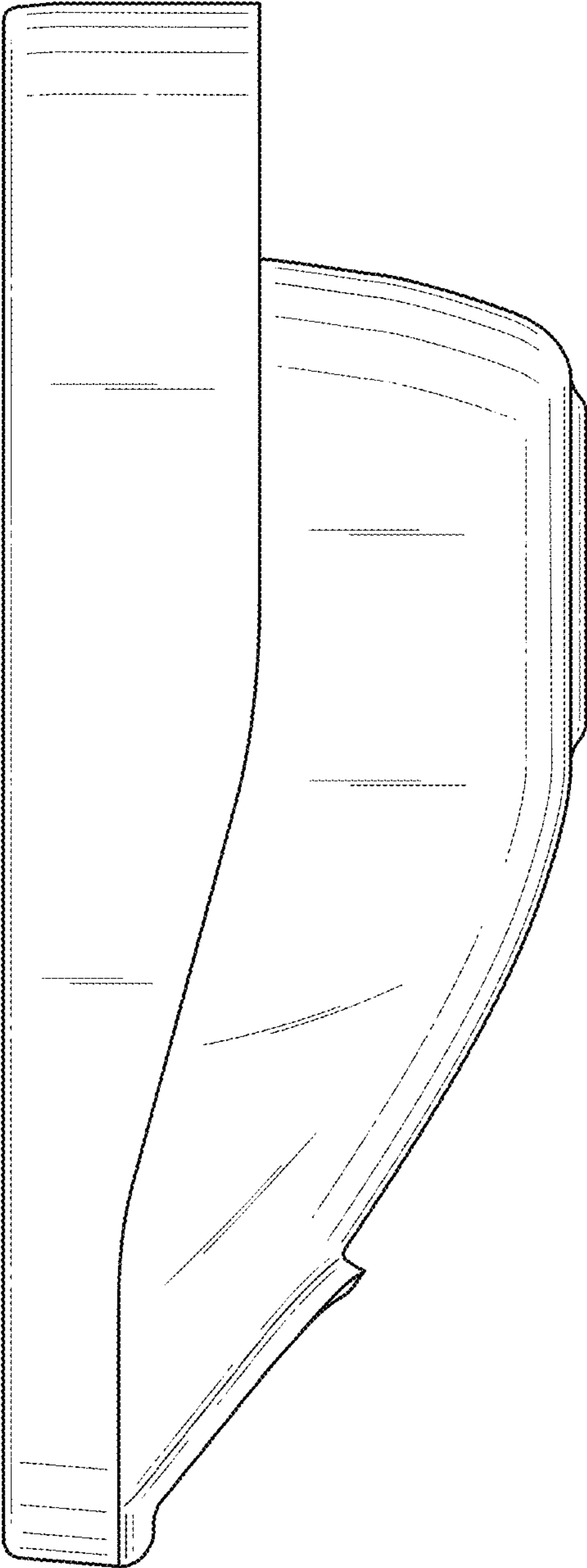


Fig. 5

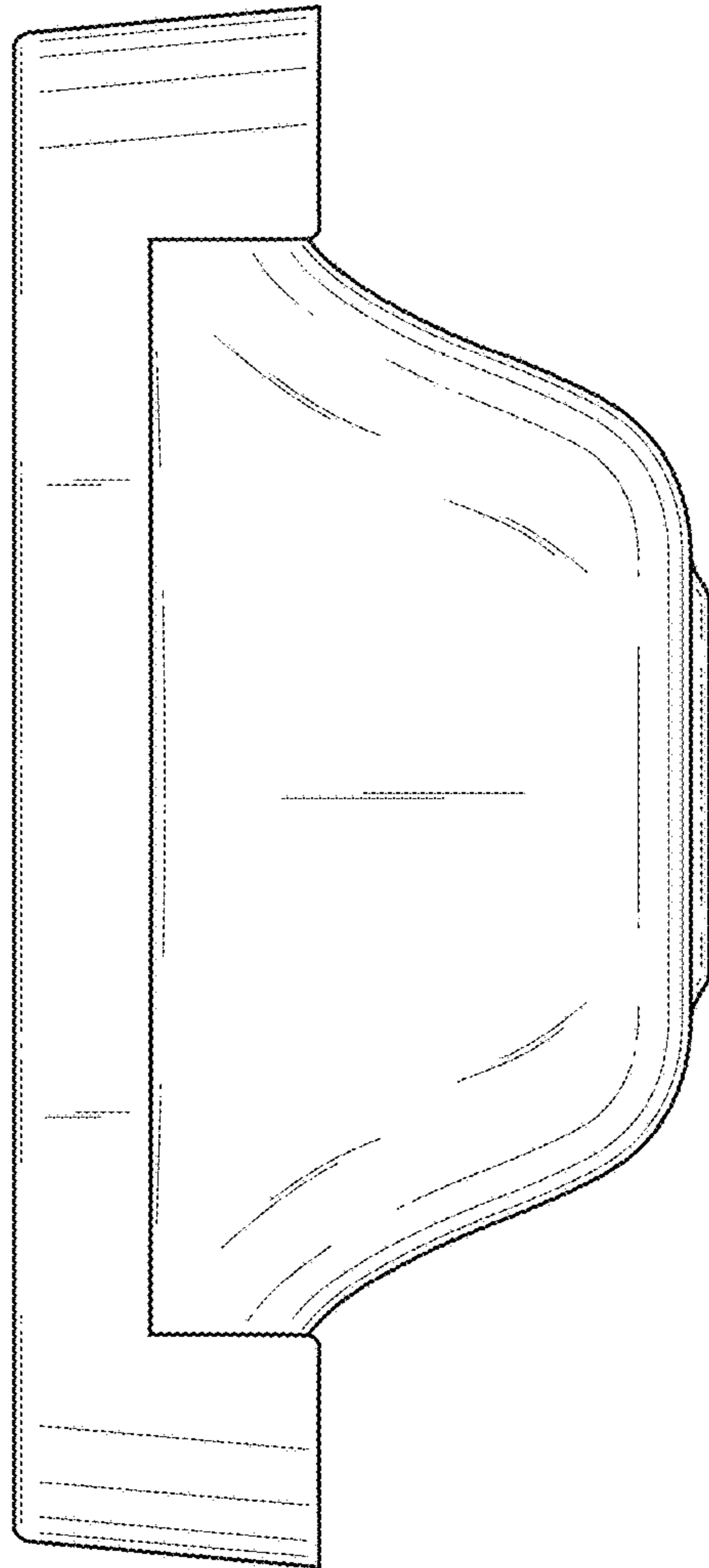


Fig. 6



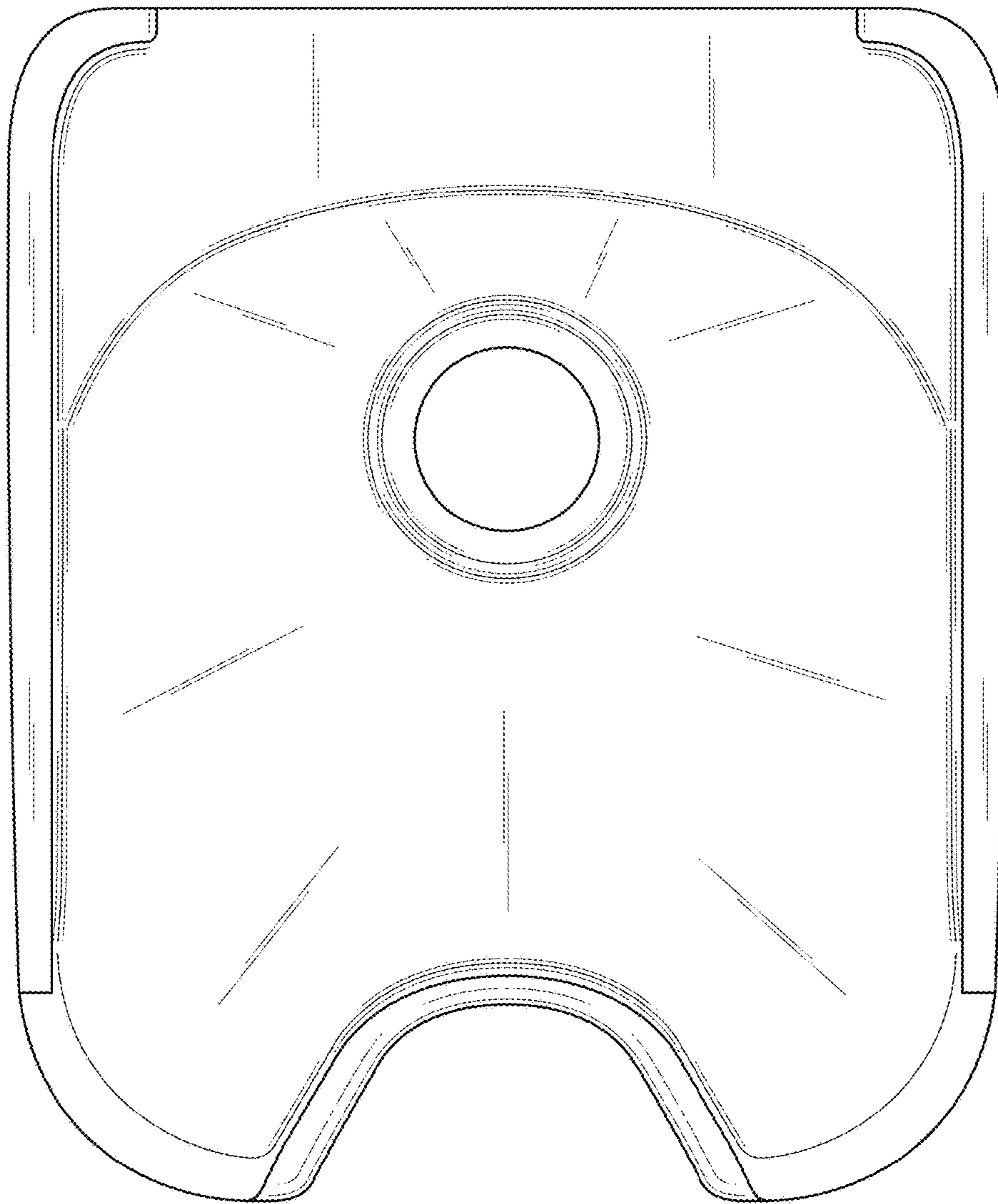


Fig. 7

UNITED STATES PATENT AND TRADEMARK OFFICE  
**CERTIFICATE OF CORRECTION**

PATENT NO. : D812,204 S  
APPLICATION NO. : 29/587094  
DATED : March 6, 2018  
INVENTOR(S) : Arden Olson

Page 1 of 1

It is certified that error appears in the above-identified patent and that said Letters Patent is hereby corrected as shown below:

On the Title Page

In the Description:

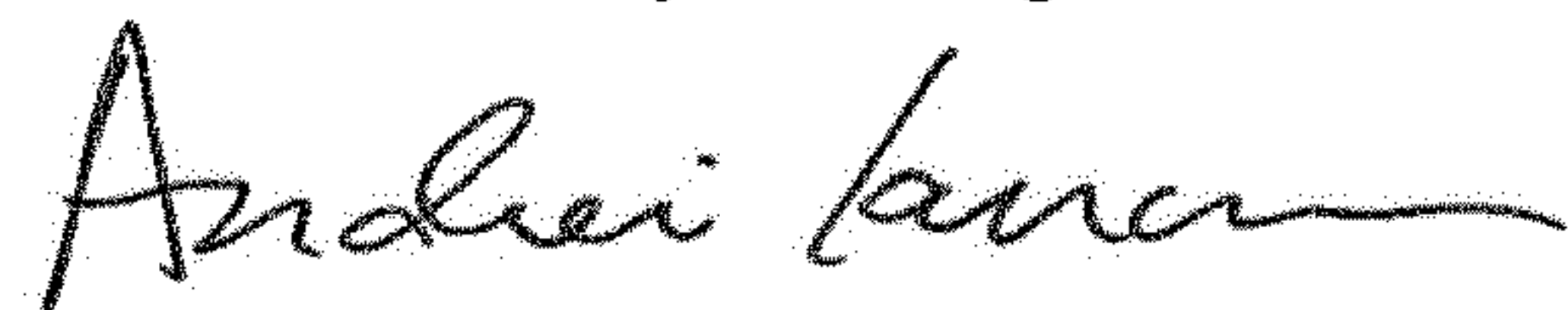
Column 2, under DESCRIPTION,

“FIG. 1 is a right front perspective view of a sink of the claimed design;  
FIG. 2 is a top plan view of the design of FIG. 8;  
FIG. 3 is a left side elevation view of the design of FIG. 8;  
FIG. 4 is a front elevation view of the design of FIG. 8;  
FIG. 5 is a right side elevation view of the design of FIG. 8;  
FIG. 6 is a rear elevation view of the design of FIG. 8; and  
FIG. 7 is a bottom plan view of the design of FIG. 8.”

Should be changed to:

--FIG. 1 is a right front perspective view of a sink of the claimed design;  
FIG. 2 is a top plan view of the design of FIG. 1;  
FIG. 3 is a left side elevation view of the design of FIG. 1;  
FIG. 4 is a front elevation view of the design of FIG. 1;  
FIG. 5 is a right side elevation view of the design of FIG. 1;  
FIG. 6 is a rear elevation view of the design of FIG. 1; and  
FIG. 7 is a bottom plan view of the design of FIG. 1.--

Signed and Sealed this  
Seventh Day of August, 2018



Andrei Iancu  
*Director of the United States Patent and Trademark Office*