



US00D812203S

(12) **United States Design Patent**  
**Ginestra**

(10) **Patent No.:** **US D812,203 S**  
(45) **Date of Patent:** **\*\* Mar. 6, 2018**

(54) **VANITY BASE**

(71) Applicant: **Ronbow Corporation**, Fremont, CA  
(US)

(72) Inventor: **Alexander G. Ginestra**, Oakland, CA  
(US)

(73) Assignee: **RONBOW CORPORATION**,  
Fremont, CA (US)

(\*\*) Term: **15 Years**

(21) Appl. No.: **29/575,828**

(22) Filed: **Aug. 29, 2016**

(51) **LOC (11) Cl.** ..... **23-02**

(52) **U.S. Cl.**  
USPC ..... **D23/286**

(58) **Field of Classification Search**  
USPC ..... D23/284–293.1, 303, 308; D6/329, 573,  
D6/657, 663–666, 671, 671.1, 671.4  
CPC ..... A47K 1/04; A47B 77/06; A47J 47/20  
See application file for complete search history.

(56) **References Cited**

**U.S. PATENT DOCUMENTS**

|              |         |         |       |          |
|--------------|---------|---------|-------|----------|
| D116,372 S * | 8/1939  | Lynch   | ..... | D6/663   |
| D152,585 S * | 2/1949  | Ben-Ari | ..... | D6/671.1 |
| D183,788 S * | 10/1958 | Carter  | ..... | D6/671.1 |
| D231,170 S * | 4/1974  | Carter  | ..... | D6/671.1 |
| D370,798 S * | 6/1996  | Rosen   | ..... | D6/671.1 |
| D403,894 S * | 1/1999  | Hutton  | ..... | D6/671.1 |
| D531,834 S * | 11/2006 | Baade   | ..... | D6/657   |
| D538,406 S * | 3/2007  | Mayer   | ..... | D23/286  |
| D538,899 S * | 3/2007  | Mayer   | ..... | D23/286  |
| D713,177 S * | 9/2014  | Litt    | ..... | D6/671.1 |
| D777,889 S * | 1/2017  | Danelon | ..... | D23/286  |

**OTHER PUBLICATIONS**

Ronbow Amora Sink found online [Sep. 13, 2017]—<http://www.ronbow.com/vanity/neo-classic/amora>.\*

\* cited by examiner

*Primary Examiner* — Robert M. Spear

*Assistant Examiner* — John A Voytek

(74) *Attorney, Agent, or Firm* — Thomas Schneck

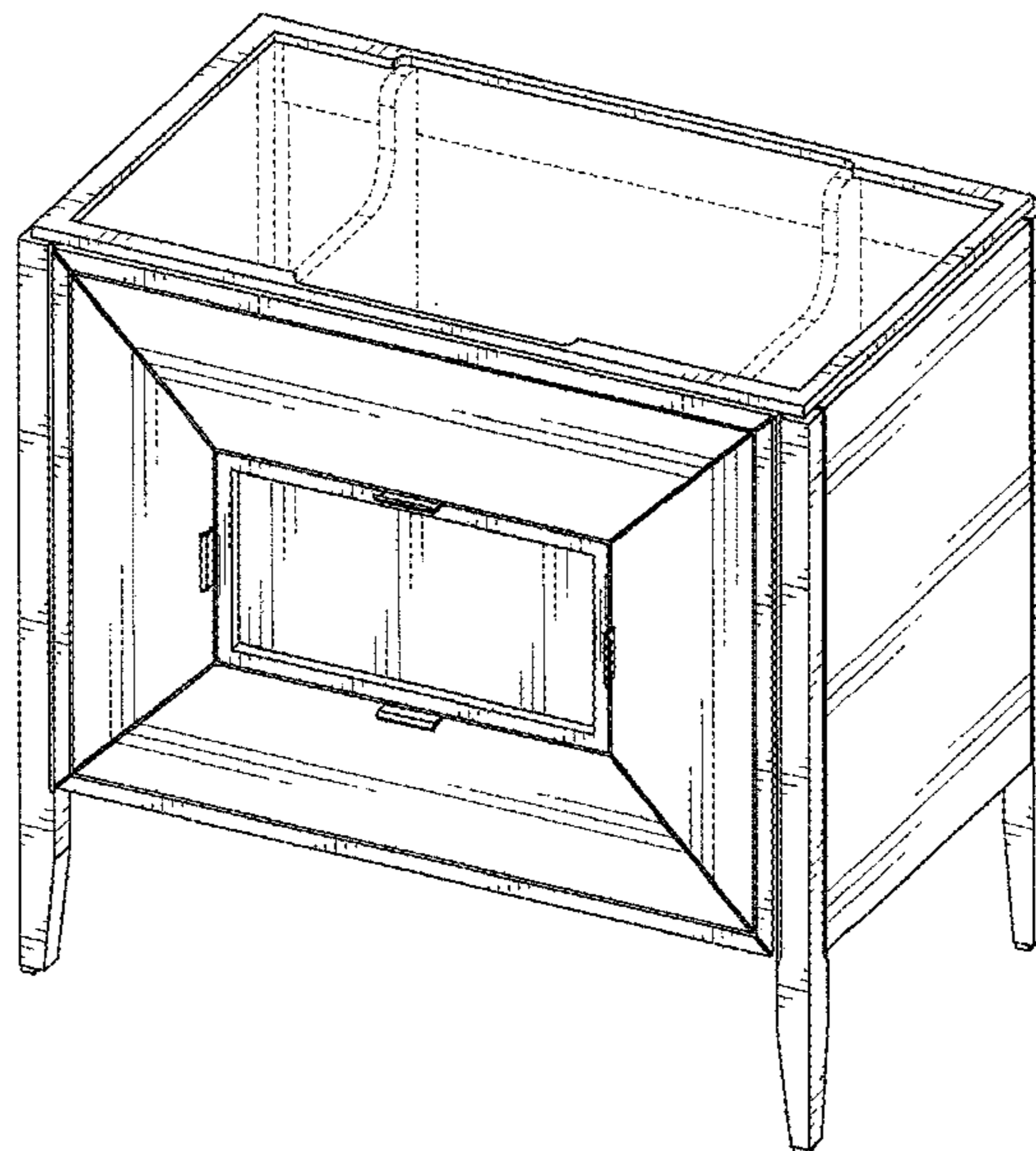
(57) **CLAIM**

I claim the ornamental design for a vanity base, as shown and described.

**DESCRIPTION**

FIG. 1 is an upper front right perspective view of a vanity base of my design;  
FIG. 2 is a front plan view thereof;  
FIG. 3 is a rear plan view thereof;  
FIG. 4 is a left side plan view thereof, the right side plan view being a mirror image thereof;  
FIG. 5 is a top plan view thereof;  
FIG. 6 is a bottom plan view thereof;  
FIG. 7 is an upper front right perspective view of a second embodiment of a vanity base of my design;  
FIG. 8 is a front plan view thereof;  
FIG. 9 is a rear plan view thereof;  
FIG. 10 is a left side plan view thereof, the right side plan view being a mirror image thereof;  
FIG. 11 is a top plan view thereof; and,  
FIG. 12 is a bottom plan view thereof.  
The broken lines shown in the drawings are included for the purpose of illustrating a portion of the vanity base that form no part of the claimed design.

**1 Claim, 10 Drawing Sheets**



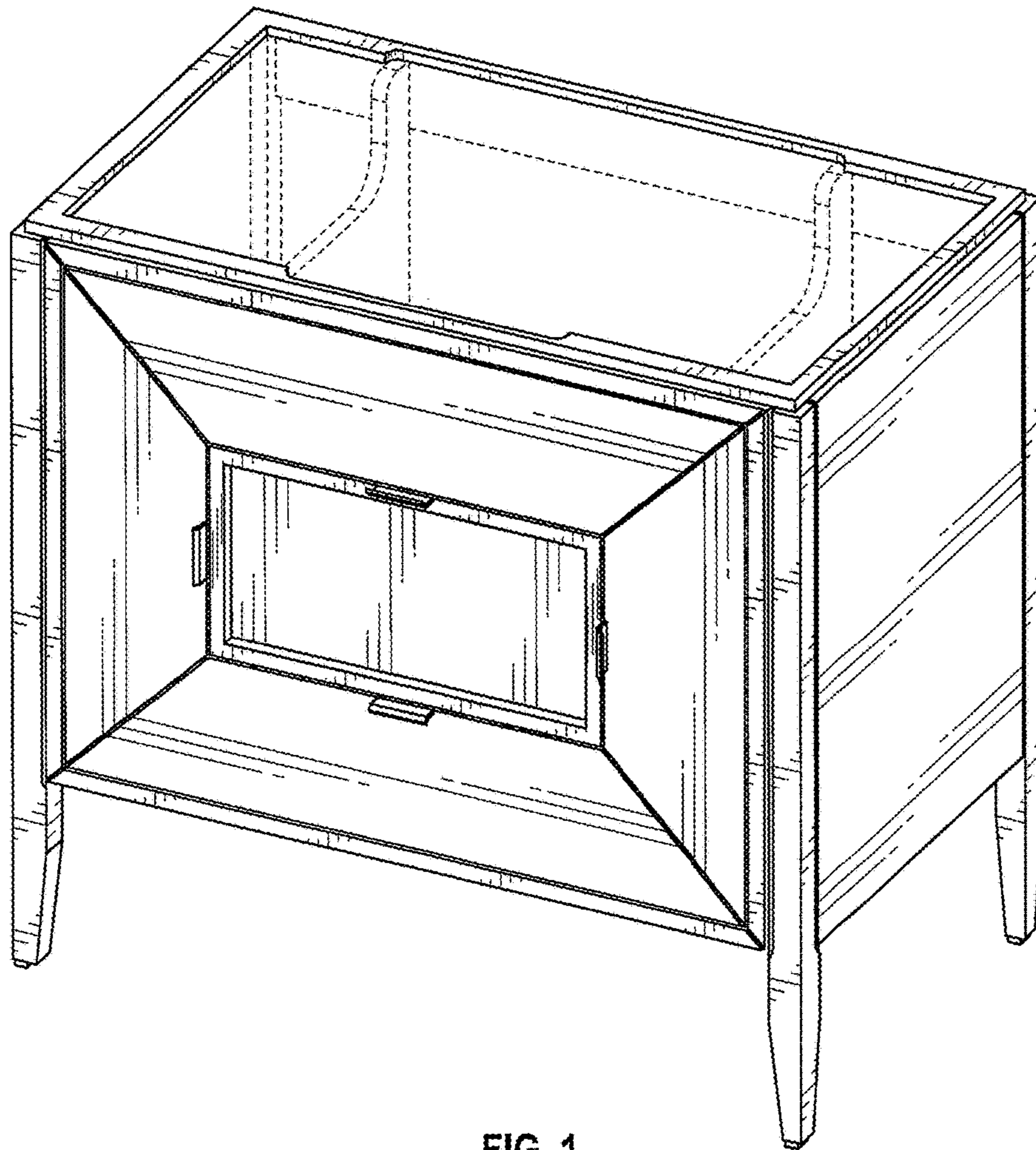


FIG. 1

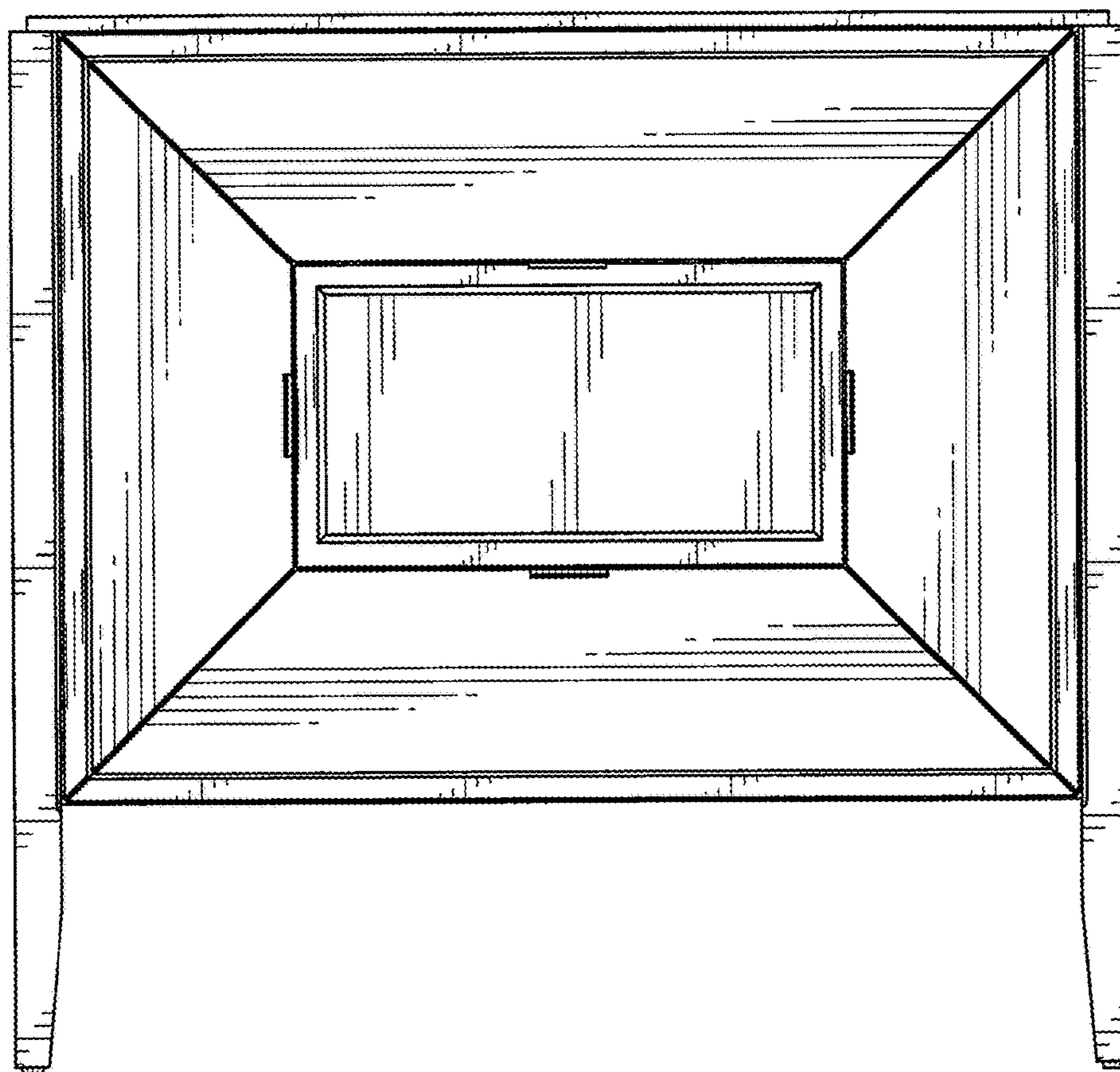


FIG. 2

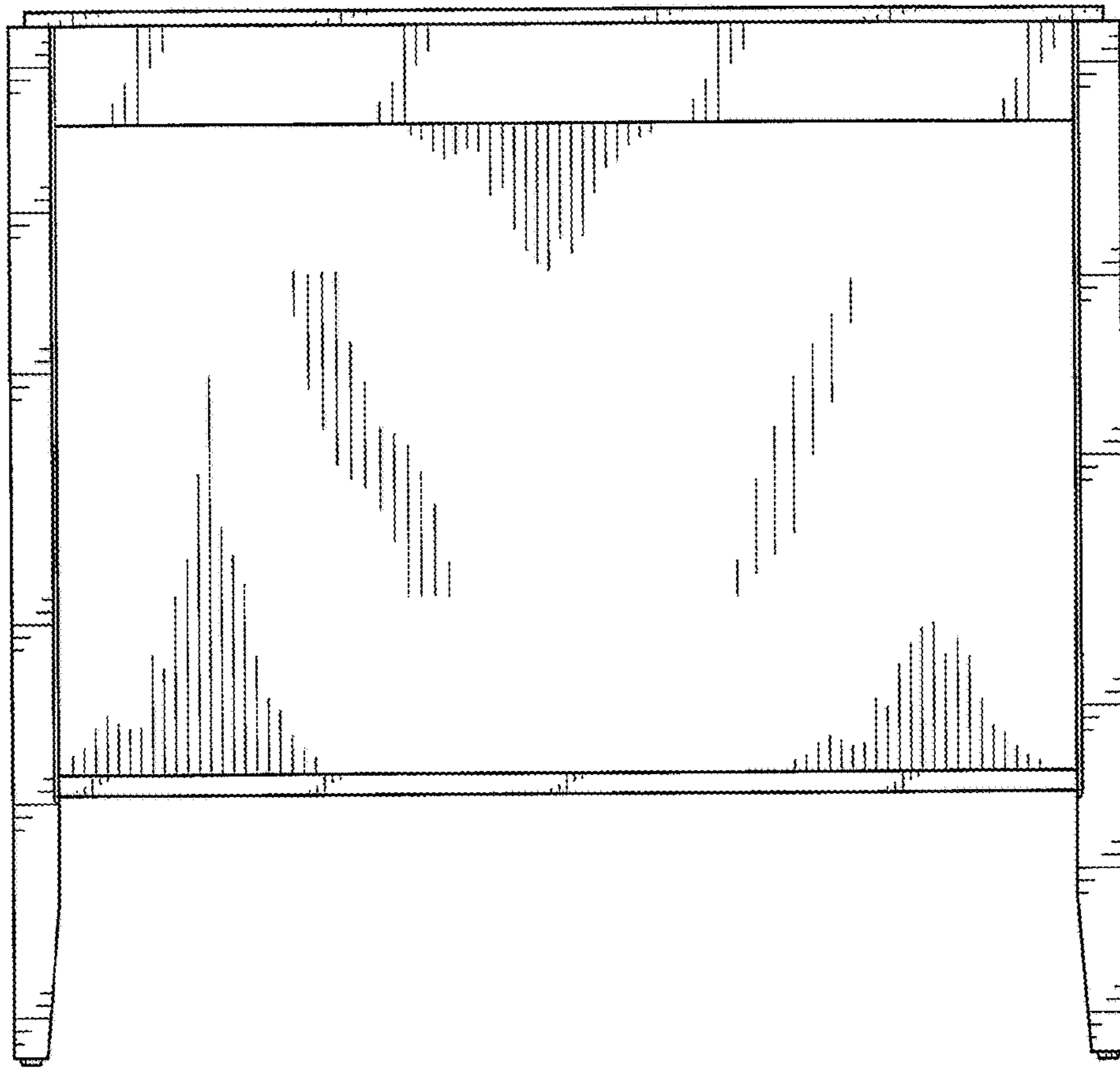


FIG. 3



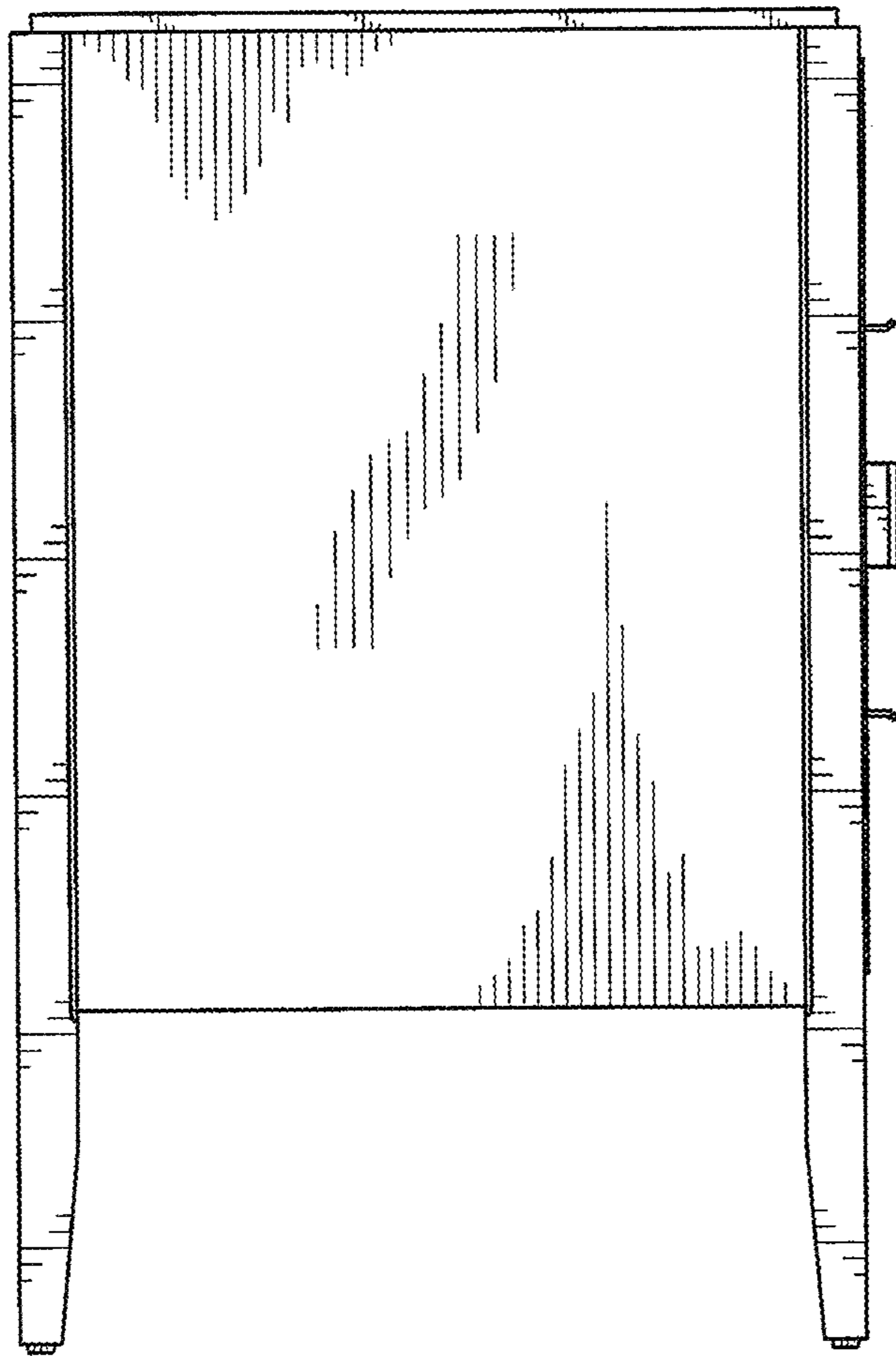


FIG. 4

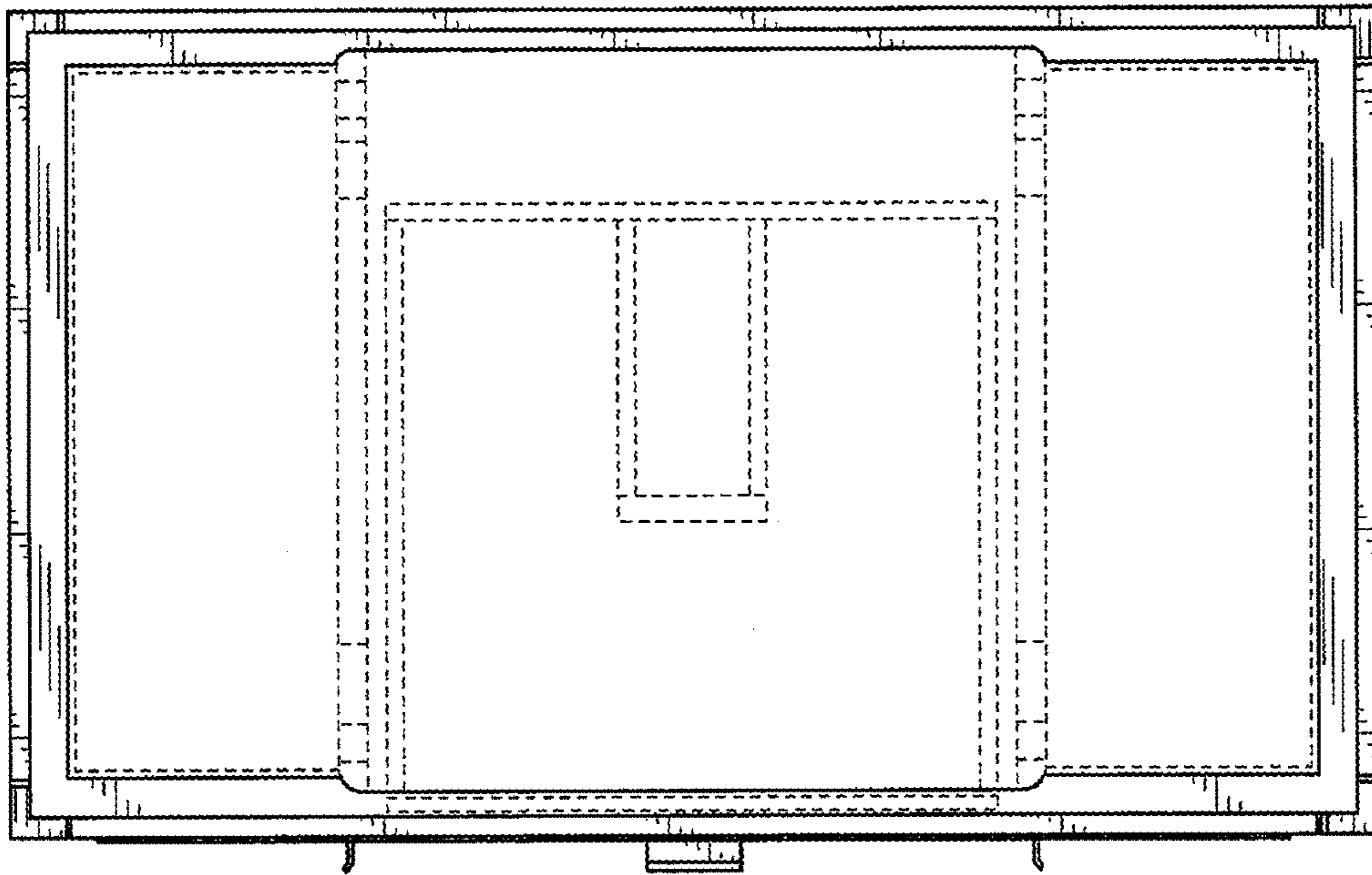


FIG. 5

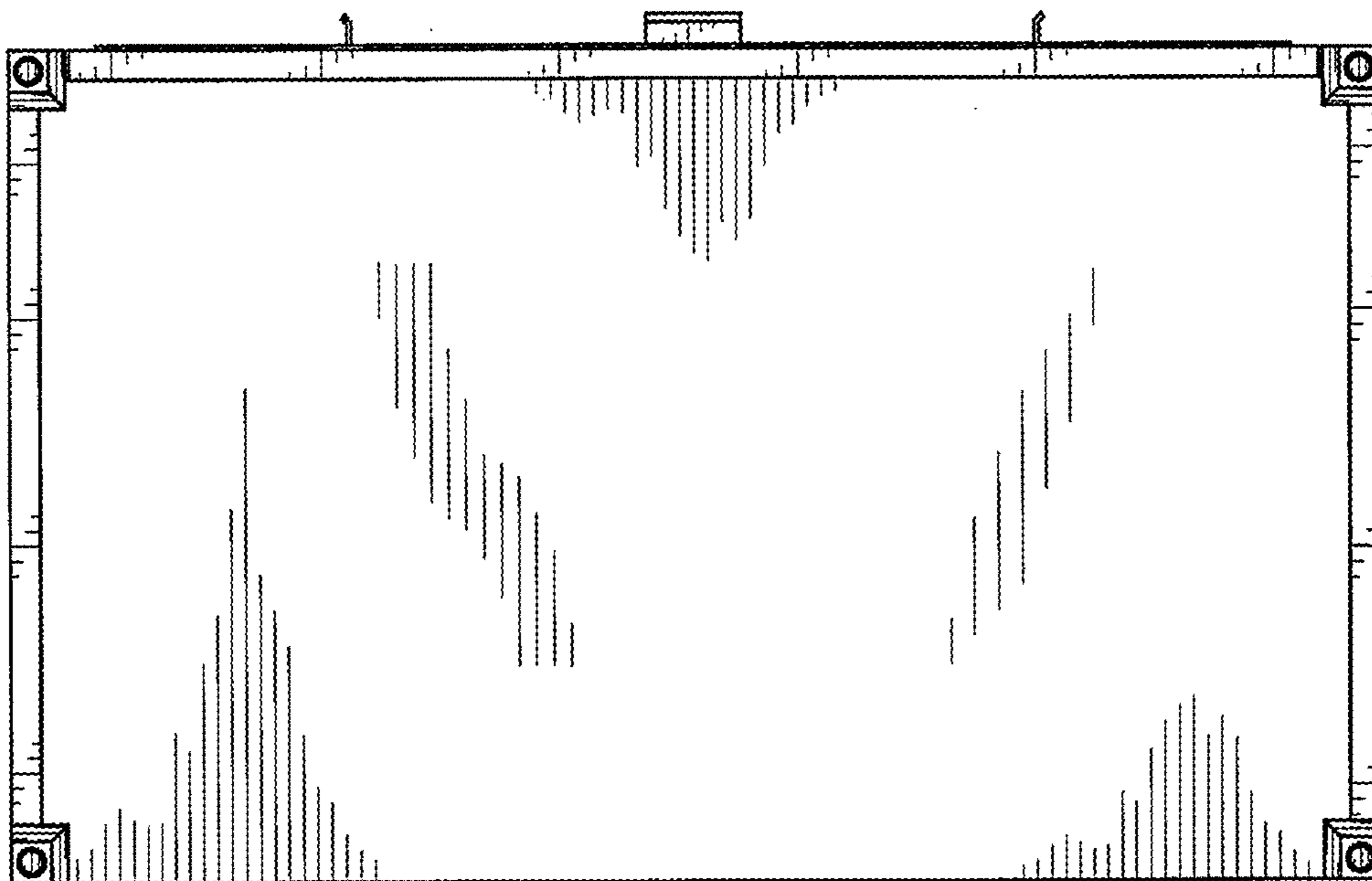


FIG. 6

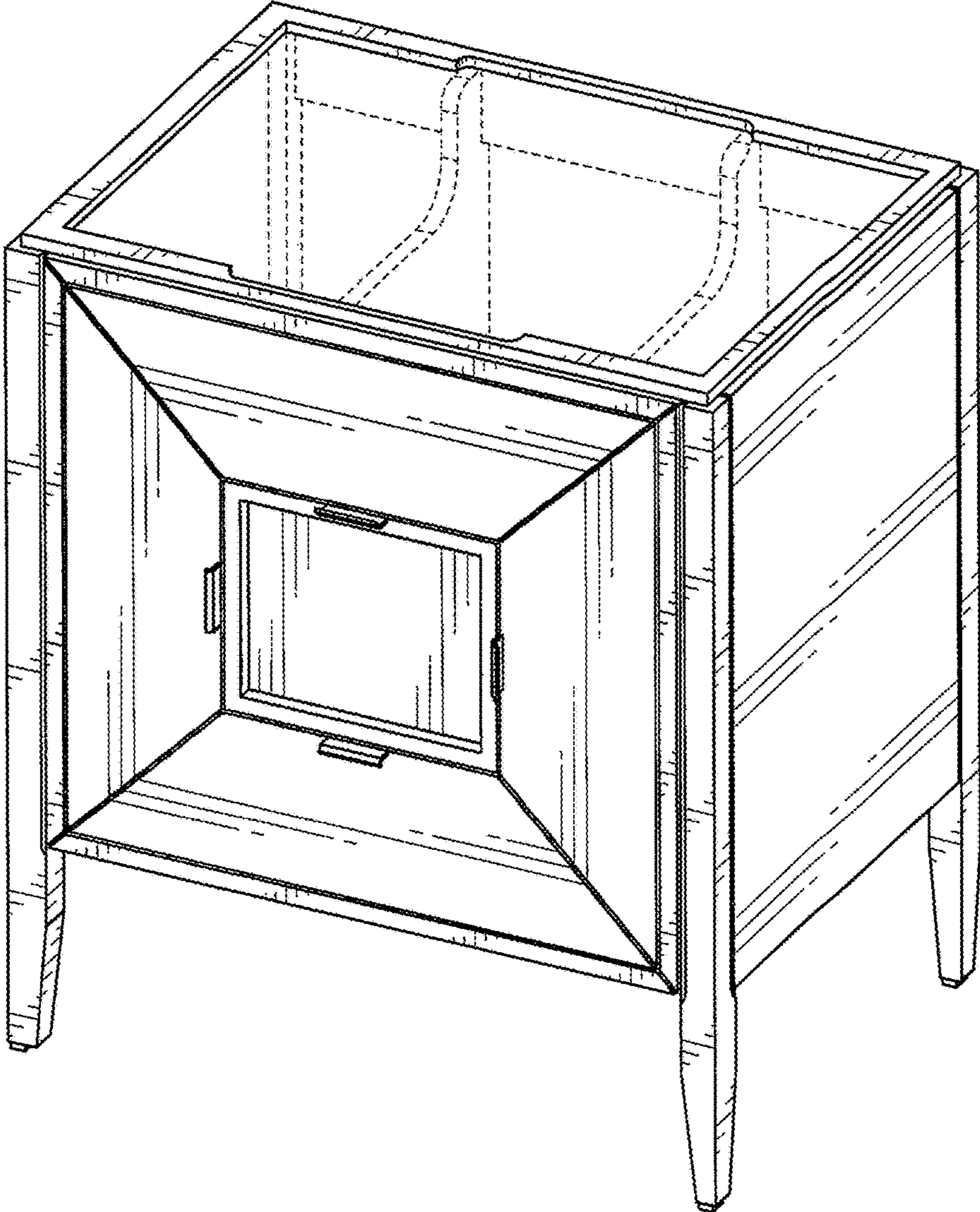


FIG. 7

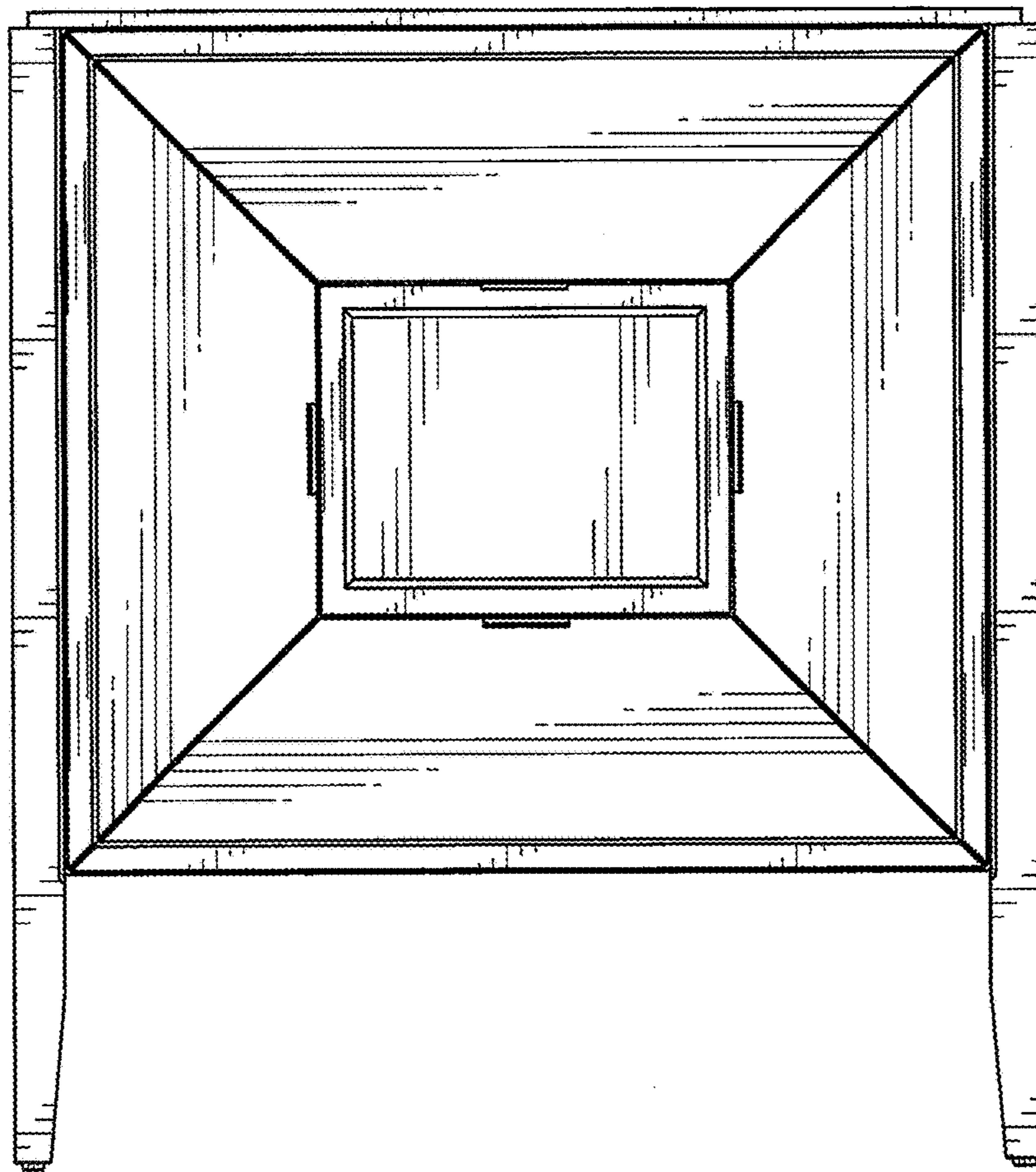


FIG. 8



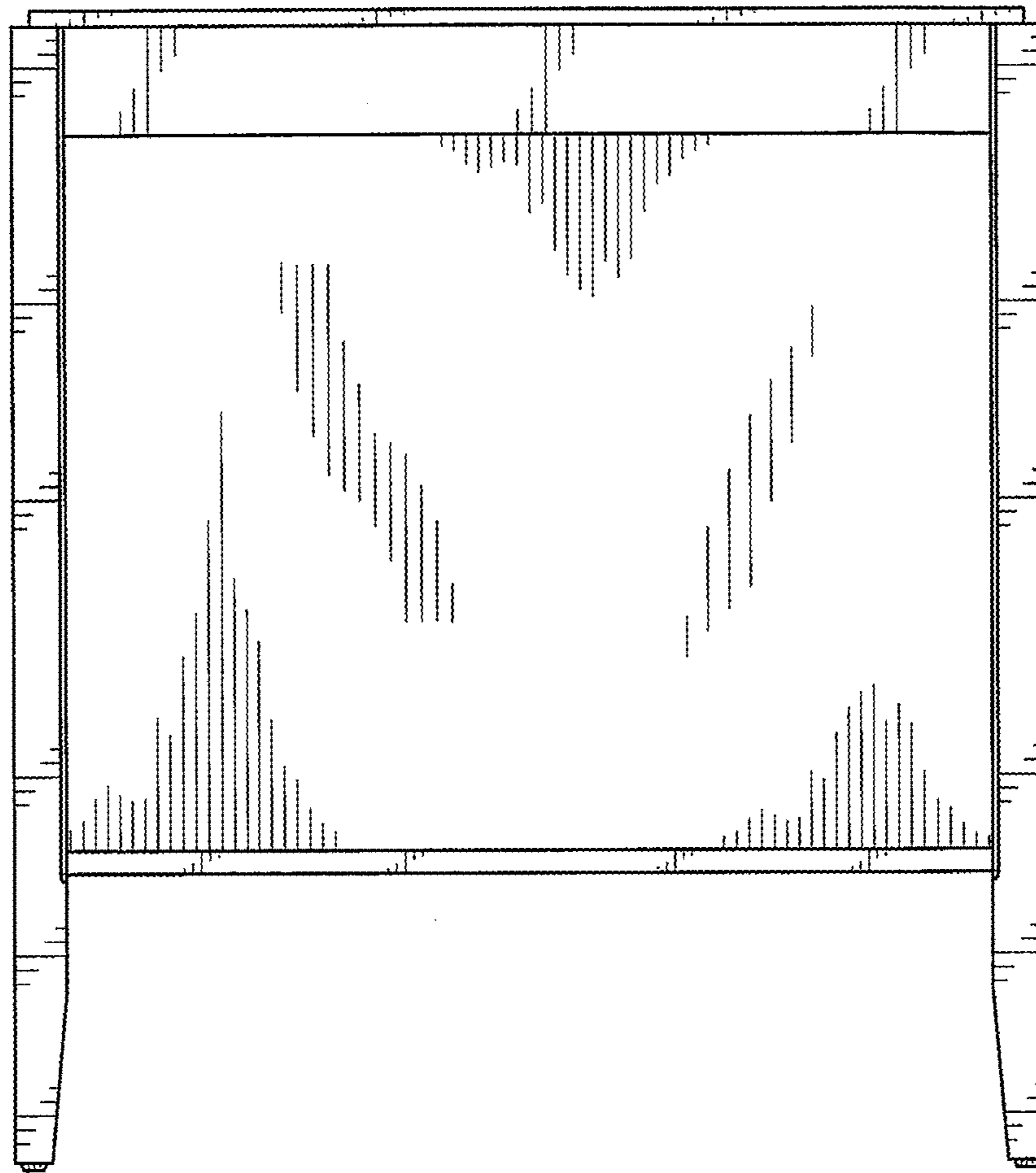


FIG. 9

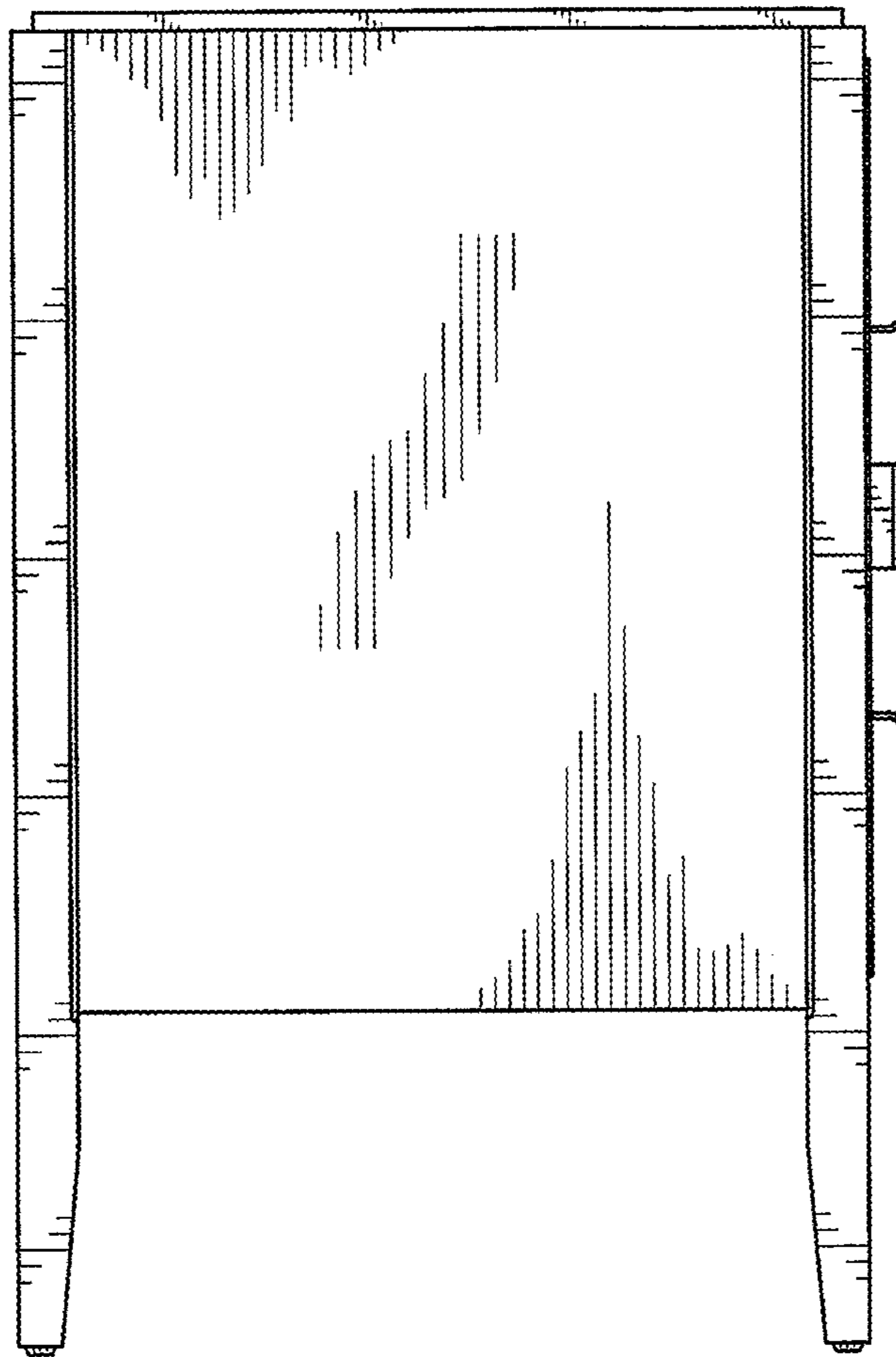


FIG. 10

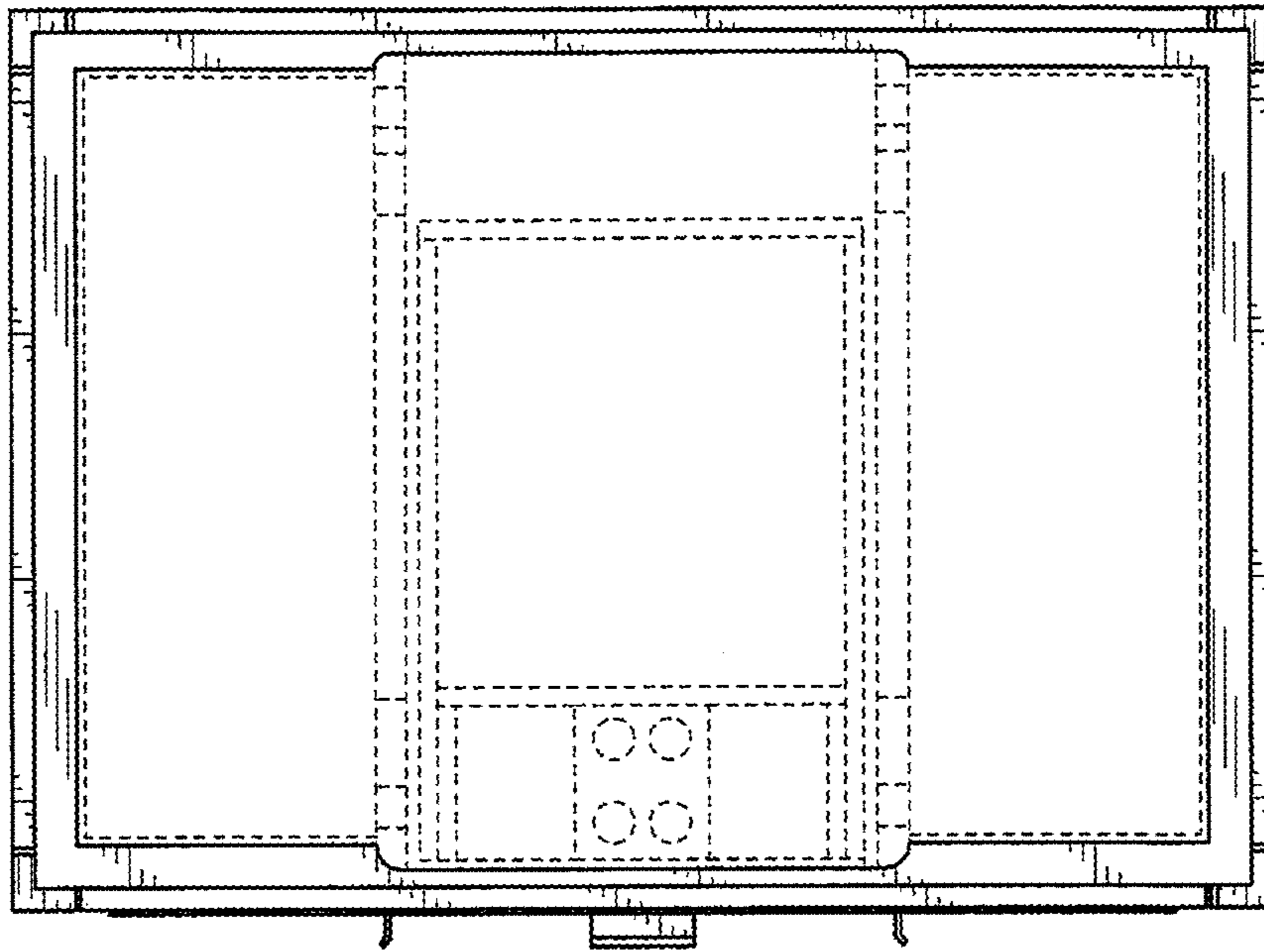


FIG. 11

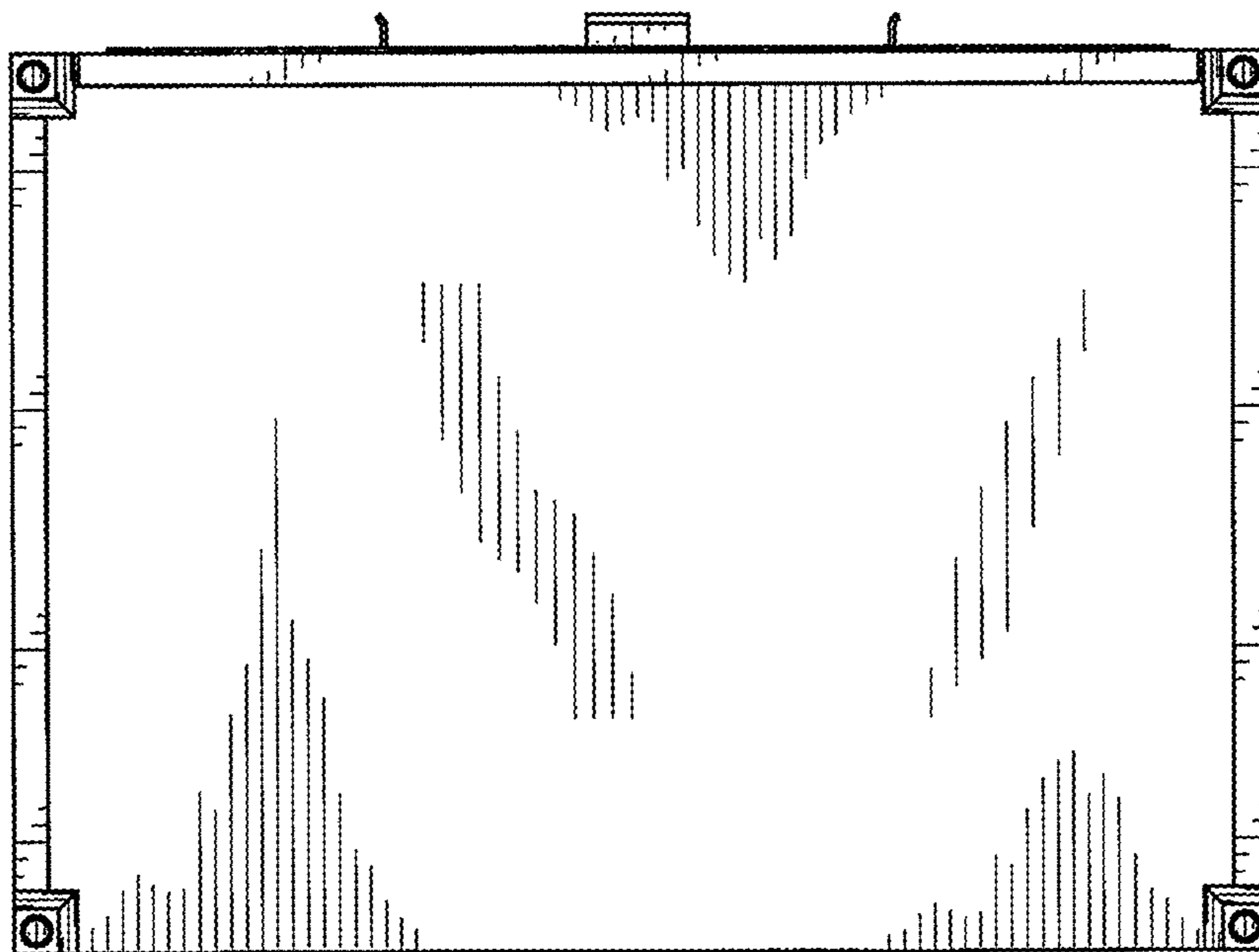


FIG. 12