



US00D812201S

(12) **United States Design Patent**
Ichikawa et al.

(10) **Patent No.:** **US D812,201 S**
(45) **Date of Patent:** **** Mar. 6, 2018**

(54) **HIGH-PRESSURE FUEL INJECTION PIPE**
(71) Applicant: **USUI KOKUSAI SANGYO KAISHA LIMITED**, Shizuoka (JP)
(72) Inventors: **Junichi Ichikawa**, Shizuoka (JP);
Satoshi Notoya, Shizuoka (JP)
(73) Assignee: **USUI Kokusai Sangyo Kaisha Limited** (JP)

(**) Term: **15 Years**
(21) Appl. No.: **29/550,645**
(22) Filed: **Jan. 6, 2016**

(30) **Foreign Application Priority Data**
Aug. 24, 2015 (JP) 2015-018517
(51) **LOC (11) Cl.** **23-01**
(52) **U.S. Cl.**
USPC **D23/259**; D15/5
(58) **Field of Classification Search**
USPC D23/259-261, 262-266; D8/382, 387;
D13/155; D24/106, 129; D14/205, 223,
D14/224.1; 123/468; 138/109
CPC F16L 27/00; F16L 23/00
See application file for complete search history.

(56) **References Cited**
U.S. PATENT DOCUMENTS
D241,881 S * 10/1976 Peterson D24/106
5,109,888 A * 5/1992 Usui B21D 39/04
138/109
5,402,829 A * 4/1995 Takikawa F02M 55/005
138/109
D388,876 S * 1/1998 Sampson D24/129
6,070,618 A * 6/2000 Iwabuchi B21C 37/154
138/143
6,415,768 B1 * 7/2002 Usui F02M 55/02
123/468

6,843,275 B2 * 1/2005 Kato F02M 55/02
123/468
6,935,377 B2 * 8/2005 Furugen F16L 19/0283
138/109
7,213,576 B2 * 5/2007 Furugen B21K 1/14
123/468
D649,240 S * 11/2011 Lewis D24/129
D701,304 S * 3/2014 Lair D24/129
D716,915 S * 11/2014 Seino D23/259
D730,495 S * 5/2015 Umehara D23/262
D731,626 S * 6/2015 Umehara D23/262
D749,195 S * 2/2016 Otaka D15/5

(Continued)

Primary Examiner — Eric L Goodman
Assistant Examiner — Amy C Wierenga
(74) *Attorney, Agent, or Firm* — Eversheds Sutherland
(US) LLP

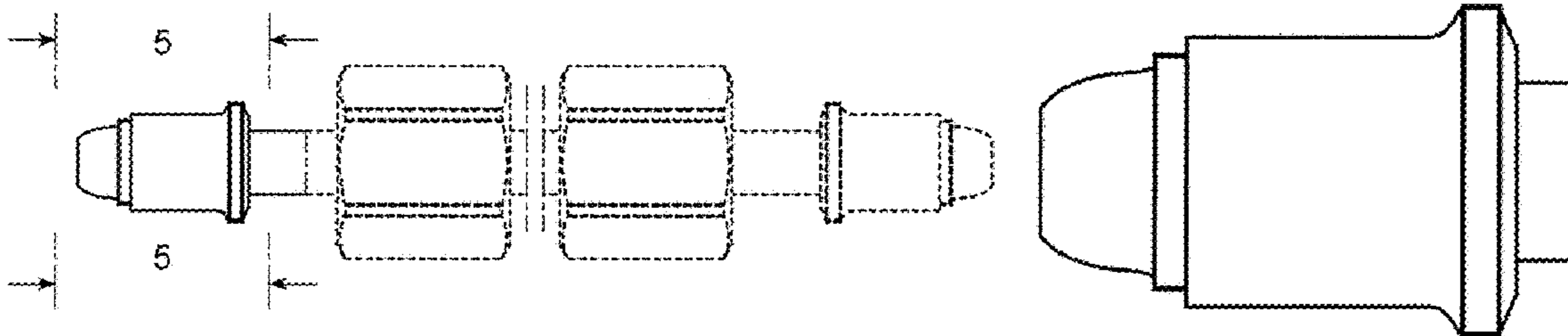
(57) **CLAIM**

The ornamental design for a high pressure fuel injection pipe, as shown and described.

DESCRIPTION

FIG. 1 is a front view of a high pressure fuel injection pipe showing our new design;
FIG. 2 is a top view thereof;
FIG. 3 is a right side view thereof;
FIG. 4 is a left side view thereof;
FIG. 5 is an enlarged view along line 5-5 of FIG. 1;
FIG. 6 is a cross-sectional view along line 6-6 of FIG. 2;
FIG. 7 is an enlarged view along line 7-7 of FIG. 6;
FIG. 8 is an enlarged view of FIG. 4; and,
FIG. 9 is the enlarged view of FIG. 7 shown in a position of use.
The dashed broken line showing is included for the purpose of illustrating portions of the article that form no part of the claim. The dash-dot-dash broken line shown in FIGS. 1, 2, and 6 depict the boundaries of the claim and form no part thereof.

1 Claim, 5 Drawing Sheets



(56)

References Cited

U.S. PATENT DOCUMENTS

D749,196 S * 2/2016 Otaka D15/5
D749,703 S * 2/2016 Otaka D15/5
D764,640 S * 8/2016 Otaka D15/5
2003/0230349 A1* 12/2003 Furugen F02M 55/005
138/109
2004/0135368 A1* 7/2004 Furugen F16L 19/0283
285/259
2005/0127665 A1* 6/2005 Usui F02M 55/025
285/197
2005/0284447 A1* 12/2005 Usui F02M 55/005
123/468
2009/0139595 A1* 6/2009 Kato F02M 55/005
138/109
2009/0151701 A1* 6/2009 Kato F02M 55/005
123/470
2015/0027413 A1* 1/2015 Seino F02M 55/005
123/470
2016/0341163 A1* 11/2016 Sugiyama B23K 35/30

* cited by examiner

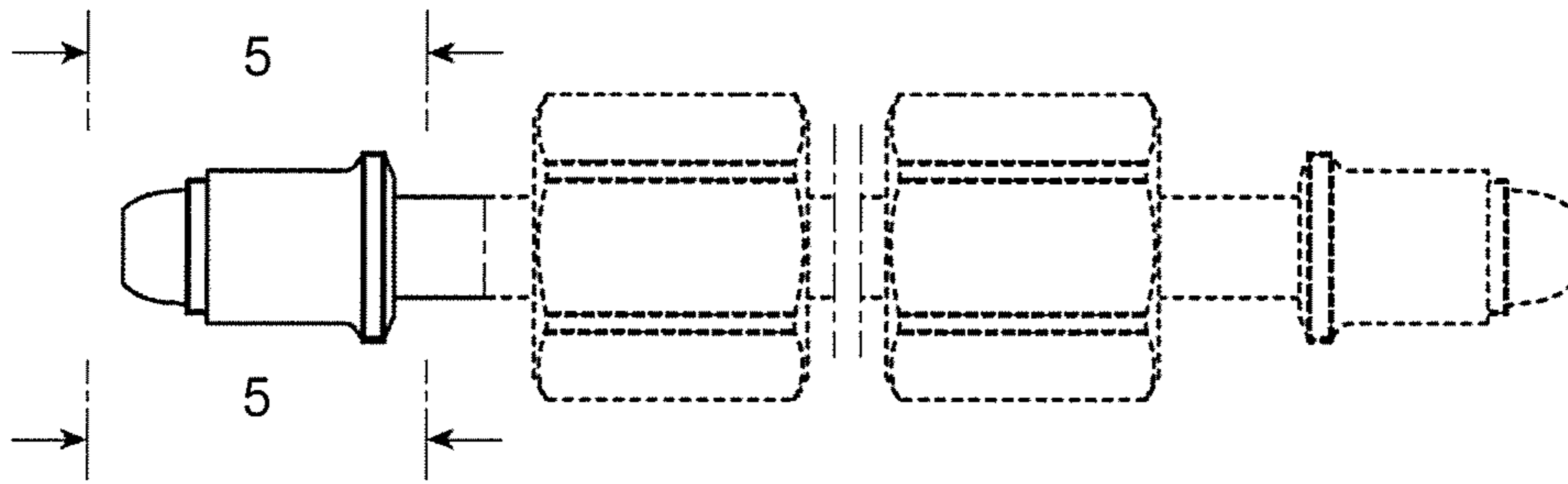


FIG. 1

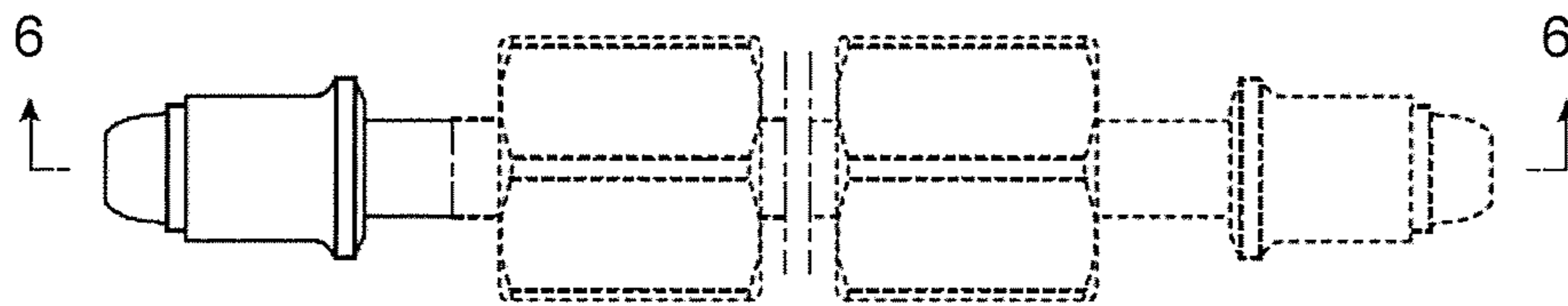


FIG. 2

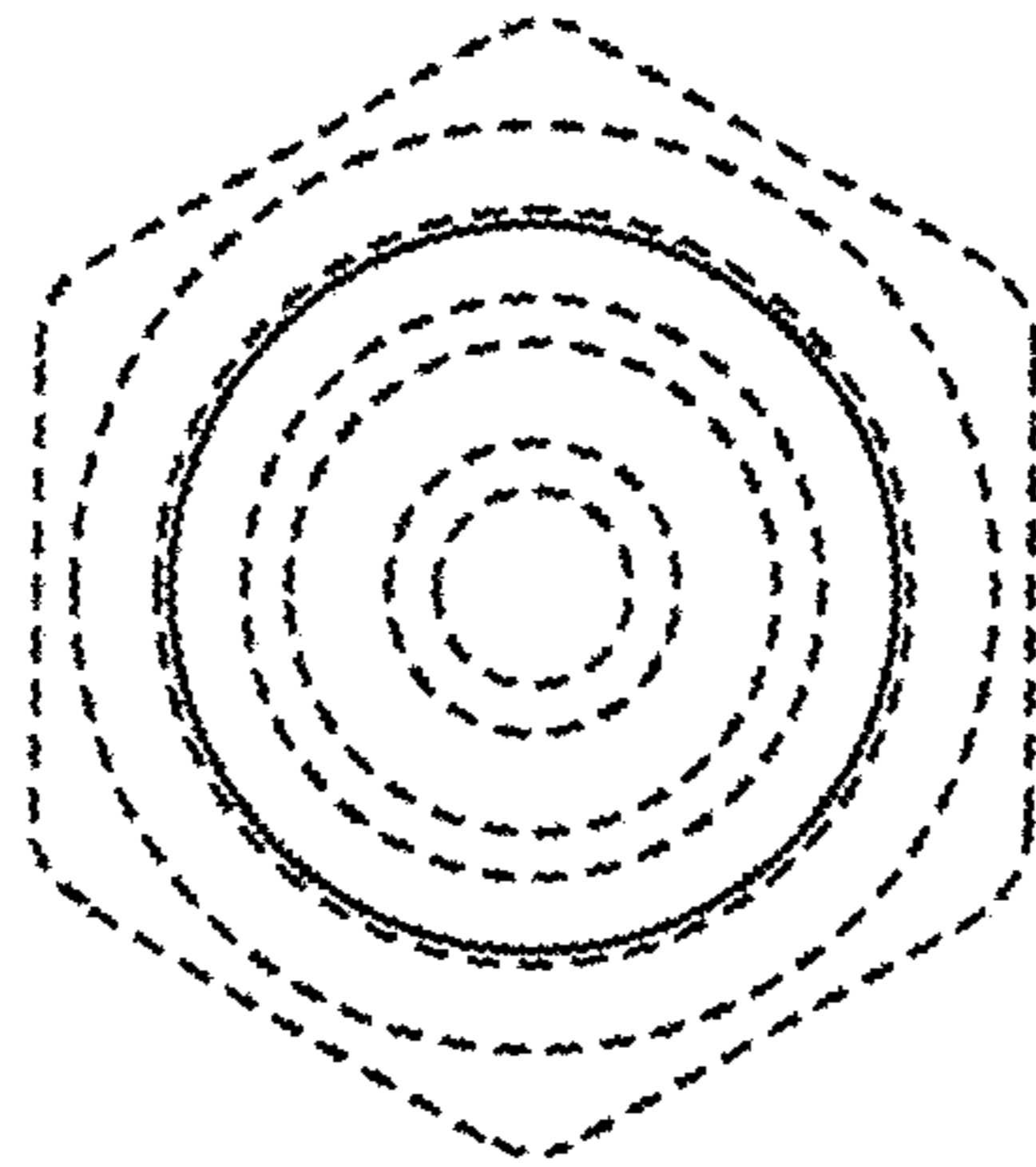


FIG. 3

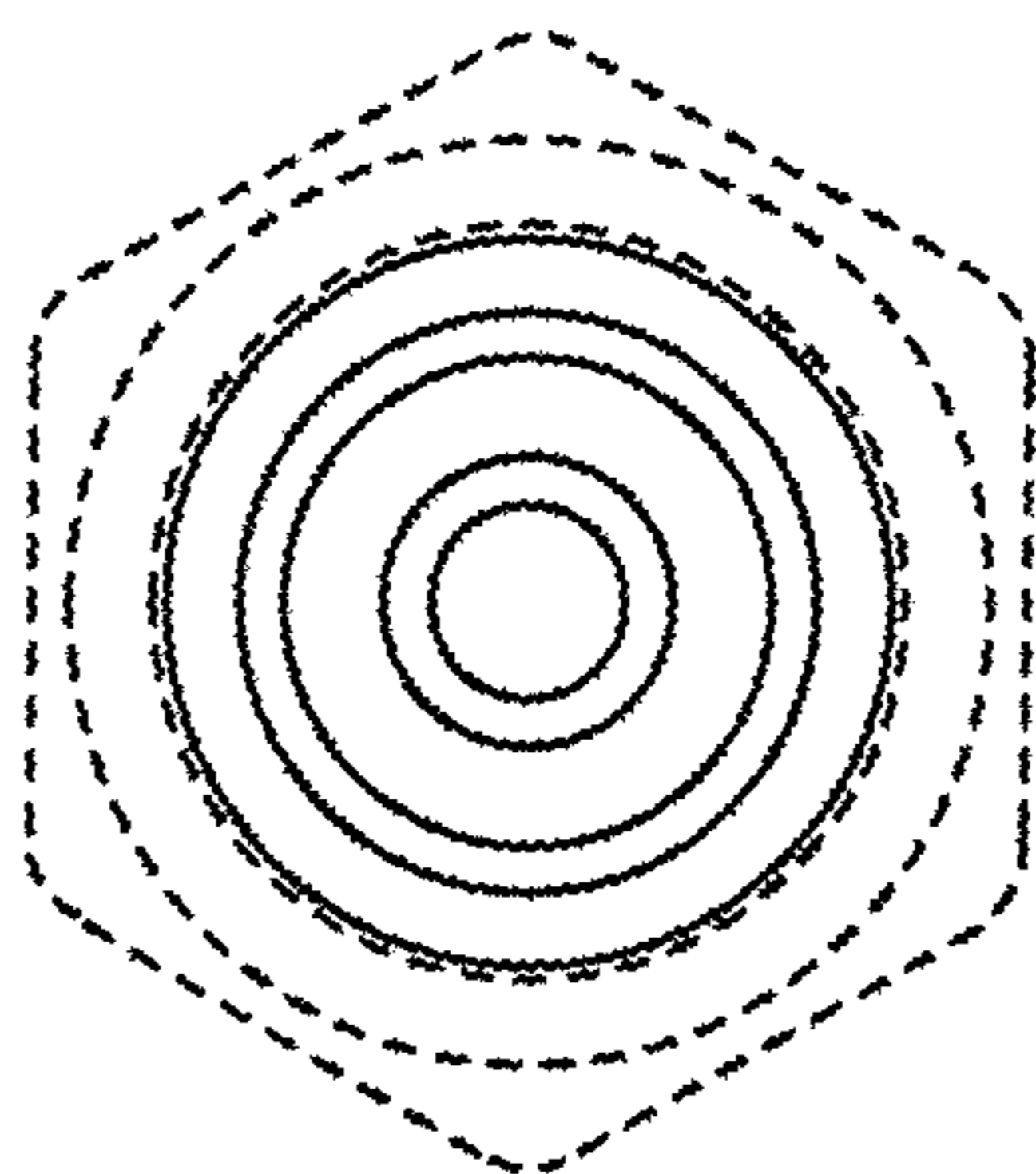


FIG. 4

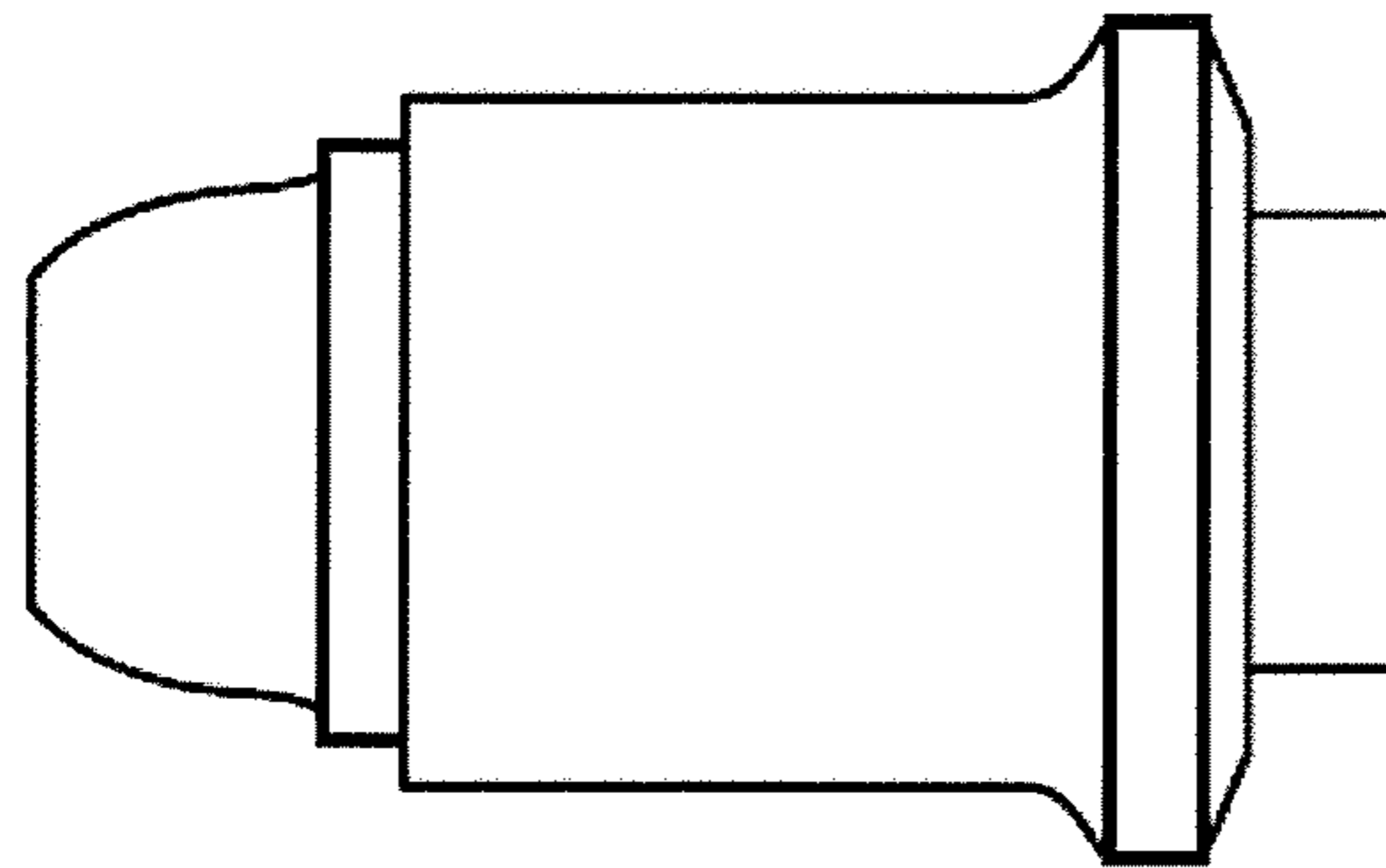


FIG. 5

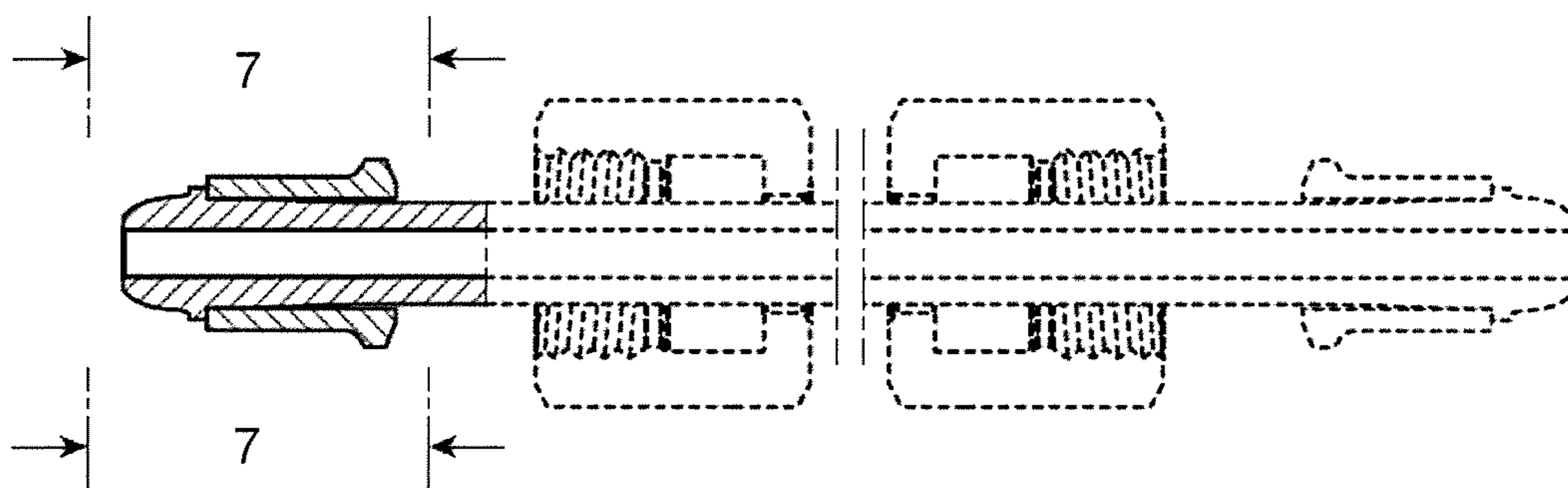


FIG. 6

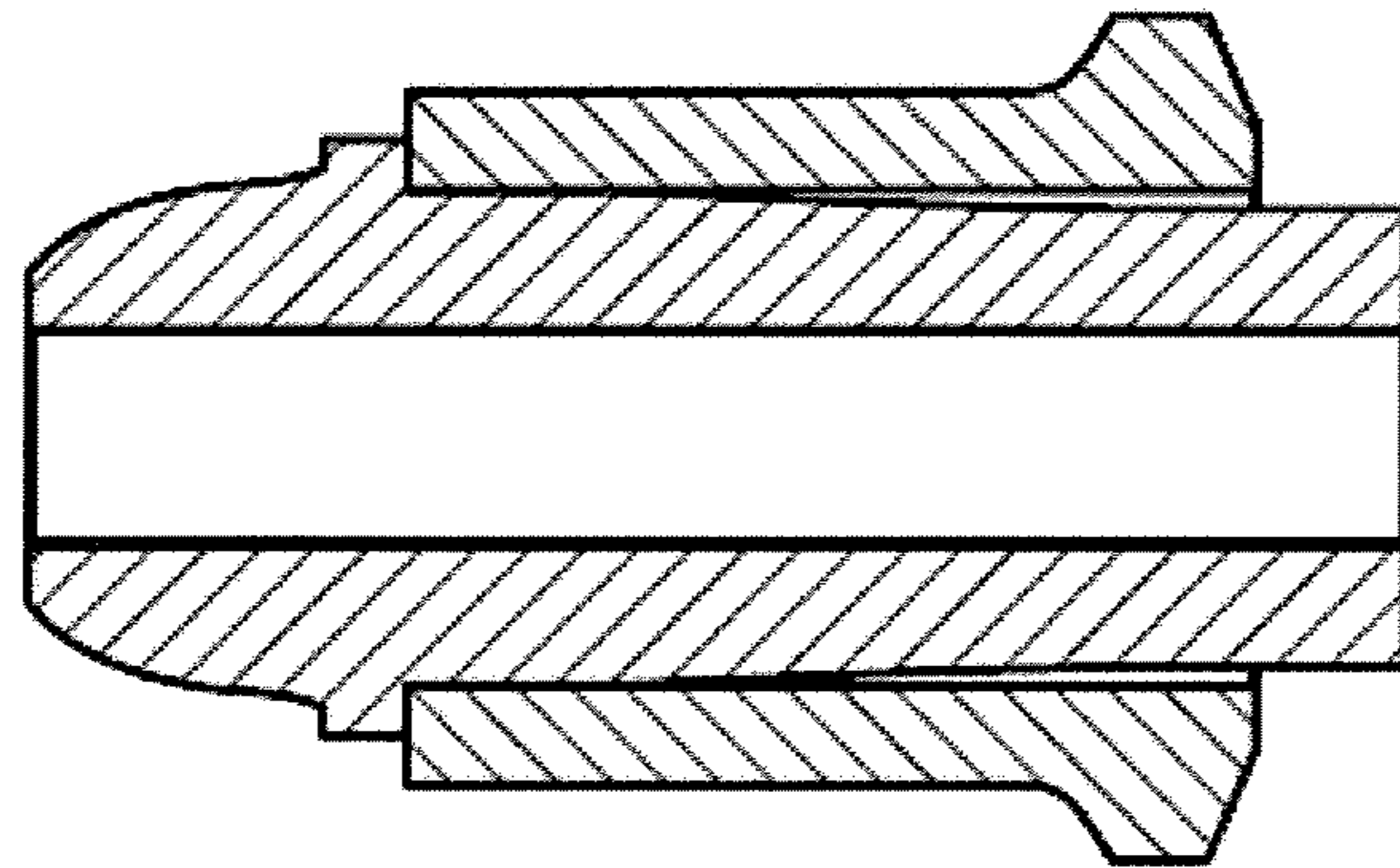


FIG. 7

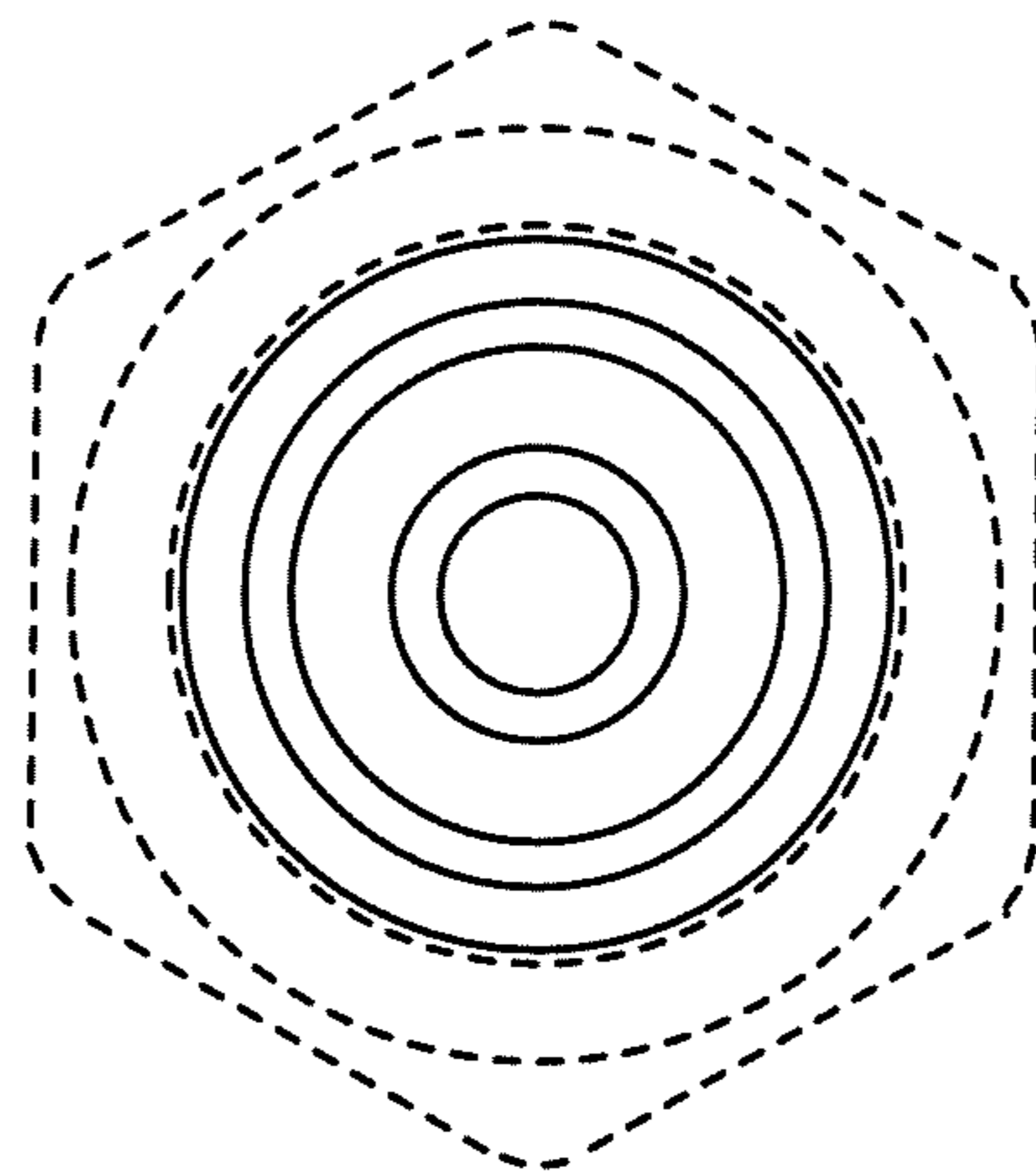


FIG. 8

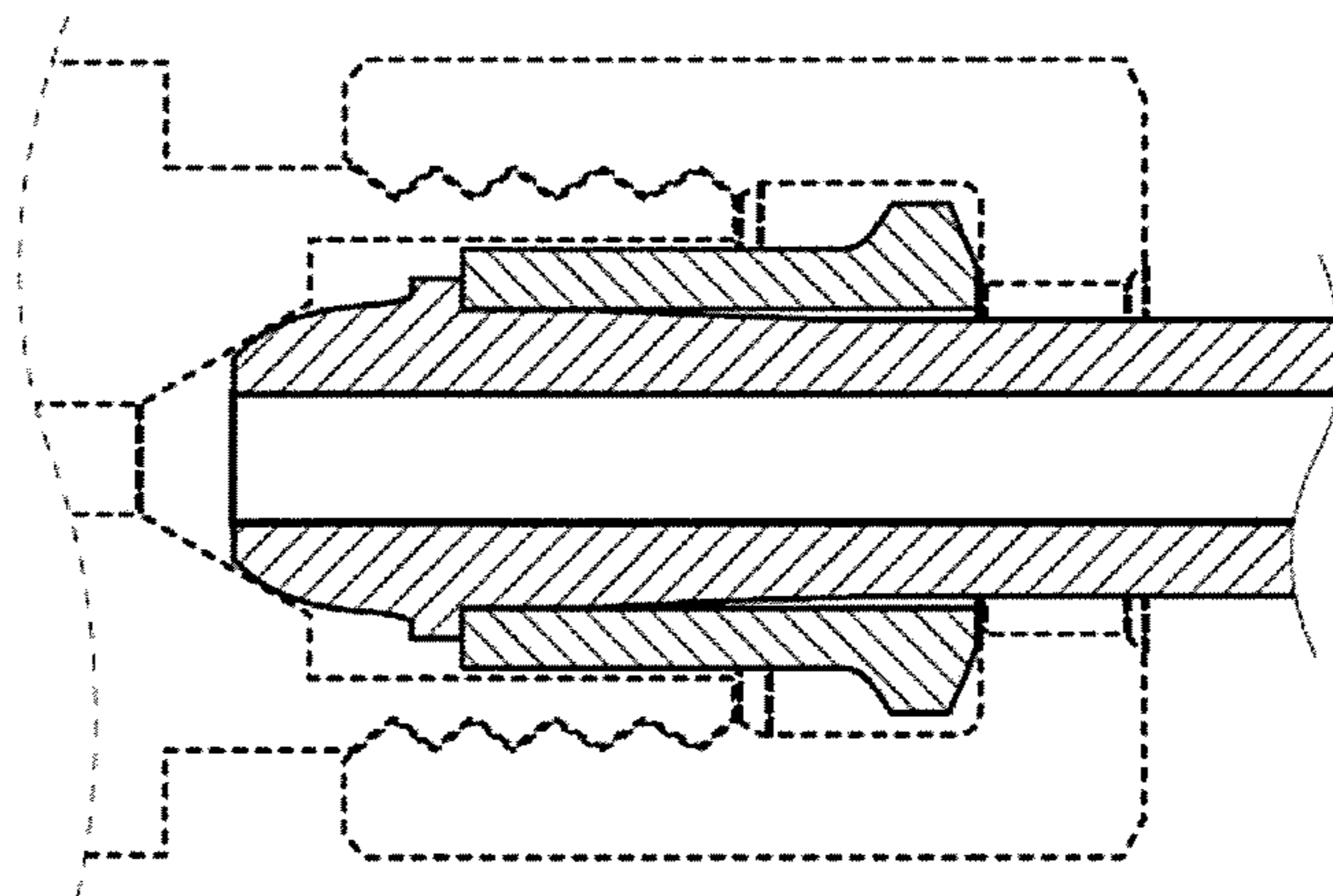


FIG. 9