



US00D812198S

(12) **United States Design Patent**
Liang

(10) **Patent No.:** **US D812,198 S**

(45) **Date of Patent:** **** Mar. 6, 2018**

(54) **FAUCET**

(71) Applicant: **Newbud Industrial Corp.**, Chang Hua Hsien (TW)

(72) Inventor: **Tsang-Fu Liang**, Chang Hua Hsien (TW)

(73) Assignee: **Newbud Industrial Corp.**, Chang Hua Hsien (TW)

(**) Term: **15 Years**

(21) Appl. No.: **29/588,452**

(22) Filed: **Dec. 20, 2016**

(51) **LOC (11) Cl.** **23-01**

(52) **U.S. Cl.**
USPC **D23/255**

(58) **Field of Classification Search**
USPC D23/238, 241-243, 249, 255, 257,
D23/233-237, 245, 250
CPC Y10T 137/9464; E03B 9/20; B01D 27/02;
F16K 31/60
See application file for complete search history.

(56) **References Cited**

U.S. PATENT DOCUMENTS

738,486 A * 9/1903 Rogers B01D 27/02
210/433.1
2,838,270 A * 6/1958 Danielson F16K 31/60
192/46

D278,503 S * 4/1985 Kadar D7/398
5,195,681 A * 3/1993 Chyen E03B 9/20
239/25
D593,534 S * 6/2009 Hsieh D23/250
D751,180 S * 3/2016 Rexach D23/255
D799,896 S * 10/2017 Westrick D7/398

* cited by examiner

Primary Examiner — Robert A Delehanty

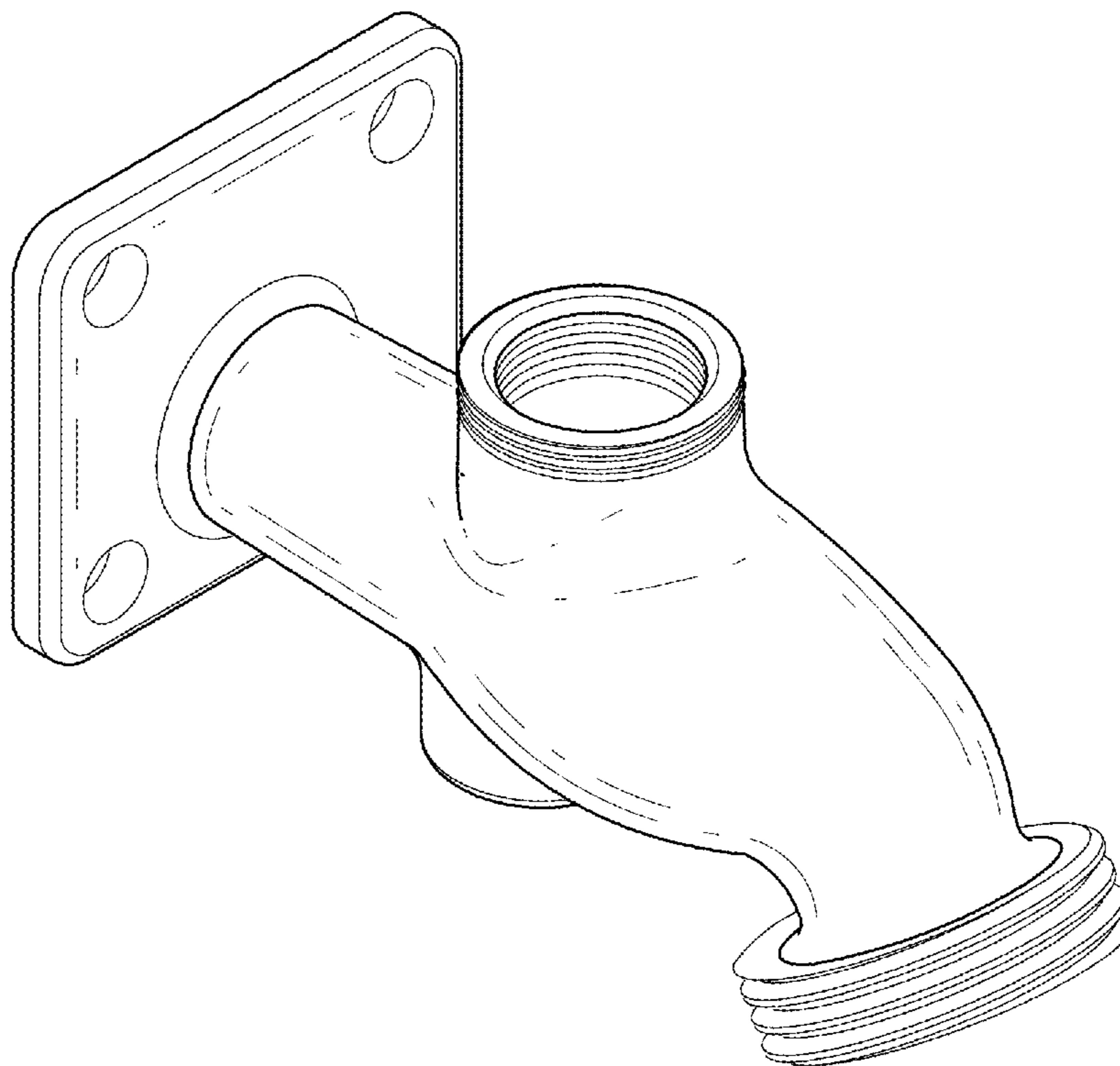
(57) **CLAIM**

The ornamental design for a faucet, as shown and described.

DESCRIPTION

FIG. 1 is a perspective view of a faucet showing my new design;
FIG. 2 is a front elevational view thereof;
FIG. 3 is a rear elevational view thereof;
FIG. 4 is a left side elevational view thereof;
FIG. 5 is a right side elevational view thereof;
FIG. 6 is a top plan view thereof;
FIG. 7 is a bottom plan view thereof; and,
FIG. 8 is a perspective schematic view illustrating an application of a faucet showing my design.
The broken lines in FIG. 8 are for illustrative purposes only and form no part of the claimed design.

1 Claim, 5 Drawing Sheets



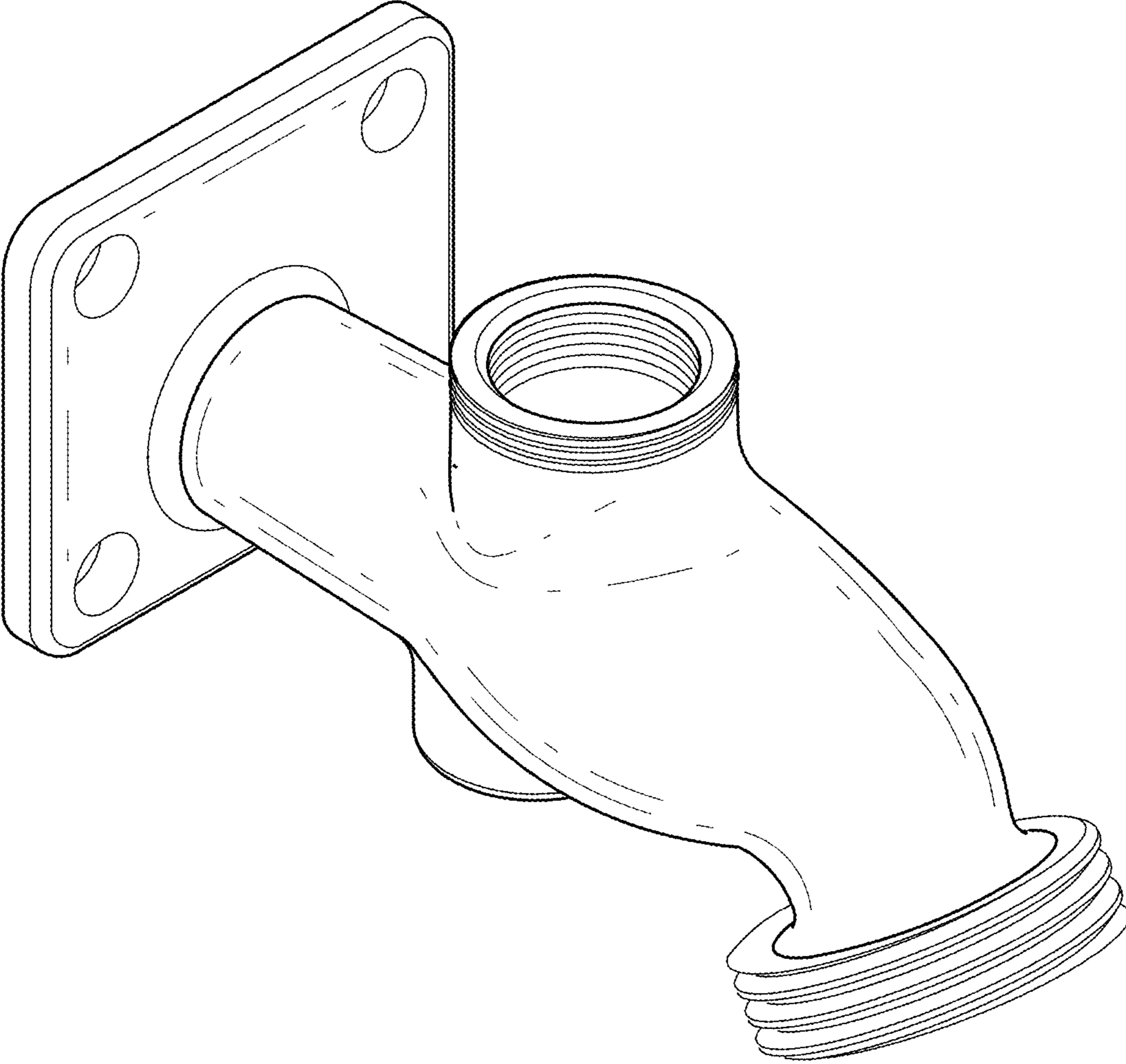


FIG. 1

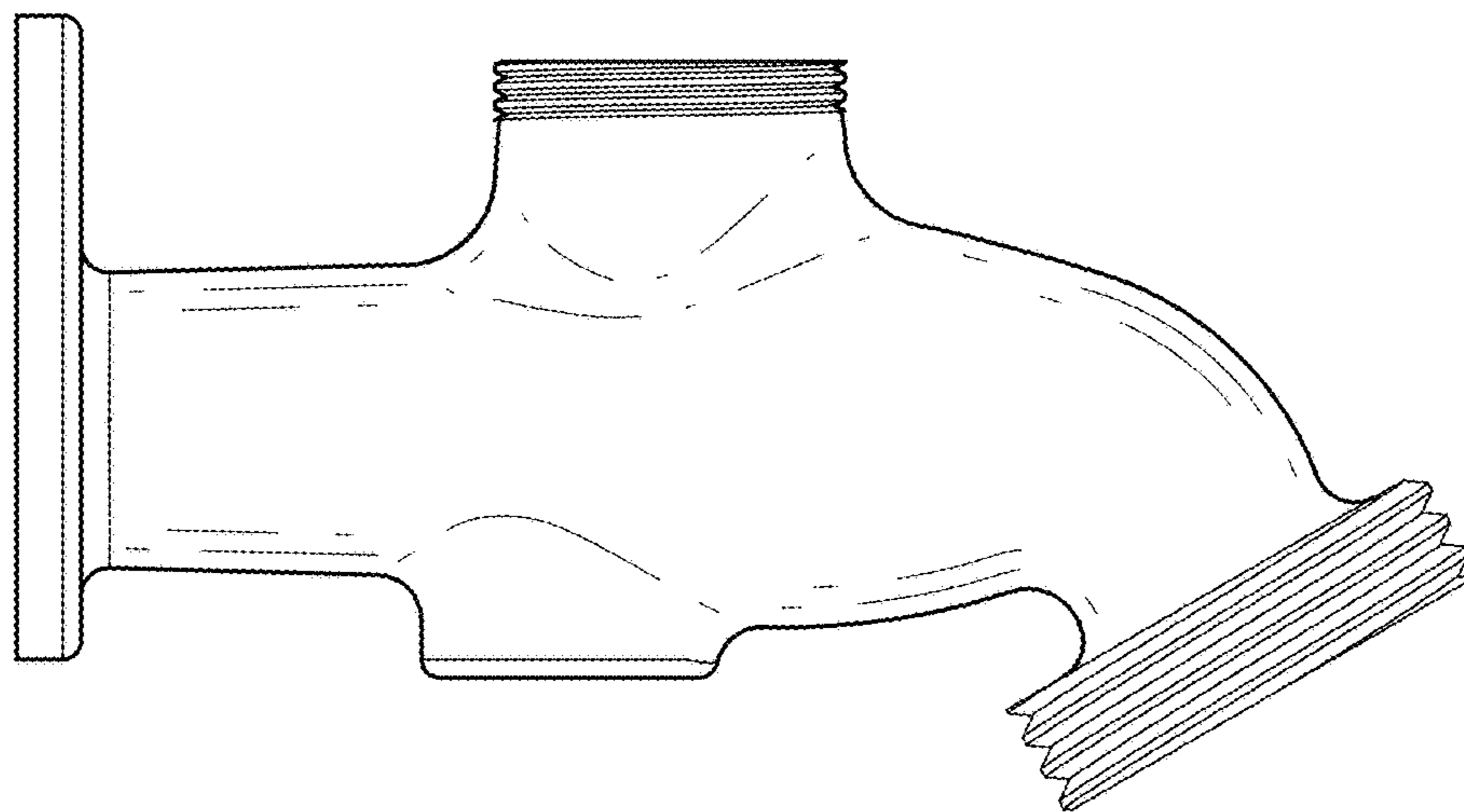


FIG. 2

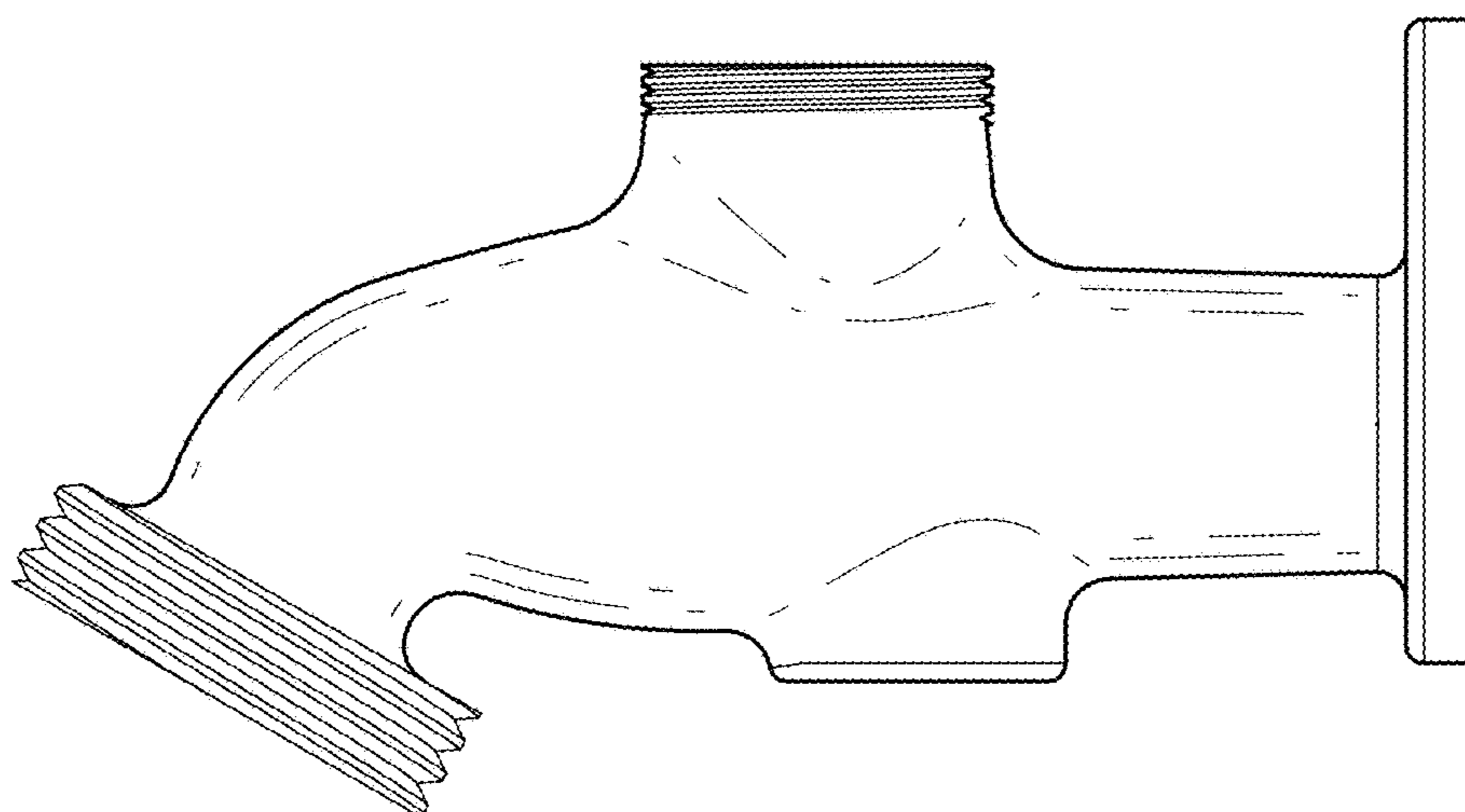


FIG. 3

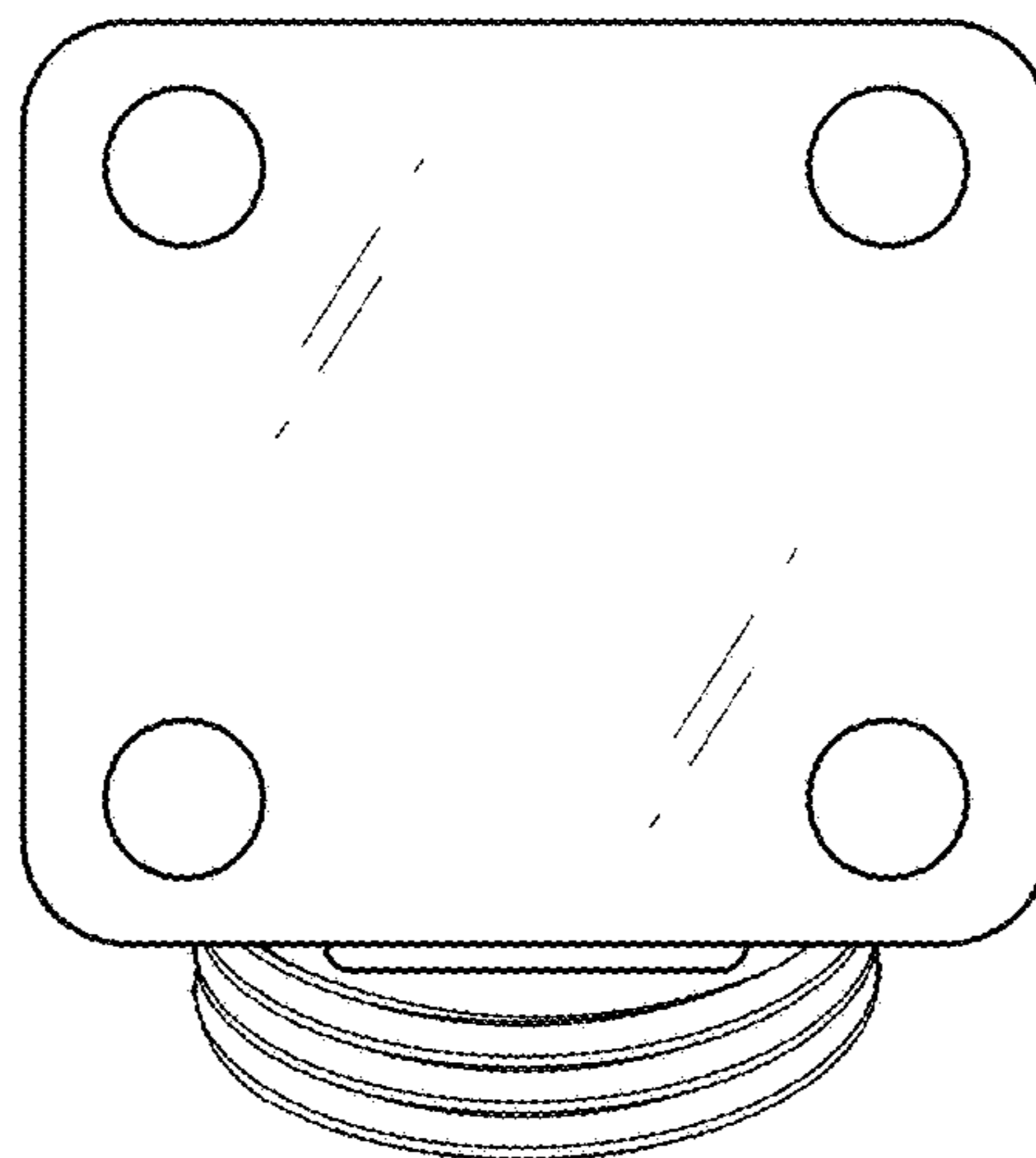


FIG. 4

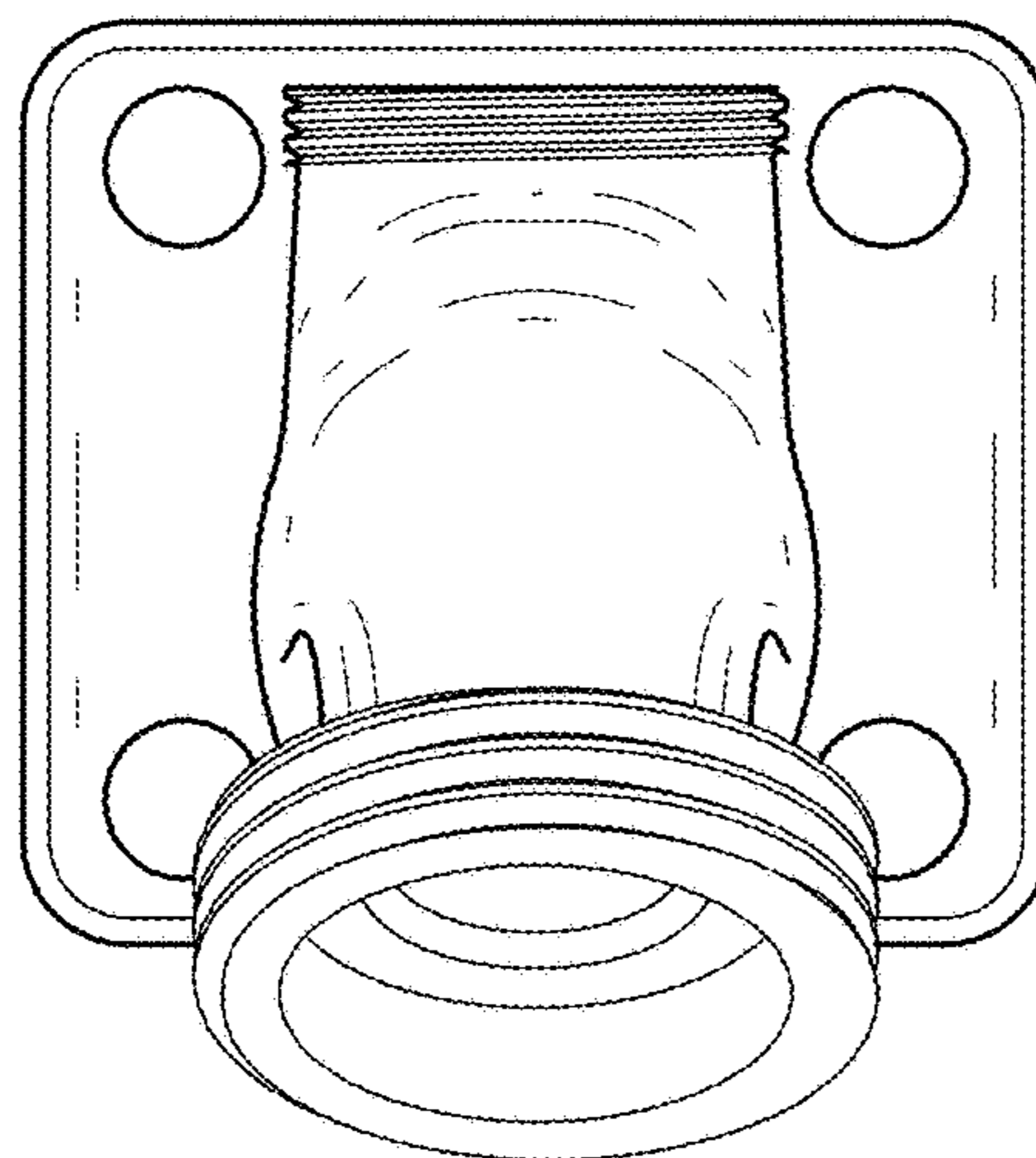


FIG. 5

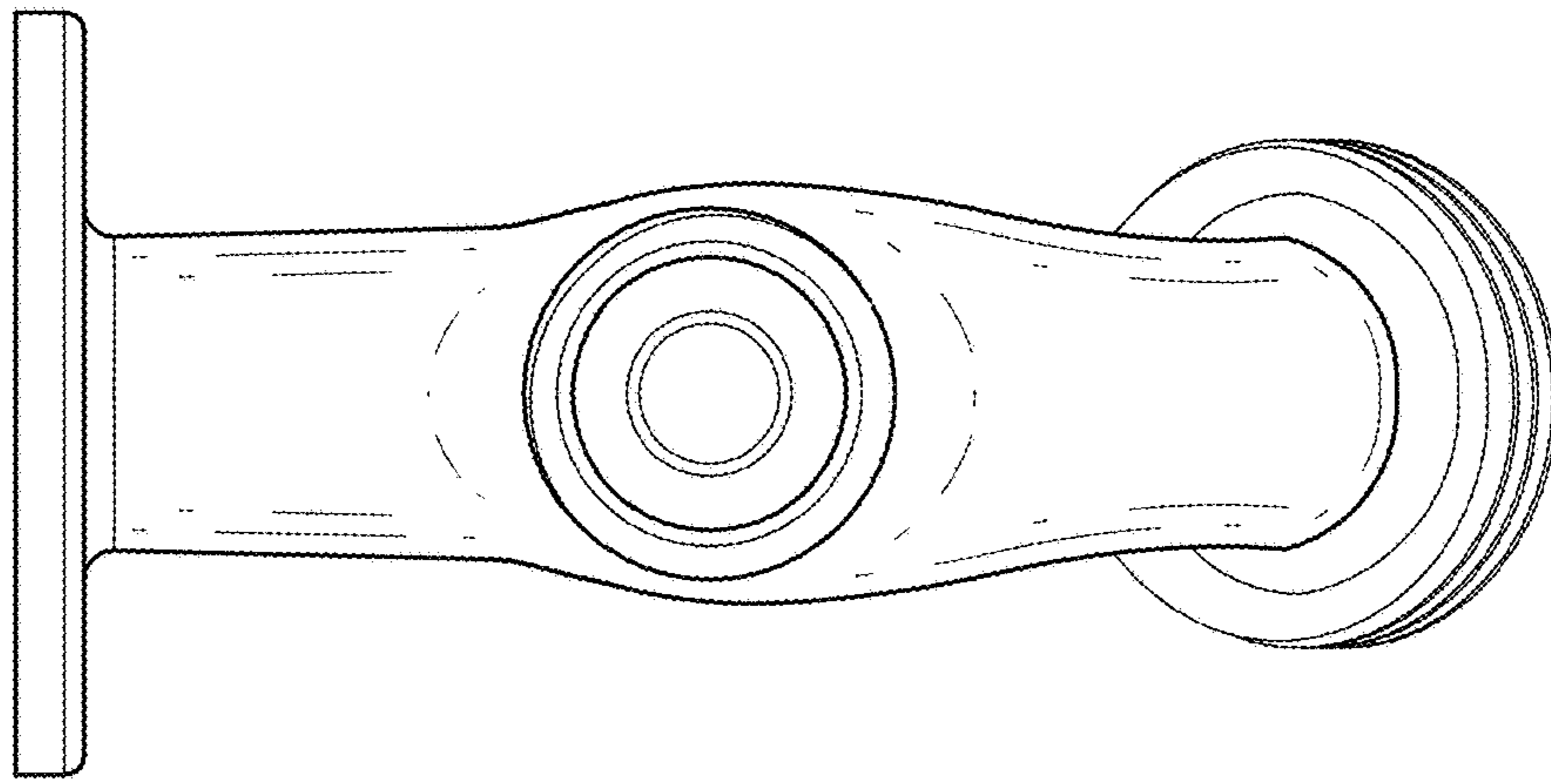


FIG. 6

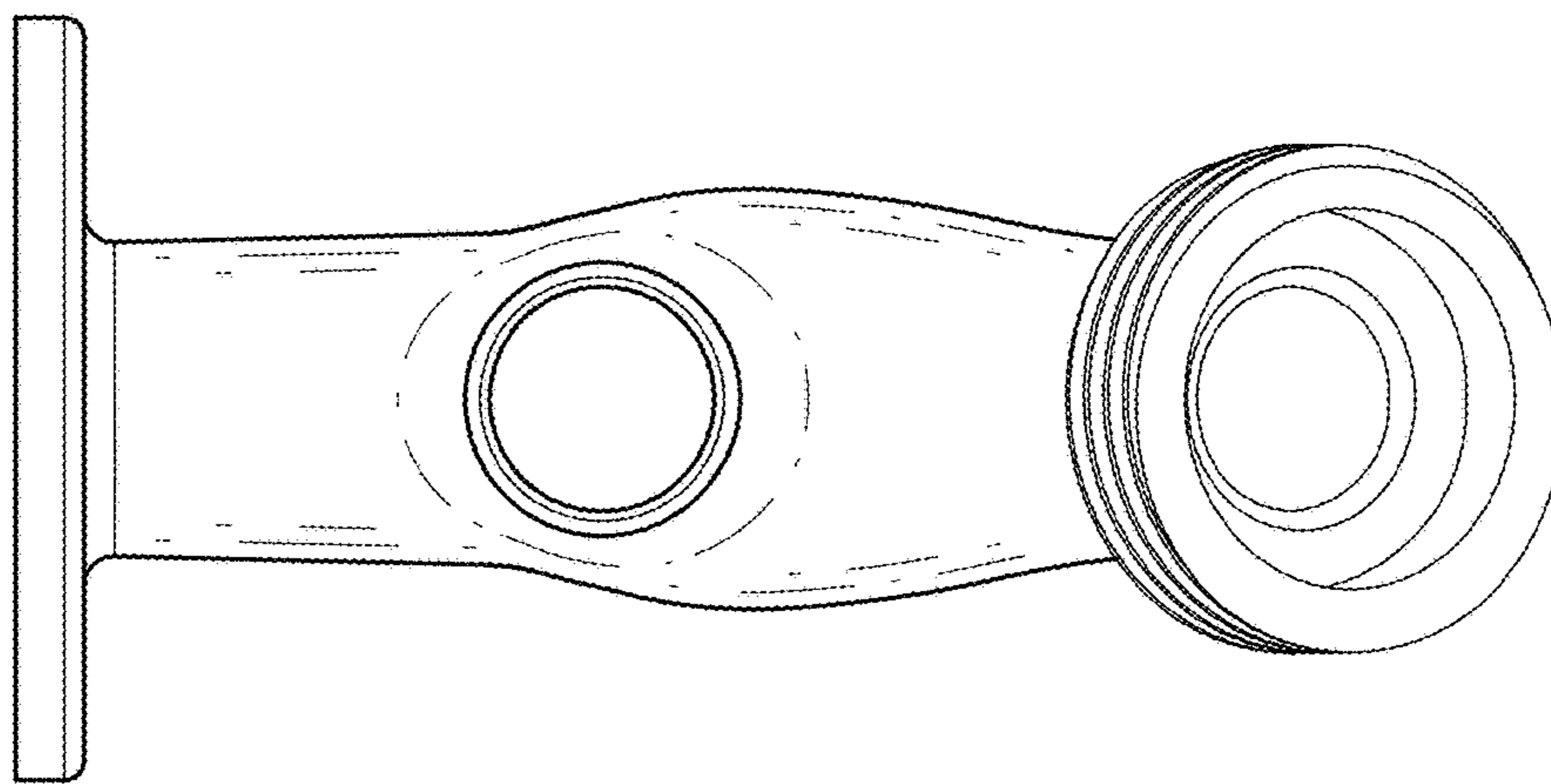


FIG. 7

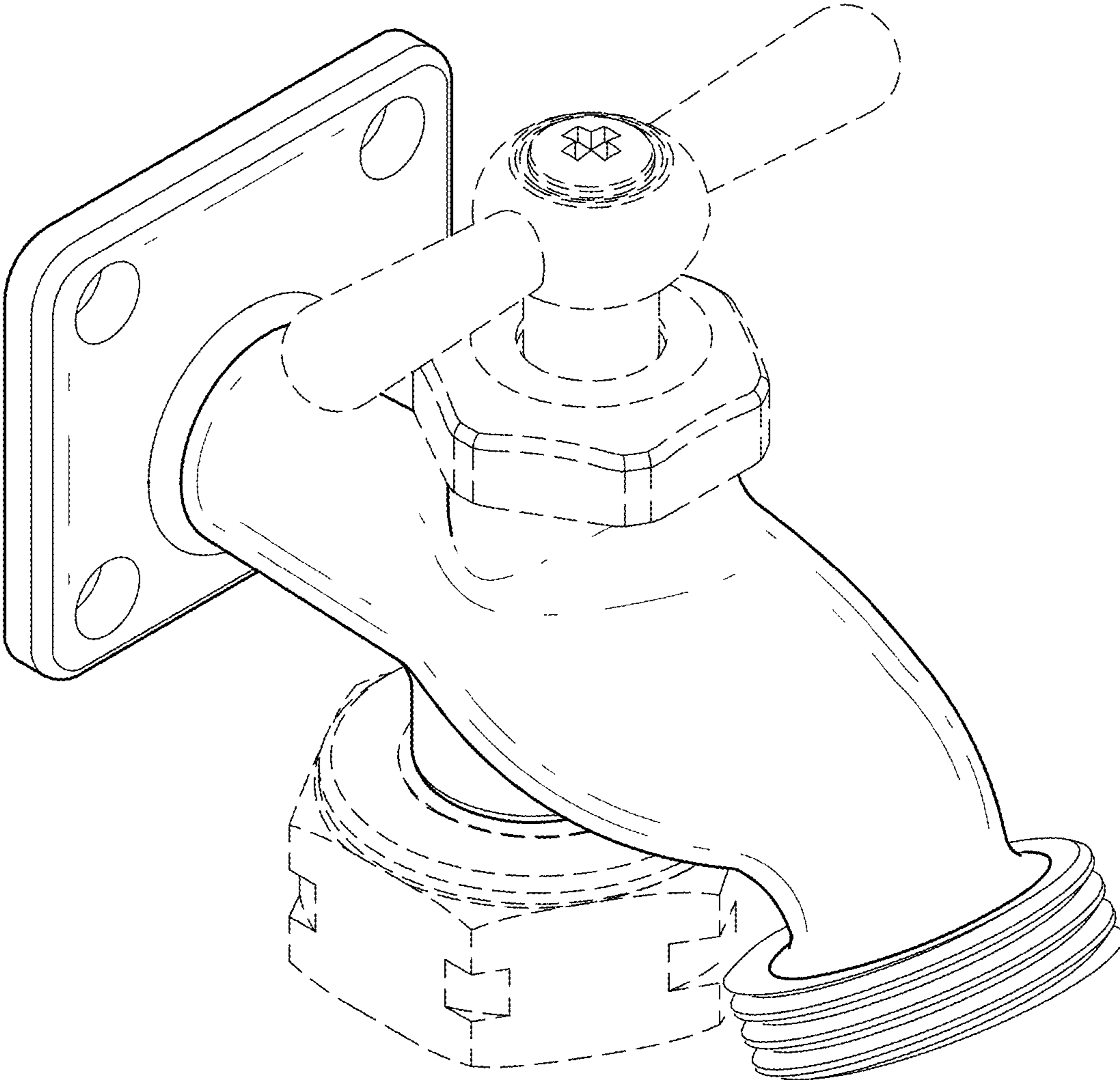


FIG. 8