



US00D812194S

(12) **United States Design Patent**
Yamamoto et al.

(10) **Patent No.:** **US D812,194 S**
(45) **Date of Patent:** **** Mar. 6, 2018**

(54) **OIL EXTRACTOR FOR AUTOMOBILES**

- (71) Applicant: **FUMOTO GIKEN CO., LTD.**,
Miura-gun, Kanagawa (JP)
- (72) Inventors: **Ryohei Yamamoto**, Miura-gun (JP);
Yuho Yamamoto, Miura-gun (JP);
Naoyuki Yamamoto, Miura-gun (JP)
- (73) Assignee: **FUMOTO GIKEN CO., LTD.**,
Miura-gun (JP)

- (**) Term: **15 Years**
- (21) Appl. No.: **29/576,869**
- (22) Filed: **Sep. 7, 2016**

(30) **Foreign Application Priority Data**

Mar. 8, 2016 (JP) 2016-005187

(51) **LOC (11) Cl.** **23-03**

(52) **U.S. Cl.**
USPC **D23/245**

(58) **Field of Classification Search**
USPC D23/233-269, 310; 137/1, 59, 377,
137/315.18, 315.35, 625.5, 625.27,
137/625.44, 625.48, 385, 382, 549, 315.2,
137/315.37; 251/288, 99, 59, 294, 298,
251/349-354, 96, 98, 315.1

(Continued)

(56) **References Cited**

U.S. PATENT DOCUMENTS

- D56,925 S 1/1921 Humphrey
 - D56,926 S 1/1921 Humphrey
- (Continued)

FOREIGN PATENT DOCUMENTS

- CH 163683 A 8/1933
 - DE 102015209919 A1 3/2015
- (Continued)

OTHER PUBLICATIONS

Fumoto Giken Co., Ltd., Publication of US trademark application No. 85-837,373, Published on Apr. 22, 2014.

(Continued)

Primary Examiner — Cynthia Ramirez

Assistant Examiner — Gino Colan

(74) *Attorney, Agent, or Firm* — Masuvalley & Partners

(57) **CLAIM**

The ornamental design for an oil extractor for automobiles, as shown and described.

DESCRIPTION

FIG. 1 is a perspective view of an oil extractor for automobiles showing our new design;

FIG. 2 is a second perspective view of the oil extractor for automobiles of FIG. 1;

FIG. 3 is a third perspective view of the oil extractor for automobiles of FIG. 1;

FIG. 4 is a left side elevation view of the oil extractor for automobiles of FIG. 1;

FIG. 5 is a right side elevation view of the oil extractor for automobiles of FIG. 1;

FIG. 6 is a front elevation view of the oil extractor for automobiles of FIG. 1;

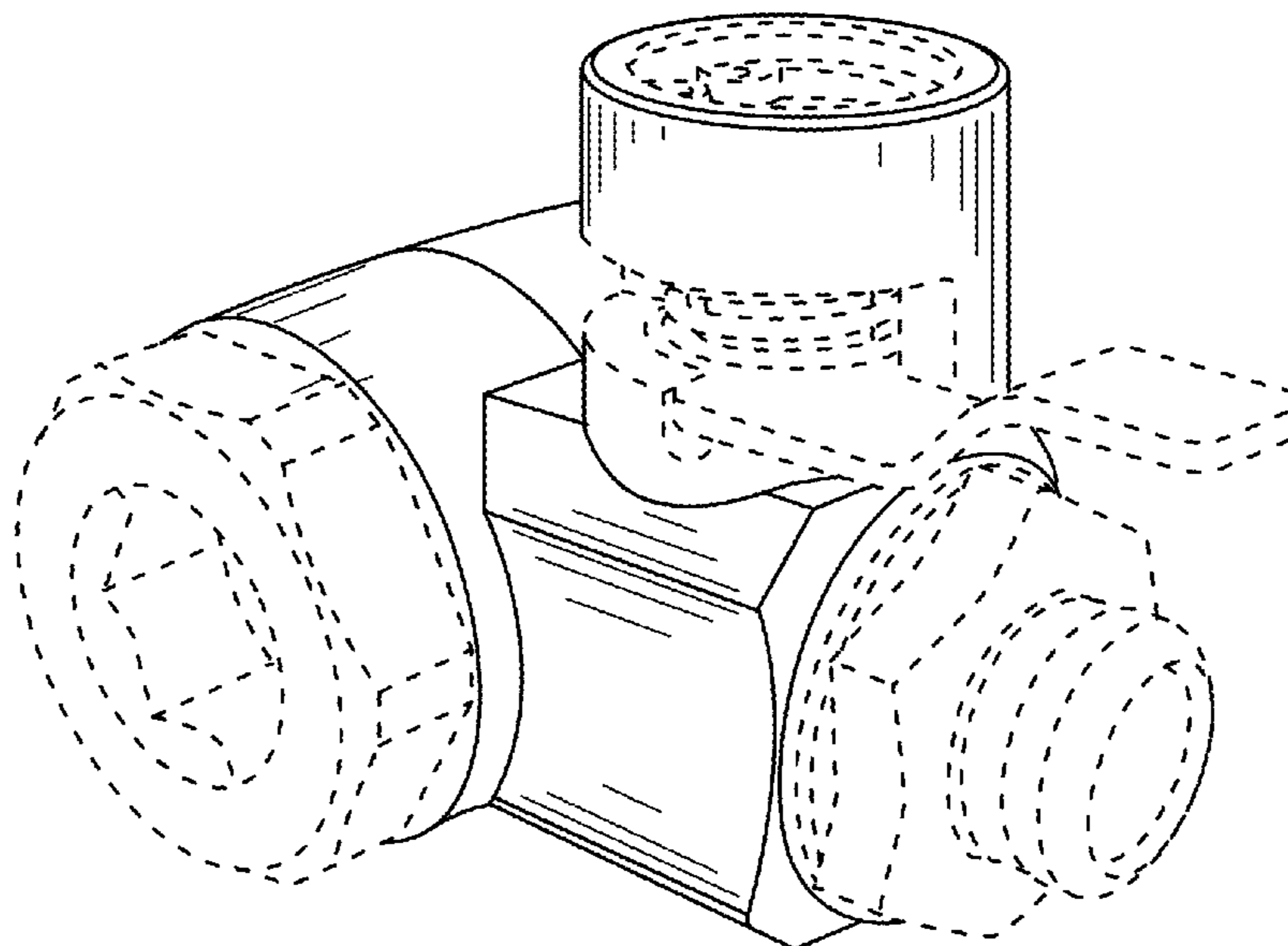
FIG. 7 is a rear elevation view of the oil extractor for automobiles of FIG. 1;

FIG. 8 is a top plan view of the oil extractor for automobiles of FIG. 1; and,

FIG. 9 is a bottom plan view of the oil extractor for automobiles of FIG. 1.

The broken lines shown in the figures are included for the purpose of illustrating portions of the oil extractor for automobiles and form no part of the claimed design.

1 Claim, 9 Drawing Sheets



US D812,194 S

Page 2

(58) **Field of Classification Search**
CPC F16K 39/06; F16K 5/06; F16K 37/0075;
F16K 5/0647; Y10T 137/7043
See application file for complete search history.

2006/0191960 A1 8/2006 Shelton
2007/0163654 A1 7/2007 Elliott
2010/0313966 A1 12/2010 Murg et al.
2014/0124056 A1 5/2014 Leyfang
2015/0041689 A1 2/2015 Rucinski
2015/0345659 A1 12/2015 Yamamoto et al.

(56) **References Cited**

U.S. PATENT DOCUMENTS

D127,961 S * 7/1941 Carlson D23/245
3,623,698 A 11/1971 Couper et al.
3,726,503 A 4/1973 Fawkes
3,954,250 A 5/1976 Grace
4,078,763 A 3/1978 Yamamoto
4,380,247 A 4/1983 Douglas
D297,354 S 8/1988 Wirth
4,964,614 A 10/1990 Sands et al.
5,072,913 A 12/1991 Carroll
5,275,200 A 1/1994 Yamamoto
D375,141 S 10/1996 Valley
6,325,355 B1 12/2001 Johnson
D455,818 S 4/2002 Yamamoto
6,371,155 B1 4/2002 Balocca
D500,123 S 12/2004 Pelletz
D505,184 S 5/2005 Trappa
D516,678 S 3/2006 Tripp et al.
7,226,285 B2 6/2007 Tsai
7,849,877 B2 12/2010 Tan et al.
8,327,867 B2 12/2012 Caleffi
D681,170 S 4/2013 Yamamoto
D681,171 S 4/2013 Yamamoto
D701,945 S 4/2014 Mitsuoka
D701,946 S 4/2014 Mitsuoka
D730,491 S 5/2015 Yamamoto et al.
D755,348 S * 5/2016 Mitsuoka D23/233
D783,777 S * 4/2017 Yamamoto D23/245
D783,778 S * 4/2017 Yamamoto D23/245
2003/0094588 A1 * 5/2003 Chen F01M 11/0408
251/144
2003/0205687 A1 11/2003 McPeak et al.

FOREIGN PATENT DOCUMENTS

EP 2110589 A2 10/2009
GB 473048 A 10/1937
GB 521848 A 6/1940
GB 526708 A 9/1940
GB 1173090 A 12/1969
GB 1222210 A 2/1971
JP S49-38917 Y 10/1974
JP S59-113374 A 6/1984
JP S59-113375 A 6/1984
JP S59-147171 A 8/1984
JP S59-231274 A 12/1984
JP S60-260773 A 12/1985
JP 837859 S 5/1992
JP H05-79137 U 10/1993
JP H05-83560 U 11/1993
JP 837859 S 4/1995
JP 2546566 Y2 5/1997
JP D1113929 S 7/2001
JP 2002-106731 A 4/2002
JP 2005-233395 A 9/2005
JP 2015-161337 A 9/2015
JP 2016-6346 A 1/2016

OTHER PUBLICATIONS

Fumoto Giken Co., Ltd., Publication of US trademark application
No. 85-828,222, Published on Apr. 22, 2014.

* cited by examiner

FIG. 1

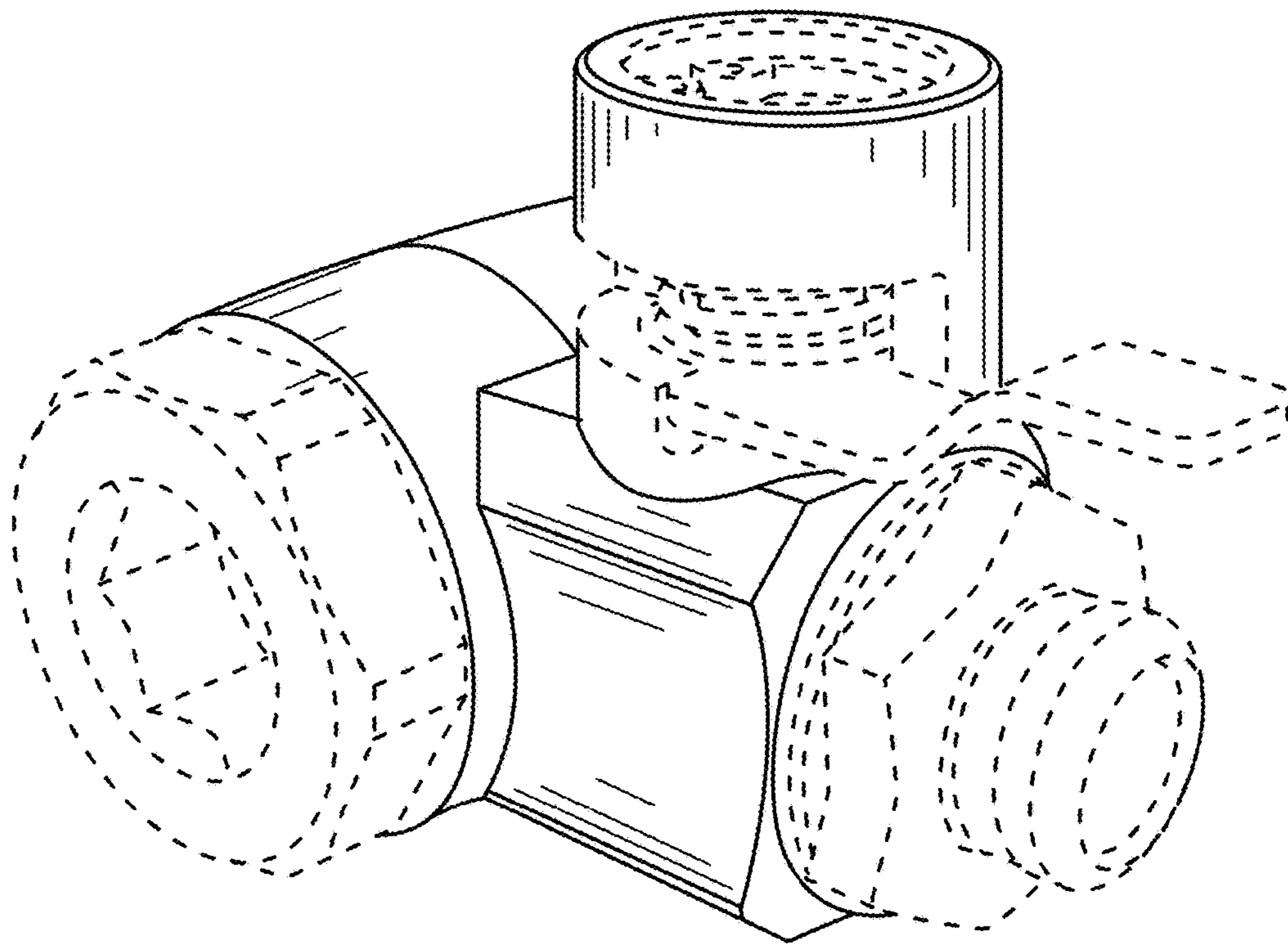


FIG. 2

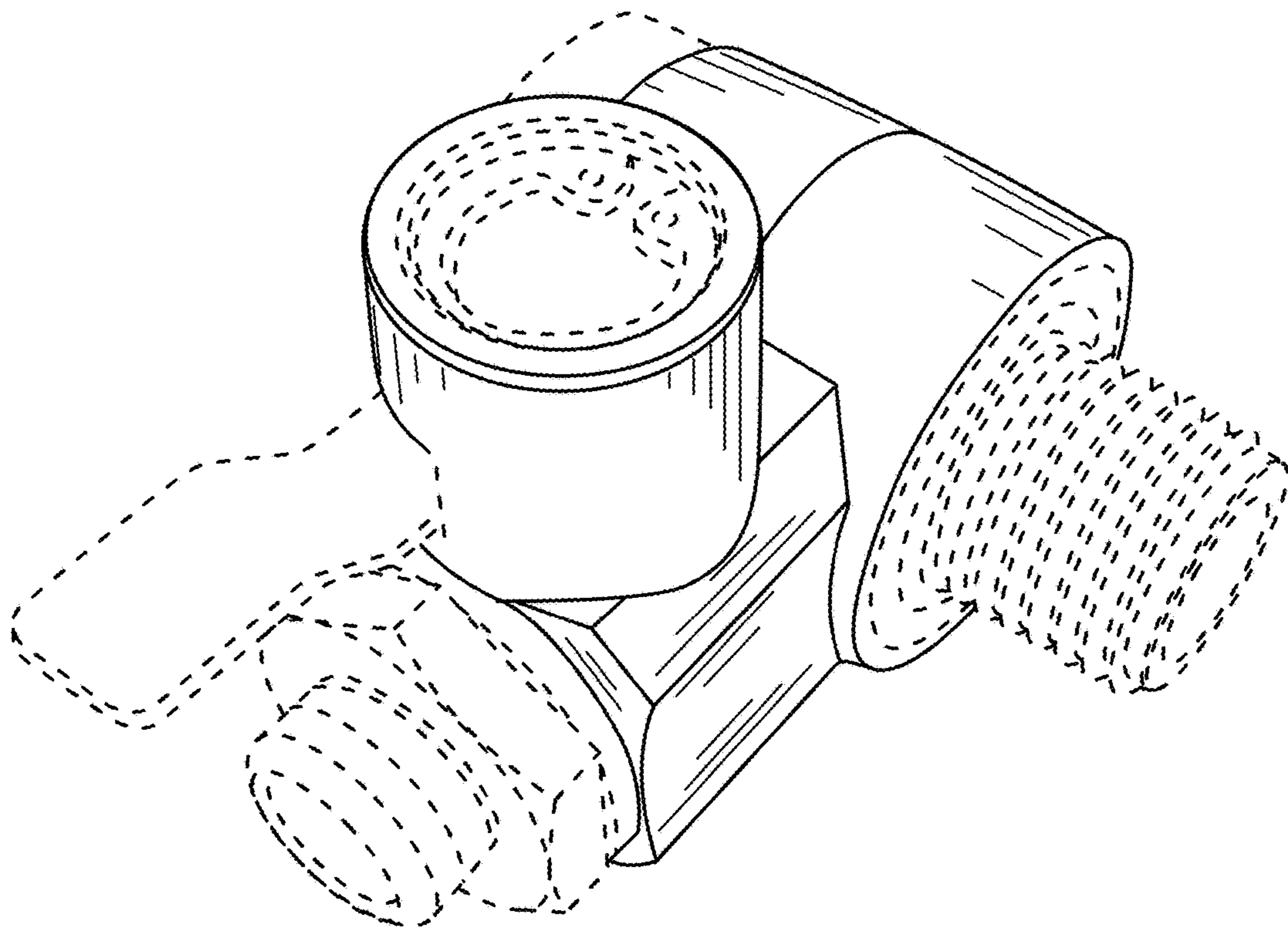


FIG. 3

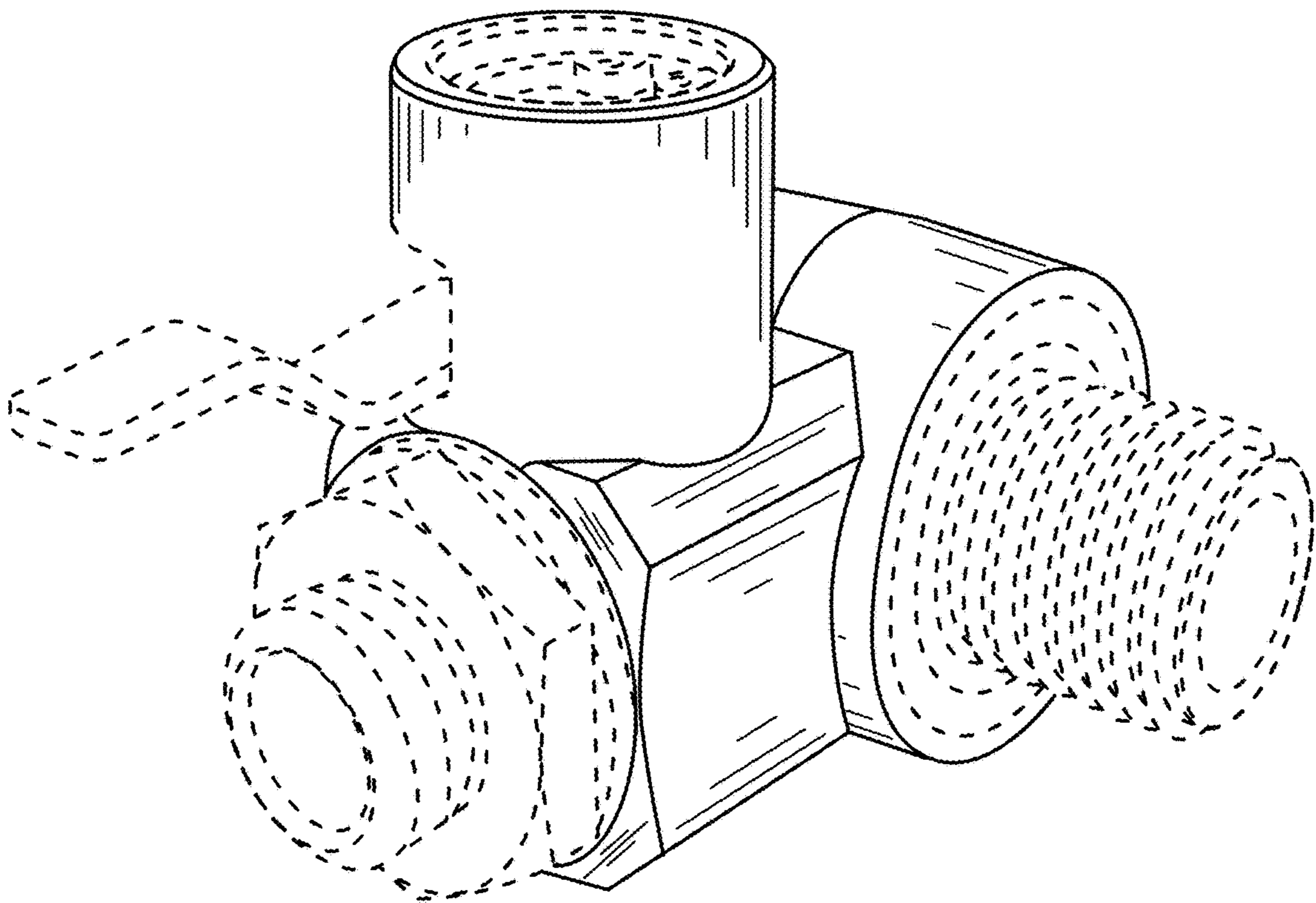


FIG. 4

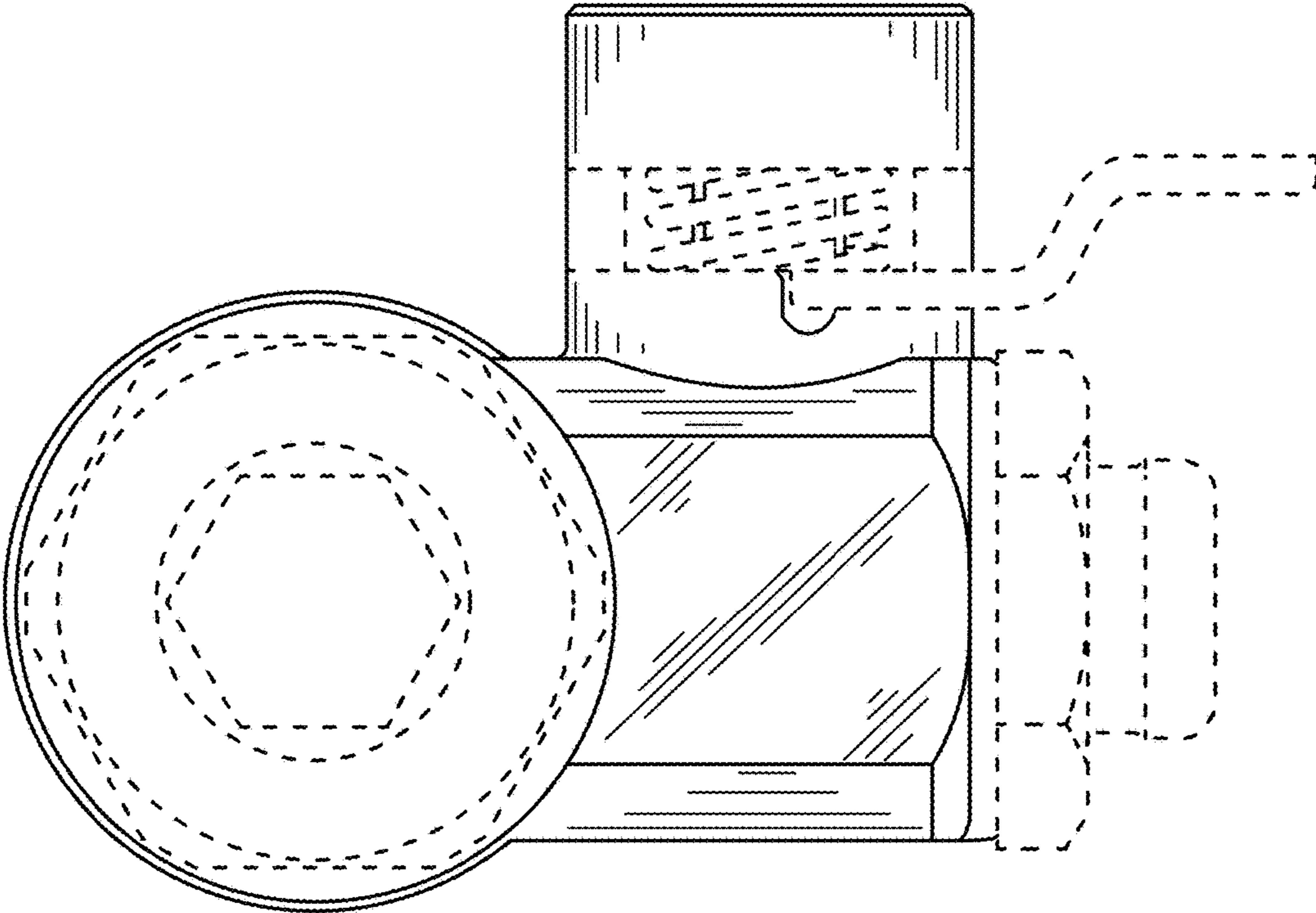


FIG. 5

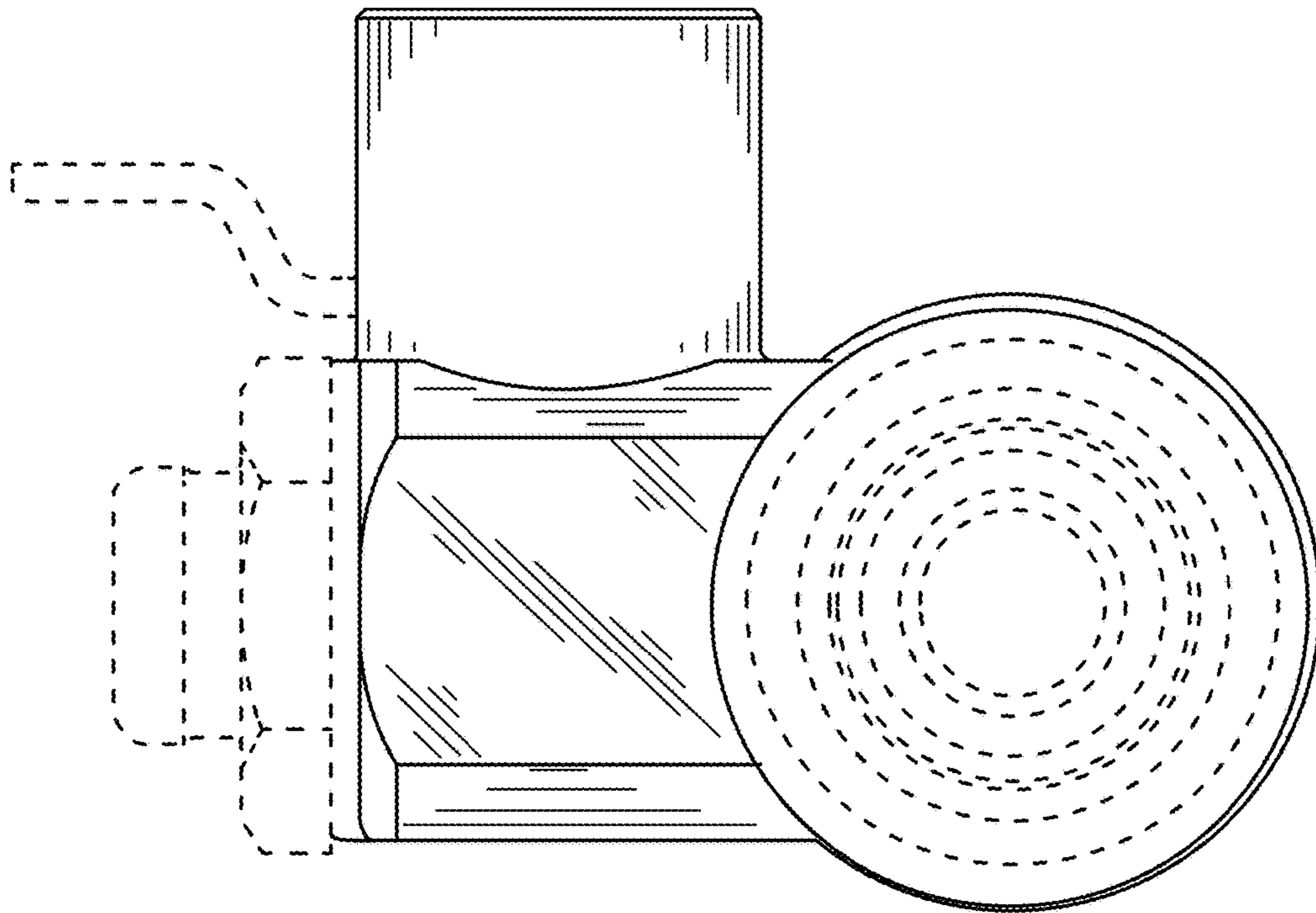


FIG. 6

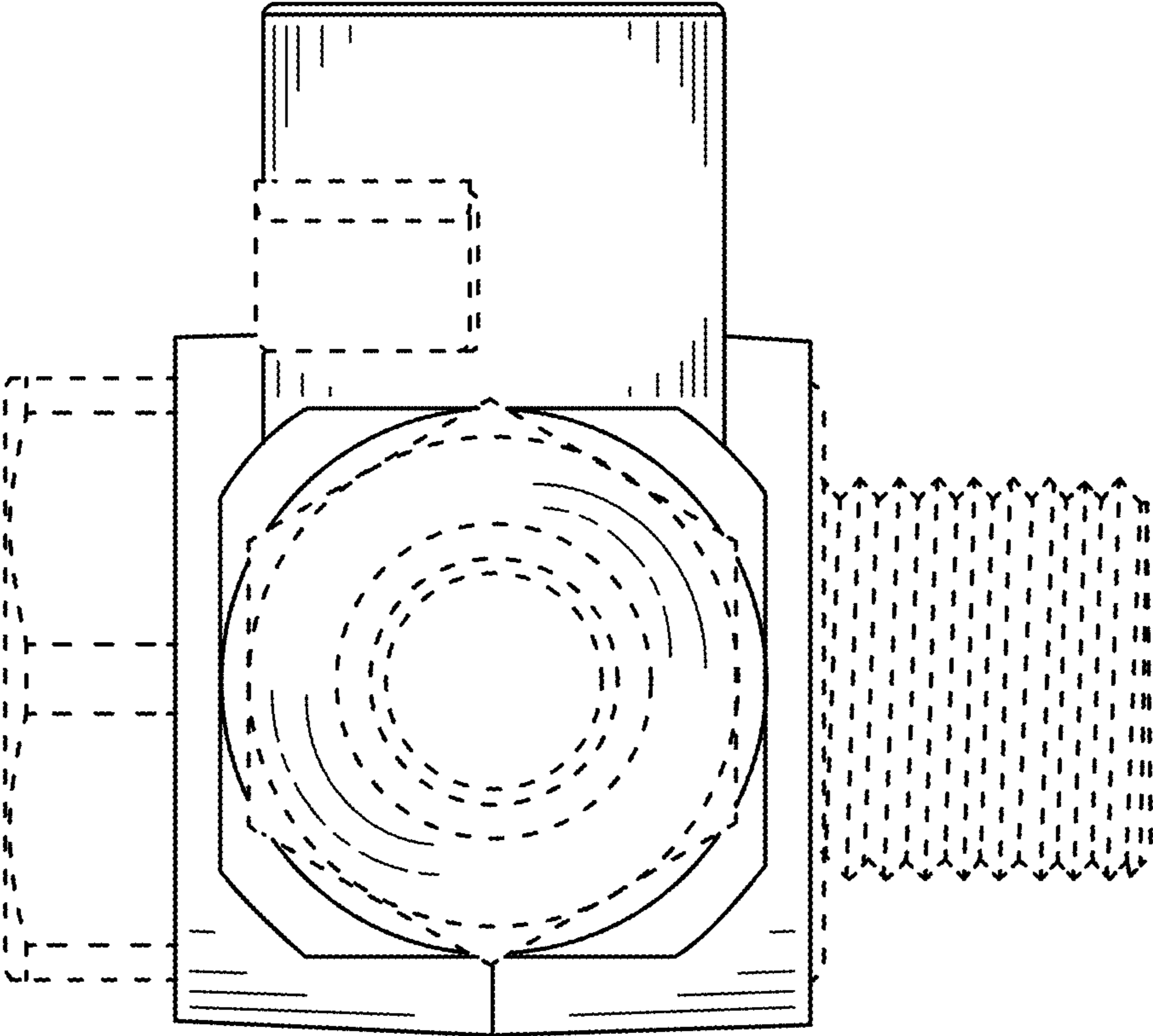


FIG. 7

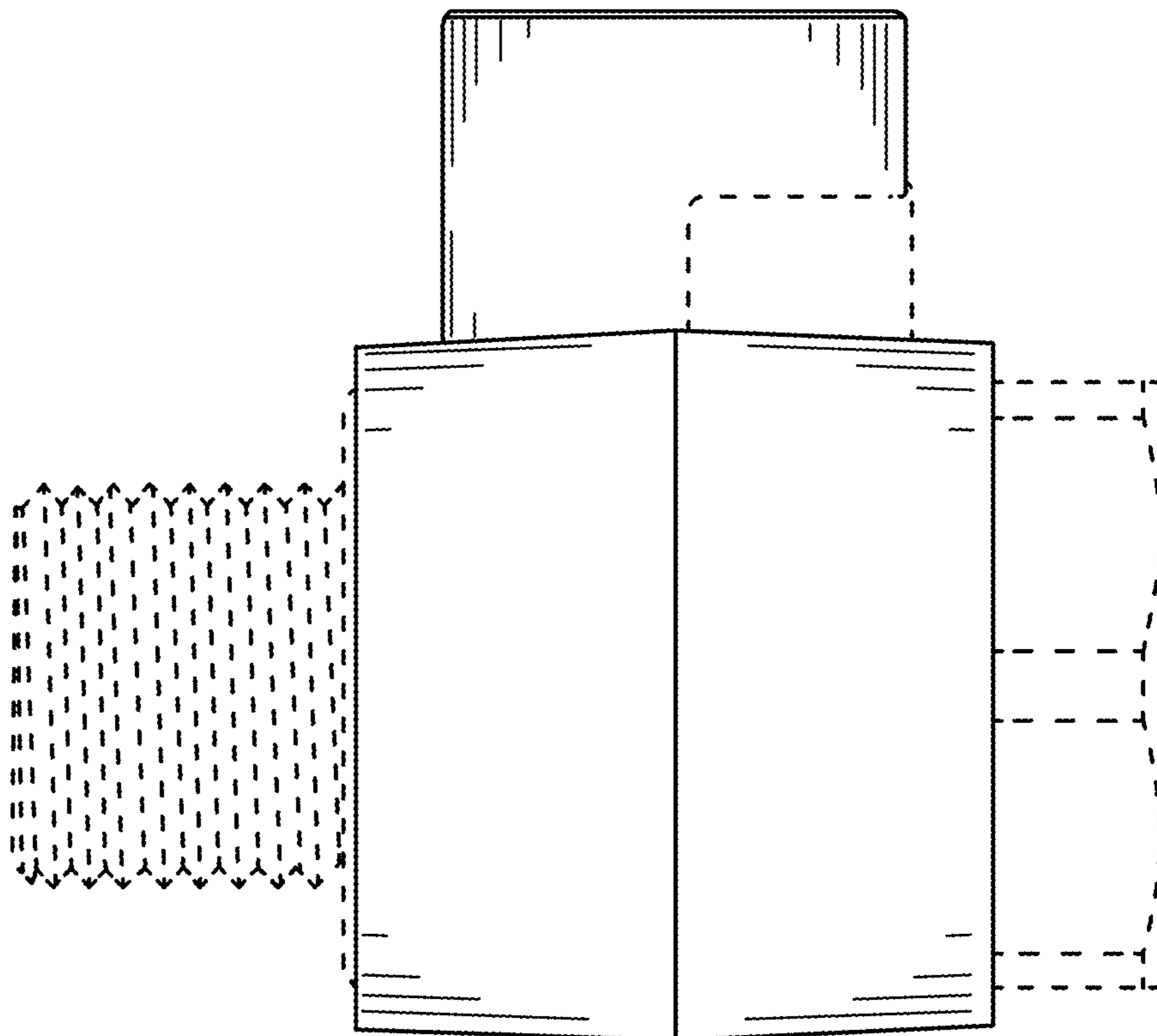


FIG. 8

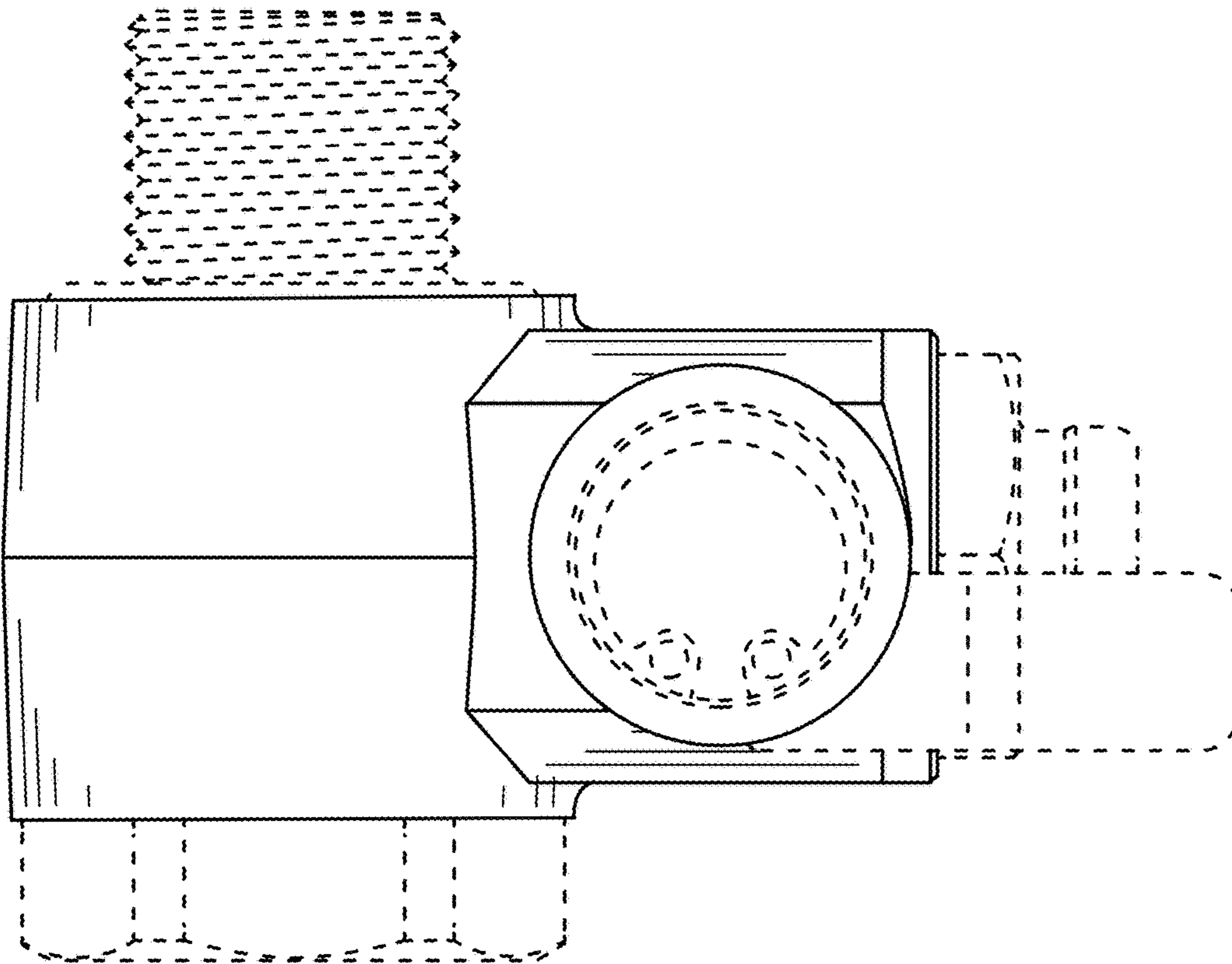


FIG. 9

