



US00D812192S

(12) **United States Design Patent** (10) **Patent No.:** **US D812,192 S**
Lamiable (45) **Date of Patent:** **** Mar. 6, 2018**

(54) **PRESSURE REDUCERS**
(71) Applicant: **LUXEMBOURG PATENT COMPANY S.A.,** Lintgen (LU)
(72) Inventor: **Morgan Lamiable,** Lintgen (LU)
(73) Assignee: **LUXEMBOURG PATENT COMPANY S.A.,** Lintgen (LU)
(**) Term: **15 Years**
(21) Appl. No.: **35/500,293**
(22) Filed: **Nov. 13, 2015**
(80) **Hague Agreement Data**
Int. Filing Date: **Nov. 13, 2015**
Int. Reg. No.: **DM/088162**
Int. Reg. Date: **Nov. 13, 2015**
Int. Reg. Pub. Date: **Nov. 27, 2015**

(51) **LOC (11) Cl.** **23-01**
(52) **U.S. Cl.**
USPC **D23/235; D24/110.6; D24/164**
(58) **Field of Classification Search**
USPC **D23/233-237, 244, 245, 204, 205, 213, D23/223, 229; D10/85; 137/116.5, 137/505.25, 505.41, 505.42, 614.2; 251/30.05, 59, 149.2, 149.4, 149.6; D24/108, 110.6, 121, 129, 164, 169**
CPC **C02F 1/42; C02F 1/4618; C02F 1/4672; C25B 1/16; Y10T 137/0318; Y10T 137/0379; Y10T 137/0491; Y10T 137/2278; Y10T 137/7761**
See application file for complete search history.

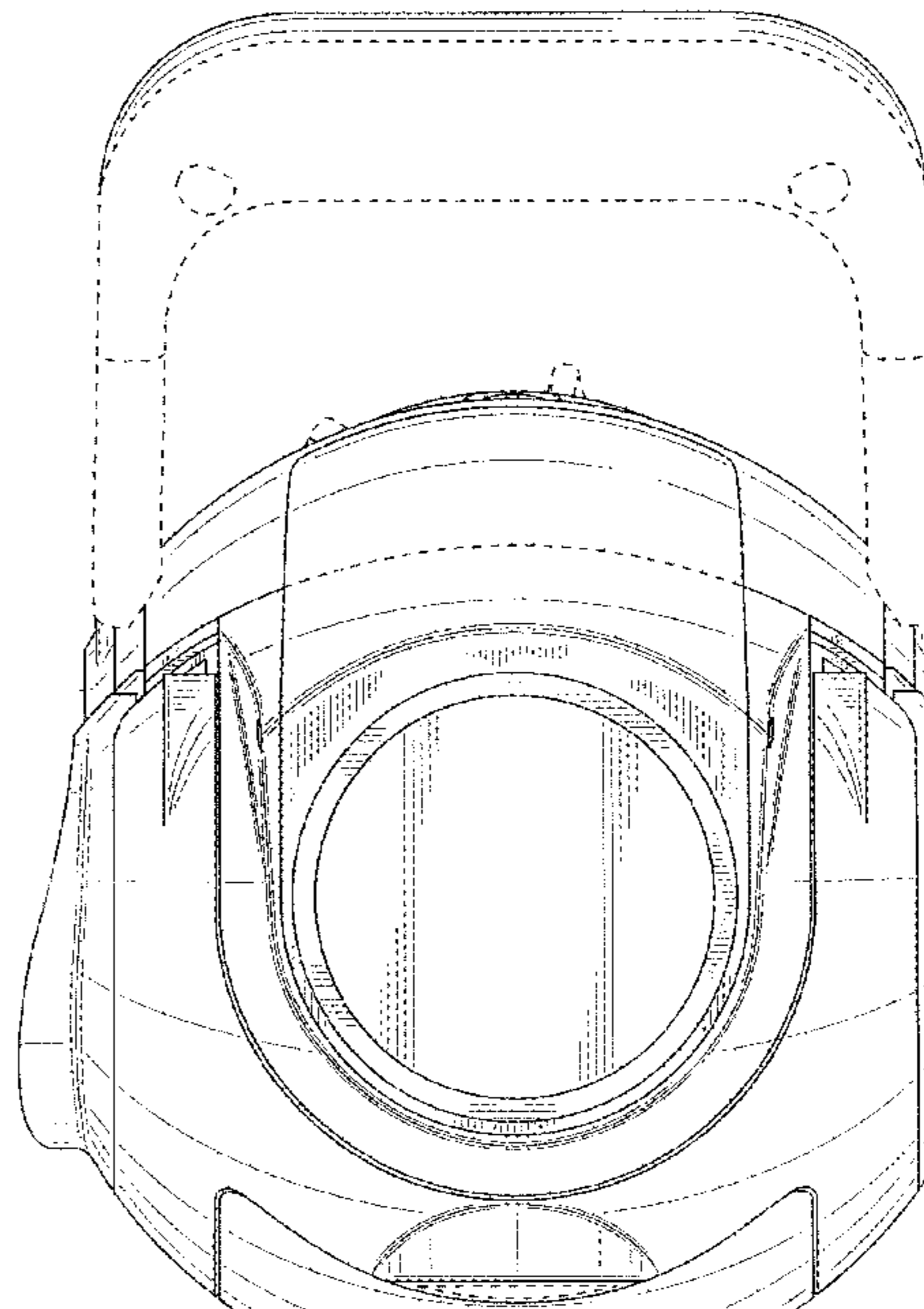
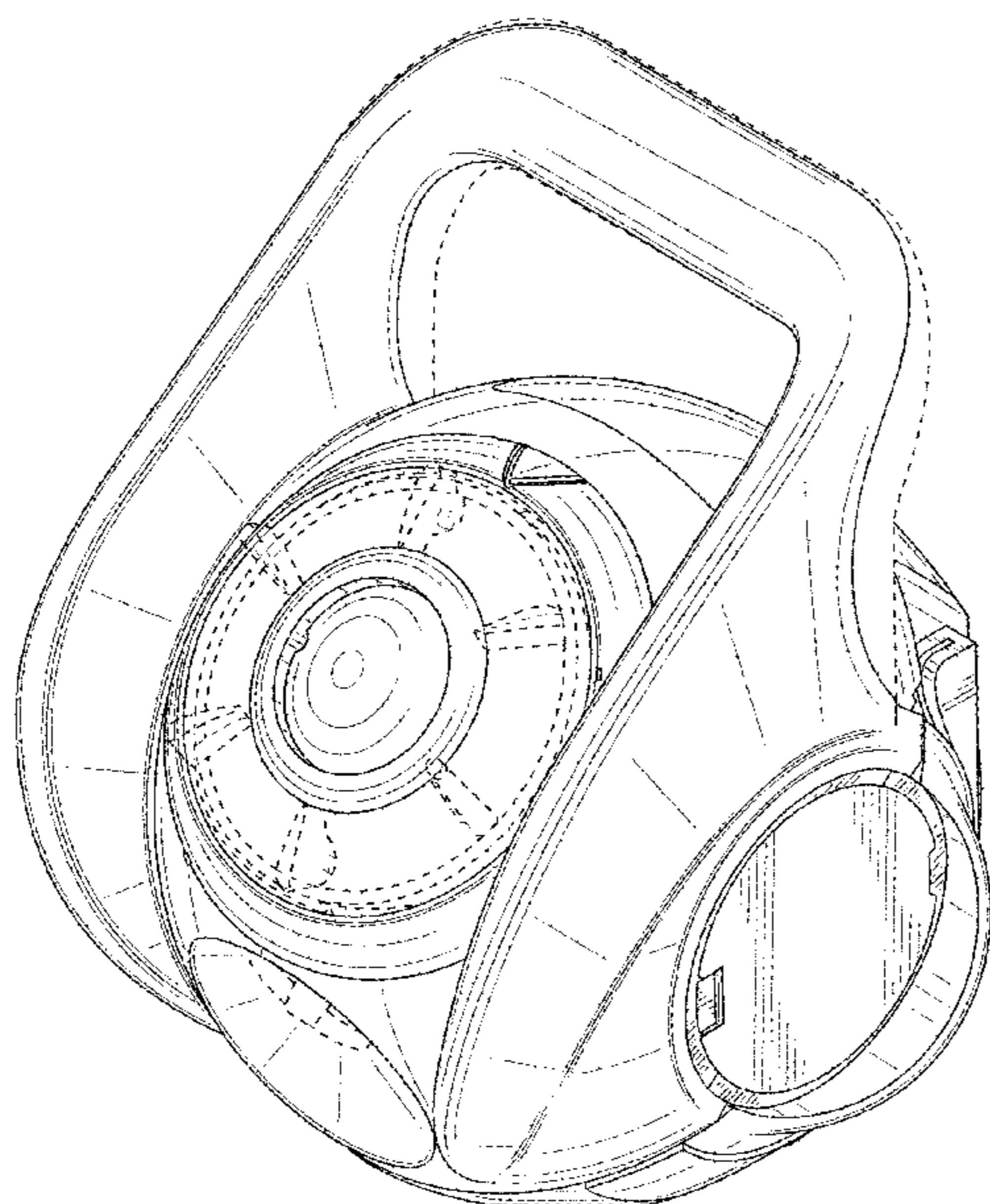
(56) **References Cited**
U.S. PATENT DOCUMENTS
D291,112 S * 7/1987 Clivio D23/207
4,768,548 A * 9/1988 Maurer G05D 16/2086
137/487.5
D449,093 S * 10/2001 Engelbrektsson D23/235
6,505,640 B1 * 1/2003 Lin G05D 16/0686
137/315.05
D526,046 S * 8/2006 Lin D23/235
D532,166 S * 11/2006 Reverberi D32/4
D592,816 S * 5/2009 Chun D32/15
D623,365 S * 9/2010 Ediger D32/17
D652,185 S * 1/2012 Mu D32/21
D663,496 S * 7/2012 Ediger D32/17
D674,462 S * 1/2013 Guastella D23/200
9,162,904 B2 * 10/2015 Guastella C02F 1/4672
2002/0178532 A1 * 12/2002 Amoretti A47L 9/009
15/327.2

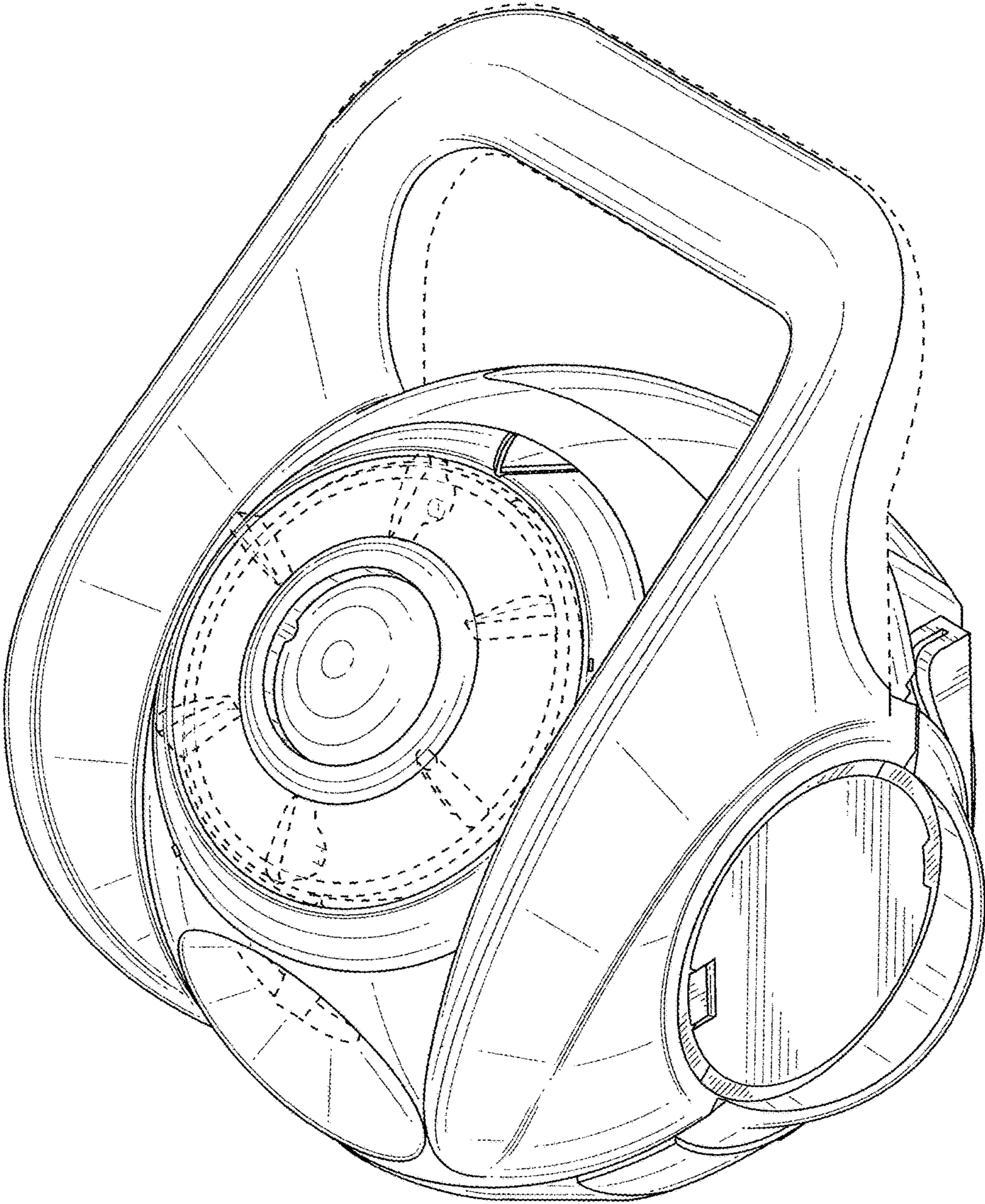
* cited by examiner
Primary Examiner — Keli L Hill
(74) *Attorney, Agent, or Firm* — Greenblum & Bernstein, P.L.C.

(57) **CLAIM**
I claim the ornamental design for pressure reducers, as shown and described.

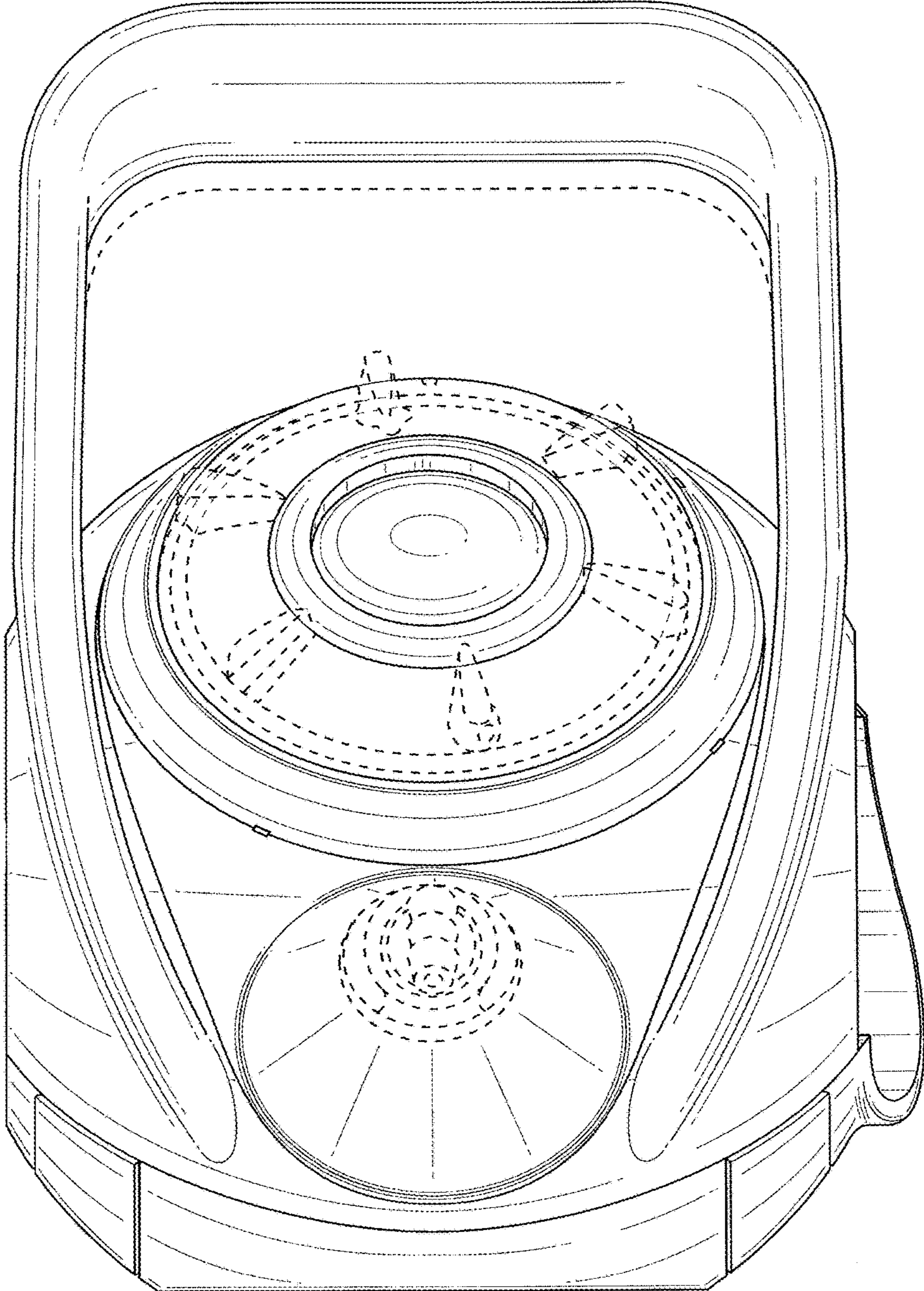
DESCRIPTION
1. Pressure reducers
1.1 shows a top, front, right side perspective view;
1.2 shows a front side view of **1.1**; and
1.3 shows a back side view of **1.1**.
Any surfaces of the design not shown and any surfaces shown in broken lines form no part of the claimed invention.

1 Claim, 3 Drawing Sheets

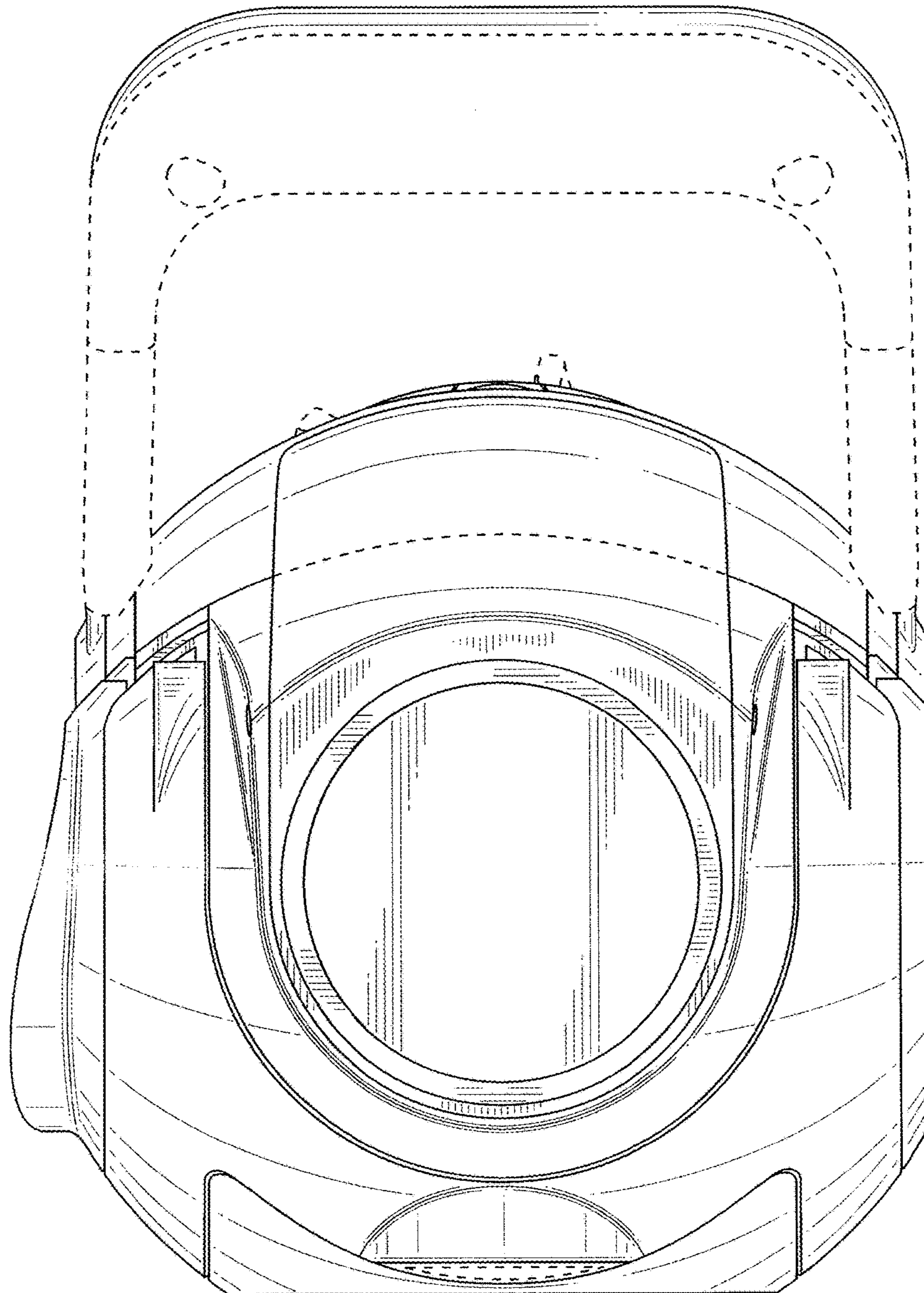




1.1



1.2



1.3