



US00D812191S

(12) **United States Design Patent** (10) **Patent No.:** **US D812,191 S**
Harck et al. (45) **Date of Patent:** **** Mar. 6, 2018**

(54) **VALVE**

(56) **References Cited**

(71) Applicant: **DANFOSS A/S**, Nordborg (DK)

U.S. PATENT DOCUMENTS

(72) Inventors: **Kurt Harck**, Sonderborg (DK); **Sigurd Larsen**, Flensburg (DE)

D153,064 S *	3/1949	Hammon	D23/235
D357,735 S *	4/1995	McPhee	D23/233
D370,963 S *	6/1996	Daansen	D23/235
D412,738 S *	8/1999	Kuwabara	D23/233
D421,091 S *	2/2000	Kehlbeck	D23/233
D460,522 S *	7/2002	Flinchbaugh	D23/233
D499,464 S *	12/2004	Caine	D23/233
D500,840 S *	1/2005	Kim	D23/233
D527,793 S *	9/2006	Cantolino	D23/233
D615,617 S *	5/2010	Hutton	D23/233
D635,644 S *	4/2011	Yamada	D23/233
D638,915 S *	5/2011	Cardno	D23/233
D708,706 S *	7/2014	Pridham	D23/233
D732,641 S *	6/2015	Hermann	D23/233
D736,896 S *	8/2015	Nishimura	D23/233

(73) Assignee: **DANFOSS A/S**, Nordborg (DK)

(**) Term: **15 Years**

(21) Appl. No.: **29/570,295**

(22) Filed: **Jul. 7, 2016**

Related U.S. Application Data

(62) Division of application No. 29/488,762, filed on Apr. 23, 2014, now Pat. No. Des. 768,823.

* cited by examiner

Primary Examiner — Cynthia Ramirez

(74) *Attorney, Agent, or Firm* — McCormick, Paulding & Huber LLP

(30) **Foreign Application Priority Data**

Oct. 25, 2013	(EM)	002333492-0003
Oct. 25, 2013	(EM)	002333492-0004
Oct. 25, 2013	(EM)	002333492-0005

(57) **CLAIM**

The ornamental design for a valve, substantially as shown and described.

(51) **LOC (11) Cl.** **23-01**

(52) **U.S. Cl.**
USPC **D23/233**

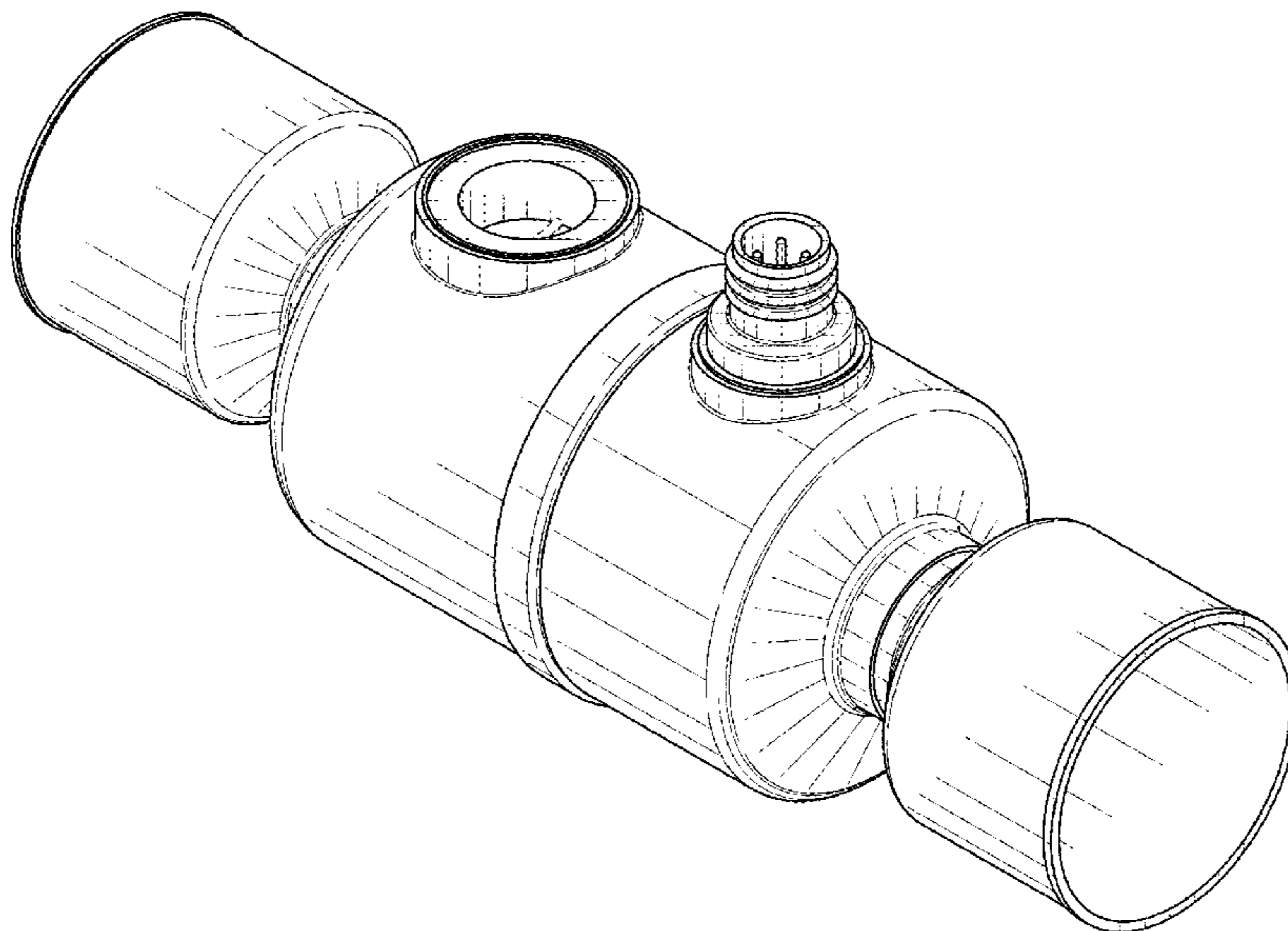
DESCRIPTION

(58) **Field of Classification Search**

USPC D23/244–249, 269; 137/498, 545, 547,
137/549, 377, 614.17; 251/62, 63, 63.5,
251/129.01, 129.1, 129.16–129.18, 215,
251/309, 310, 312
CPC F16K 47/08; F16K 15/188; F16K 31/12;
F16K 5/10; F16K 11/0716; F16K 11/0853
See application file for complete search history.

FIG. 1 is a front, top, right-hand side perspective view of a valve showing our new design;
FIG. 2 is a front view thereof;
FIG. 3 is a rear view thereof;
FIG. 4 is a top view thereof;
FIG. 5 is a bottom view thereof;
FIG. 6 is a left-hand side view thereof; and,
FIG. 7 is a right-hand side view thereof.
The broken lines shown in the drawings illustrate unclaimed portions of the valve and form no part of the claimed design.

1 Claim, 6 Drawing Sheets



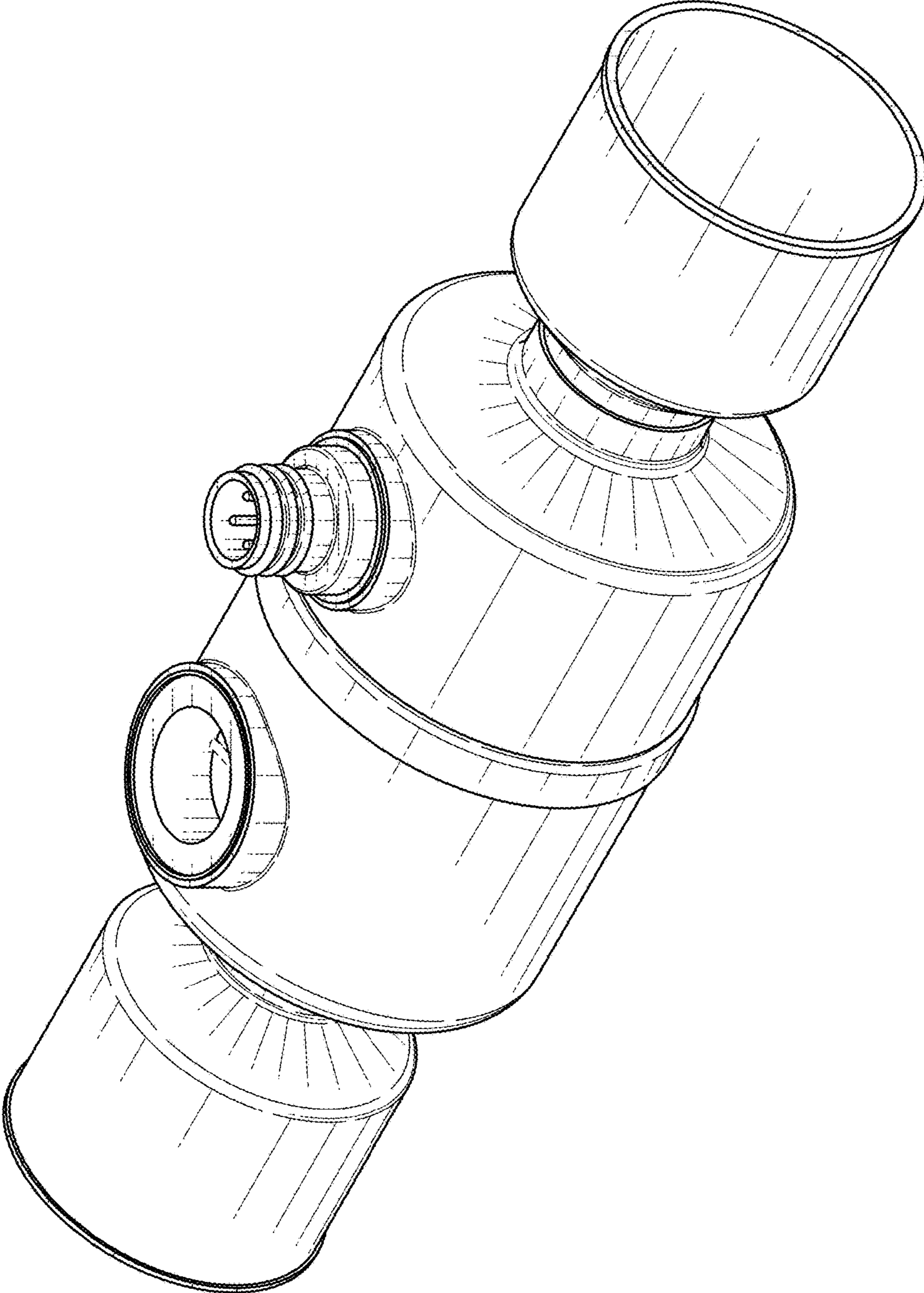


FIG. 1

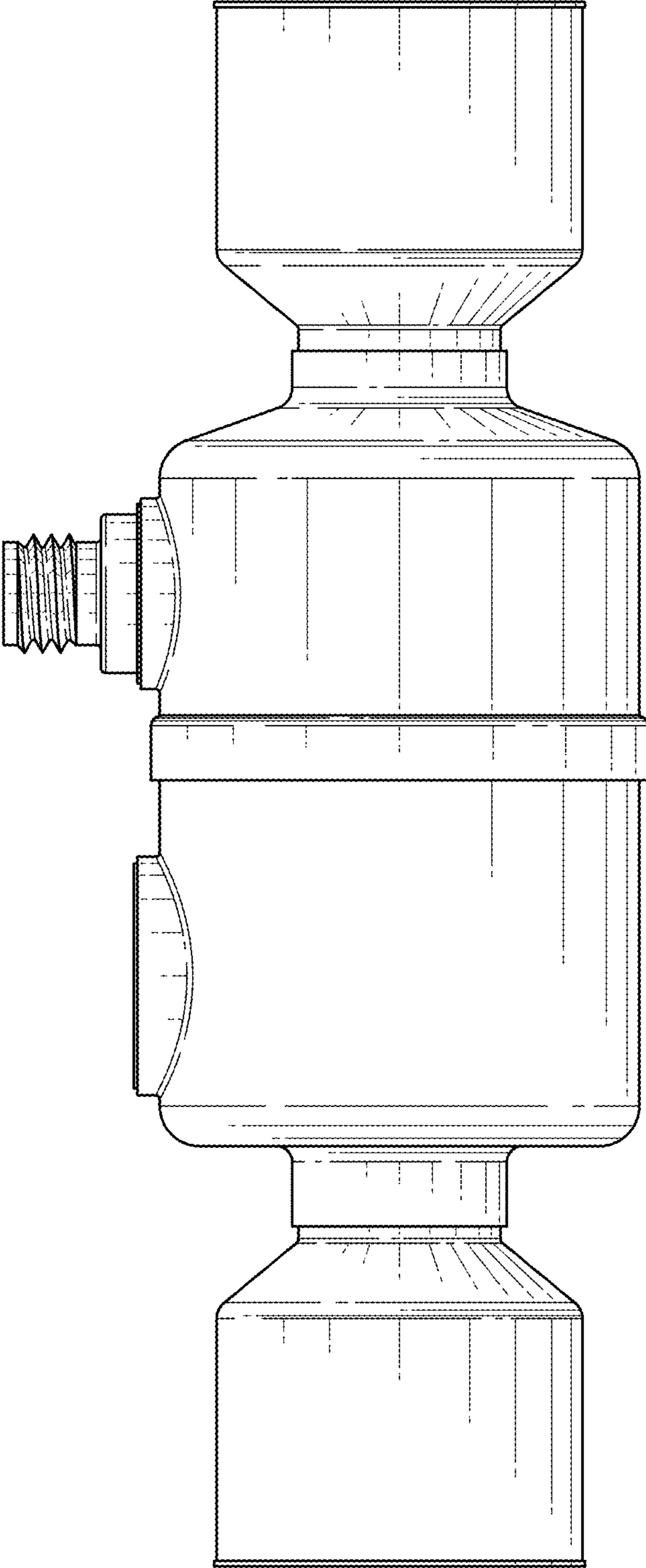


FIG. 2

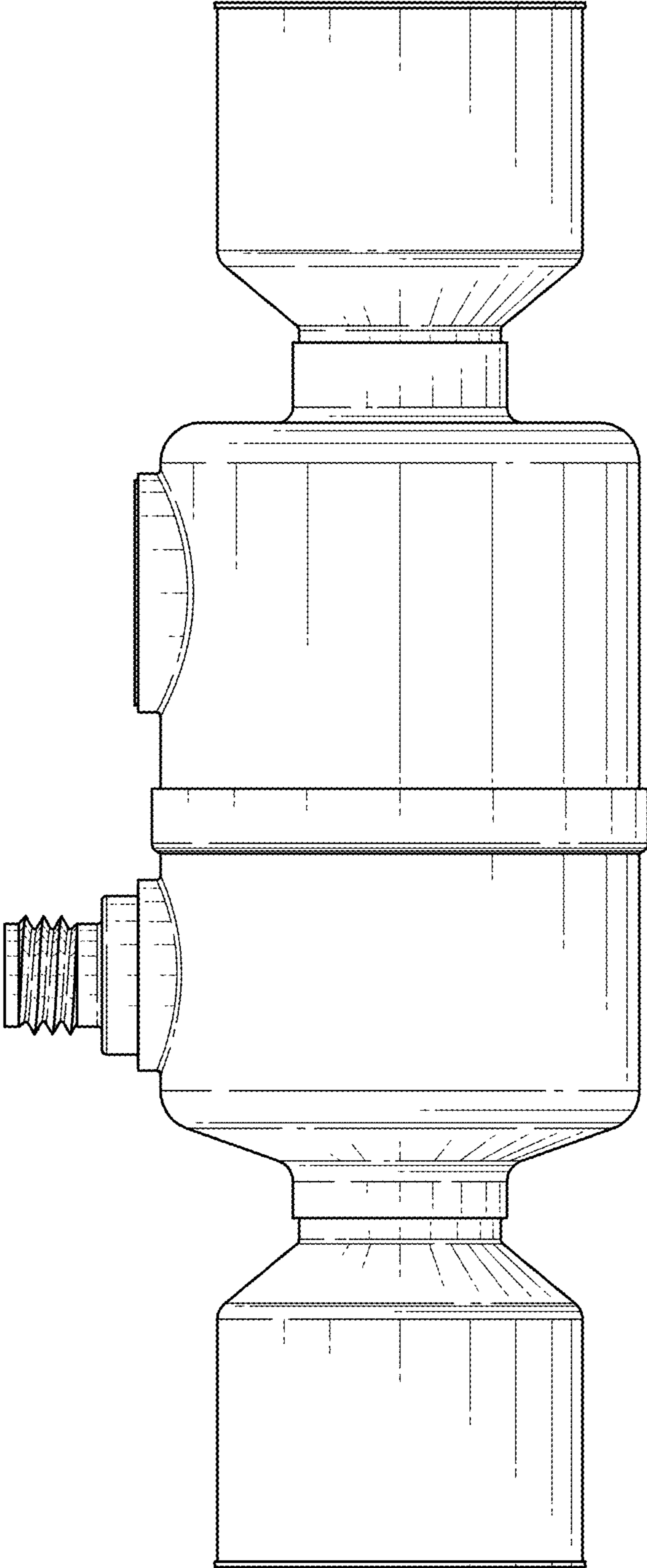


FIG. 3

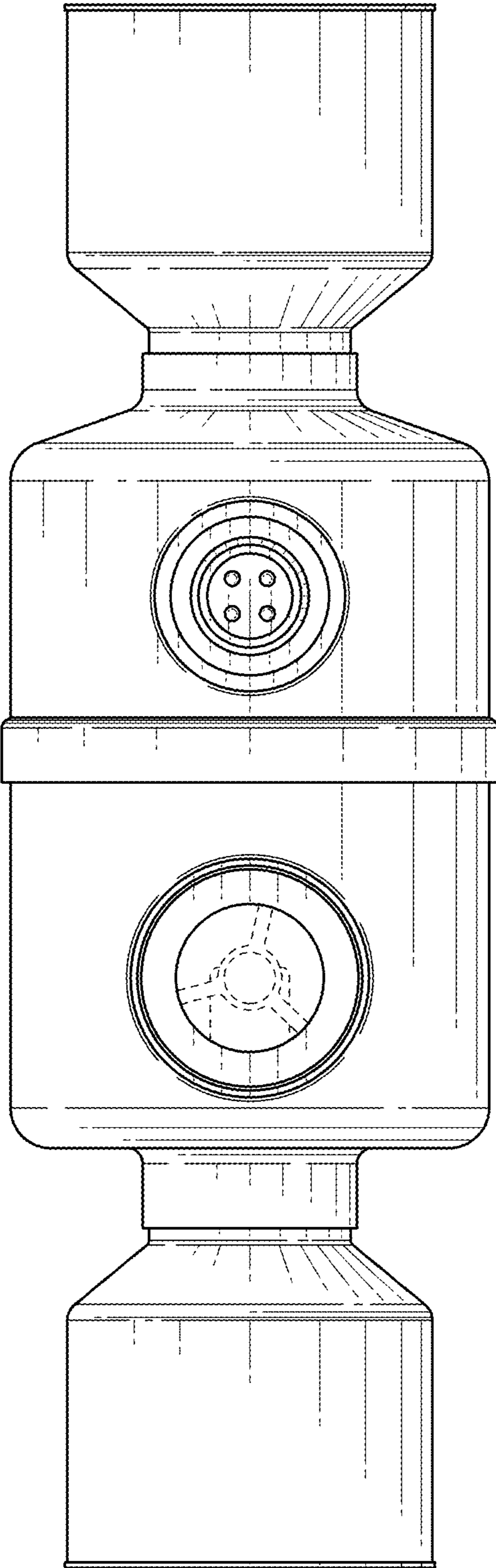


FIG. 4

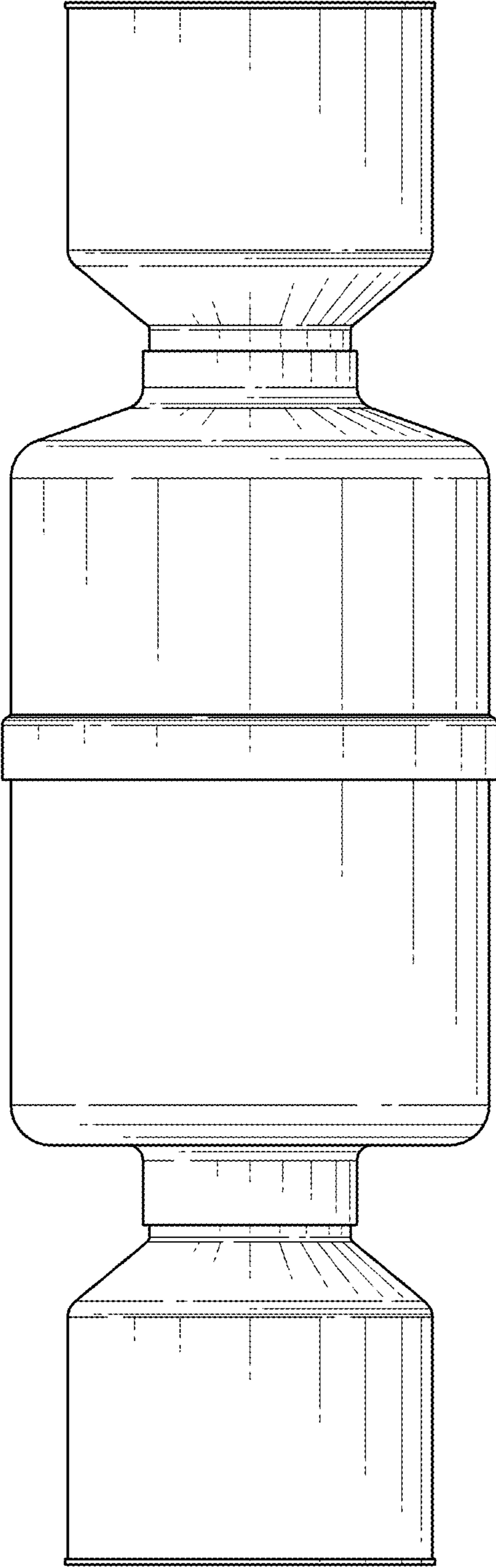


FIG. 5

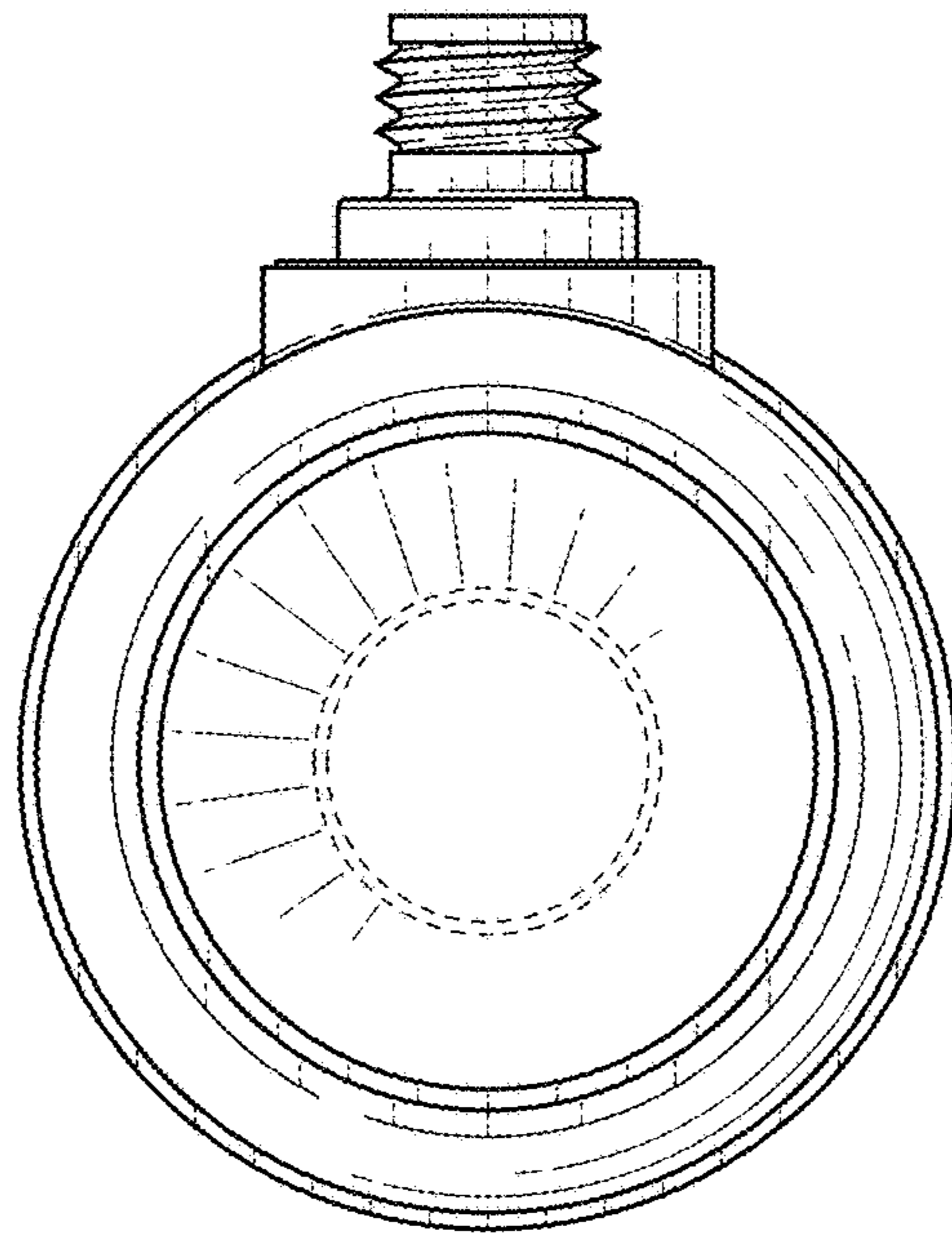


FIG. 6

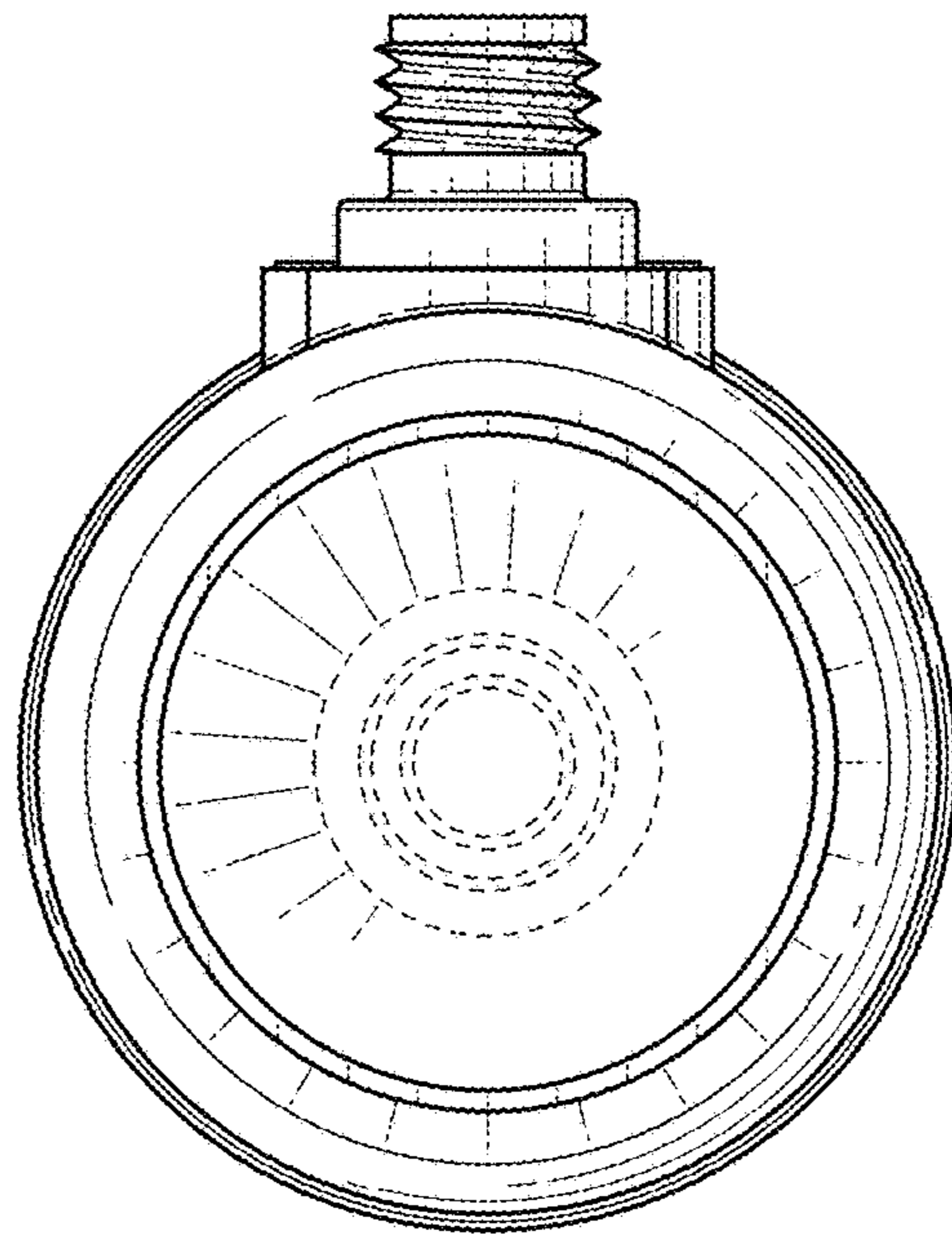


FIG. 7