



US00D812187S

(12) **United States Design Patent**  
**Del Ponte et al.**

(10) **Patent No.:** **US D812,187 S**  
(45) **Date of Patent:** **\*\* Mar. 6, 2018**

- (54) **WATER INFILTRATION SYSTEM**
- (71) Applicant: **Soma Water, Inc.**, San Francisco, CA (US)
- (72) Inventors: **Michael Robert Del Ponte**, San Francisco, CA (US); **Markus Peter Diebel**, San Francisco, CA (US); **Joe Sung-Ho Tan**, San Francisco, CA (US)
- (73) Assignee: **FC Brands LLC**, New York, NY (US)
- (\*\*) Term: **15 Years**
- (21) Appl. No.: **29/558,450**
- (22) Filed: **Mar. 17, 2016**

**Related U.S. Application Data**

- (62) Division of application No. 29/517,628, filed on Feb. 13, 2015, now Pat. No. Des. 753,263, which is a division of application No. 29/469,402, filed on Oct. 9, 2013, now Pat. No. Des. 722,675.
- (51) **LOC (11) Cl.** ..... **23-01**
- (52) **U.S. Cl.**  
USPC ..... **D23/209**
- (58) **Field of Classification Search**  
USPC ..... D23/207, 209, 200; 210/232, 282, 651, 210/435, 446, 451, 455  
CPC ..... C02F 2307/02; C02F 1/0027; B01D 35/30  
See application file for complete search history.

(56) **References Cited**

**U.S. PATENT DOCUMENTS**

- 1,235,395 A \* 7/1917 Storm ..... B01D 35/30  
210/435
- 2,786,577 A \* 3/1957 Schlumbohm ..... A47J 31/06  
210/239
- 2,835,191 A \* 5/1958 Clurman ..... A47J 31/02  
141/342

- 2,897,970 A \* 8/1959 Schlumbohm ..... A47J 31/446  
210/455
- 3,266,411 A \* 8/1966 Oakley ..... A47J 31/446  
210/474
- D282,432 S \* 2/1986 Gurka ..... 23/200
- 5,899,246 A \* 5/1999 Cummins ..... B67C 11/02  
141/297
- D426,283 S \* 6/2000 Hernandez, Jr. .... 23/200
- 6,083,392 A \* 7/2000 Rigney ..... A47J 37/1271  
210/451
- 6,402,949 B1 \* 6/2002 Banks ..... C02F 1/002  
210/257.1
- D569,176 S \* 5/2008 Bodum ..... D7/387
- 8,287,729 B2 \* 10/2012 Lundquist ..... C02F 1/002  
210/206
- D697,170 S \* 1/2014 Bradford ..... 23/209
- D697,171 S \* 1/2014 Bradford ..... 23/209
- D697,172 S 1/2014 Bradford et al.
- D697,173 S \* 1/2014 Bradford ..... D23/209
- D711,504 S \* 8/2014 Jackson ..... 23/209
- D722,675 S \* 2/2015 Del Ponte ..... 23/209

(Continued)

*Primary Examiner* — Robin V Webster

(74) *Attorney, Agent, or Firm* — Pierce Atwood LLP

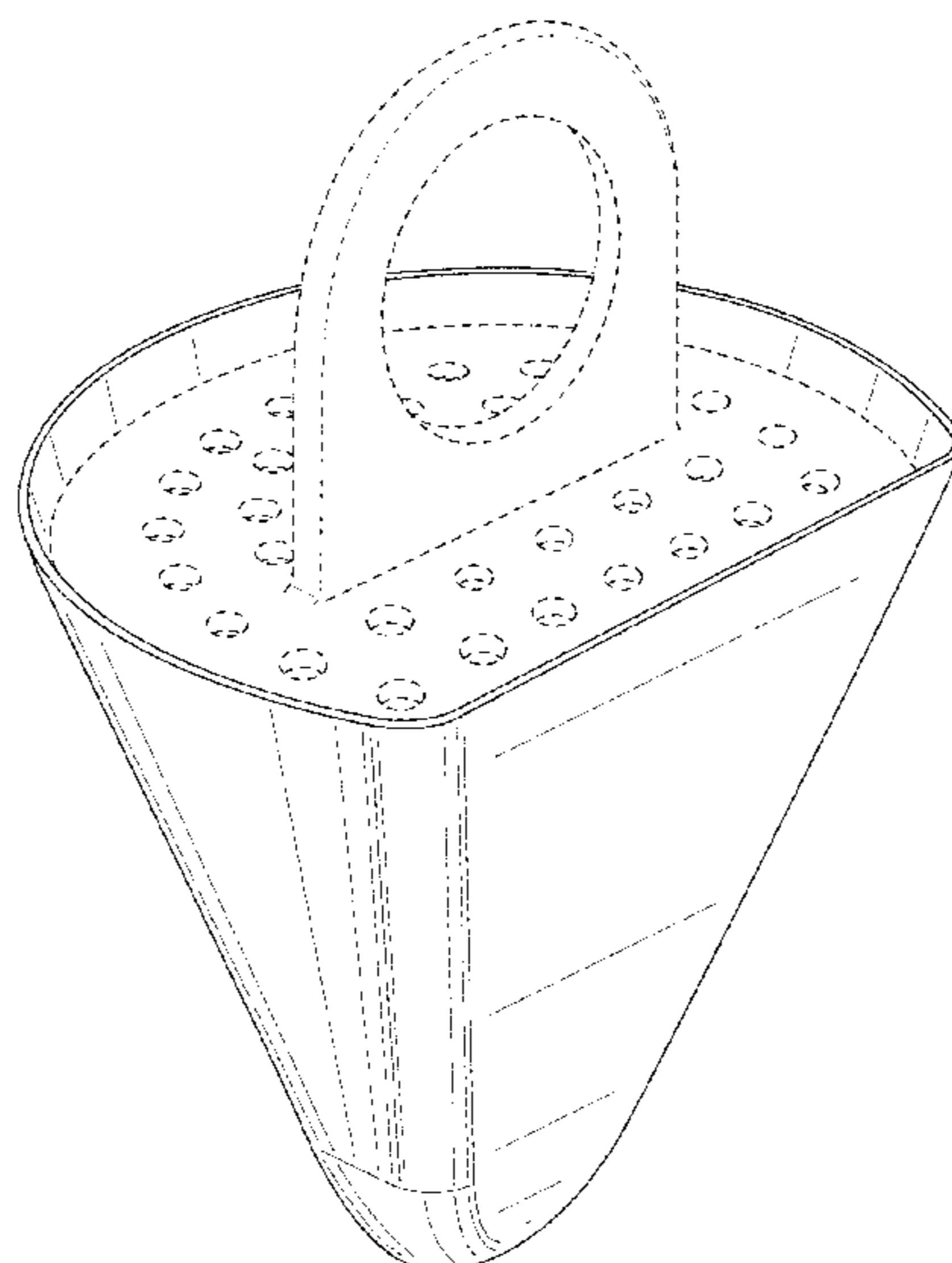
(57) **CLAIM**

The ornamental design for a water filtration system, as shown and described.

**DESCRIPTION**

FIG. 1 is a front isometric view of an embodiment of a water filtration system showing our new design.  
 FIG. 2 is a front elevation view thereof.  
 FIG. 3 is a back elevation view thereof.  
 FIG. 4 is a left side elevation view thereof.  
 FIG. 5 is a right side elevation view thereof.  
 FIG. 6 is a top plan view thereof; and,  
 FIG. 7 is a bottom plan view thereof.  
 Any broken lines in the Figures are for illustrative purposes only and form no part of the claimed design.

**1 Claim, 7 Drawing Sheets**



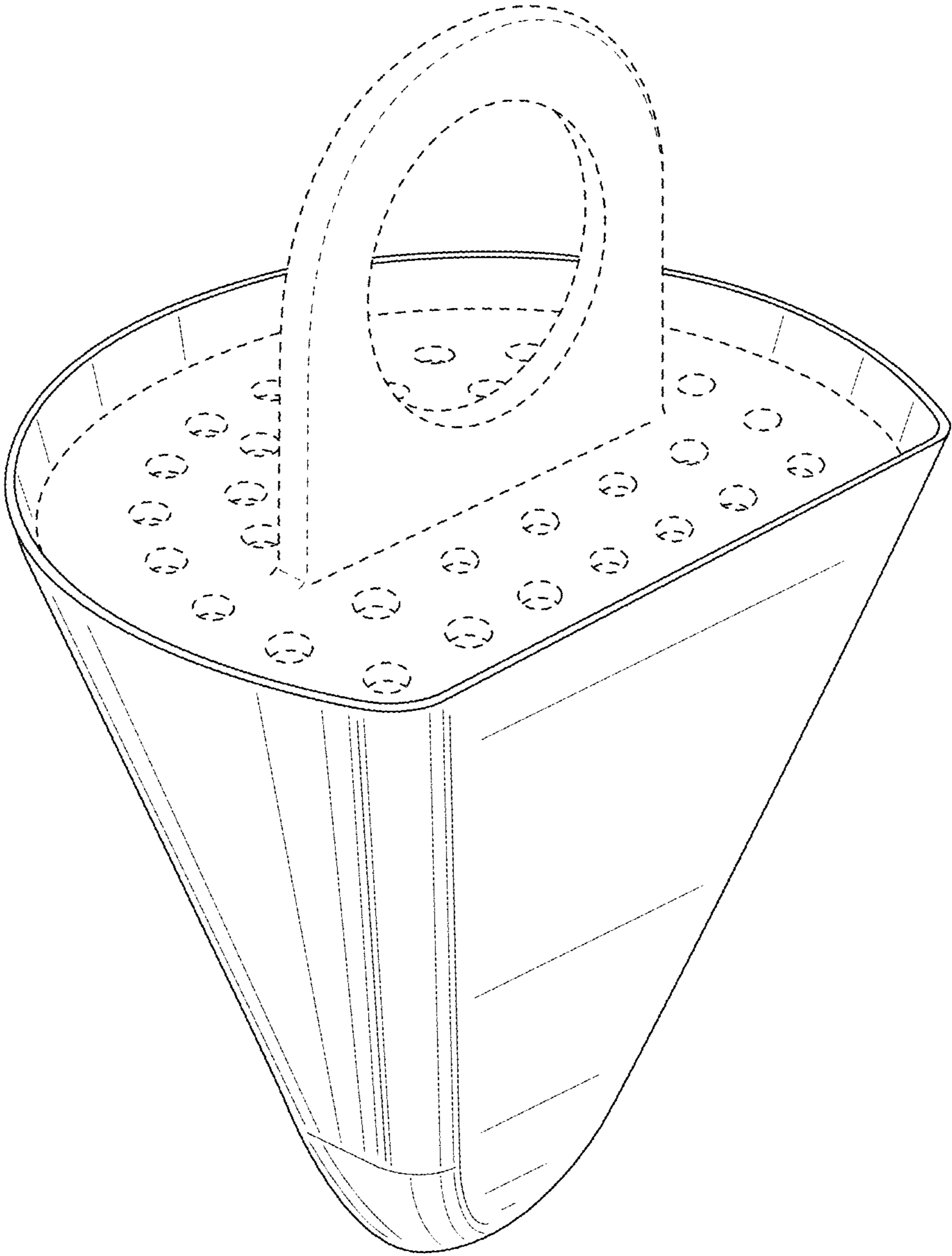
(56)

**References Cited**

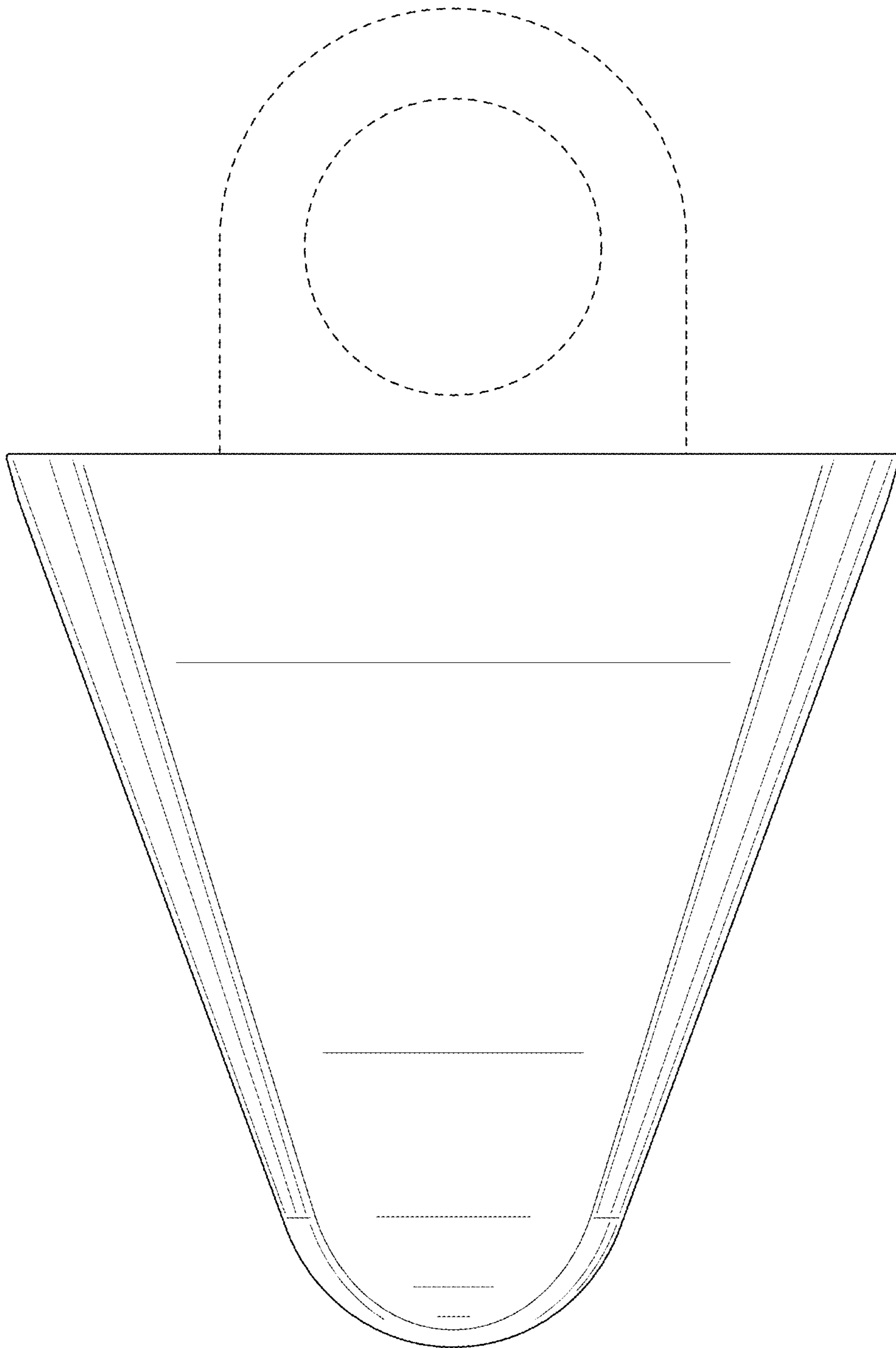
U.S. PATENT DOCUMENTS

D753,263 S \* 4/2016 Del Ponte ..... D23/209  
9,511,315 B2 \* 12/2016 Cur ..... B01D 35/30

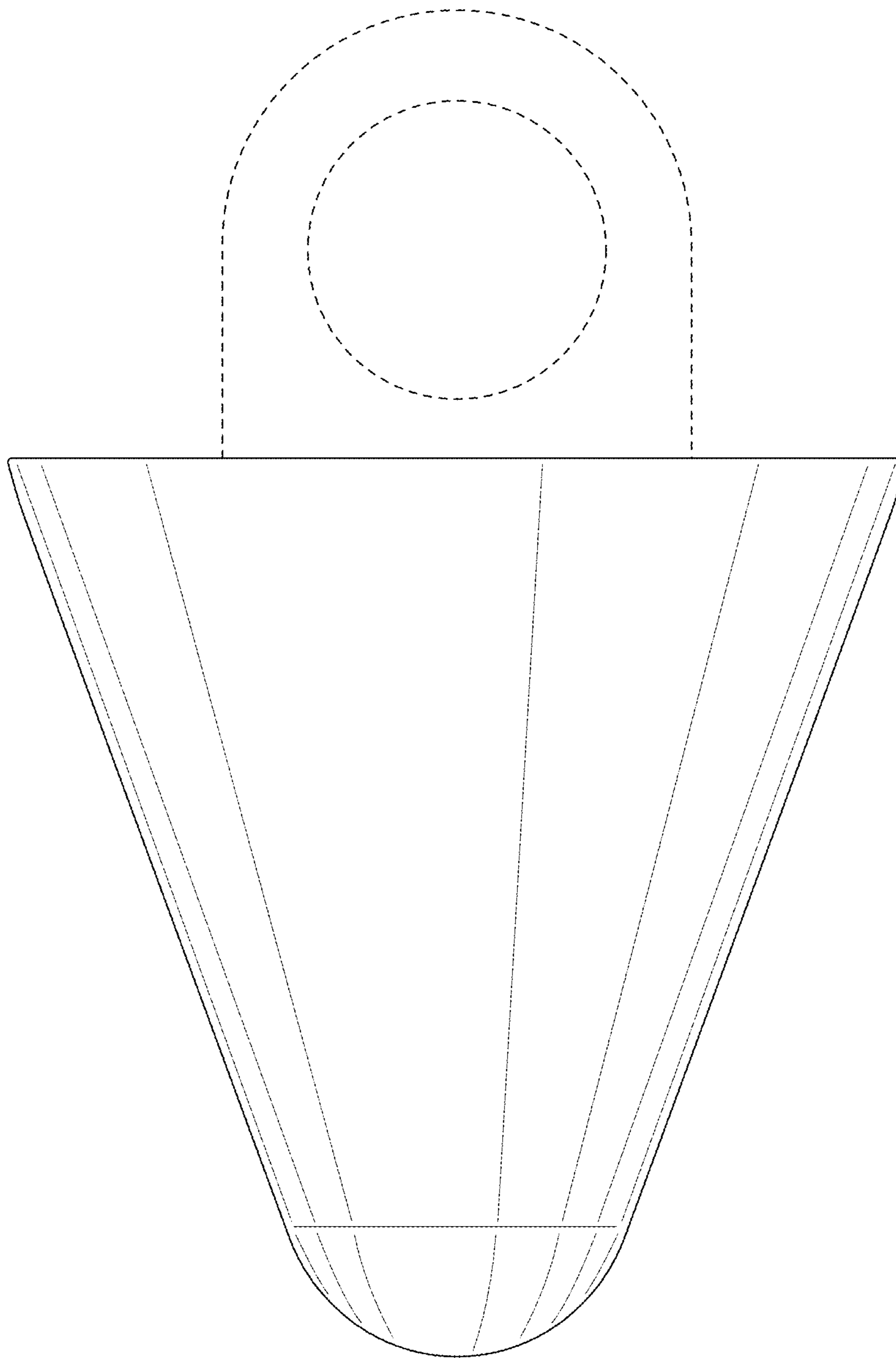
\* cited by examiner



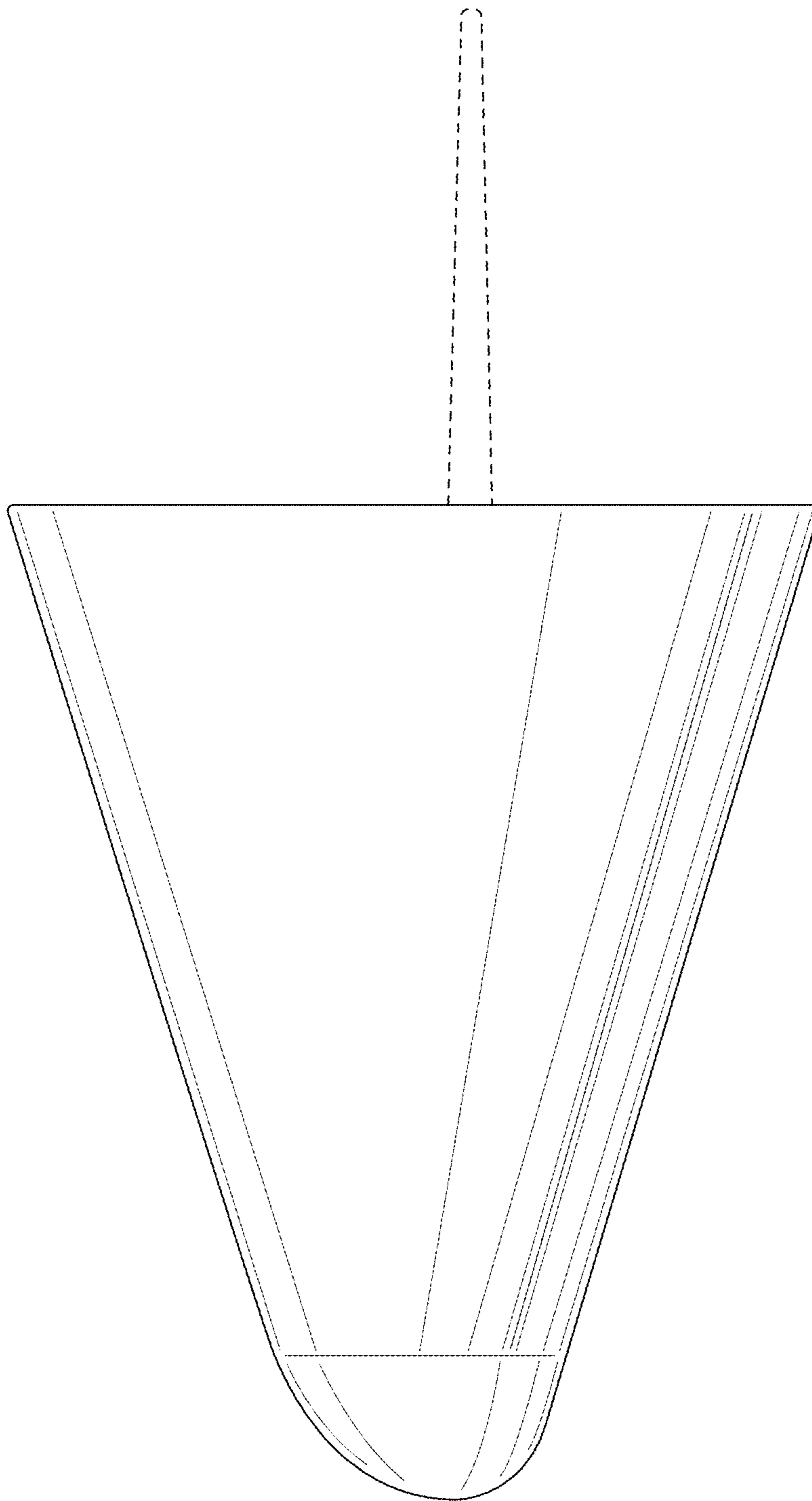
*Fig. 1*



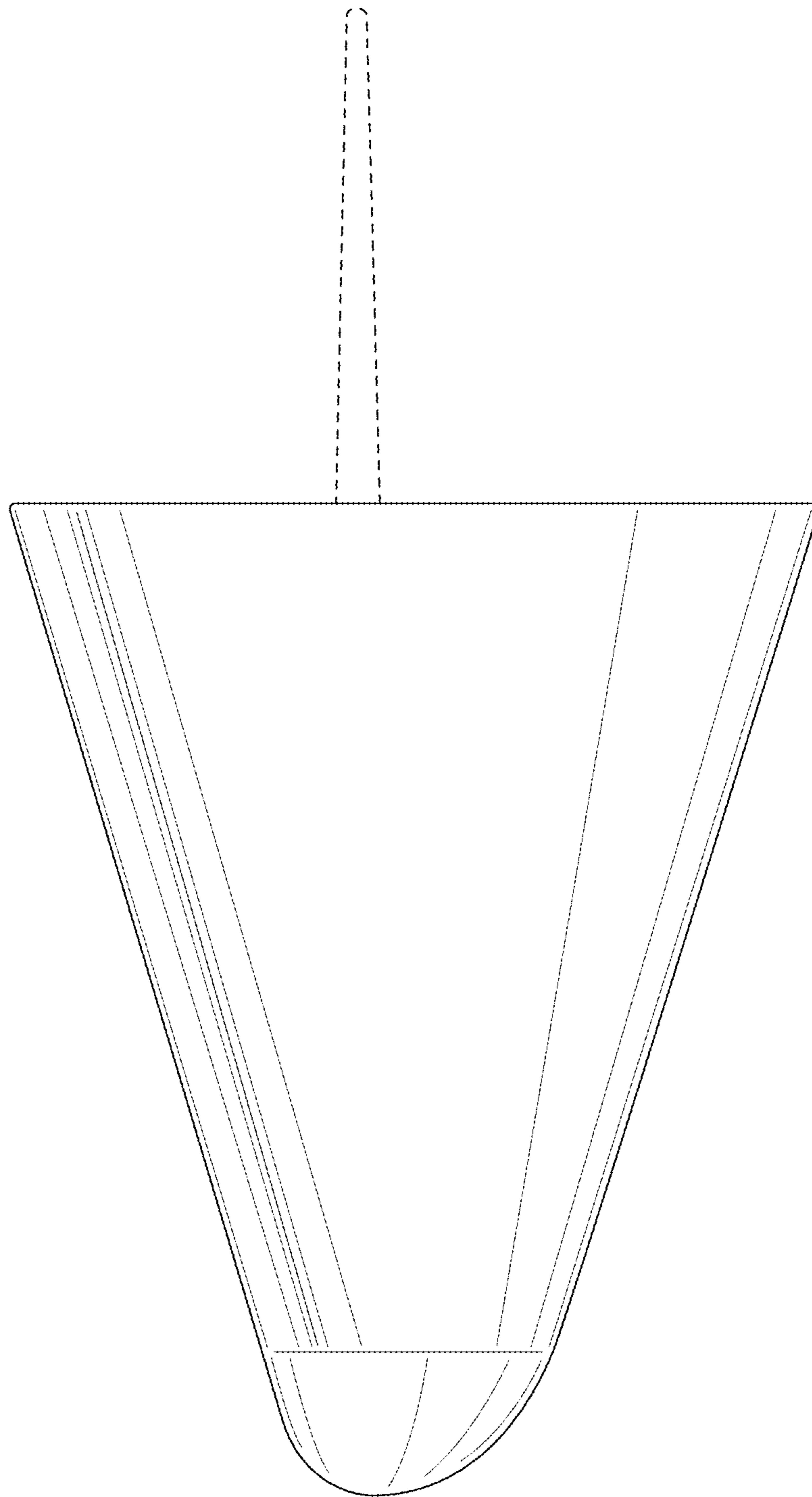
*Fig. 2*



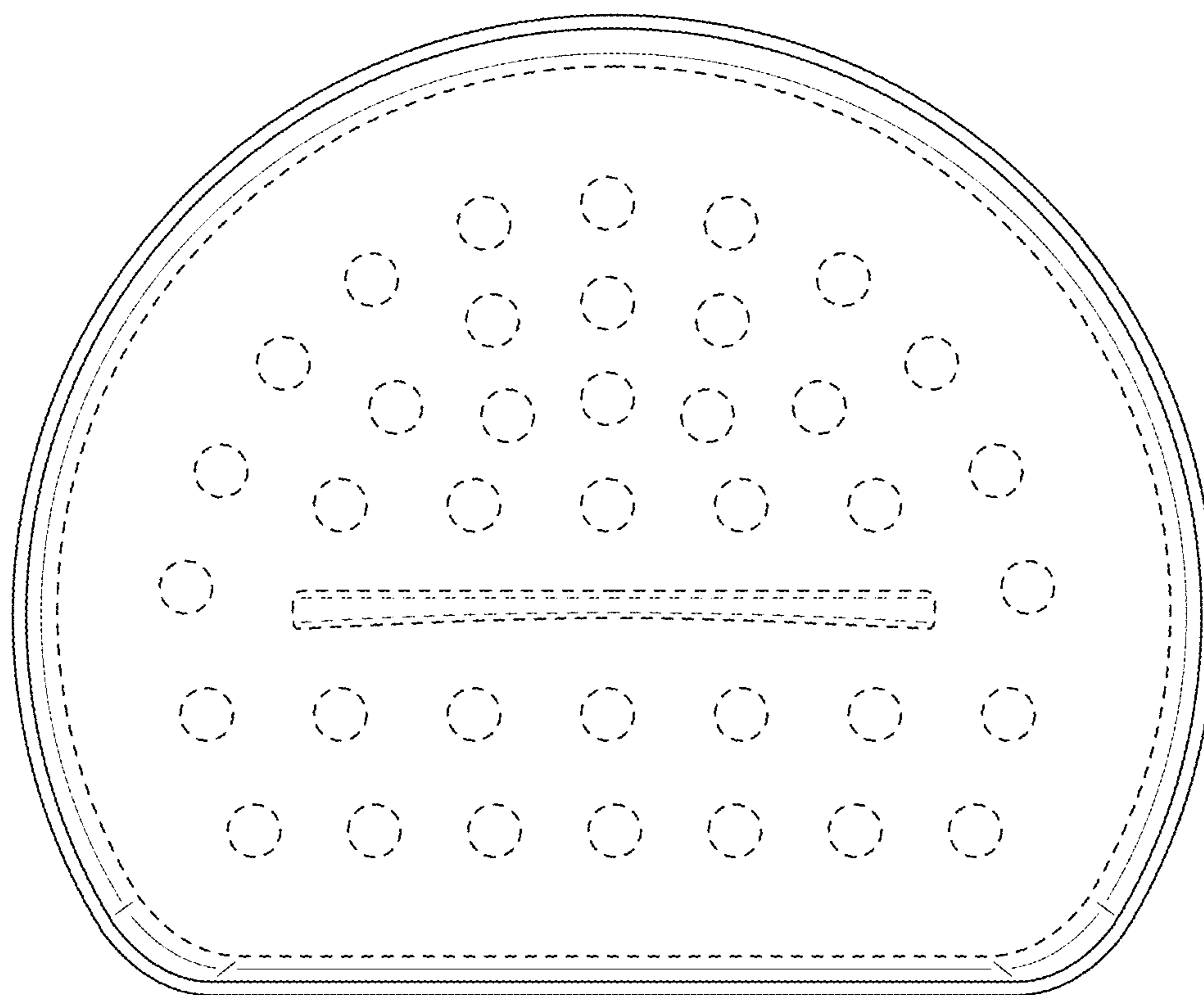
*Fig. 3*



*Fig. 4*

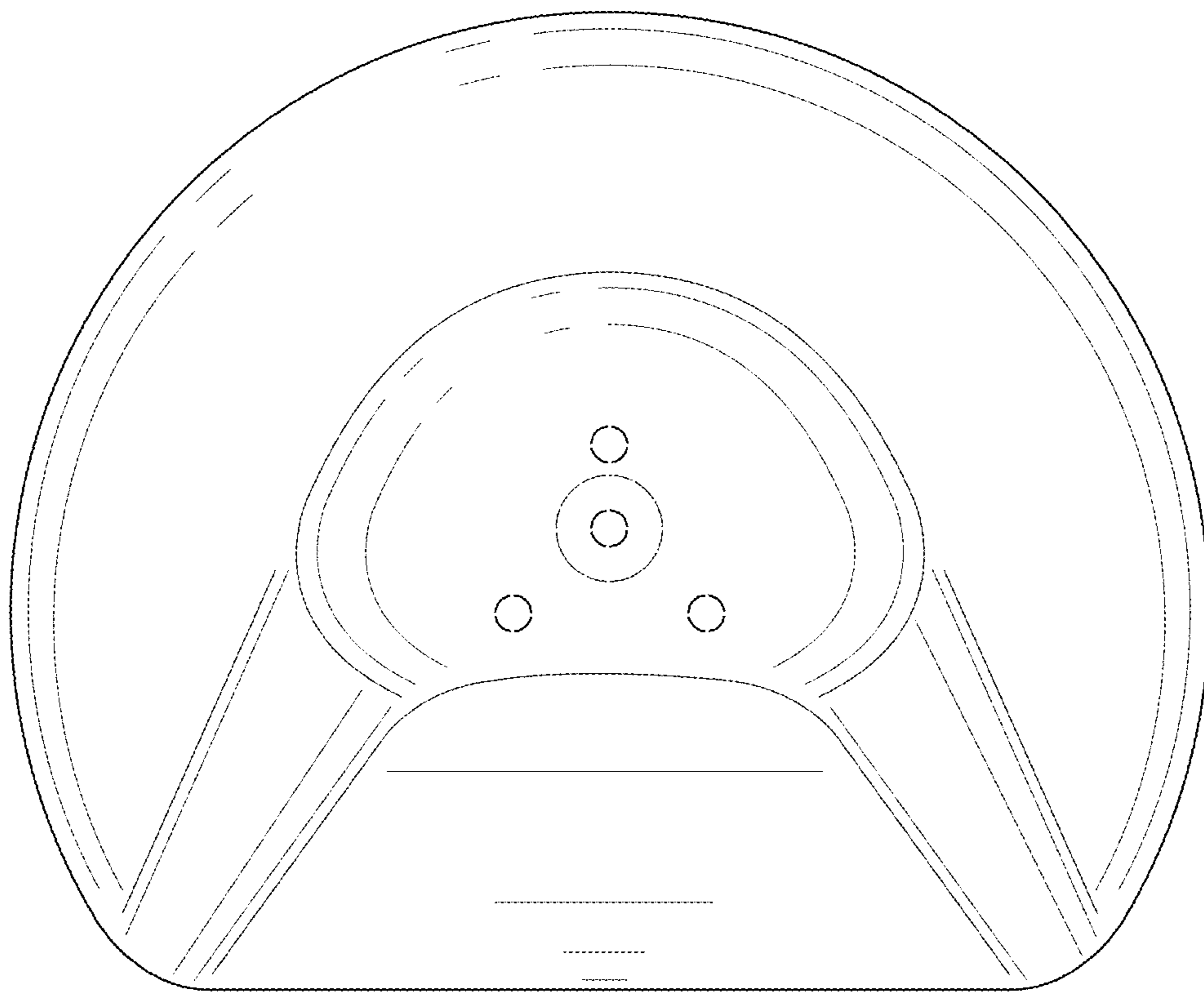


*Fig. 5*



*Fig. 6*





*Fig. 7*

UNITED STATES PATENT AND TRADEMARK OFFICE  
**CERTIFICATE OF CORRECTION**

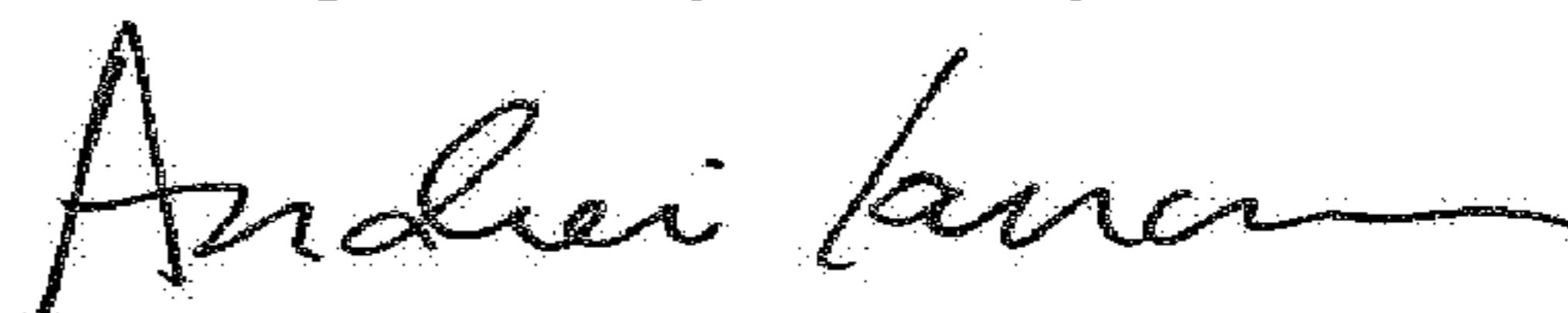
PATENT NO. : D812,187 S  
APPLICATION NO. : 29/558450  
DATED : March 6, 2018  
INVENTOR(S) : Michael Robert Del Ponte et al.

Page 1 of 1

It is certified that error appears in the above-identified patent and that said Letters Patent is hereby corrected as shown below:

Please amend the title of the invention:  
From: WATER INFILTRATION SYSTEM  
To: WATER FILTRATION SYSTEM

Signed and Sealed this  
Eighth Day of May, 2018



Andrei Iancu  
*Director of the United States Patent and Trademark Office*